



**DANGER**

**Danger of electrical shock, burns or death.** Always remove all power sources before attempting any repair, service or diagnostic work. Power can be present from shore power, generator, inverter or battery. All power sources must be disabled and secured before performing any service.

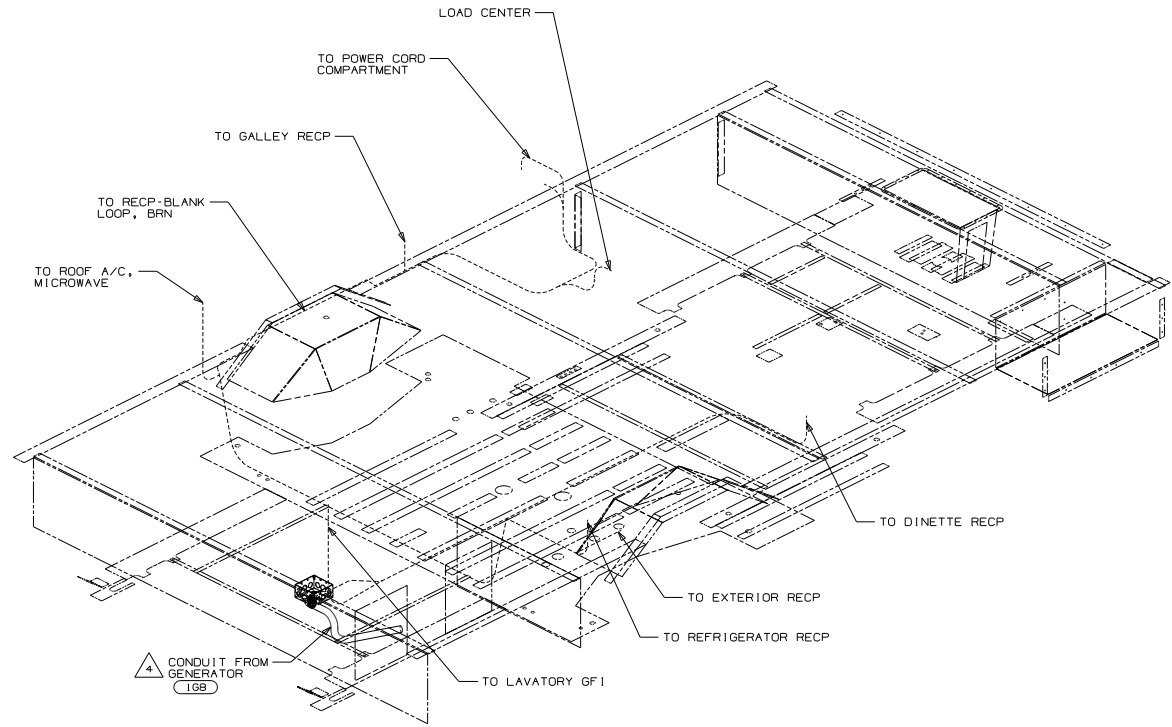


**CAUTION**

If you lack the skills, tools or equipment to perform diagnostic or repair work leave such work to an authorized Winnebago Industries dealer or other qualified shop.

DRAWING NO.	FEATURE
139486-01	-----
139486-11	(1B1) (120)
139486-15	(285) (120)

RELEASE A REV DATE REV DATE ORIG  
 139486



- (1G8) GEN-2.8KW ONAN-GAS-MICROLITE
  - (120) ELECTRICAL SYSTEM-30 AMP
  - (285) CODES/STANDARDS-CSA
  - (1B1) CODES/STANDARDS-USA
- (1B1) (285) (120)

- △ SEE THE GENERATOR INSTALLATION FOR ADDITIONAL INFORMATION.
- ALL GROUND WIRES ARE TO BE COVERED WITH TUBING 8041-02-000.
  - ALL 110V WIRES ARE TO BE CLAMPED WITHIN 200 MM OF ANY BOX OR FITTING.
  - ALL WIRES TO BE SECURED WITH CLAMP 10495-01-000 OR CLIP 80734-01-000 EVERY 600 MM. USE SCREW 667-10-12B UNLESS OTHERWISE SPECIFIED.

FOR ELECTRICAL TORQUE SPECIFICATIONS SEE DWG NO. 128793-01-000	FOR ELECTRICAL CALLOUTS SEE DWG NO. 121339-01-000
--	---

**WINNEBAGO**

ORIG. DATE 05/17/01  
 ALL DIMENSIONS ARE IN MILLIMETERS  
 FIRST USED 02 221B

WHOLE DIM (X)  
 ONE-PLACE (X,X)  
 TWO-PLACE (X,X,X)  
 HOLE

THIRD ANGLE PROJECTION

**DO NOT SCALE DRAWING**

TITLE: WIRING INSTL-BODY, 110V  
 SHEET 1 of 4 PART NO 139486

REF:137265 1 PAGE 54

CLAMP  
10497-01-000  
SCREW  
G11-10-10B

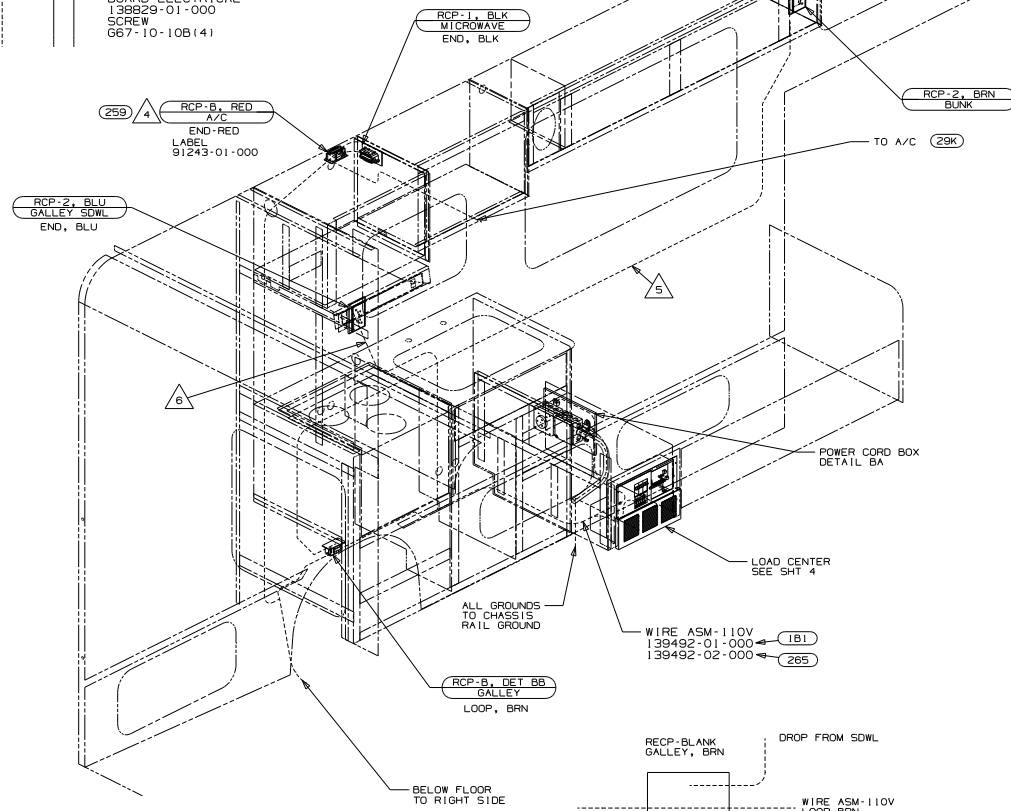
10 AWG UNMARKED  
TO LOAD CENTER

CLAMP  
10497-05-000(2)  
SCREW  
G11-10-10B(2)

BOARD-ELECTRICAL  
138829-01-000  
SCREW  
G67-10-10B(4)

7 1GB J-RCP  
30  
CONNECTIONS  
BLK - GOLD  
WHT - SILVER  
BARE - GRN

DETAIL BA



- 8 SECURE WIRE DROP BACK ALONG MAIN BUNDLE WITH (321)
- 7 INSTALL THE RECEPTACLE WITH THE GROUND OPENING TO THE OUTBOARD SIDE OF THE VEHICLE.
- 6 ROUTE WIRE THRU SOWL.
- 5 WIRE ROUTED IN SOWL.
- 4 TRIM WIRE TO LENGTH AND TERMINATE IN JUNCTION.

3. ALL GROUND WIRES TO BE COVERED WITH TUBING 8041-02-000.
2. ALL WIRING TO BE SECURED WITHIN 200 OF OUTLET BOXES.
- 1 ALL WIRES TO BE CLAMPED WITH CLAMP 10495-01-000 OR CLIP 80734-01-000 EVERY 1200. USE SCREW G67-10-12B UNLESS OTHERWISE SPECIFIED.

NOTES:

- (321) GENERATOR PREP KIT
- (29K) A/C-ROOF, 7100 BTU
- (1GB) GENERATOR 2.8KW GAS ONAN MICRO
- (1A3) GENERATOR-WITHOUT
- (12D) ELECTRICAL SYSTEM 30 AMP
- (259) A/C ROOF-WITHOUT
- (265) CODES/STANDARDS-CSA/CMVSS
- (1B1) CODES/STANDARDS USA
- (12D)

DETAIL BB

FOR ELECTRICAL TORQUE SPECIFICATIONS SEE DWG NO. 128793-01-000

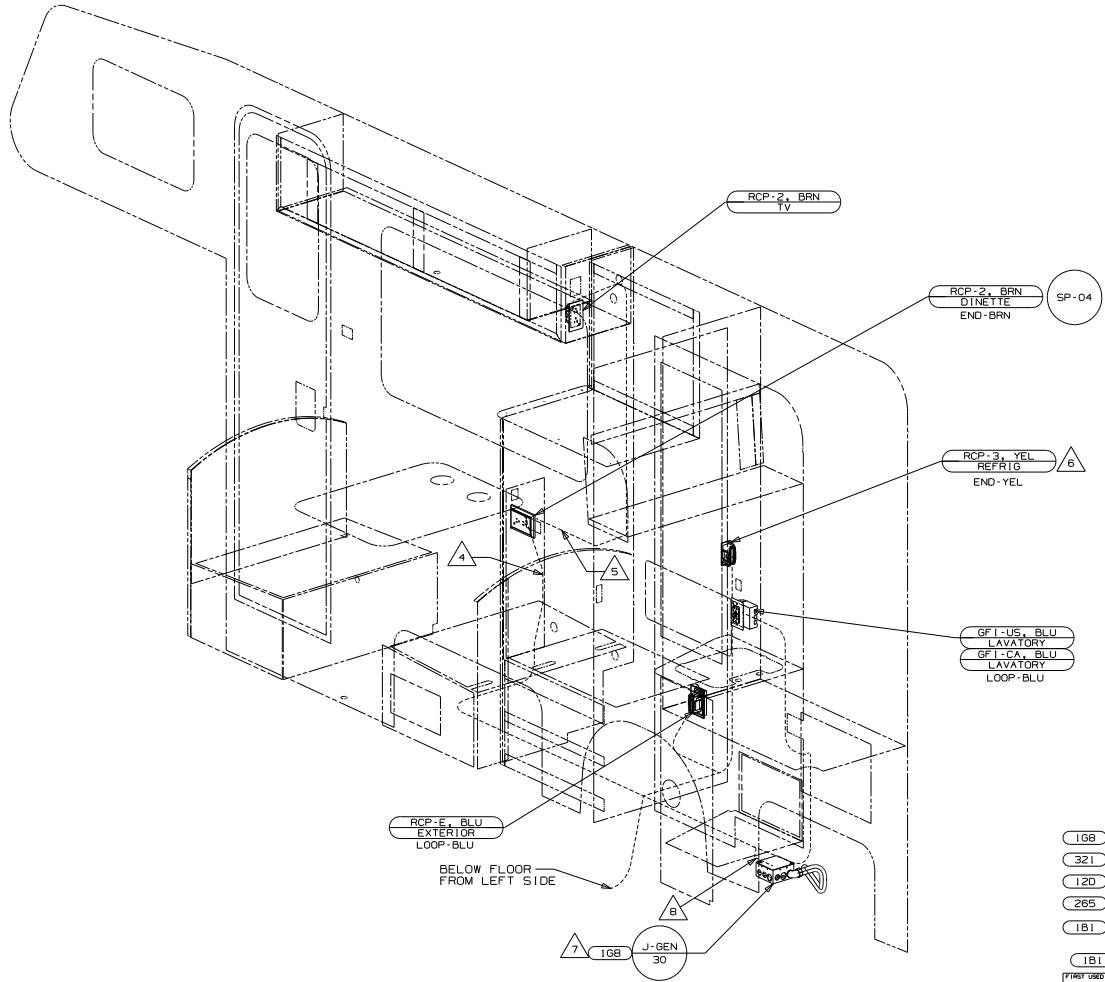
FOR ELECTRICAL CALLOUTS SEE DWG NO. 121339-01-000

FIRST USED 02 221B

DO NOT SCALE DRAWING

TITLE: WIRING INSTL-BODY, 110V

SHEET 2 PART NO 139486



- 8 SECURE WIRE DROP BACK ALONG MAIN BUNDLE WITH (321)
  - 7 SEE GENERATOR INSTL. FOR ADDITIONAL INFORMATION.
  - 6 LOCATE RECEPTACLE ON REFRIGERATOR TIEDOWN BRACKET.
  - 5 WIRE ROUTED IN SIDEWALL.
  - 4 ROUTE WIRE THRU SIDEWALL.
3. ALL GROUND WIRES TO BE COVERED WITH TUBING 8041-02-000.
  2. ALL WIRING TO BE SECURED WITHIN 200 OF OUTLET BOXES.
  1. ALL WIRES TO BE CLAMPED WITH CLAMP 10495-01-000 OR CLIP 80734-01-000 EVERY 1200. USE SCREW 667-10-12B UNLESS OTHERWISE SPECIFIED.

NOTES:

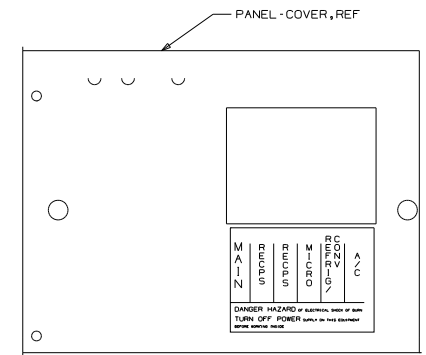
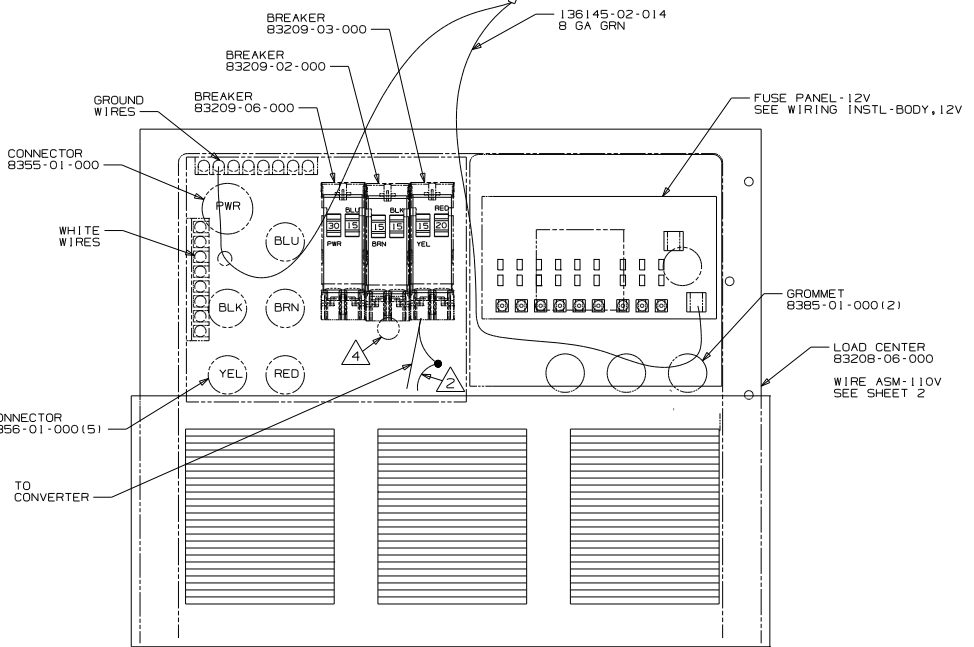
- (1GB) GENERATOR 2.8KW, GAS ONAN MICRO
- (321) GENERATOR PREP KIT
- (12D) ELECTRICAL SYSTEM 30 AMP
- (265) CODES/STANDARDS -CSA/CMVSS
- (1B1) CODES/STANDARDS USA

181	265	12D
FIRST USED		
02 221B		
DO NOT SCALE DRAWING		
TITLE: WIRING INSTL-BODY, 110V		
SHEET 3	PART NO 139486	

FOR ELECTRICAL TORQUE SPECIFICATIONS SEE DWG NO 128793-01-000

FOR ELECTRICAL CALLOUTS SEE DWG NO 121339-01-000





- NOTES:
- 1. COVER ALL GROUND WIRES WITH TUBING 8041-02-000.
  - 2. MAKE CONNECTIONS TO PROVIDED CONVERTER LEAD WITH SUPPLIED NUT CONNECTOR.
  - 3. SEE WIRING DIAGRAM-BODY,110V FOR CIRCUIT LAYOUTS.
  - 4. SECURE WIRE BUNDLE TO LOAD CENTER- BACK SIDE- WITH WIRE TIE 116673-01-000, USING EXISTING HOLE.

- 120 ELECTRICAL SYSTEM-30 AMP
- 265 CODES/STANDARDS-CSA
- 1B1 CODES/STANDARDS-USA

1B1 265 120

FIRST USED	02 221B
DO NOT SCALE DRAWING	
TITLE:	WIRING INSTL-BODY, 110V
SHEET 4	PART NO 139486

FOR ELECTRICAL TORQUE SPECIFICATIONS SEE DWG NO. 128793-01-000

FOR ELECTRICAL CALLOUTS SEE DWG NO. 121339-01-000