

TABLE OF CONTENTS

2002 ULTIMATE ADVANTAGE & ULTIMATE FREEDOM "Q-SERIES" WIRING DIAGRAM BOOK

Wiring Diagram – Automotive	Page 1-7
Wiring Diagram – Auto Lamps	8-10
Wiring Installation – Front End	11-20

Q36C

Wiring Diagram – Body, 12 Volt	21-35
Wiring Diagram – Body, 110 Volt	36
Wiring Installation – Body, 12 Volt	37-42
Wiring Installation – Body, 110 Volt	43-46
Wiring Installation – Chassis	47-48

Q38K

Wiring Diagram – Body, 12 Volt	49-68
Wiring Diagram – Body, 110 Volt	69
Wiring Installation – Body, 12 Volt	70-75
Wiring Installation – Body, 110 Volt	76-79
Wiring Installation – Chassis	80-81

Q40E

Wiring Diagram – Body, 12 Volt	82-95
Wiring Diagram – Body, 110 Volt	96
Wiring Installation – Body, 12 Volt	97-103
Wiring Installation – Body, 110 Volt	104-109
Wiring Installation – Chassis	110-111

Q40J/JD

Wiring Diagram – Body, 12 Volt	112-132
Wiring Diagram – Body, 110 Volt	133
Wiring Installation – Body, 12 Volt	134-140
Wiring Installation – Body, 110 Volt	141-146
Wiring Installation – Chassis	147-148

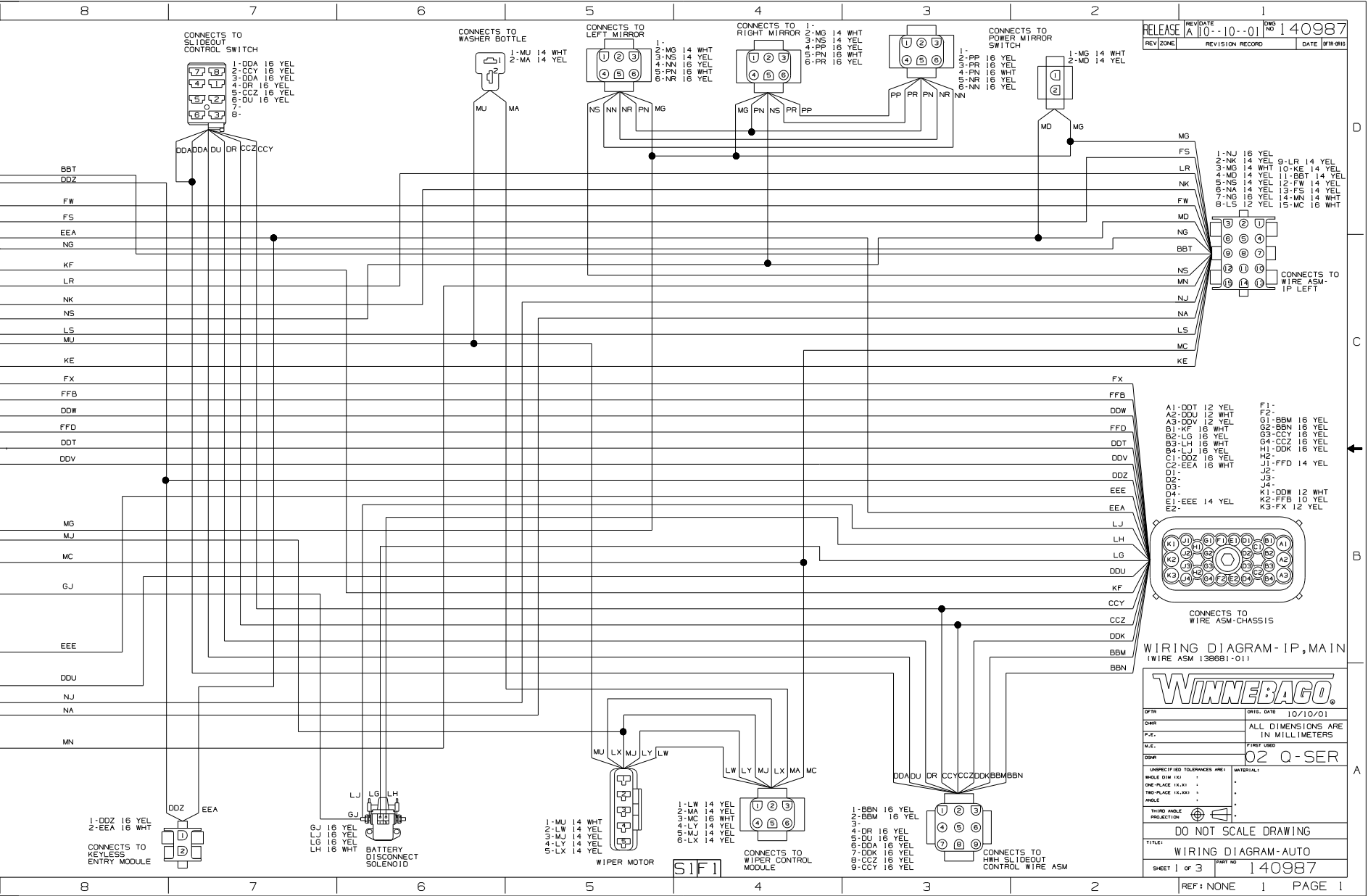
Q40WD

Wiring Diagram – Body, 12 Volt	149-162
Wiring Diagram – Body, 110 Volt	163
Wiring Installation – Body, 12 Volt	164-169
Wiring Installation – Body, 110 Volt	170-174
Wiring Installation – Chassis	175-176

110 Volt Load Center/Auto Transfer Switch	177-179
Wiring Installation – Exterior Lamps	180-181
Wiring Diagram – Holding Tanks	182
Wiring Installation – TV/VCR	183
Dash Radio Installation	184
Holding Tanks Monitor Panel	185-187
Wiring Diagram – AC/Heat/EMS	188

Appendix

Electrical Parts Identification List	A1-A7
Wiring Identification Guide	B1-B41



WIRING DIAGRAM-IP, MAIN
 (WIRE ASM 13681-011)

CONNECTS TO WIRE ASM-CHASSIS

CONNECTS TO WIRE ASM-IP LEFT

WINNEBAGO

DATE: 10/10/01

ALL DIMENSIONS ARE IN MILLIMETERS

FIRST USED

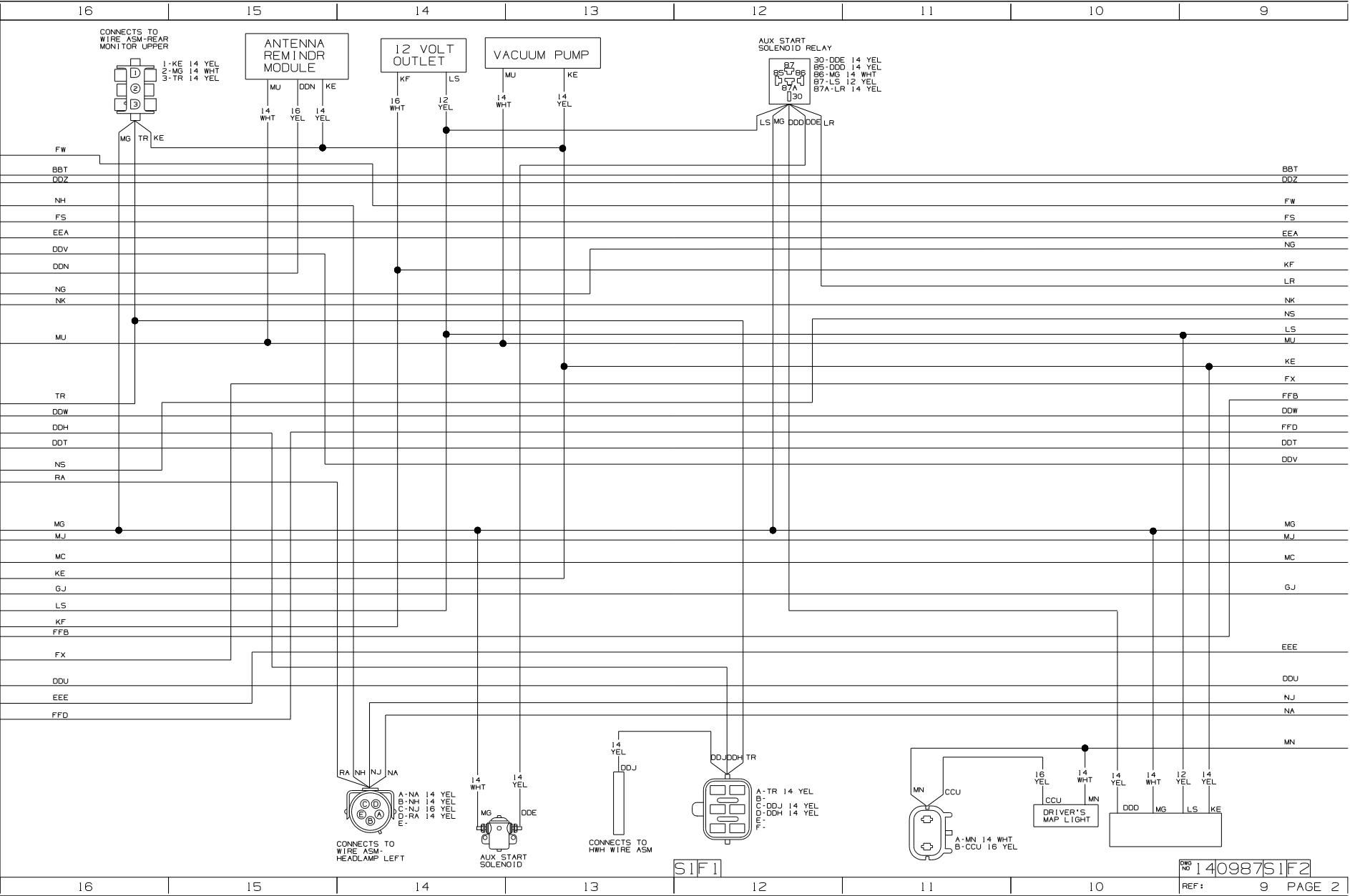
02 Q-SER

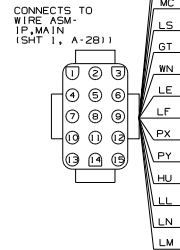
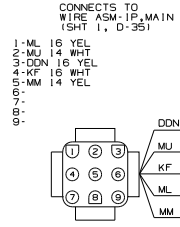
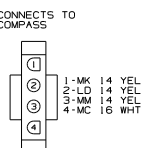
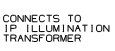
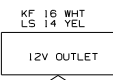
DO NOT SCALE DRAWING

WIRING DIAGRAM-AUTO

SHEET 1 OF 3 PART NO 140987

REF: NONE 1 PAGE 1





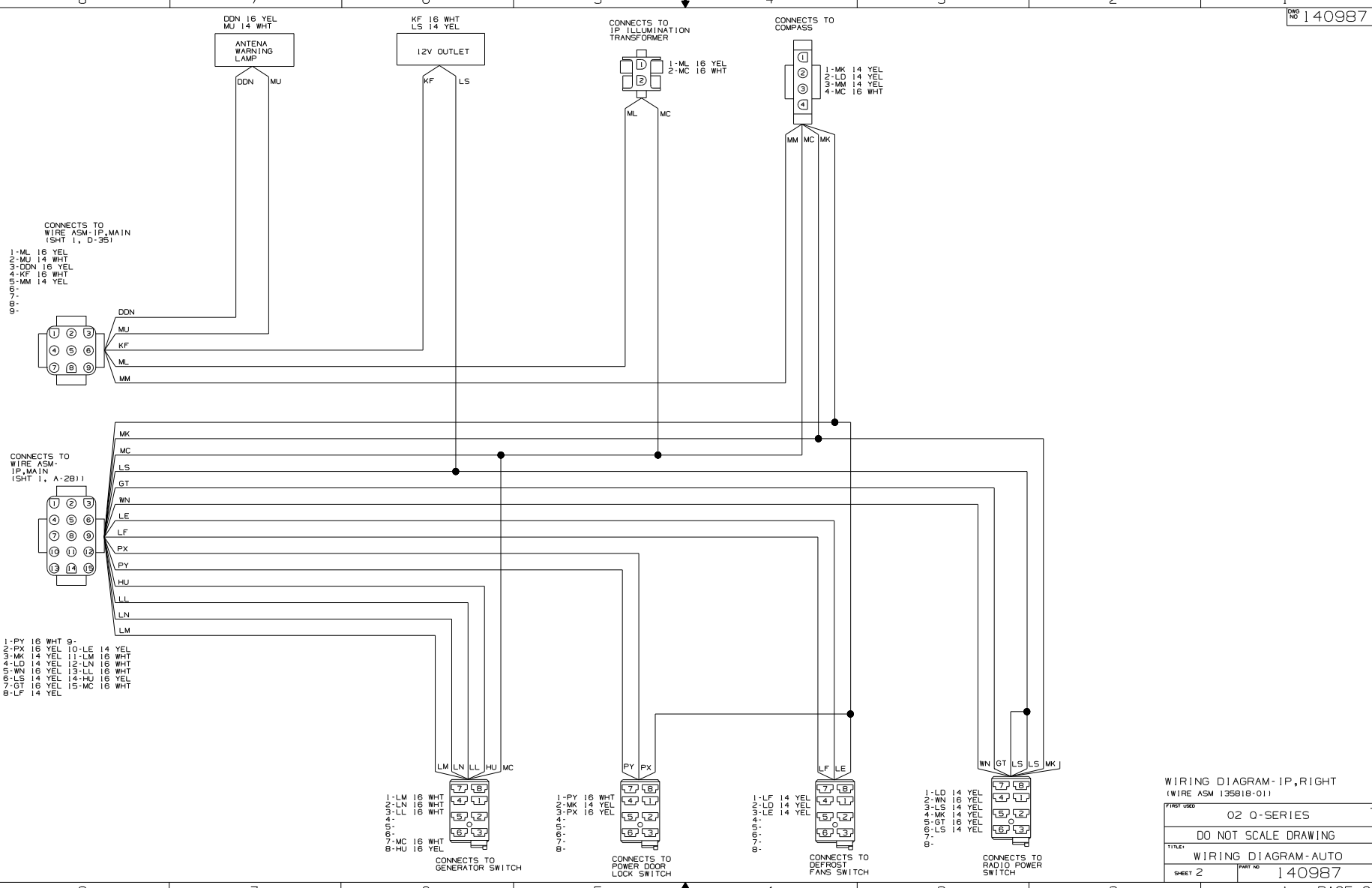
- 1-PY 16 WHT 9-
- 2-PX 16 YEL 10-LE 14 YEL
- 3-MK 14 YEL 11-LM 16 WHT
- 4-LD 14 YEL 12-LN 16 WHT
- 5-WN 16 YEL 13-LL 16 WHT
- 6-LS 14 YEL 14-HU 16 YEL
- 7-GT 16 YEL 15-MC 16 WHT
- 8-LF 14 YEL

- 1-LM 16 WHT
- 2-LN 16 WHT
- 3-LL 16 WHT
- 4-
- 5-
- 6-
- 7-MC 16 WHT
- 8-HU 16 YEL

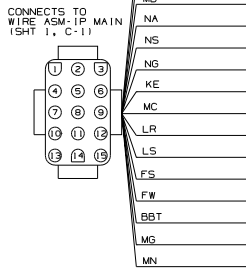
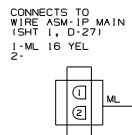
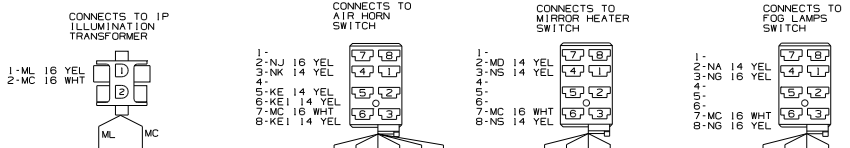
- 1-PY 16 WHT
- 2-MK 14 YEL
- 3-PX 16 YEL
- 4-
- 5-
- 6-
- 7-
- 8-

- 1-LF 14 YEL
- 2-LD 14 YEL
- 3-LE 14 YEL
- 4-
- 5-
- 6-
- 7-
- 8-

- 1-LD 14 YEL
- 2-WN 16 YEL
- 3-LS 14 YEL
- 4-MK 14 YEL
- 5-GT 16 YEL
- 6-LS 14 YEL
- 7-
- 8-

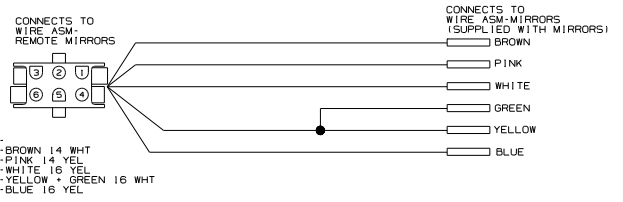
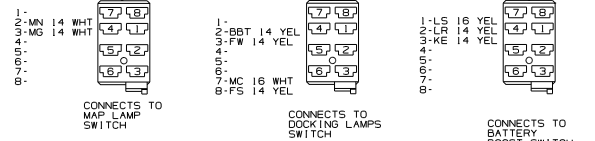


WIRING DIAGRAM-IP,RIGHT (WIRE ASM 135818-01)	
FIRST USED 02 0-SERIES	
DO NOT SCALE DRAWING	
TITLE: WIRING DIAGRAM-AUTO	
SHEET 2	PART NO 140987



- 1-NJ 16 YEL
- 2-NK 14 YEL
- 3-MG 14 WHT
- 4-MD 14 YEL
- 5-NS 14 YEL
- 6-NA 14 YEL
- 7-NG 16 YEL
- 8-LS 16 YEL
- 9-LR 14 YEL
- 10-KE 14 YEL
- 11-BBT 14 YEL
- 12-FW 14 YEL
- 13-FS 14 YEL
- 14-MN 14 WHT
- 15-MC 16 WHT

WIRING DIAGRAM IP, LEFT (WIRING ASM 135817-02)



WIRING DIAGRAM MIRROR (WIRE ASM 130050-01)

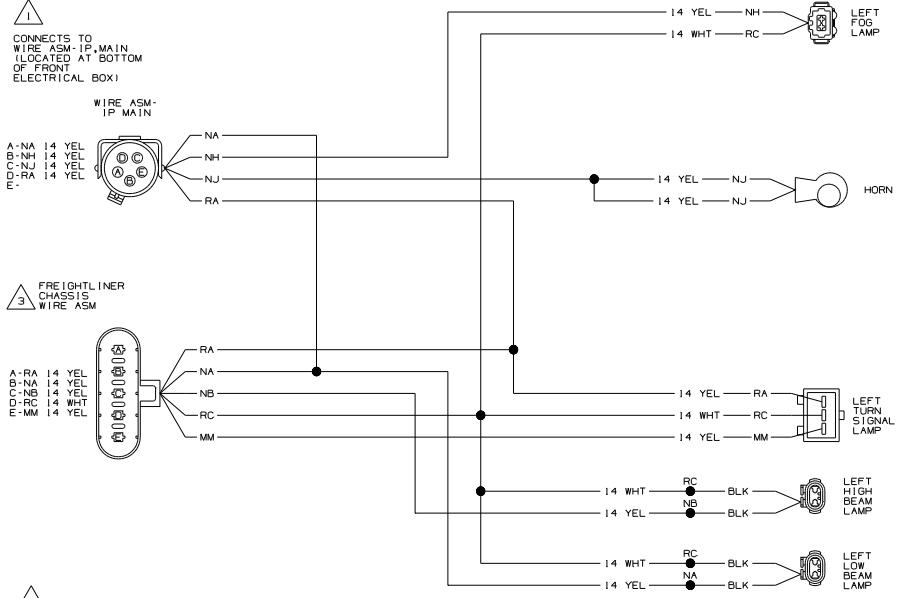
FIRST USED	02 0-SERIES	
TITLE	DO NOT SCALE DRAWING	
	WIRING DIAGRAM-AUTO	
SHEET 3	PART NO	140987



WIRING DIAGRAM-LAMP, SIDEMARKER
 (CENTER LEFT)
 (WIRE ASM 107775-04)

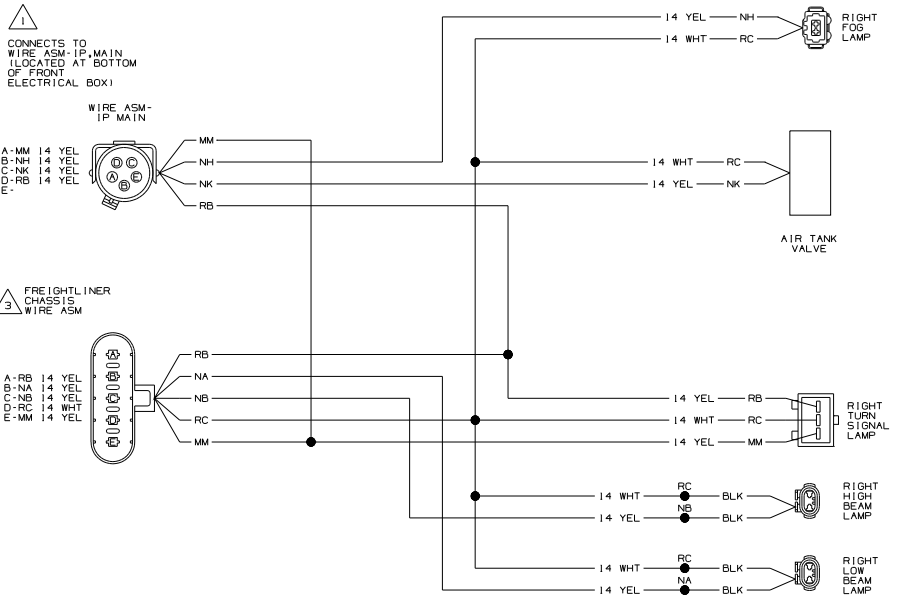


WIRING DIAGRAM-LAMP, SIDEMARKER
 (CENTER RIGHT)
 (WIRE ASM 107775-04)



WIRING DIAGRAM-HEADLAMP, LEFT
 (WIRE ASM 132275-01)

- NOTES:
- 3 SEE MANUFACTURER'S DIAGRAM FOR ADDITIONAL INFORMATION.
 - 2 SEE WIRING DIAGRAM-BODY FOR ADDITIONAL INFORMATION.
 - 1 SEE WIRING DIAGRAM AUTO FOR ADDITIONAL INFORMATION.



WIRING DIAGRAM-HEADLAMP, RIGHT
 (WIRE ASM 132276-01)

WINNEBAGO

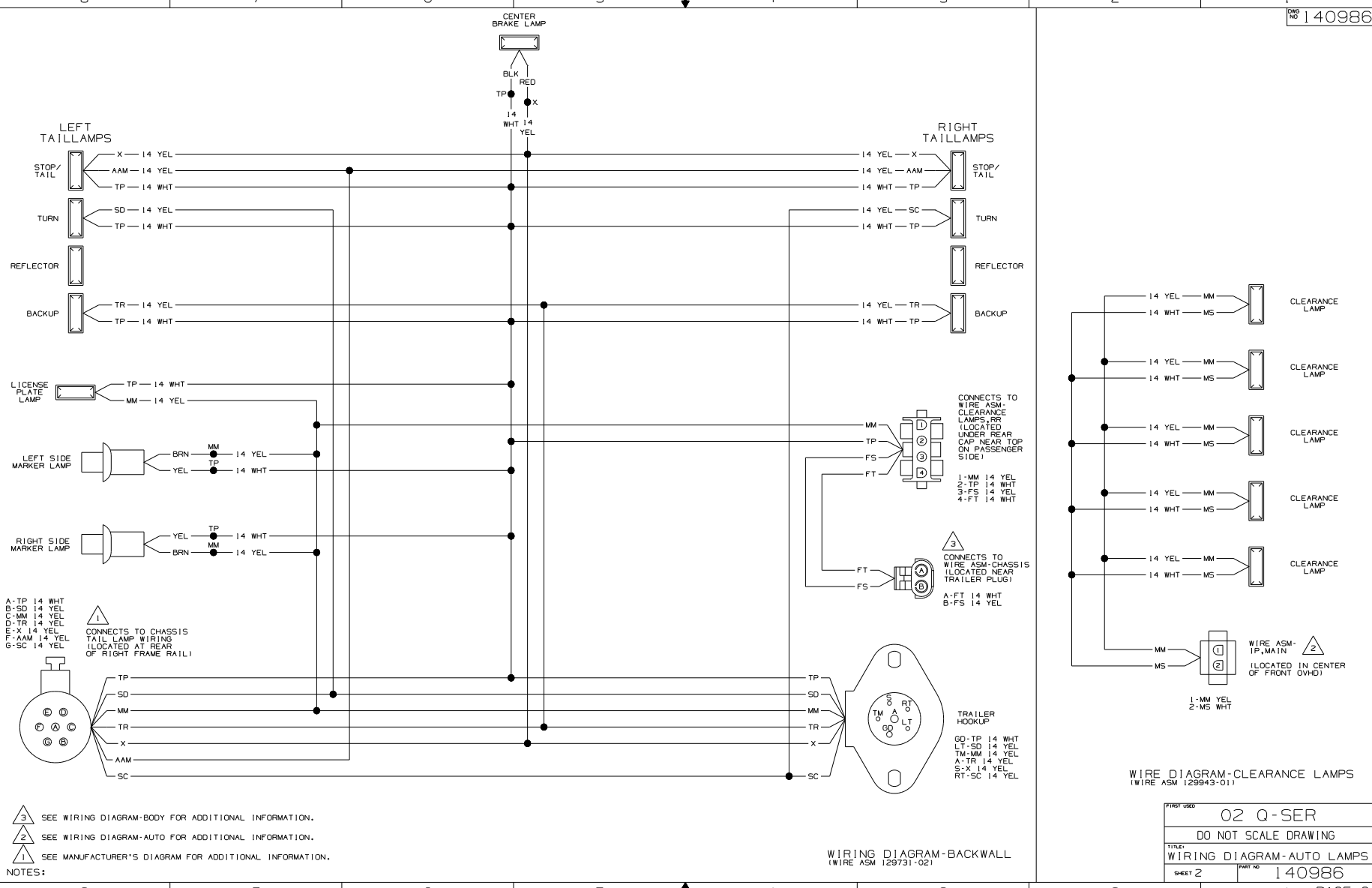
DATE 10/16/01
 DWG NO 140986
 P.L.E. ALL DIMENSIONS ARE IN MILLIMETERS
 M.E. FIRST USED
 DWG NO 02 Q-SER

UNSPECIFIED TOLERANCES ARE:
 THRU-PLATE .015
 ONE-PLACE .015
 TWO-PLACE .015
 HOLE .015

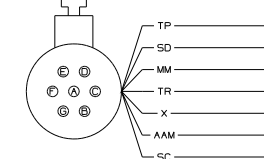
MATERIAL:
 THIRD ANGLE PROJECTION

DO NOT SCALE DRAWING

TITLE: WIRING DIAGRAM-AUTO LAMPS
 SHEET 1 of 3 PART NO 140986



- A-TP 14 WHT
- B-SD 14 YEL
- C-MM 14 YEL
- D-TR 14 YEL
- E-X 14 YEL
- F-AAM 14 YEL
- G-SC 14 YEL

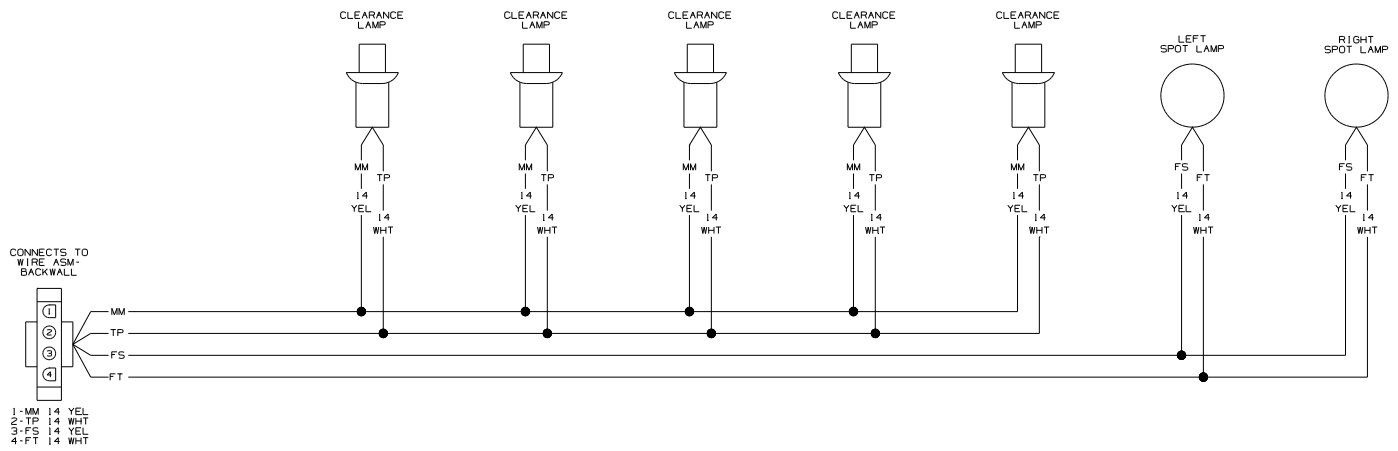


- 3 SEE WIRING DIAGRAM-BODY FOR ADDITIONAL INFORMATION.
- 2 SEE WIRING DIAGRAM-AUTO FOR ADDITIONAL INFORMATION.
- 1 SEE MANUFACTURER'S DIAGRAM FOR ADDITIONAL INFORMATION.

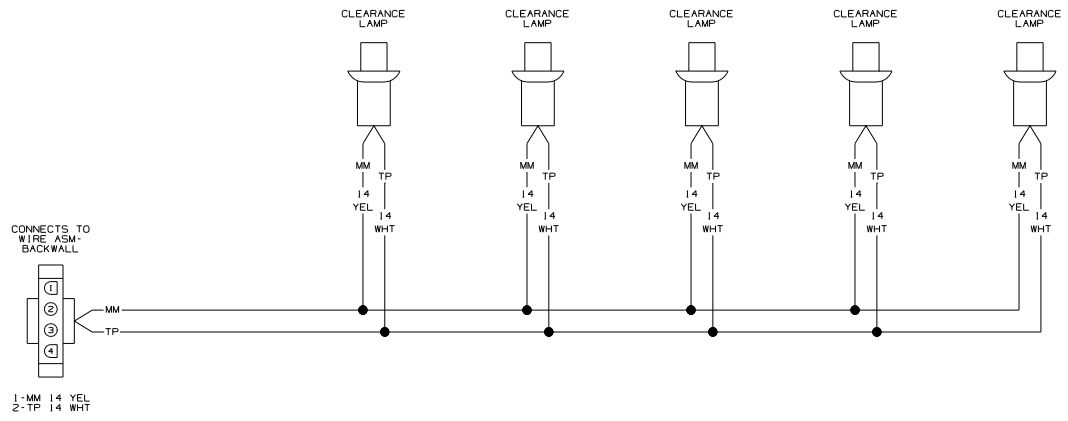
WIRING DIAGRAM-BACKWALL
(WIRE ASM 129731-02)

WIRE DIAGRAM-CLEARANCE LAMPS
(WIRE ASM 129943-01)

FIRST USED		02 Q-SER	
DO NOT SCALE DRAWING			
TITLE:			
WIRING DIAGRAM-AUTO LAMPS			
SHEET 2	PART NO		140986



WIRE DIAGRAM-CLEARANCE LAMPS
(WIRE ASM 129365-01)
(WITH ALT FREEDOM)

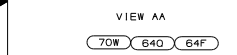
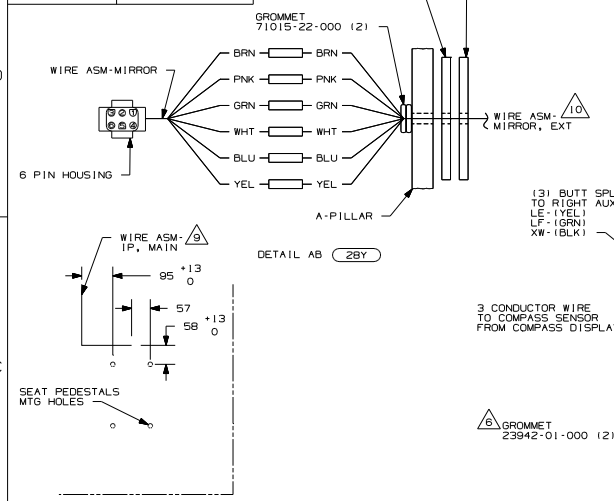


WIRE DIAGRAM-CLEARANCE LAMPS
(WIRE ASM 129365-02)
(WITH ALT ADVANTAGE)

FIRST USED	02 Q-SER
DO NOT SCALE DRAWING	
TITLE:	WIRING DIAGRAM-AUTO LAMPS
SHEET 3	PART NO 140986

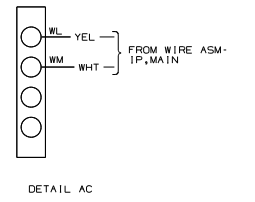
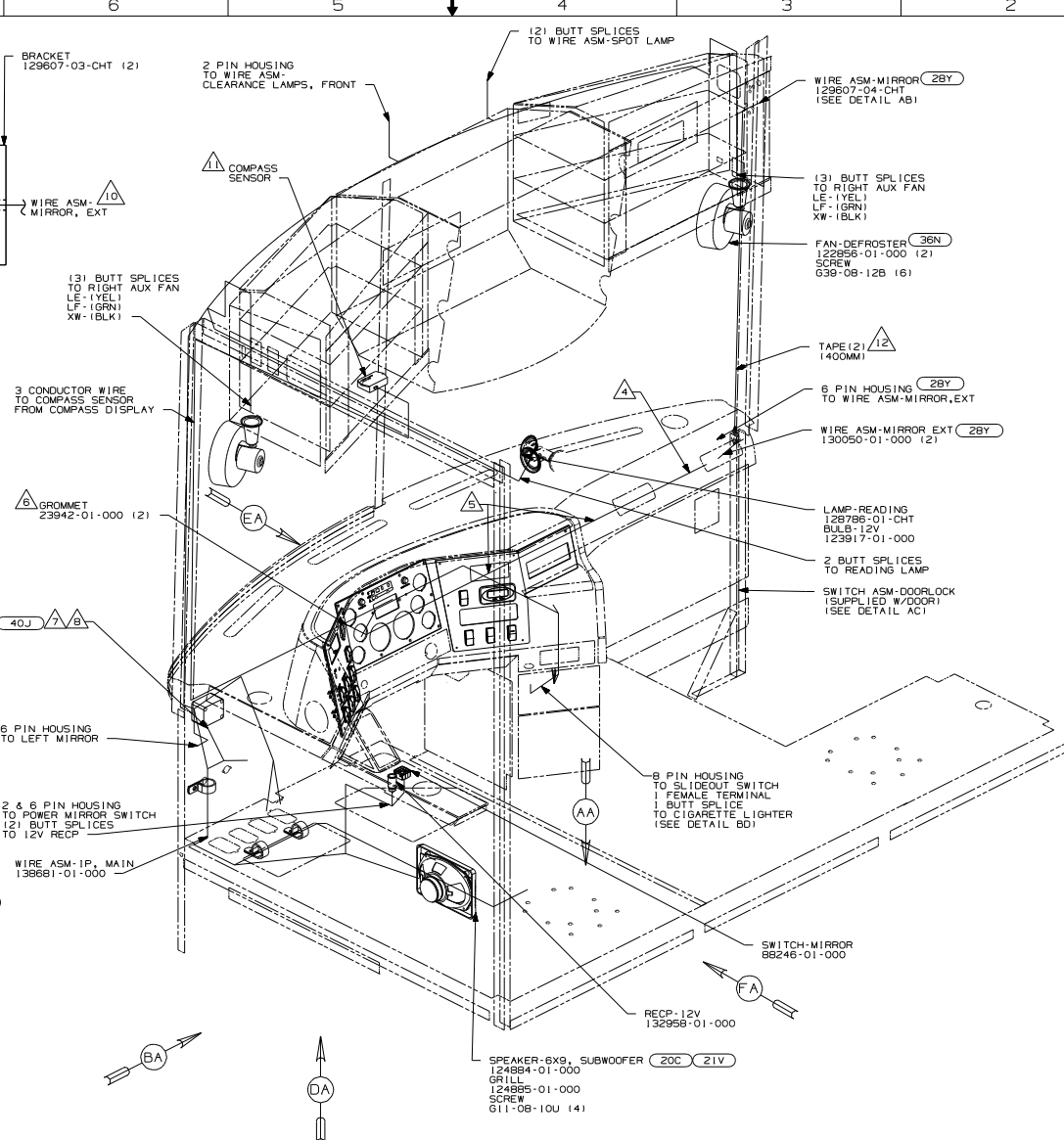
DWG NO	MODEL
138670-01	03BC, 03BK, 040J
138670-02	040WD, 040JD

PREVIOUS REV. DATE 03-20-01 DWG NO 138670
 REVISION RECORD DATE 07/98



- 12 USE TAPE 136748-01 TO SECURE WIRES IN A-POST.
 - 11 SCREW TO ROOF IN SIDE OVHD CABT SO THAT SENSOR FACES FORWARD AS STATED ON SENSOR LABEL.
 - 10 WIRE ASM-MIRROR SHOULD BE INSTALLED THROUGH SPACER, MOUNTINGS PLATES, & HOLE IN PILLAR BEFORE SPLICING TO WIRE ASM-MIRROR, EXT
 - 9 WIRE ASM MAY BE ROUTED ON EITHER SIDE OF HOLE PATTERN DISTANCE SHOWN AT END POINT OF PATH, LEAVE 675MM ± 50MM OF WIRE.
 - 8 SEE ANTENNA INSTL-CB
 - 7 GATHER RED AND BLK WIRES ON WIRE ASM-IP, MAIN AND CB ANTENNA CABLE AND WRAP WITH LABEL (SEE DETAIL FB)
 - 6 ROUTE UNDER HOOD WIRING THRU HOLE. SEE SHT 12 FOR ADDITIONAL INFORMATION.
 - 5 USE TIE WIRE MOUNT 92901-01-000 AND TIE WIRE 93147-01-000 TO SECURE WIRE ASM-IP, MAIN.
 - 4 USE TAPE 8363-01-000 TO SECURE WIRE ASM-IP, MAIN CHASSIS SUPPLIED WIRE ASM-IP, CRUISE WIRING AND HEATER A/C WIRES TOGETHER EVERY 300 IN THIS AREA AFTER ROUTING AND MAKING ALL CONNECTIONS.
 - 3 ROUTING FOR (28Y) ON INTERIOR OF BULKHEAD.
- 2 REPLACE FLASHER WITH 7093-01 (2EA).
- 1 FOR ADDITIONAL INFORMATION SEE WIRING INSTL-CHASSIS.

NOTES:



- 40J CB RADIO PREP
- 20C SOUND SYS. DLX. W/O-SURROUND
- 70W SEATS-CAB-LTHR FACED, W/PWR
- 64D SEAT PED-6-WAY POWER DRIVER
- 64F SEAT PED-6-WAY DR/PASS POWER
- 36N FANS-DEFROSTER, AUXILIARY
- 28Y MIRRORS-BUS WITH DEFROST
- 21V SOUND SYSTEM DELUXE

WINNEBAGO

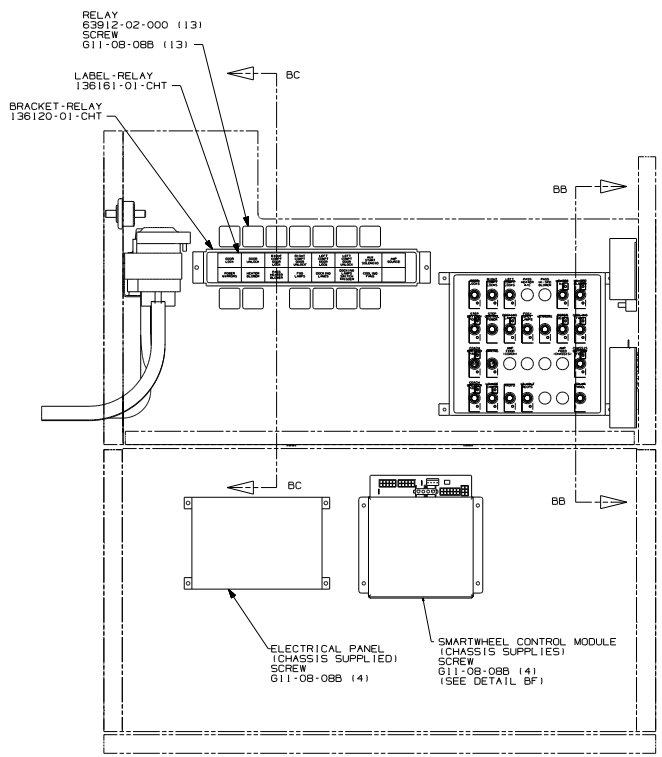
DATE 01/30/01
 DWG ALL DIMENSIONS ARE IN MILLIMETERS
 P.E.
 W.E. FIRST USED
 DWG 02 0-SERIES

UNSPECIFIED TOLERANCES ARE:
 HOLE DIA (X) ± .1
 ONE-PLACE (X, X) ± 1.5
 TWO-PLACE (X, X) ± 0.50
 HOLE ± .1

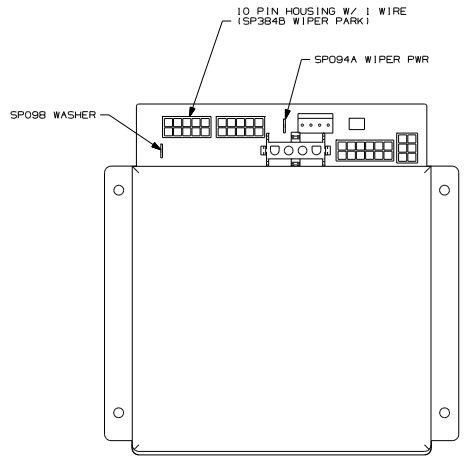
THIRD ANGLE PROJECTION

DO NOT SCALE DRAWING

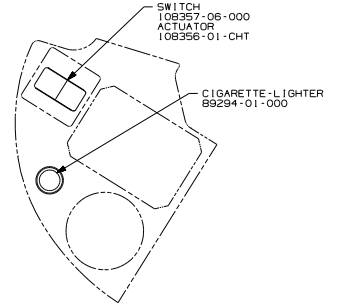
TITLE: WIRING INSTL-FRONT END
 SHEET 1 of 10 PART NO 138670



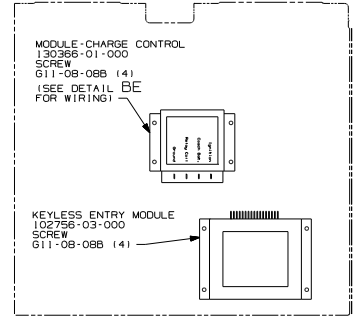
VIEW BA



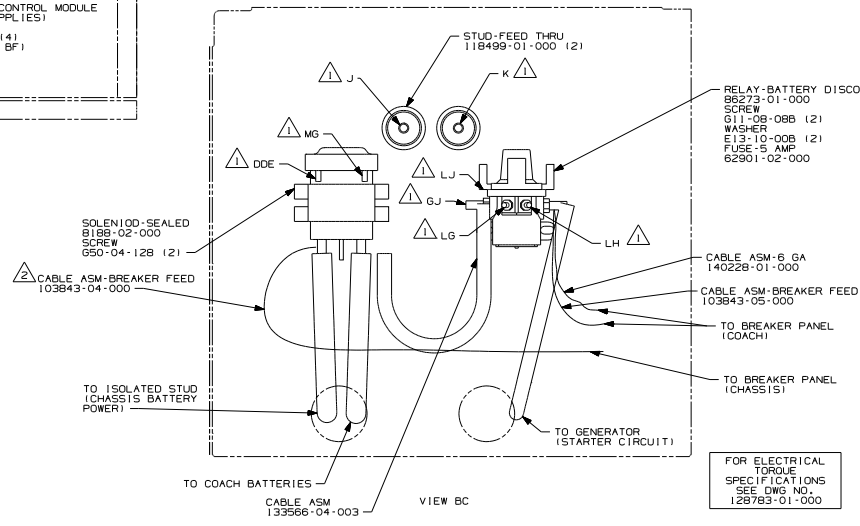
DETAIL BF
(WIRING CHASSIS SUPPLIED)



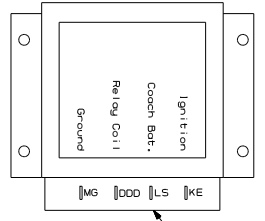
VIEW BD



VIEW BE



VIEW BC



DETAIL BE

2 ASM IS MARKED WITH TAPE NEAR TERMINAL.

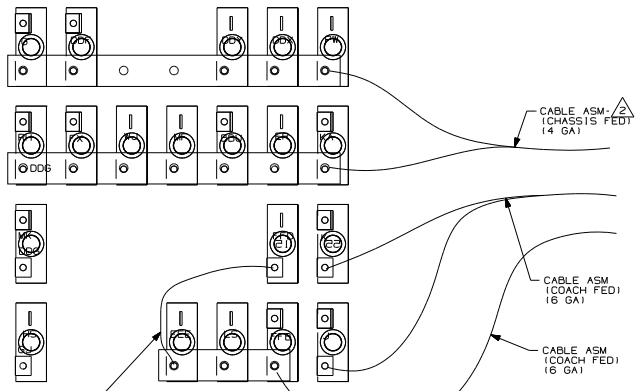
1 CIRCUITS BRANCH FROM WIRE ASM-IP, MAIN.

NOTES:

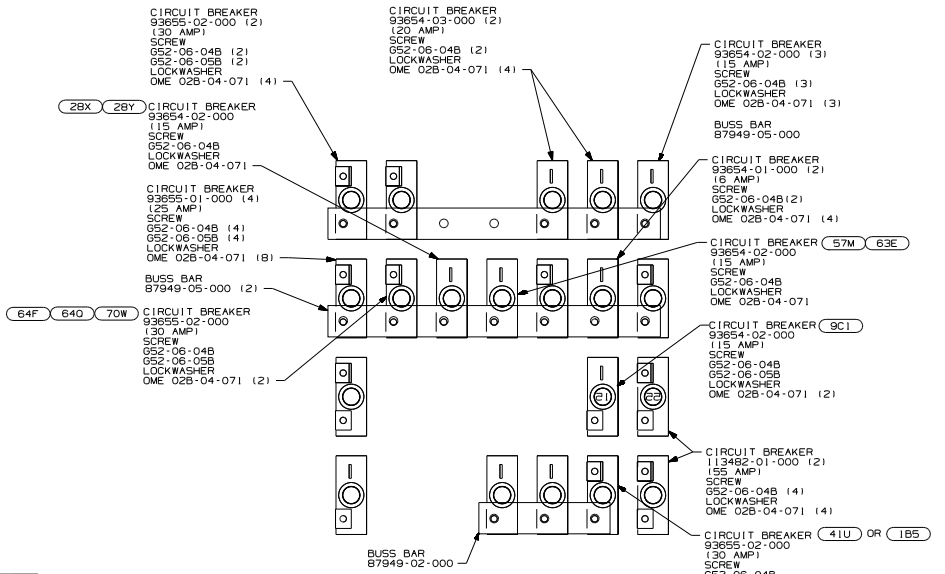
FOR ELECTRICAL TORQUE SPECIFICATIONS SEE DWG NO 128793-01-000

FOR ELECTRICAL CALLOUTS SEE DWG NO 121339-01-000

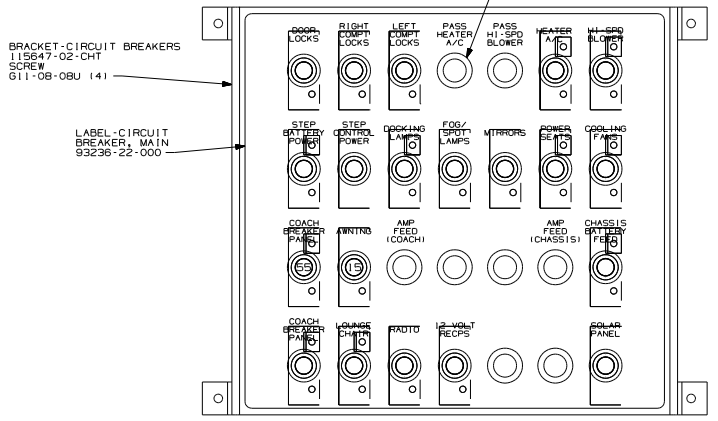
FIRST ORG	02 0-SERIES
DO NOT SCALE DRAWING	
TITLE	WIRING INSTL-FRONT END
SHEET 2	PART NO 138670



VIEW CA
 (BACK VIEW-WIRING) 4



VIEW CA
 (BACK VIEW-COMPONENTS)



VIEW CA

- 9C1 AWNING-ELECTRIC PACKAGE
- 1B5 COMPUTER DESK/WORKSTATION
- 41U RECLINER W/HEAT & MASSAGE
- 70W SEATS-CAB-LTHR-FACED W/PWR
- 64Q SEAT PED-6-WAY POWER DRIVER
- 28Y SEAT PED-8-WAY DR/PASS POWER
- 28X MIRRORS-EXTERIOR W/DEFROST
- 63E SPOTLIGHT
- 57M LAMPS-FOG
- 786 DUAL CLIMATE CONTROL SYSTEM

- 4 CIRCUITS FROM WIRE ASM-IP, MAIN NOT SHOWN FOR CLARITY.
- 3 CIRCUITS FROM WIRE ASM-SOURCE SELECTOR.
- 2 ADD TAPE NEAR TERMINAL CONNECTING TO SOLENOID.
- 1 040JD & 038WD ONLY

NOTES:

FOR ELECTRICAL TORQUE SPECIFICATIONS SEE DWG NO. 128793-01-000

FOR ELECTRICAL CALLOUTS SEE DWG NO. 121339-01-000

FIRST USED	02 0-SERIES
DO NOT SCALE DRAWING	
TITLE: WIRING INSTL-FRONT END	
SHEET 3	PART NO 138670

8 7 6 5 4 3 2 1

D

C

B

A

D

C

B

A

MODULE-TIMER
133535-01-000
SCREW
685-08-20B
(SEE DETAIL DB)

6 PIN HOUSING
TO WIRE ASM-
GPS ADAPTER Δ

TO HEADLAMP SWITCH
8 PIN HOUSING
TO EXHAUST BRAKE

TO GROUND
BOLTS
FILTER-NOISE
128074-02-000
SCREW
611-08-08B (2)

(2) 2 PIN HOUSINGS
TO NOISE FILTER

CLAMP-CLOSED
10457-04-000 (3)
SCREW
639-08-08T (3)

2, 4 & 6 PIN HOUSINGS
TO CHASSIS IP WIRE ASM
(2) 30 PIN HOUSINGS
TO WIRE ASM-CHASSIS

BRACKET-MOUNTING
118571-03-000 (2)
GASKET
118571-04-000 (2)
NUT
D11-10-00B (4)

VIEW DA
WINNEBAGO WIRING

TO SHIFTER CONTROL

TRIM VINYL
113452-01-000
(ALL AROUND
BOTH SIDES)

TO CHASSIS CLUSTER

TO STEERING
COLUMN WIRING

SEAL Δ
SEAL-WIRES,CAB FLOOR
134542-01-CHT (2)
FOAM
110744-01-000 (A/R)
SCREW
639-10-12B (6)

TO THROTTLE
PEDAL WIRING

2, 4 & 6 PIN HOUSINGS
TO WIRE ASM-IP, MAIN Δ

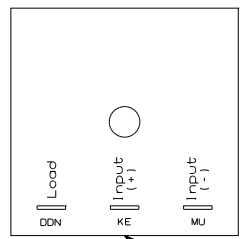
30 & 32 PIN HOUSINGS

VIEW DA
CHASSIS WIRING

- Δ SEE WIRING INSTL-GPS FOR ADDITIONAL INFORMATION
- Δ ROUTE PARK BRAKE VALVE AND AIR LINES FOR DASH GAUGES THRU HERE. COVER WITH CONVOLUTE TUBING 41953 WHERE VISIBLE.
- Δ DO NOT USE SEAT BELT 2 PIN HOUSING.

1. BUNDLE AND SECURE ALL EXCESS WIRE.

NOTES:

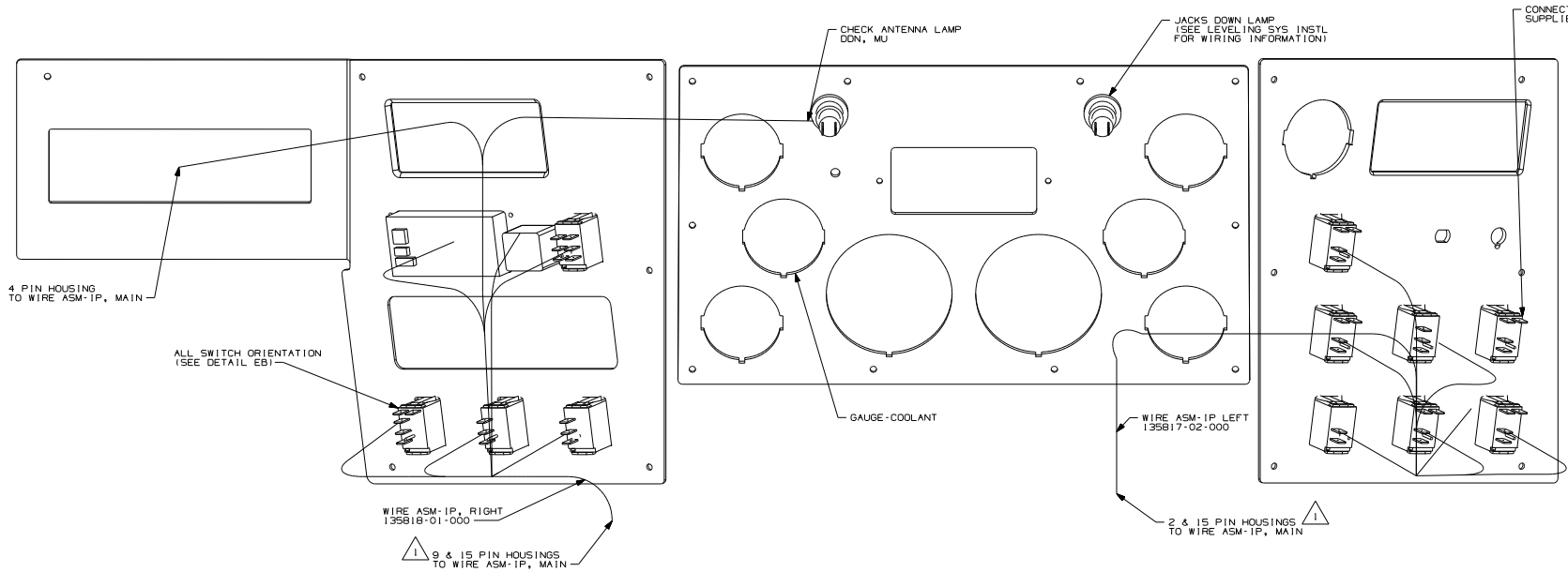


CIRCUITS FROM
WIRE ASM-IP,MAIN

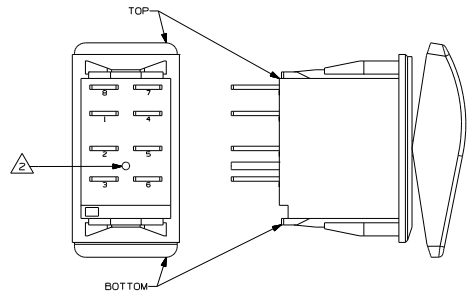
DETAIL DB

FIRST USED	02 0-SERIES
TITLE:	DO NOT SCALE DRAWING
WIRING INSTL-FRONT END	
SHEET 4	PART NO 138670

8 7 6 5 4 3 2 1



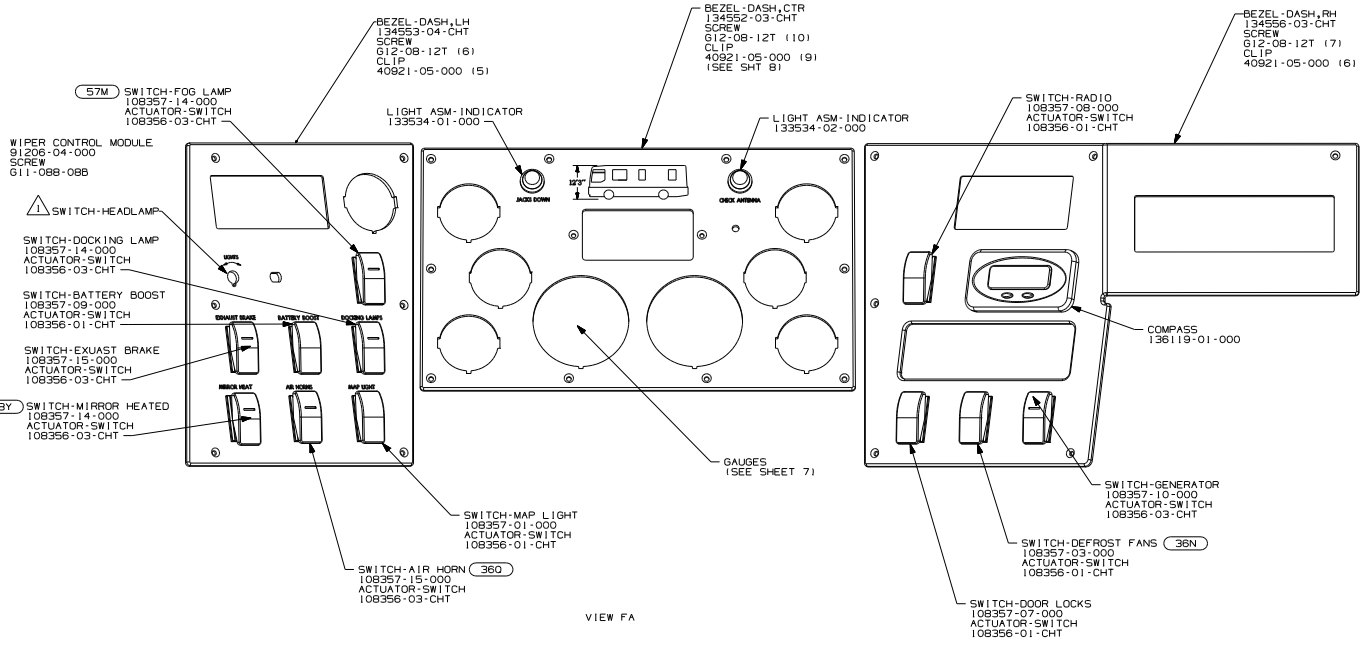
VIEW EA



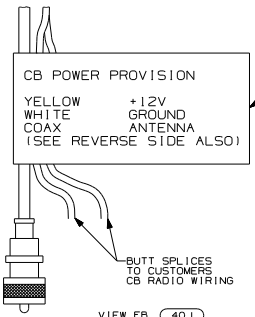
DETAIL EB

- NOTES:
- 2 HOUSING ALIGNMENT POST SHALL BE TOWARD THE BOTTOM OF THE SWITCH CUTOUT.
 - 1 HOUSINGS FROM WIRE ASM-IP,MAIN ARE TO BE MOUNTED IN SUPPORT-DASH.

FIRST USED	02 0-SERIES
DO NOT SCALE DRAWING	
TITLE:	WIRING INSTL-FRONT END
SHEET 5	PART NO 138670



VIEW FA



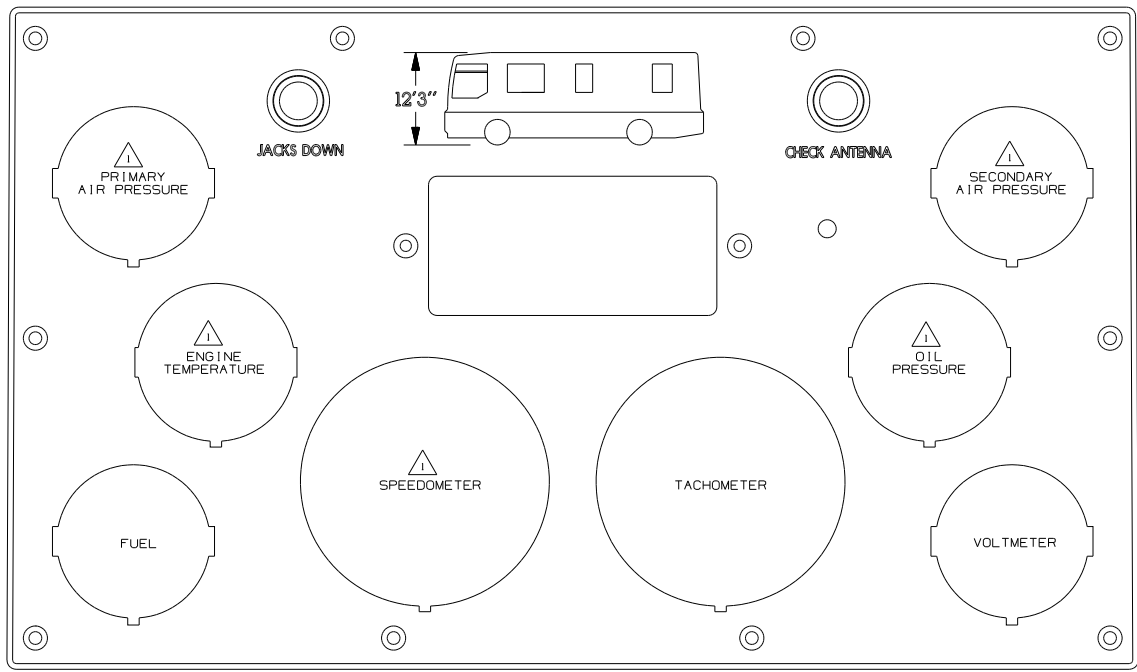
VIEW FB 40J

- 3 040JD AND 040WD ONLY.
- 36C, 036C, 036K, 040J ONLY.
- CHASSIS SUPPLIED.

- 57M LAMPS-FOG
- 36O AIR HORNS-CHROME
- 36N FANS-DEFROSTER, AUXILIARY
- 28Y MIRRORS-BUS WITH DEFROST
- 28X MIRRORS-EXTERIOR W/DEFROST
- 40J CB RADIO PREP

FIRST USED		02 0-SERIES	
DO NOT SCALE DRAWING			
TITLE: WIRING INSTL-DRAWING			
SHEET 6	PART NO	138670	

NOTES:



- 3. ALL GAUGES, RETAINER CLIPS, AND FASTENERS ARE CHASSIS SUPPLIED.
 - 2. ANY PLUG FROM CHASSIS SUPPLIED WIRE ASM CAN BE CONNECTED TO ANY GAUGE.
- 1 ALL GAUGES ARE INCLUDED IN KIT 137776-08-000 FOR FEATURES 265 27E

27E CODES/STANDARDS-CMVSS
 265 CODES/STANDARDS-CSA/CMVSS
 27E 265

FIRST USED		02 0-SERIES	
DO NOT SCALE DRAWING			
TITLE: WIRING INSTL-FRONT END			
SHEET 7	PART NO 138670		

(2) RCA CABLES
TO TV
2 PIN HOUSING
TO CENTER CHANNEL SPEAKER
(1) FEMALE TERMINAL
TO TV & SPEAKER
SELECTOR SWITCH

4 PIN HOUSINGS
TO WIRE ASM-IP,MAIN

WIRE ASM-AMPLIFIER, MTS
124862-09-000

AMPLIFIER
124881-02-000
FASTENER-DUAL LOCK
85774-01-000 (140MM)
FASTENER-DUAL LOCK
85774-02-000 (140MM)

12 PIN HOUSINGS
TO WIRE ASM-IP,MAIN

RELAY-DELUXE SOUND
63912-02-000
(HOUSING-VENDOR SUPPLIED)

12 PIN HOUSINGS
TO RADIO WIRING

1 CONNECT HOUSINGS TOGETHER.

NOTES:

20C SOUND SYS. DLX. W/O-SURROUND

20C 036C 038K 040J ONLY

FIRST ORG 02 0-SERIES

DO NOT SCALE DRAWING

TITLE: WIRING INSTL-FRONT END

SHEET 8 PART NO 138670

16) 2 PIN HOUSINGS
TO RECEIVER
11) 2 PIN HOUSINGS
TO CENTER CHANNEL SPEAKER

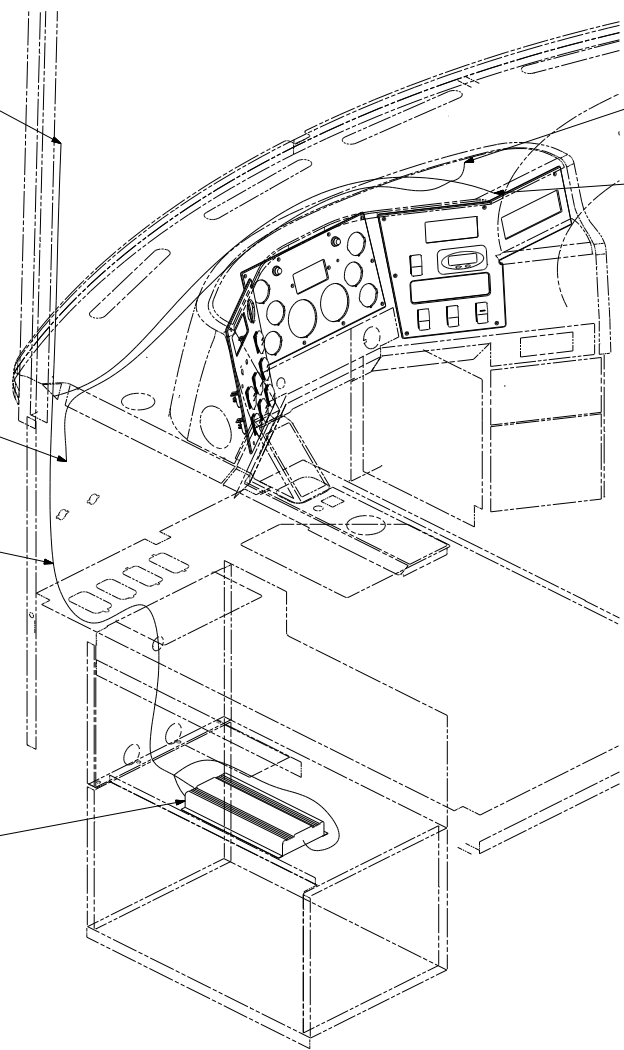
12 PIN HOUSING
TO WIRE ASM-IP,MAIN

12 PIN HOUSING
TO RADIO WIRING

4 PIN HOUSING
TO WIRE ASM-IP,MAIN

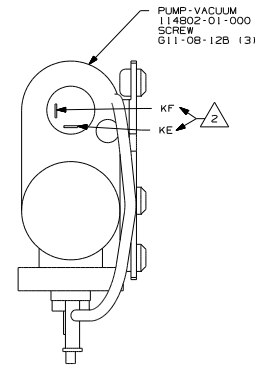
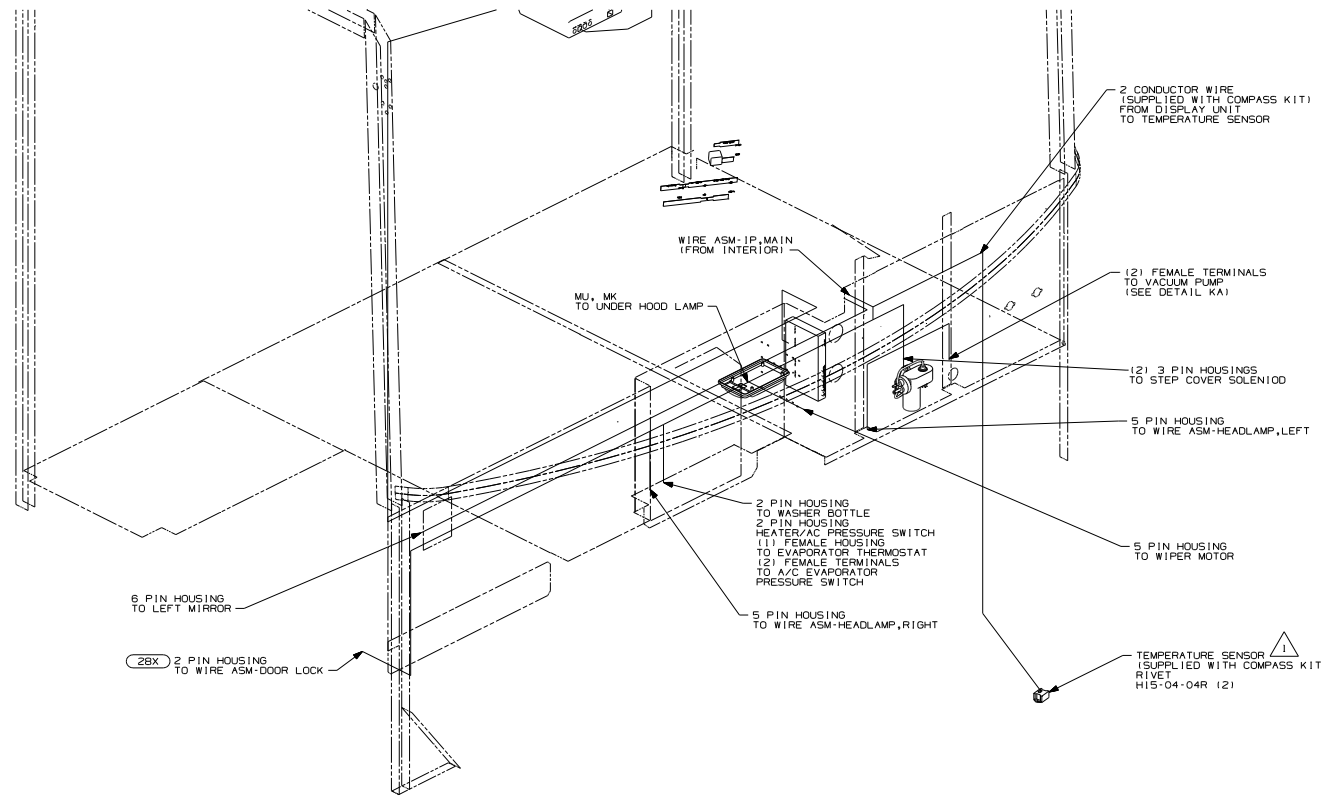
WIRE ASM-
140062-02-000

SWITCH
140062-01-000
FASTENER-DUAL LOCK
65774-01-000 (1400MM)
FASTENER-DUAL LOCK
65774-02-000 (1400MM)



NOTES:

(Z1V)	SOUND SYSTEM DELUX
(Z1V)	040JD 040WD ONLY
FIRST USED	02 0-SERIES
DO NOT SCALE DRAWING	
TITLE: WIRING INSTL-FRONT END	
SHEET 9	PART NO 138670



DETAIL KA

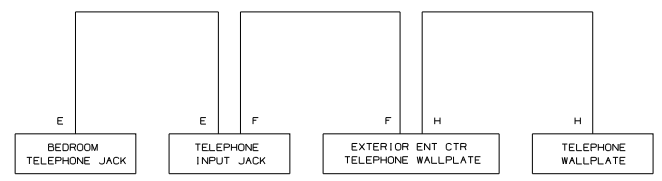
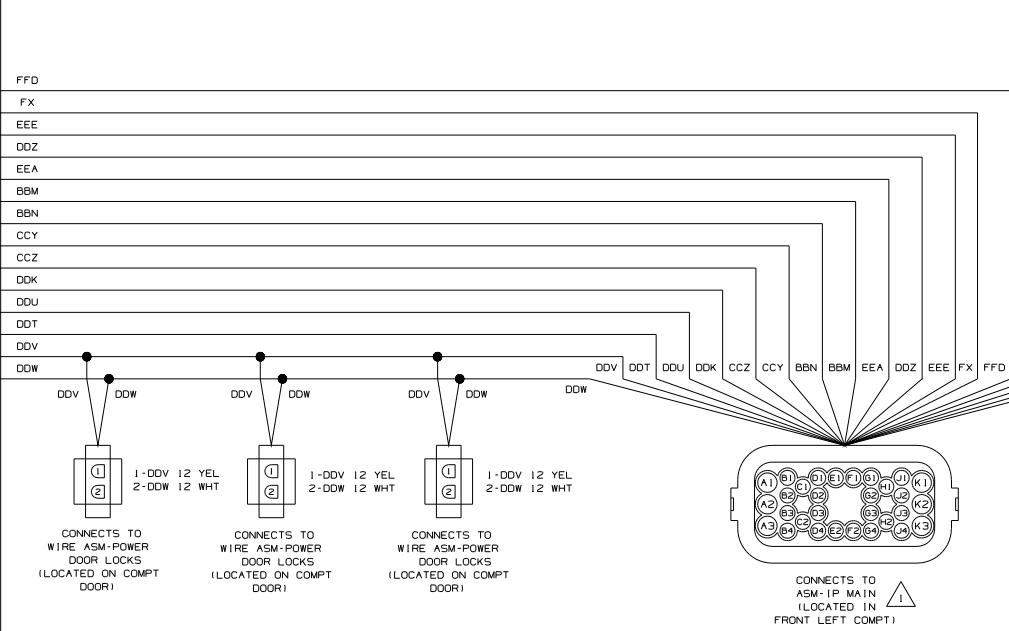
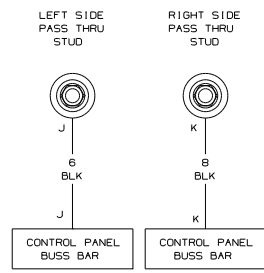
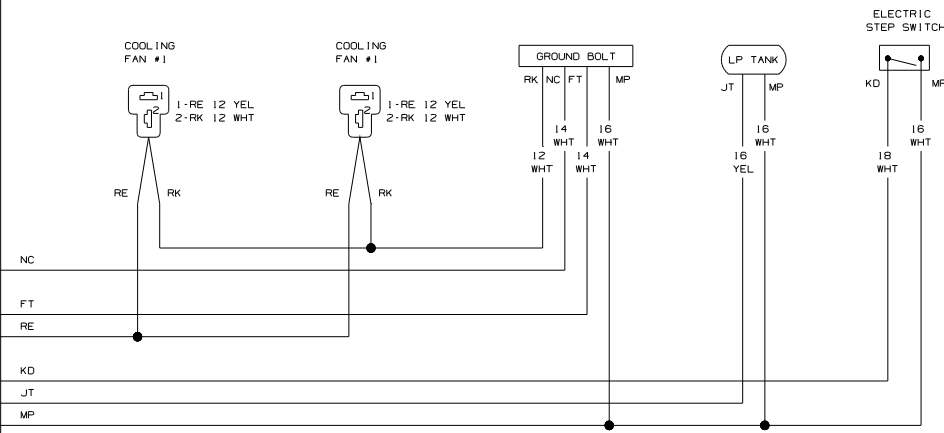
- 2 MOUNT OVER HOLE IN FIBERGLASS BELOW LEFT FOG LAMP.
- 1 MOUNT OVER HOLE IN FIBERGLASS BELOW LEFT FOG LAMP.

NOTES:

2BX MIRRORS-EXTERIOR W/DEFROST

2BX

FIRST USED	
02 0-SERIES	
DO NOT SCALE DRAWING	
TITLE: WIRING INSTL-FRONT END	
SHEET 10	PART NO 138670



- A1-DDT 12 YEL
- A2-DDU 12 WHT
- A3-DDV 12 YEL
- B1-KF 16 WHT
- B2-LG 16 YEL
- B3-LH 16 YEL
- B4-LJ 16 YEL
- C1-DDZ 16 YEL
- C2-EEA 16 WHT
- D1-
- D2-
- D3-
- D4-
- E1-EEE 14 YEL
- E2-
- F1-
- F2-
- G1-BBM 16 YEL
- G2-BBN 16 YEL
- G3-CCY 16 YEL
- G4-CCZ 16 YEL
- H1-DDK 16 YEL
- H2-
- J1-FFD 14 YEL
- J2-
- J3-
- J4-
- K1-DDW 12 WHT
- K2-
- K3-FX 12 YEL
- 1-KF 16 WHT
- 2-LH 16 YEL
- 3-LJ 16 YEL
- 4-LJ 16 YEL
- 5-LG 16 YEL
- 6-KF 16 WHT
- 7-
- 8-

WIRING DIAGRAM-CHASSIS
 WIRE ASM 137746

WINNEBAGO

DATE: 08-14-01

UNSPECIFIED TOLERANCES ARE:

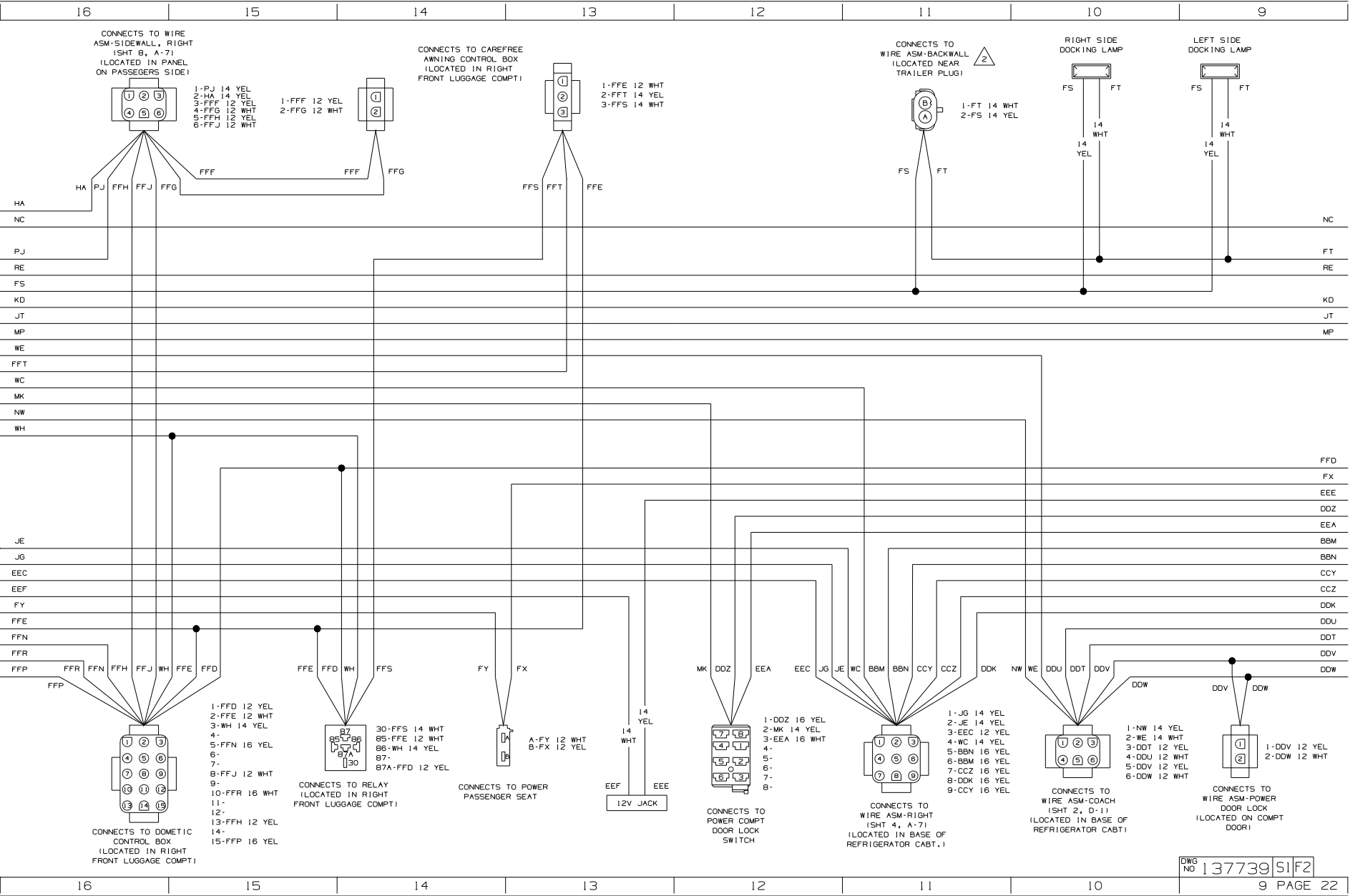
SIZE DIM 100	F	MATERIAL:	
ONE-PLACE 15.001	F		
TWO-PLACE 15.001	F		
ANGLE	F		

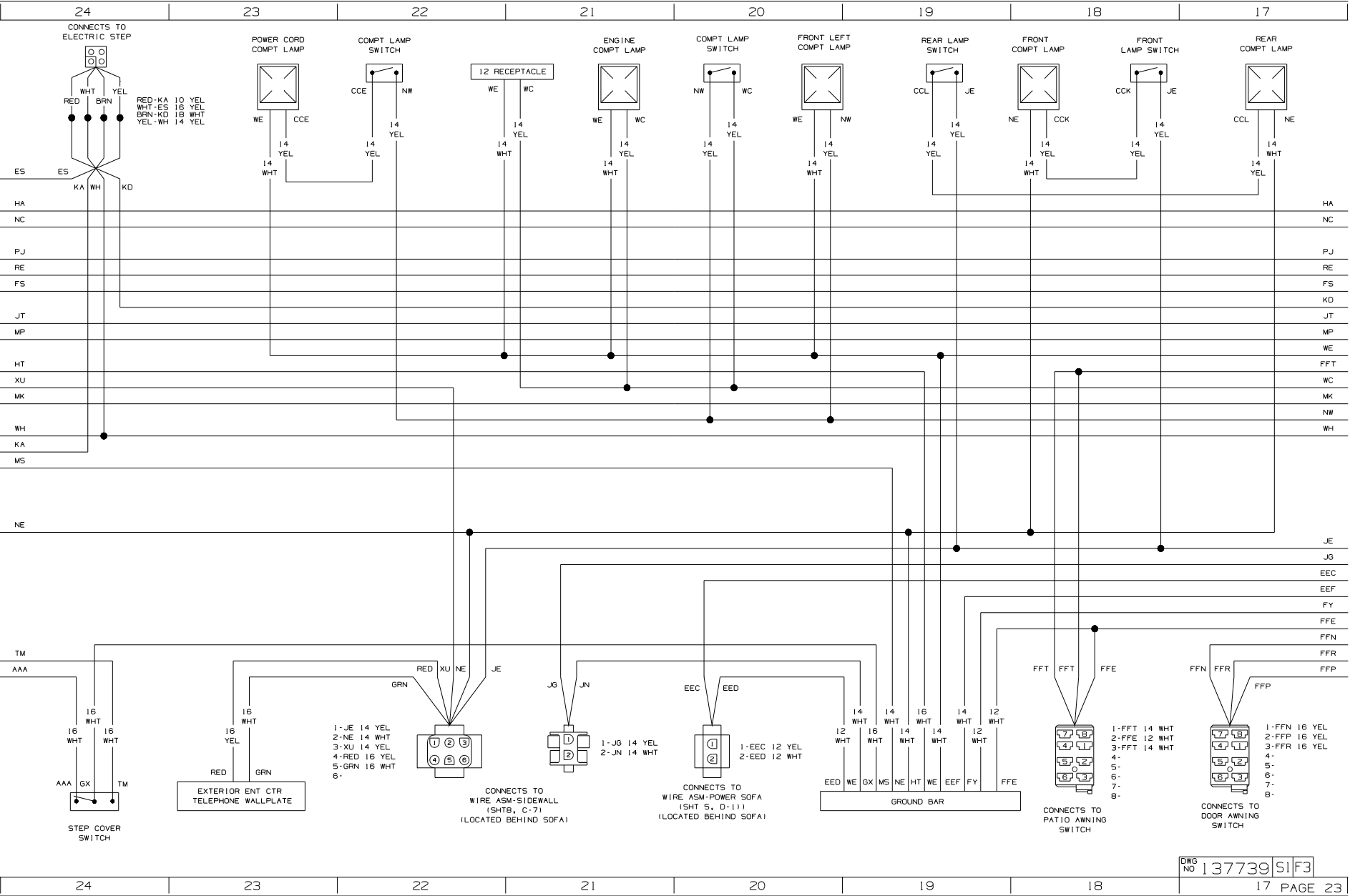
THIRD ANGLE PROJECTION

DO NOT SCALE DRAWING

TITLE: WIRING DIAGRAM-BODY, 12V

SHEET 1 of 7 PART NO 137739





CONNECTS TO WIRE ASM-SIDEMARKER (RIGHT)



- 1-MM 14 YEL
- 2-MS 14 WHT
- 3-RB 14 YEL

MS MM RB

CONNECTS TO WIRE ASM-SIDEMARKER (LEFT)



- 1-MM 14 YEL
- 2-MS 14 WHT
- 3-RA 14 YEL

MS MM RA

CONNECTS TO BEDROOM GENERATOR SWITCH



- 1-LN 16 WHT
- 2-LN 16 WHT
- 3-LL 16 WHT
- 4-
- 5-
- 6-
- 7-MP 16 WHT
- 8-HU 16 YEL

LL MP LM LN HU

CONNECTS TO WIRE ASM-LEFT (SHT 3, A-13) (LOCATED BEHIND MAGAZINE RACK IN BATH WALL)



- 1-LN 16 WHT
- 2-LM 16 WHT
- 3-LL 16 WHT
- 4-LP 16 YEL
- 5-JT 16 YEL
- 6-XU 14 YEL
- 7-HS 16 YEL
- 8-HT 16 WHT
- 9-ER 16 YEL

XU HT LL JT LM LN HS ER LP

CONNECTS TO GENERATOR ADAPTER (SHT 6, B-2/D-2) (LOCATED ON TOP OF GENERATOR)



- A-LN 16 WHT
- B-HU 16 YEL
- C-LL 16 WHT
- D-LP 16 YEL
- E-LM 16 WHT

LP LL LM LN HU

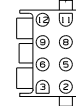
CONNECTS TO ELECTRIC STEP SWITCH



- 1- 2-ER 16 YEL
- 3-ES 16 YEL
- 4-
- 5-
- 6-
- 7-
- 8-

ER ES ES HA NC PJ RE FS JT MP HT XU MK WH KA MS NE TM AAA

NE HA NC DK DJ DM DL AS KW AT KY



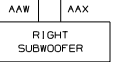
- 1-KY 16 YEL
- 2-AT 16 WHT
- 3-KW 16 YEL
- 4-AS 16 WHT
- 5-DL 16 YEL
- 6-DM 16 WHT
- 7-DJ 16 YEL
- 8-DK 16 WHT
- 9-NC 14 WHT
- 10-HA 14 YEL
- 11-NE 14 WHT
- 12-

CONNECTS TO WIRE ASM-ROOF (SHT 5, D-14) (LOCATED IN CABINET BEHIND MONITOR)

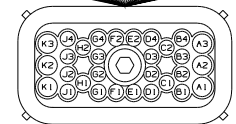


- 1-PX 16 YEL
- 2-MK 14 YEL
- 3-PY 16 WHT
- 4-
- 5-
- 6-
- 7-
- 8-

CONNECTS TO POWER DOOR LOCK SWITCH



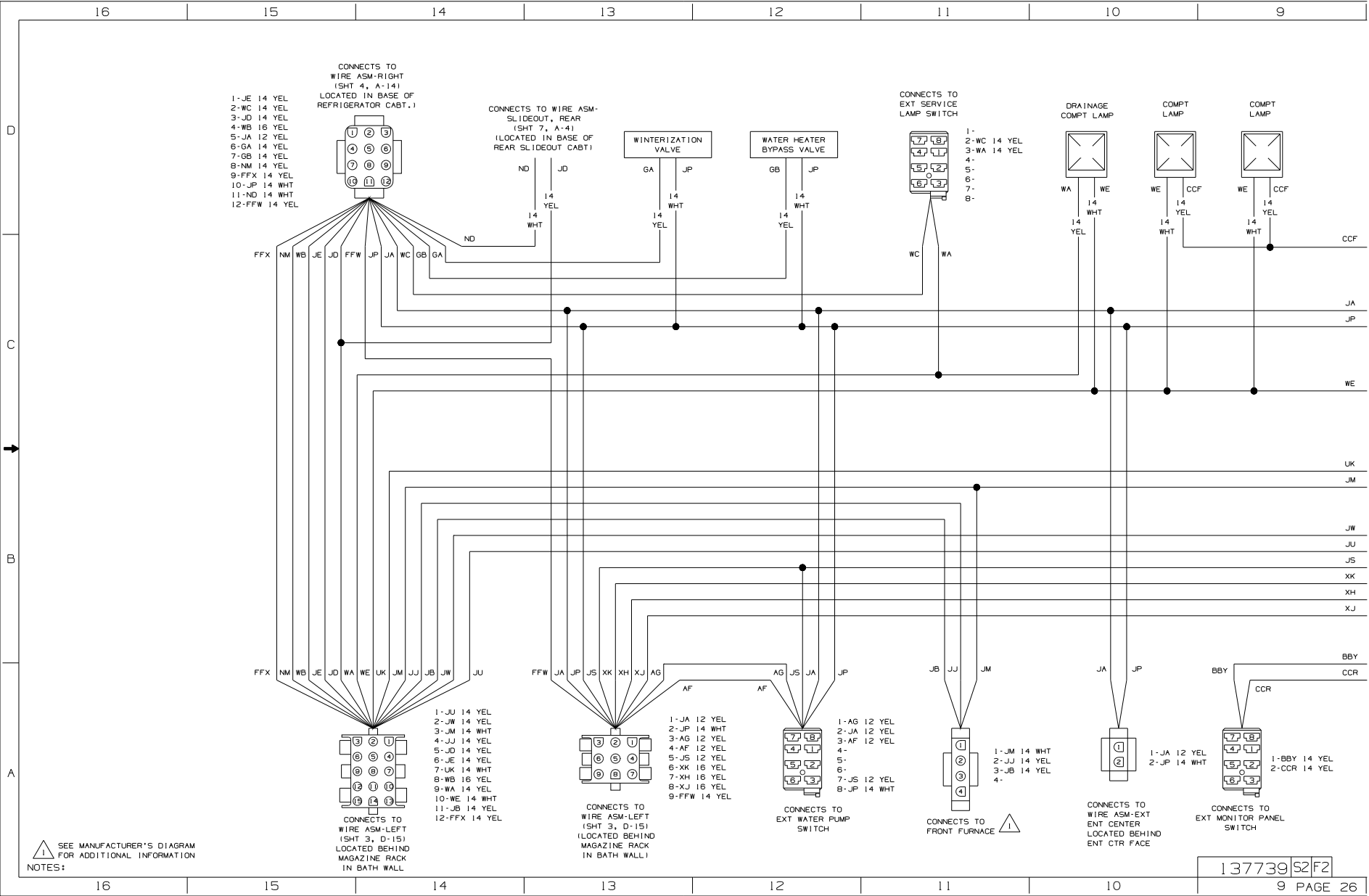
16 YEL 16 WHT
AAW AAX
RIGHT SUBWOOFER



CONNECTS TO WIRE ASM-IP MAIN (LOCATED IN FRONT LEFT COMPT)

- A1-AAW 16 WHT
- A2-MK 14 YEL
- A3-FS 14 YEL
- B1-KY 16 YEL
- B2-AT 16 WHT
- B3-KW 16 YEL
- C1-
- C2-TM 16 WHT
- D1-LL 16 WHT
- D2-LM 16 WHT
- D3-LN 16 WHT
- D4-HU 16 YEL
- E1-MM 14 YEL
- E2-HS 16 YEL
- F1-RA 14 YEL
- F2-RB 14 YEL
- G1-DL 16 YEL
- G2-DM 16 WHT
- G3-DJ 16 YEL
- G4-DK 16 WHT
- H1-AAA 16 WHT
- H2-PJ 14 YEL
- J1-PX 16 YEL
- J2-WH 14 YEL
- J3-ER 16 YEL
- J4-PY 16 WHT
- K1-RE 12 YEL
- K2-KA 10 YEL
- K3-AAW 16 YEL

2 SEE WIRING DIAGRAM-AUTO LAMPS FOR ADDITIONAL INFORMATION.
1 SEE WIRING DIAGRAM-AUTO FOR ADDITIONAL INFORMATION.



CONNECTS TO
WIRE ASM-RIGHT
(SHT 4, A-14)
LOCATED IN BASE OF
REFRIGERATOR CABT.)

1-JE	14	YEL
2-WC	14	YEL
3-JD	14	YEL
4-WB	16	YEL
5-JA	12	YEL
6-GA	14	YEL
7-GB	14	YEL
8-NM	14	YEL
9-FFX	14	YEL
10-JP	14	WHT
11-ND	14	WHT
12-FFW	14	YEL

CONNECTS TO WIRE ASM-
SLIDEOUT, REAR
(SHT 7, A-4)
(LOCATED IN BASE OF
REAR SLIDEOUT CABT)

WINTERIZATION
VALVE

WATER HEATER
BYPASS VALVE

CONNECTS TO
EXT SERVICE
LAMP SWITCH

1-	WC	14	YEL
2-	WA	14	YEL
4-			
5-			
6-			
7-			
8-			

DRAINAGE
COMPT LAMP

COMPT
LAMP

COMPT
LAMP

NOTES:
1 SEE MANUFACTURER'S DIAGRAM
FOR ADDITIONAL INFORMATION

CONNECTS TO
WIRE ASM-LEFT
(SHT 3, D-15)
LOCATED BEHIND
MAGAZINE RACK
IN BATH WALL

CONNECTS TO
WIRE ASM-LEFT
(SHT 3, D-15)
LOCATED BEHIND
MAGAZINE RACK
IN BATH WALL

CONNECTS TO
EXT WATER PUMP
SWITCH

CONNECTS TO
FRONT FURNACE

CONNECTS TO
WIRE ASM-EXT
ENT CENTER
LOCATED BEHIND
ENT CTR FACE

CONNECTS TO
EXT MONITOR PANEL
SWITCH

CONNECTS TO LOAD SHEDDER MONITOR PANEL (LOCATED IN LOAD CENTER)

- 1-JA 14 YEL
- 2-JP 14 WHT
- 3-CCN 16 YEL
- 4-BBJ 16 YEL
- 5-DD 16 YEL
- 6-BBH 16 YEL
- 7-CCP 16 YEL
- 8-LP 16 YEL

FAN THERMOSTAT

- GS 14 YEL
- GR 14 YEL

CONNECTS TO LOAD SHEDDER MONITOR PANEL (LOCATED IN BATH CABT)

- RED-BBC 16 YEL
- BLU-BBD 16 YEL
- BLK-BBE 16 YEL
- BRN-BBF 16 YEL

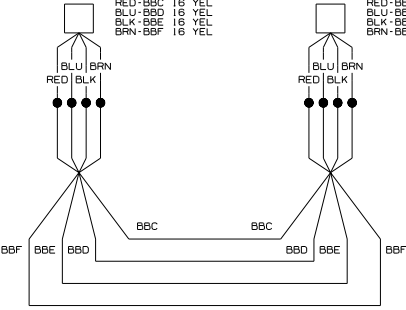
CONNECTS TO LOAD SHEDDER CONTROL BOARD (LOCATED IN LOAD CENTER)

- RED-BBC 16 YEL
- BLU-BBD 16 YEL
- BLK-BBE 16 YEL
- BRN-BBF 16 YEL

GALLEY CEILING LAMP SWITCH



JA JP LP BBJ CCN BBH DD CCP



JD JA JP LP A GS GR JM JB JJ

BBJ CCN BBH WHITE BLUE YELLOW 2 GRAY RED 1 GRAY 1 GRAY RED 2 GRAY YELLOW BLUE WHITE CCN DD CCP

- 1-JB 14 YEL
- 2-JM 14 WHT
- 3-JJ 14 YEL

- 1-1 GRAY 16 YEL
- 2-RED 16 YEL
- 3-2 GRAY 16 YEL
- 4-BLUE 16 YEL
- 5-YELLOW 16 YEL
- 6-BBH 16 YEL
- 7-BBJ 16 YEL
- 8-WHITE 16 YEL
- 9-CCN 16 YEL

- 1-1 GRAY 16 YEL
- 2-RED 16 YEL
- 3-2 GRAY 16 YEL
- 4-BLUE 16 YEL
- 5-YELLOW 16 YEL
- 6-CCP 16 YEL
- 7-DD 16 YEL
- 8-WHITE 16 YEL
- 9-CCN 16 YEL

- 1-BBH 16 YEL
- 2-CCP 16 YEL

- 1-BBH 16 YEL
- 2-CCP 16 YEL

CONNECTS TO THERMOSTAT

CONNECTS TO THERMOSTAT

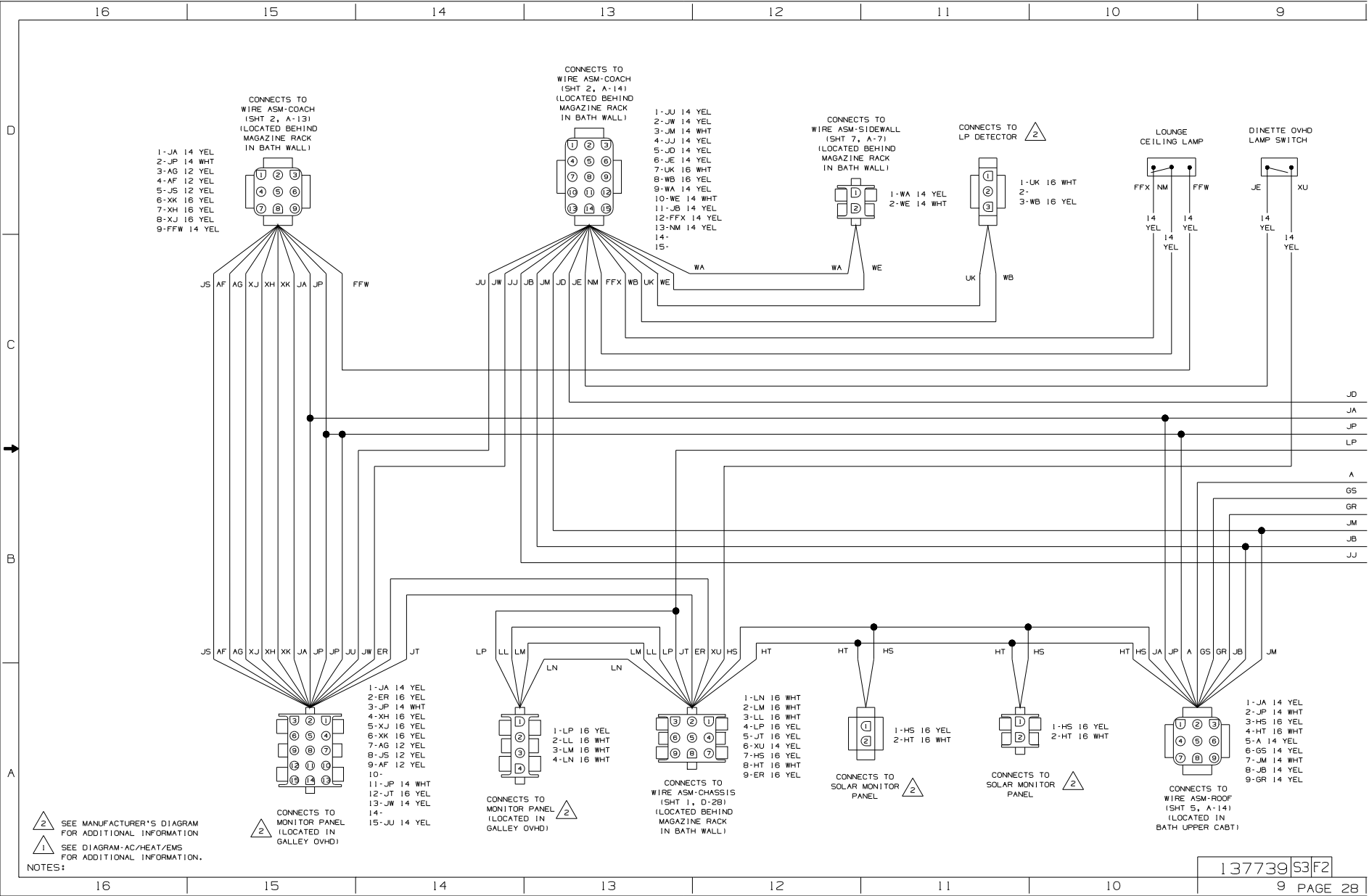
CONNECTS TO A/C CORD (LOCATED BEHIND MONITOR PANEL)

CONNECTS TO A/C CORD (LOCATED BEHIND MONITOR PANEL)

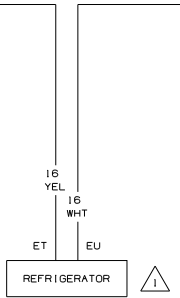
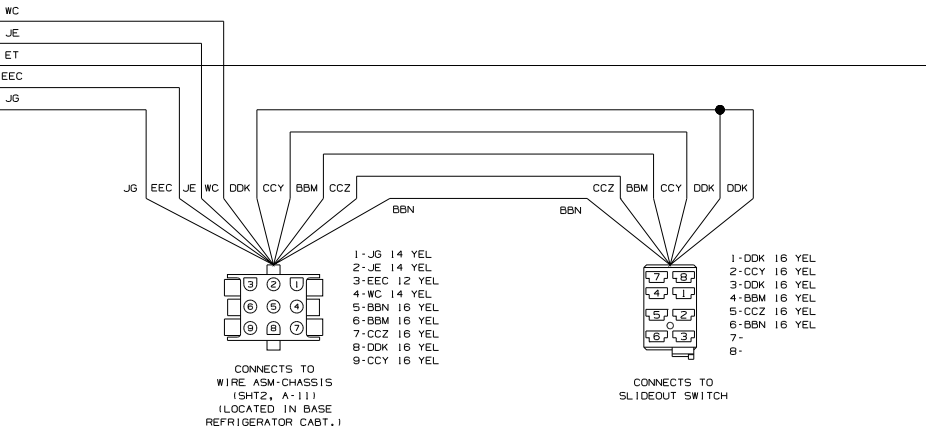
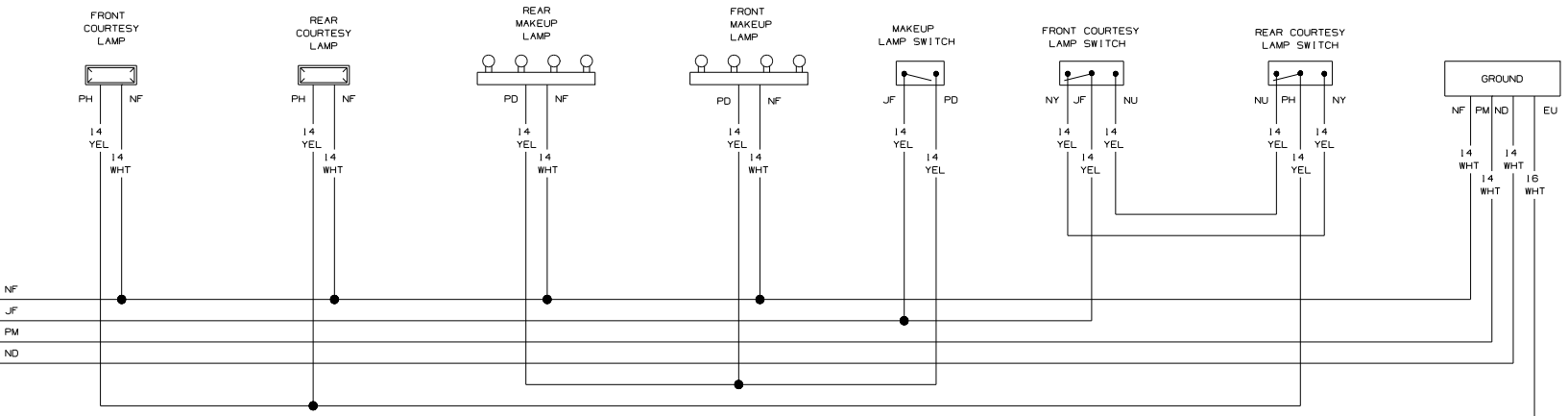
CONNECTS TO A/C CORD (LOCATED BEHIND MONITOR PANEL)

WIRING DIAGRAM-LEFT WIRE ASM 137752

FIRST USED	02 Q36C
TITLE	DO NOT SCALE DRAWING
TITLE	WIRING DIAGRAM-BODY,12V
SHEET	3
PART NO	137739

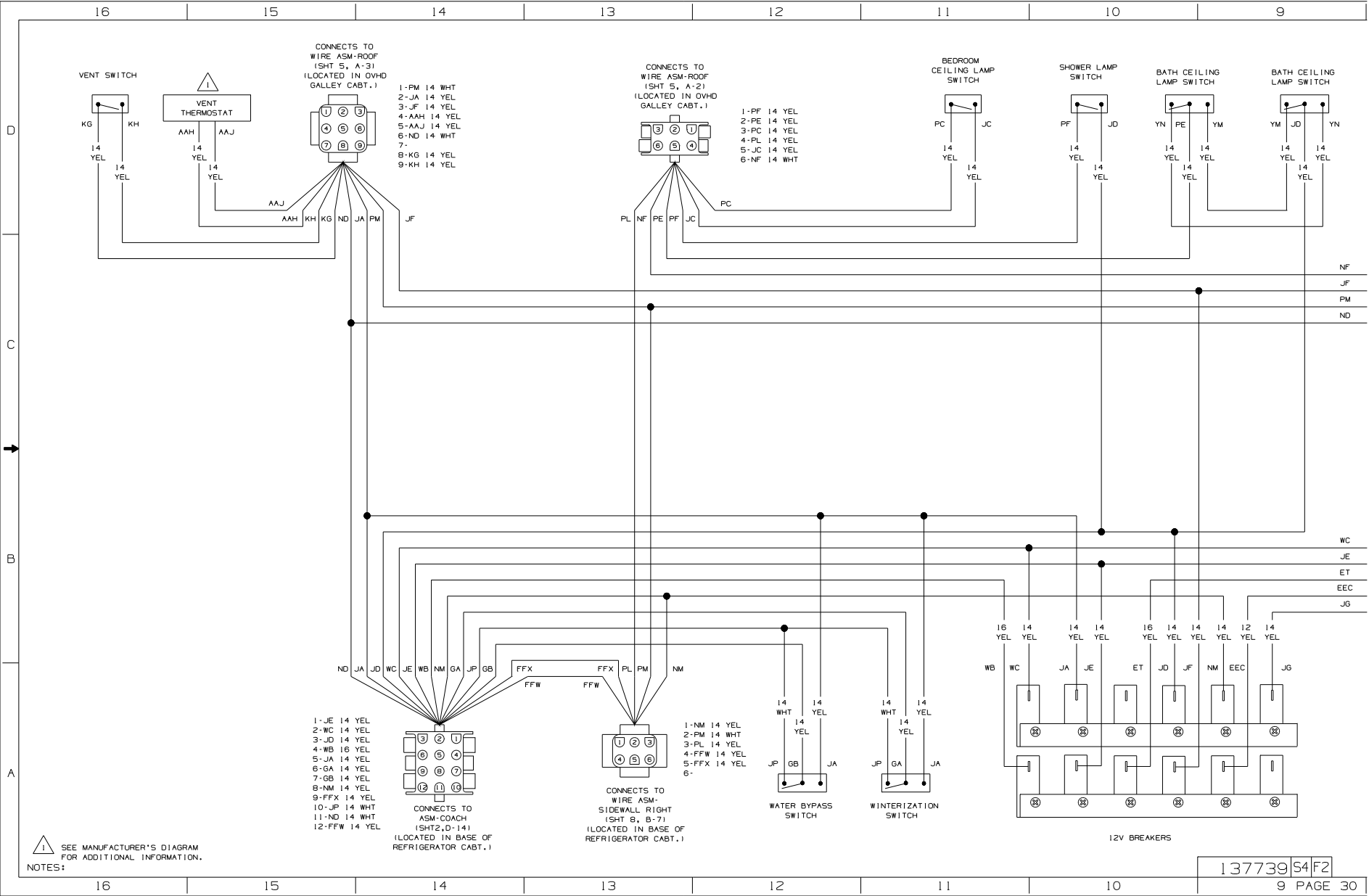


2 SEE MANUFACTURER'S DIAGRAM FOR ADDITIONAL INFORMATION
1 SEE DIAGRAM-AC/HEAT/EMS FOR ADDITIONAL INFORMATION.



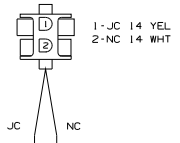
WIRING DIAGRAM-RIGHT
WIRE ASM 13774B

FIRST USED	02 Q36C	
DO NOT SCALE DRAWING		
TITLE: WIRING DIAGRAM-BODY, 12V		
S4 F1	SHEET 4	PART NO 137739

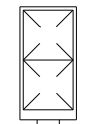


NOTES:
 1 SEE MANUFACTURER'S DIAGRAM FOR ADDITIONAL INFORMATION.

CONNECTS TO
WIRE ASM-REAR STEREO
(SHT6, C-5)
(LOCATED IN REAR
BEDROOM OVHD)

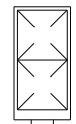


BEDROOM
CEILING LAMP



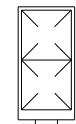
14 WHT
14 YEL

READING
LAMP



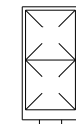
14 YEL
14 WHT

FRONT
LOUNGE LAMP



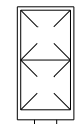
14 WHT
14 YEL

REAR
LOUNGE LAMP



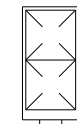
14 WHT
14 YEL

GALLEY
LAMP



14 YEL
14 WHT

BATH
CEILING LAMP



14 WHT
14 YEL

SHOWER
LAMP

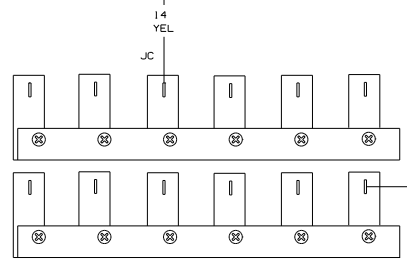


14 WHT
14 YEL

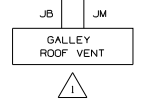
NC
HA
A

JC

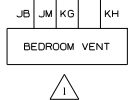
JA
JM
JB



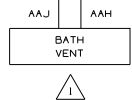
12V BREAKER



1

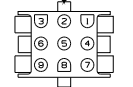


1

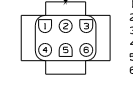


1

- 1-PM 14 WHT
- 2-JA 14 YEL
- 3-JF 14 YEL
- 4-AAH 14 YEL
- 5-AAJ 14 YEL
- 6-ND 14 WHT
- 7-
- 8-KG 14 YEL
- 9-KH 14 YEL



CONNECTS TO
WIRE ASM-RIGHT
(SHT4, D-15)
(LOCATED IN
GALLEY OVHD CABT)



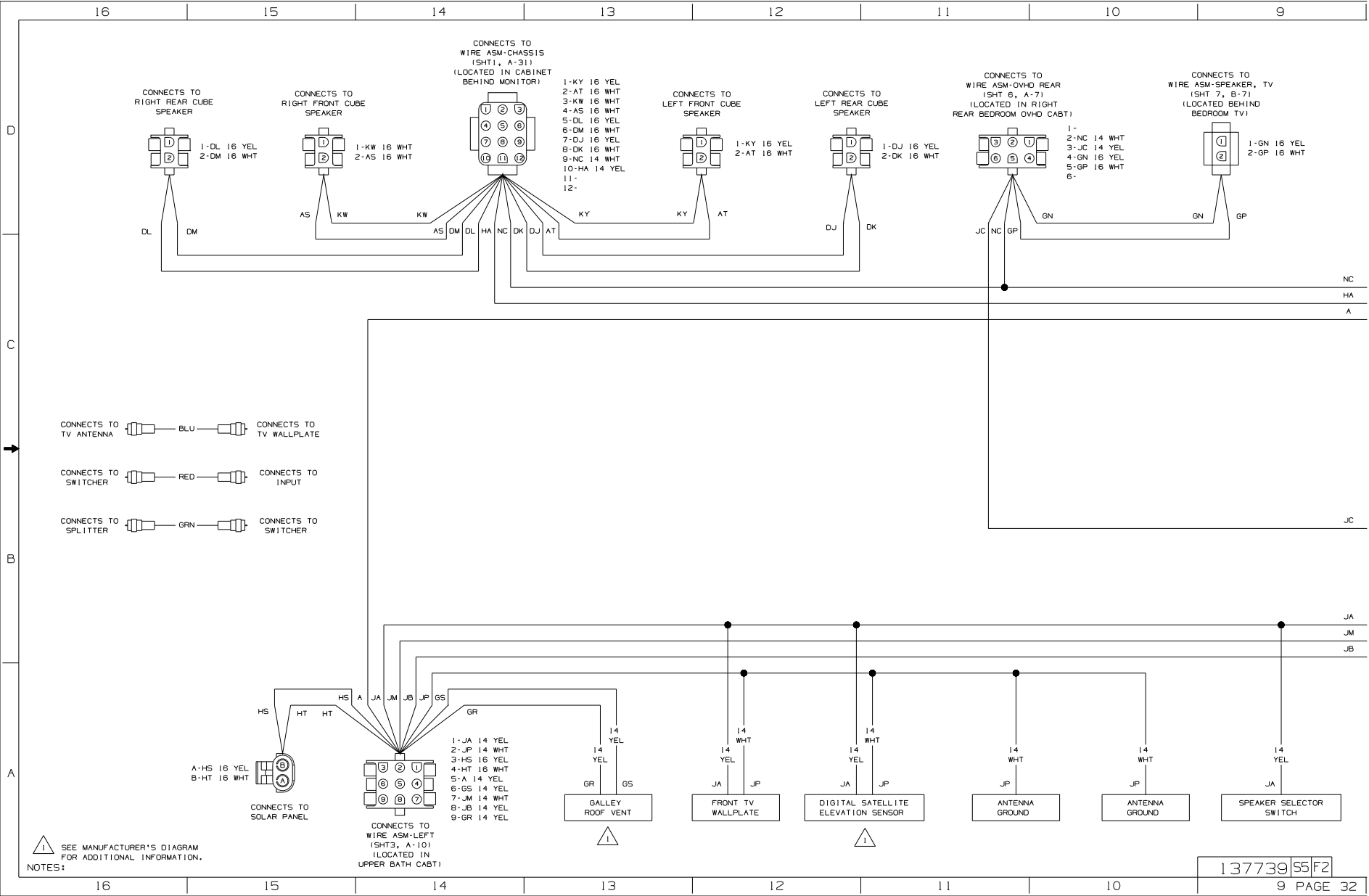
CONNECTS TO
WIRE ASM-RIGHT
(SHT4, D-13)
(LOCATED IN
GALLEY OVHD CABT)

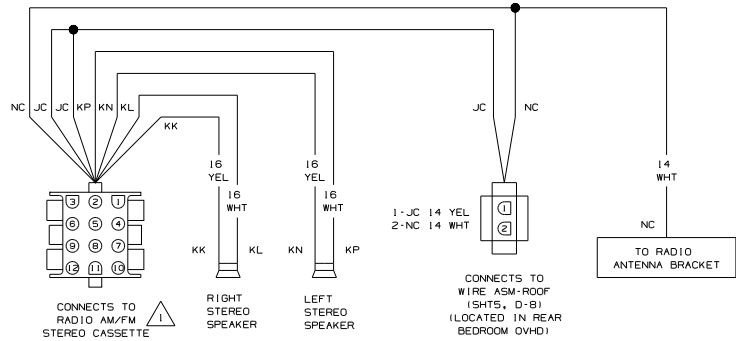
- 1-PF 14 YEL
- 2-PE 14 YEL
- 3-PC 14 YEL
- 4-PL 14 YEL
- 5-JC 14 YEL
- 6-NF 14 WHT

WIRING DIAGRAM-ROOF
WIRE ASM 137877

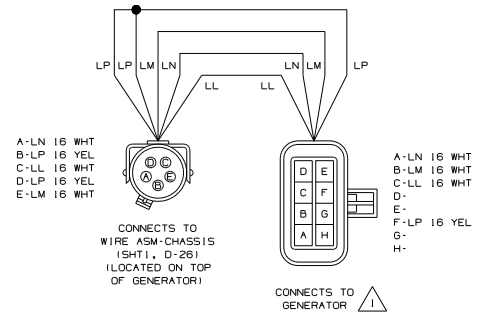
FIRST USED	02 Q36C	
TITLE	DO NOT SCALE DRAWING	
TITLE	WIRING DIAGRAM-BODY, 12V	
SHEET	5	PART NO 137739

S5 F1

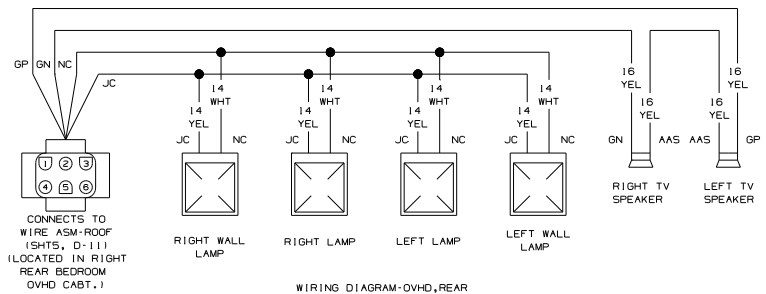




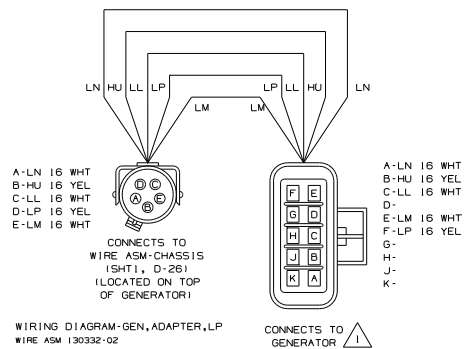
WIRING DIAGRAM-REAR STEREO
 WIRE ASM 124336



WIRING DIAGRAM-GEN, ADAPTER, LP
 WIRE ASM 130332-01



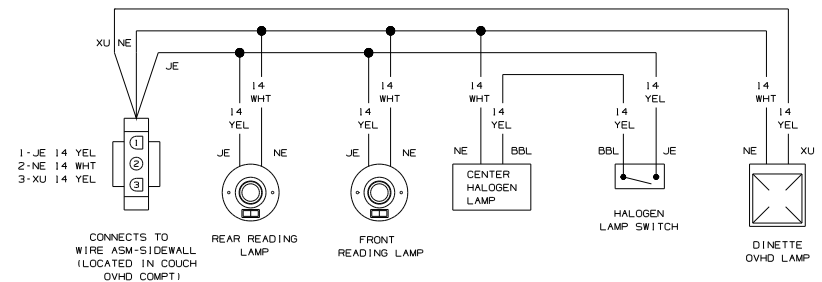
WIRING DIAGRAM-OVHD, REAR
 WIRE ASM 131219



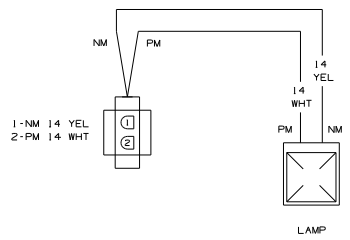
WIRING DIAGRAM-GEN, ADAPTER, LP
 WIRE ASM 130332-02

SEE MANUFACTURER'S DIAGRAM FOR ADDITIONAL INFORMATION.

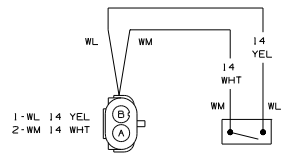
FIRST USED	02 Q36C
TITLE:	DO NOT SCALE DRAWING
	WIRING DIAGRAM-BODY, 12V
SHEET 6	PART NO 137739



WIRING DIAGRAM-OVHD
WIRE ASM 131480



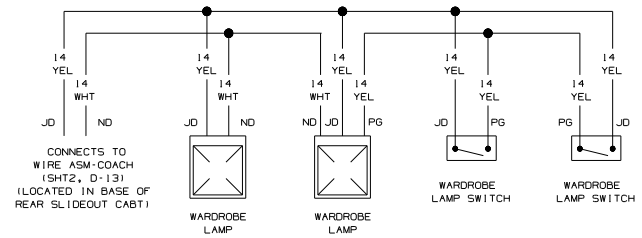
WIRING DIAGRAM-OVHD
WIRE ASM 93051-13



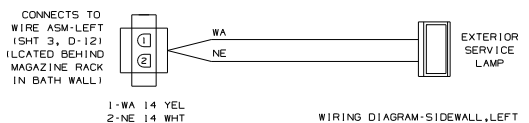
WIRING DIAGRAM-DOOR LOCK
WIRE ASM 132267



WIRING DIAGRAM-SPEAKER,TV
WIRE ASM 104271-03

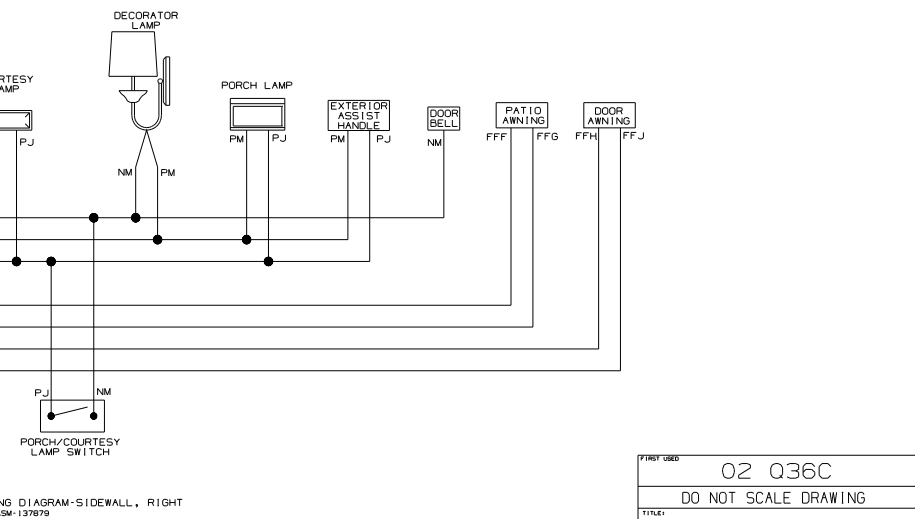
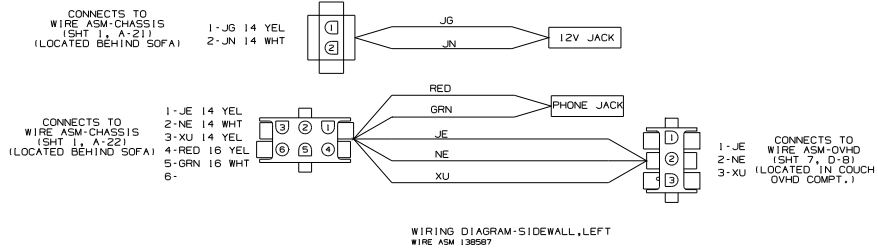
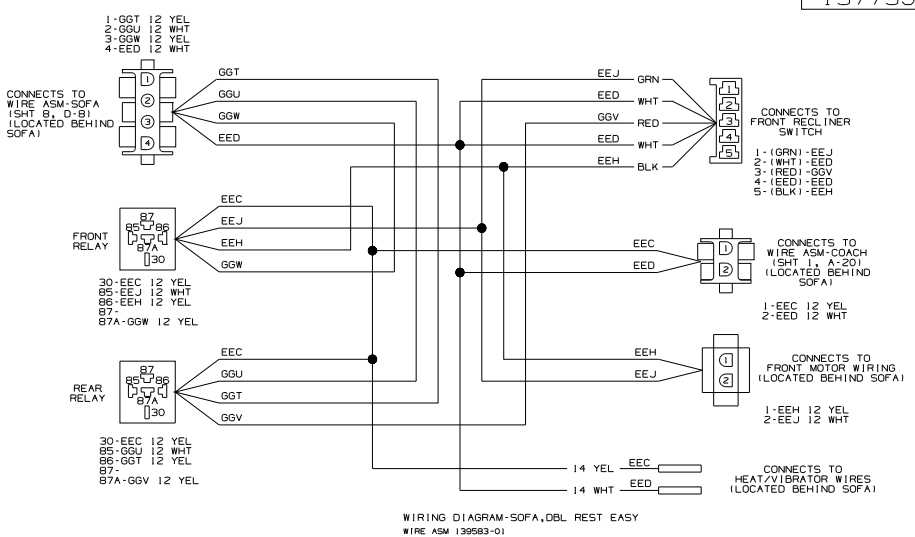
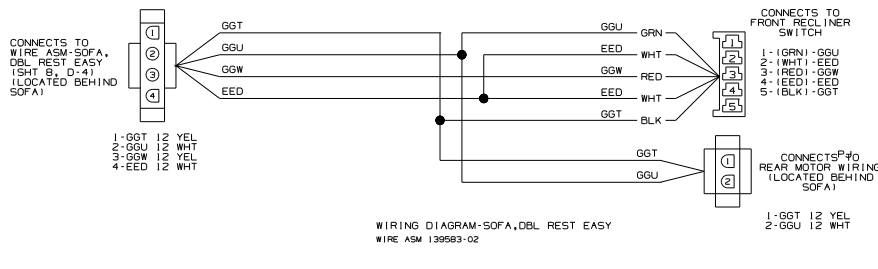


WIRING DIAGRAM-SLIDEOUT,REAR
WIRE ASM 137456



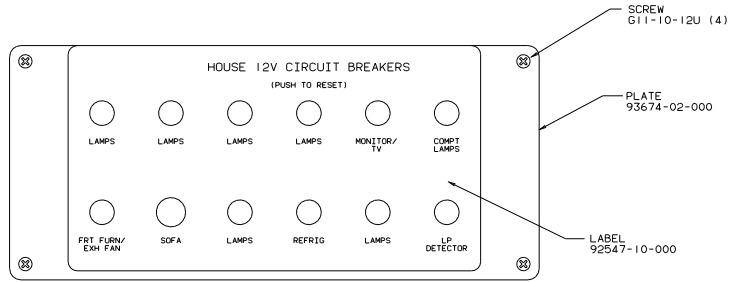
WIRING DIAGRAM-SIDEWALL,LEFT
WIRE ASM 123754

FIRST USED	02 Q36C
TITLE:	DO NOT SCALE DRAWING
	WIRING DIAGRAM-BODY,12V
SHEET	7
PART NO	137739

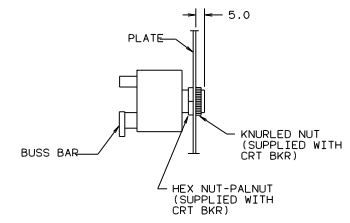


NOTE
NOTES:

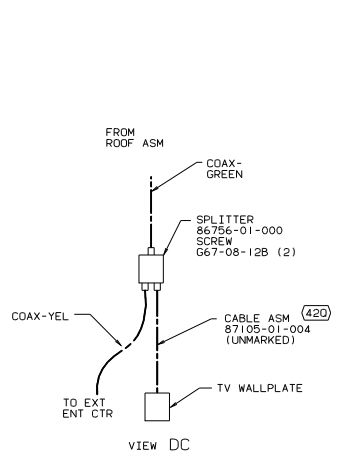
FIRST USED	02 Q36C
TITLE	DO NOT SCALE DRAWING
TITLE	WIRING DIAGRAM-BODY, 12V
SHEET 8	PART NO 137739



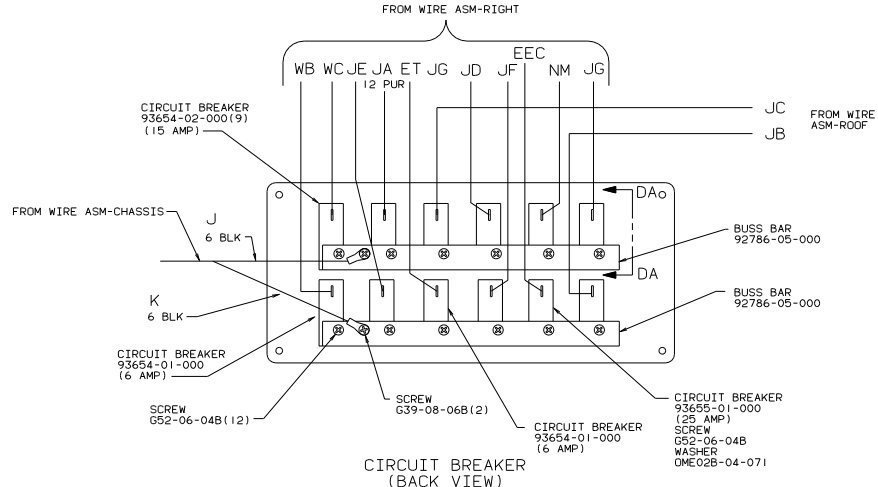
CIRCUIT BREAKER (FRONT VIEW)



SECTION DA-DA



VIEW DC



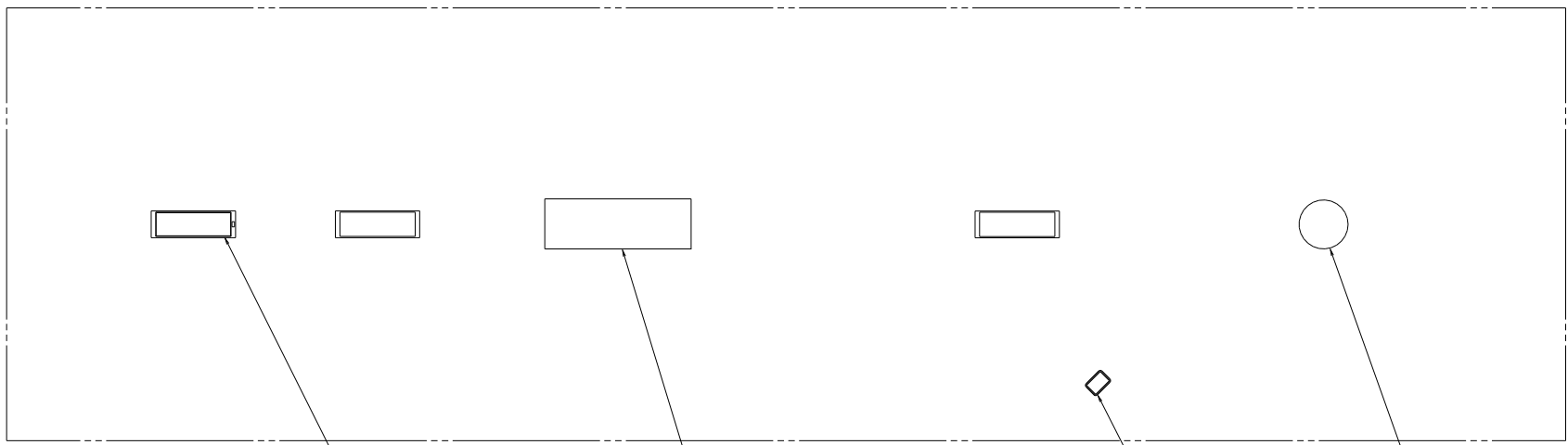
CIRCUIT BREAKER (BACK VIEW)

1. CONNECT BLUE WIRES FROM RESET TO THE BLUE WIRES WITH SPADE TERMINALS ON A/C CORD WITH 29H 9LI FEATURES.

FOR ELECTRICAL TORQUE SPECIFICATIONS SEE DWG NO 128783-01-000

(265) CODES/STANDARDS-CSA/CMVSS
(1B1) CODES/STANDARDS USA
02 Q36C (1B1)(265)

TITLE: WIRING INSTL-BODY, 12V (BP)
DWG NO 137737
SHEET 4 OF 6



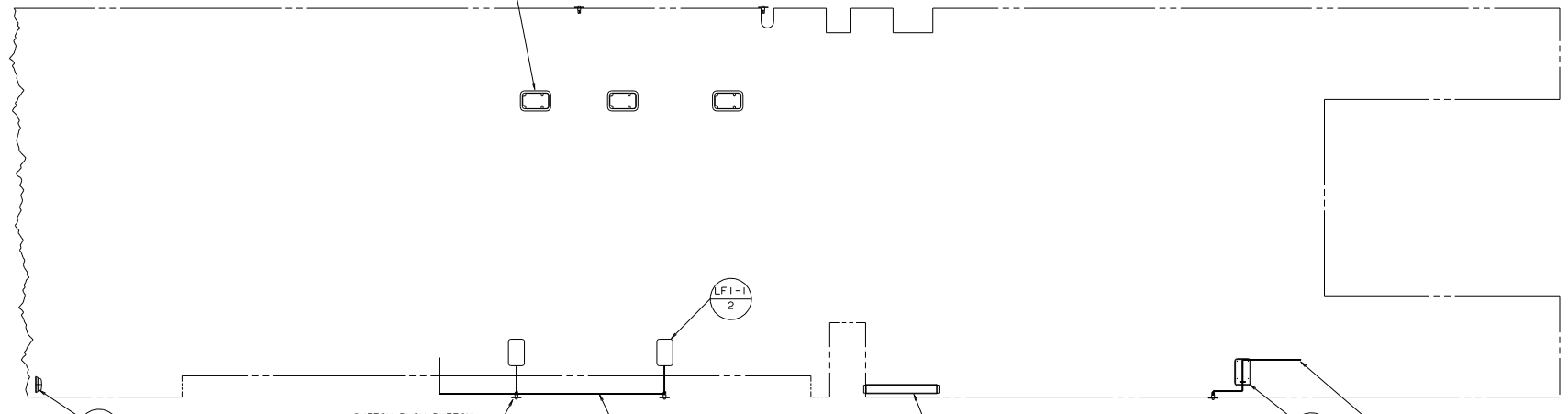
FLUN4
4

SHROUD-CEILING LT
98023-01-CHT (3)
BRACKET-SUPPORT, LIGHT
130325-01-CHT (3)

LIGHT-FLUORESCENT
133416-02-000 (2)
BULB
1(SUPPLIED W/LAMP)
BRACKET
133077-02-CHT

LSH-1

LIGHT
93575-22-CHT
SCREW
G11-08-16U (3)
CONNECTOR
58028-01-000 (2)



LF1-1
3

SWITCH-PUSH BUTTON
41250-01-000 (5)
BLOCK-SWITCH SPACER
75722-05-000 (5)
SCREW
639-08-16E (10)

WIRE ASM-CHASSIS

LF1-1
2

BRACKET-LAMP, FLUORESCENT
129963-01-CHT
SCREW
G11-08-08B (4)
LAMP-FLUORESCENT
127327-01-CHT
CONNECTOR
58028-01-000 (2)
SCREW
G39-08-08B (2)

LFN12

FROM WIRE ASM-CHASSIS

NOTES:

FOR ELECTRICAL
TORQUE
SPECIFICATIONS
SEE DWG NO.
128783-01-000

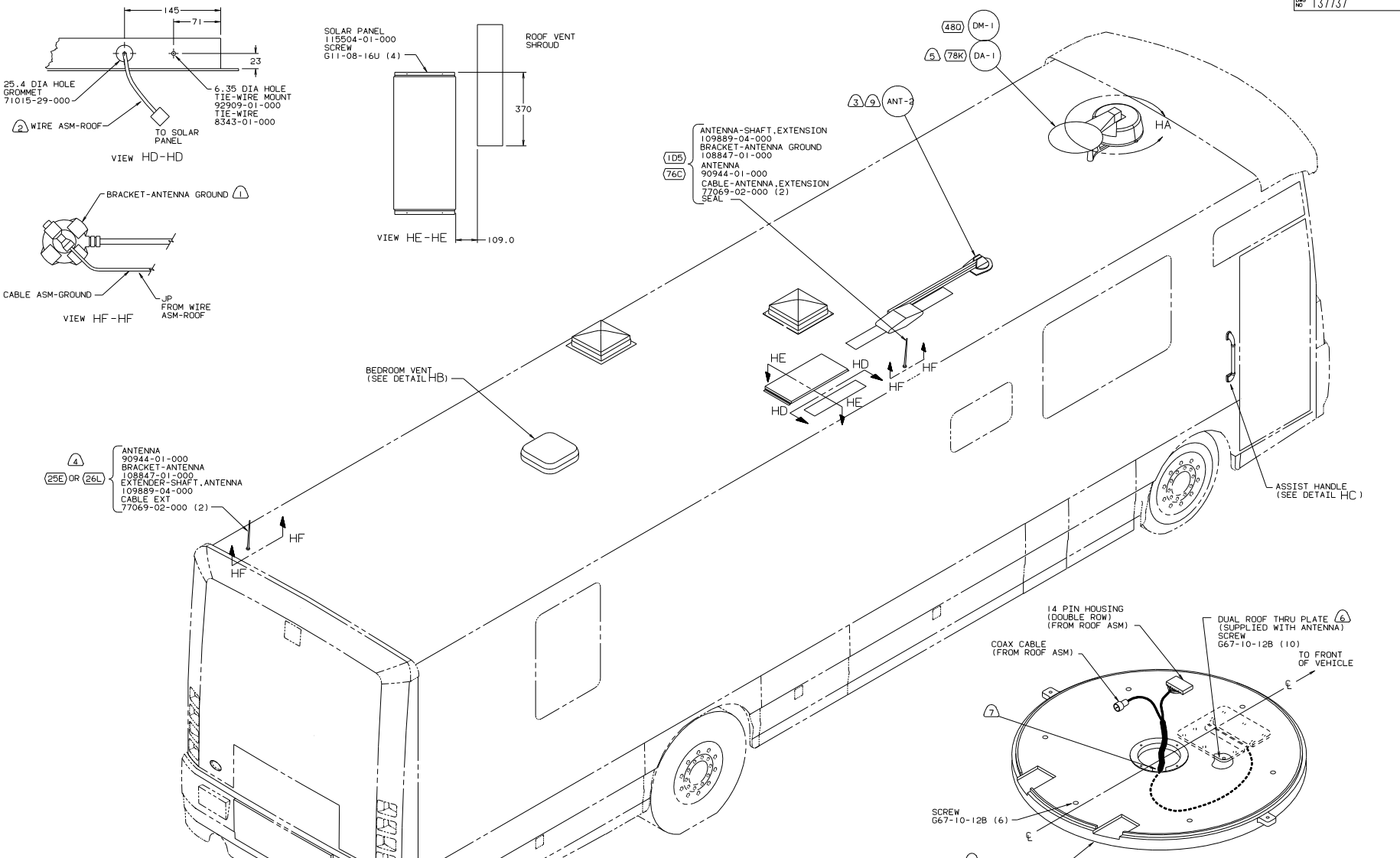
(X-X)

FOR
ELECTRICAL
CALLOUTS
SEE DWG NO.
121339-01-000

(265) CODES/STANDARDS-CSA/CMVSS
(IB1) CODES/STANDARDS USA

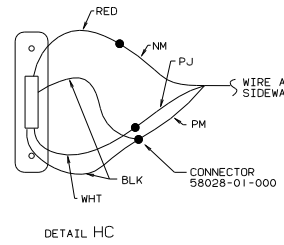
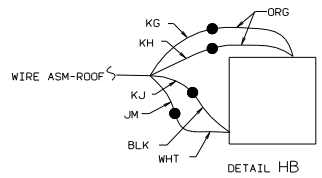
02 Q36C (IB1)(265)

TITLE: WIRING INSTL-BODY, 12V (LAMPS)
SHEET 5 OF 6 I.F. NO. 137737



- 9 ADD RUBBER BUMPER TO ROOF UNDER EACH END OF ANTENNA WHEN IN DOWN POSITION WHICH MAY COME IN CONTACT WITH ROOF.
- 8 SEAL ALL MOUNTING HOLES.
- 7 REMOVE KNOCKOUT FOR WIRES.
- 6 INSTALL DUAL ROOF THRU PLATE AND SEAL ALL HOLES BEFORE INSTALLING MOUNTING BASE.
- 5 SEE MANUFACTURERS INSTALLATION INSTRUCTIONS FOR ADDITIONAL INFORMATION.
- 4 ONCE ROOF HAS BEEN DROPPED AND REAR CAP INSTALLED LOCATE REAR ANTENNA HOLE AND DRILL 13 DIA HOLE UP THRU REAR CAP.
- 3 SEE DRAWING 76319-01-000 FOR INSTALLATION OF TELEVISION ANTENNA.
- 2 FASTEN TO VENT.
- 1 WRAP BRACKET LEGS AROUND ANTENNA BASE.

NOTES:



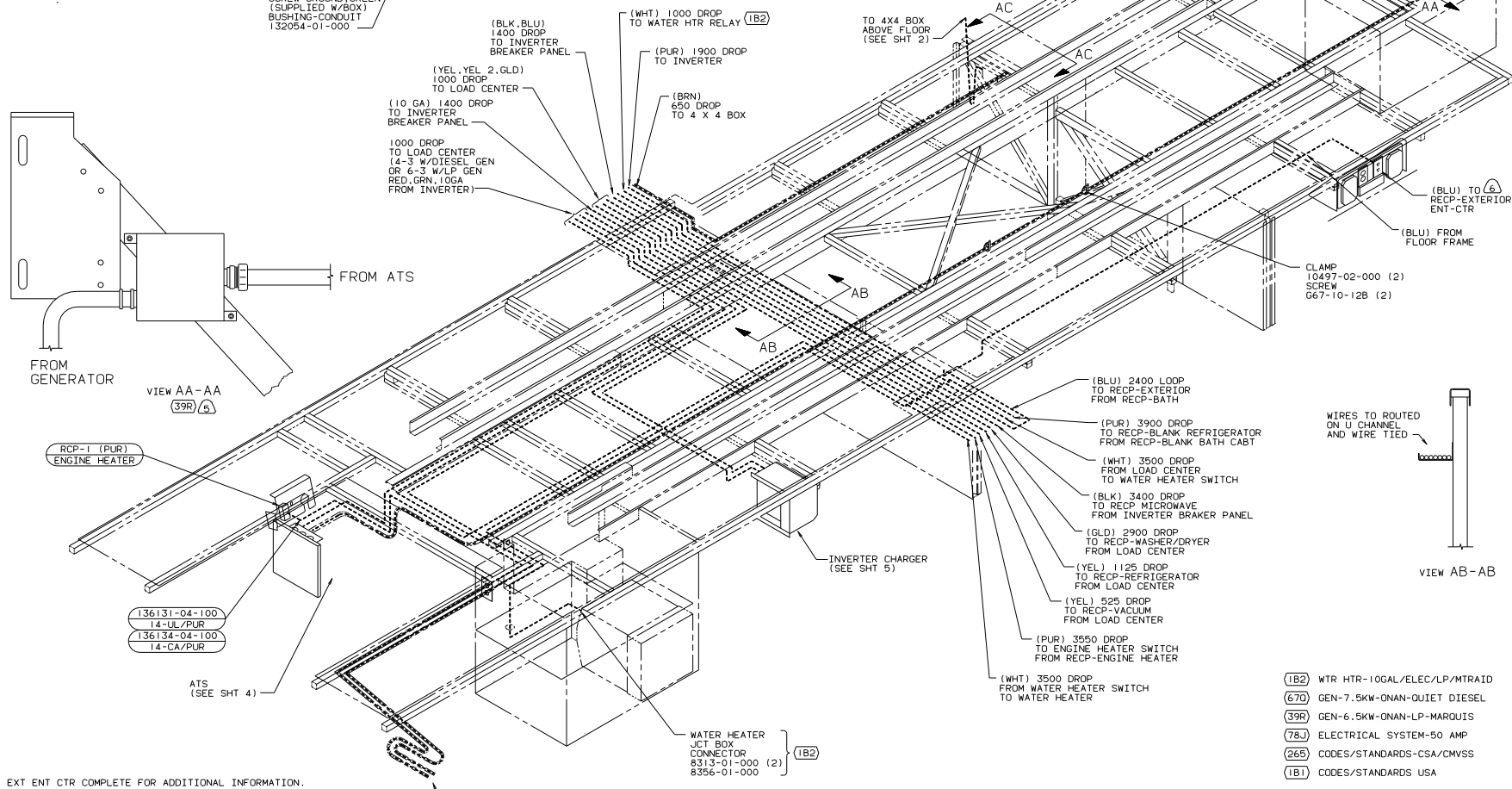
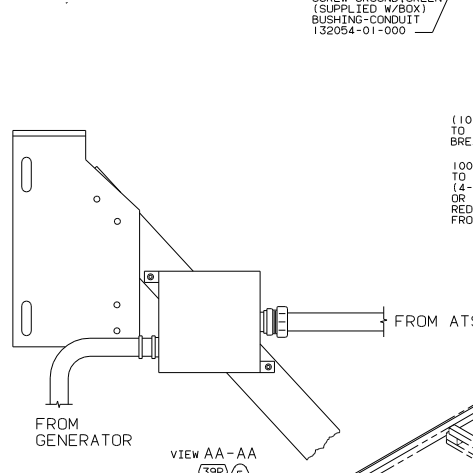
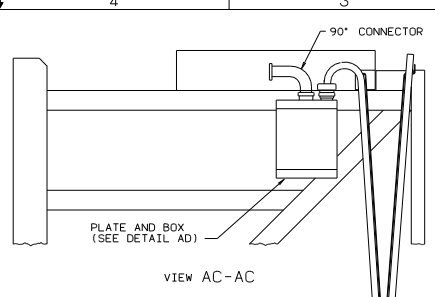
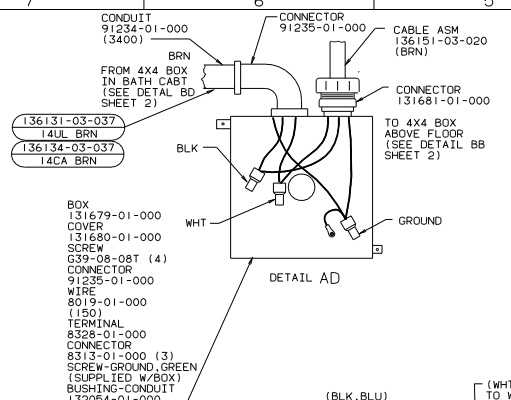
FOR ELECTRICAL CALLOUTS SEE DWG NO. 121339-01-000

FOR ELECTRICAL TORQUE SPECIFICATIONS SEE DWG NO. 128783-01-000

- 25E REAR STEREO SYSTEM W/CD
- 78K SATELLITE DISH-AUTOMATIC
- 76C ENTERTAINMENT CTR/EXT CASSETTE
- 480 SATELLITE DISH
- 265 CODES/STANDARDS-CSA/CMVSS
- 26L REAR STEREO SYSTEM W/CASSETTE
- 105 ENTERTAINMENT CENTR/EXT W/CD
- 181 CODES/STANDARDS USA
- 02 036C 181 265

DWG NO.	FEATURE
137738-01	-----
137738-14	(181)(78J)(79J)
137738-18	(265)(78J)(79J)

RELEASE	DATE	BY	DATE	BY	NO.
A					137738
REV	NO.	REVISION	RECORD	DATE	BY



- (6) SEE EXT ENT CTR COMPLETE FOR ADDITIONAL INFORMATION.
 (5) SEE GENERATOR INSTALLATION FOR ADDITIONAL INFORMATION.
 4. SEE WIRING DIAGRAM-BODY FOR ADDITIONAL INFORMATION.
 3. ALL GROUND WIRES ARE TO BE COVERED WITH TUBING 8041-02-000.
 2. ALL WIRES ARE TO BE CLAMPED WITH CLAMP 10495-01-000 OR CLIP 80734-02-000 EVERY 600. USE SCREW G67-10-12B UNLESS OTHERWISE SPECIFIED.
 1. ALL WIRE TO BE CLAMPED WITH CLAMP 10495-01-000 OR CLIP 80734-02-000 EVERY 600. USE SCREW G67-10-12B UNLESS OTHERWISE SPECIFIED.

- (182) WTR HTR-10GAL/ELEC/LP/MTR/ID
 (670) GEN-7.5KW-ONAN-QUIET DIESEL
 (39R) GEN-6.5KW-ONAN-LP-MARQUIS
 (78J) ELECTRICAL SYSTEM-50 AMP
 (265) CODES/STANDARDS-CSA/CMVSS
 (181) CODES/STANDARDS USA

(181) (265) (78J)

FOR ELECTRICAL TORQUE SPECIFICATIONS SEE DWG NO. 128783-01-000

FOR ELECTRICAL CALIBRATIONS SEE DWG NO. 121339-01-000

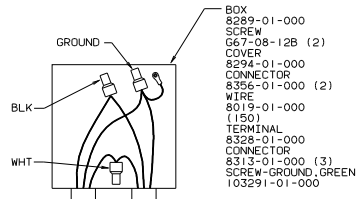
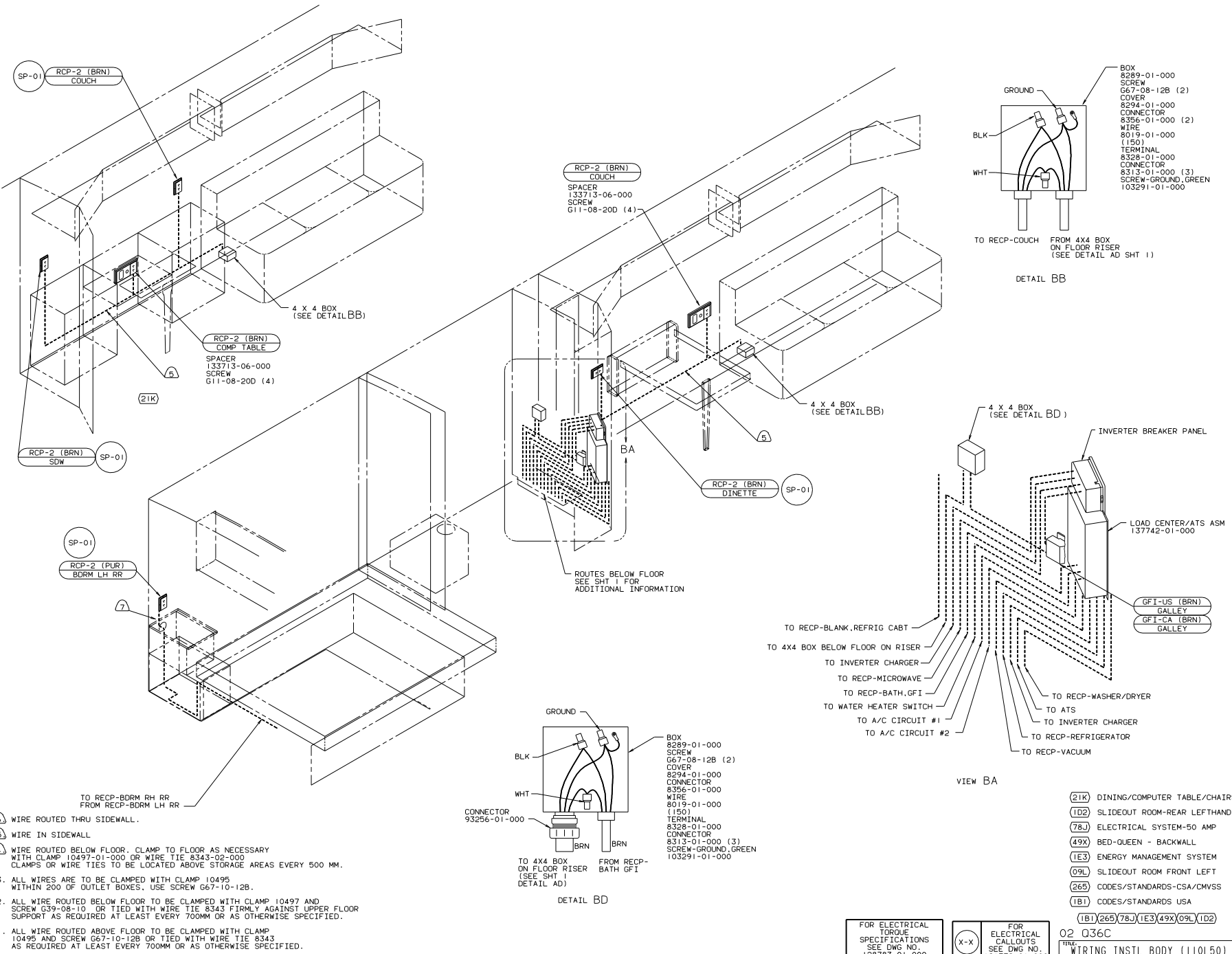
WINNERCO 02 036c

DATE	UNSPECIFIED TOLERANCES ARE:	MATERIAL
DATE	UNLESS OTHERWISE SPECIFIED	
DATE	ONE-PLACE (1X, 1X)	
DATE	TWO-PLACE (2X, 2X)	
DATE	THREE-PLACE (3X, 3X)	
DATE	THREE-PLACE (3X, 3X)	

WIRING INSTL-BODY(110 BF)

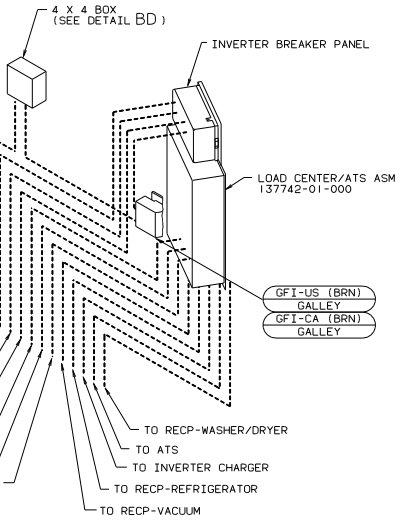
SCALE: NONE DO NOT SCALE DIMENSIONS

REF: 135192 H | PAGE 43

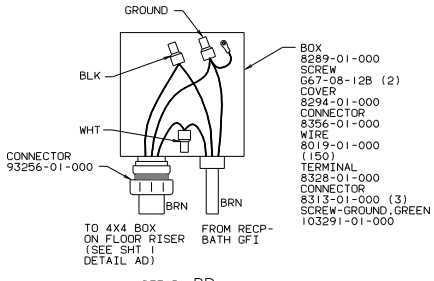


TO RECP-COUCH
FROM 4X4 BOX ON FLOOR RISER (SEE DETAIL AD SHT 1)

DETAIL BB



VIEW BA



DETAIL BD

- TO RECP-BDRM RH RR FROM RECP-BDRM LH RR
- TO RECP-BDRM LH RR FROM RECP-BDRM LH RR
6. WIRE ROUTED THRU SIDEWALL.
7. WIRE IN SIDEWALL.
4. WIRE ROUTED BELOW FLOOR. CLAMP TO FLOOR AS NECESSARY WITH CLAMP 10497-01-000 OR WIRE TIE 8343-02-000 CLAMPS OR WIRE TIES TO BE LOCATED ABOVE STORAGE AREAS EVERY 500 MM.
3. ALL WIRES ARE TO BE CLAMPED WITH CLAMP 10495 WITHIN 200 OF OUTLET BOXES, USE SCREW G67-10-12B.
2. ALL WIRE ROUTED BELOW FLOOR TO BE CLAMPED WITH CLAMP 10497 AND SCREW G39-08-10 OR TIED WITH WIRE TIE 8343 FIRMLY AGAINST UPPER FLOOR SUPPORT AS REQUIRED AT LEAST EVERY 700MM OR AS OTHERWISE SPECIFIED.
1. ALL WIRE ROUTED ABOVE FLOOR TO BE CLAMPED WITH CLAMP 10495 AND SCREW G67-10-12B OR TIED WITH WIRE TIE 8343 AS REQUIRED AT LEAST EVERY 700MM OR AS OTHERWISE SPECIFIED.

- 21K DINING/COMPUTER TABLE/CHAIRS
- 102 SLIDEOUT ROOM-REAR LETHAND
- 78J ELECTRICAL SYSTEM-50 AMP
- 49X BED-QUEEN - BACKWALL
- 1E3 ENERGY MANAGEMENT SYSTEM
- 09L SLIDEOUT ROOM FRONT LEFT
- 265 CODES/STANDARDS-CSA/CMVSS
- 1B1 CODES/STANDARDS USA
- 1B1/265/78J/1E3/49X/09L/102

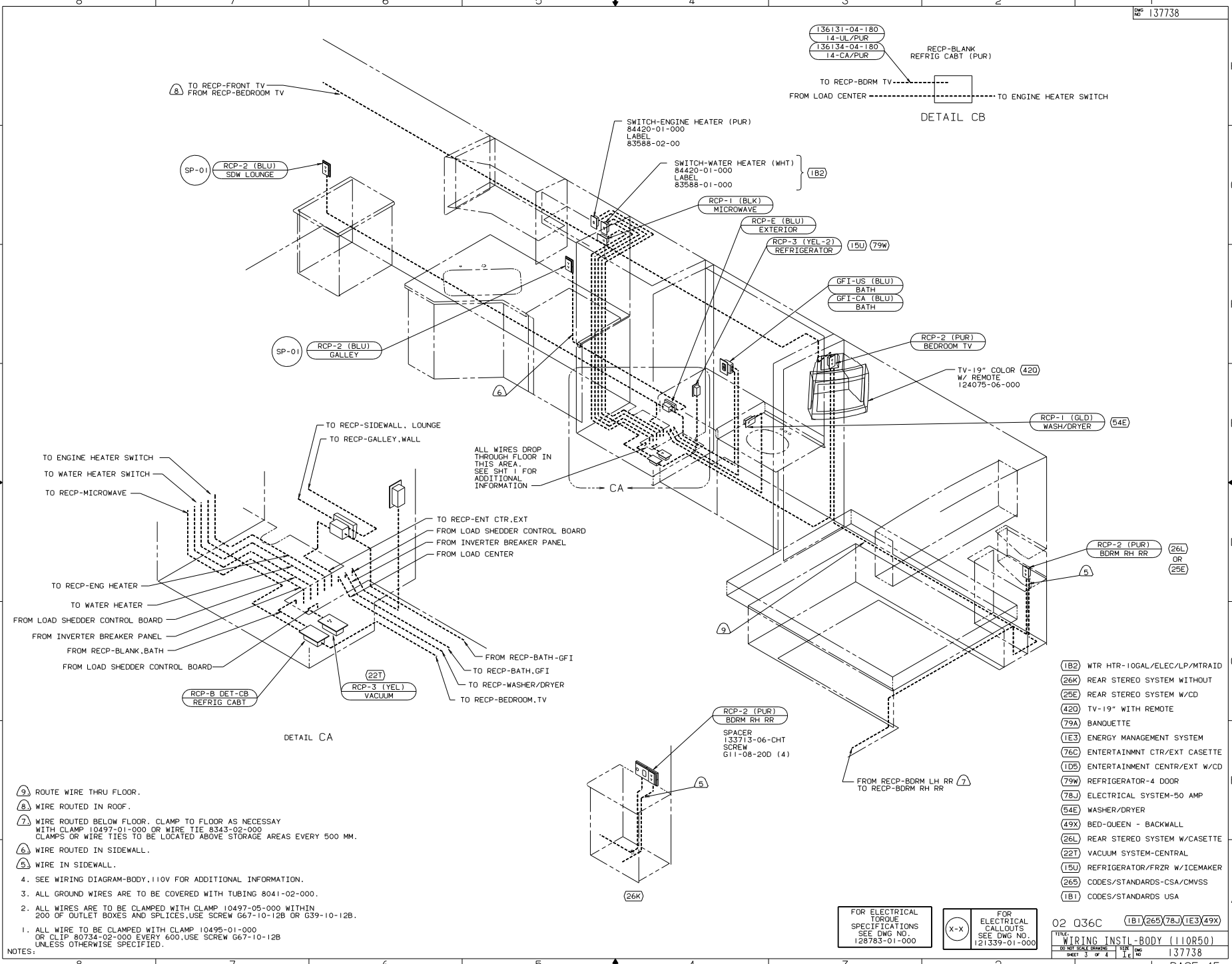
FOR ELECTRICAL TORQUE SPECIFICATIONS SEE DWG NO. 128783-01-000

FOR ELECTRICAL CALLOUTS SEE DWG NO. 121339-01-000

02 036C

WIRING INSTL BODY (110L50)

137738

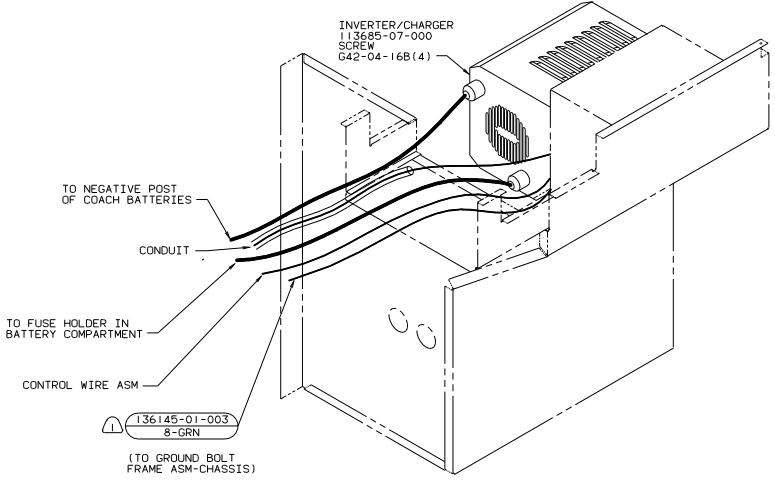


9. ROUTE WIRE THRU FLOOR.
 8. WIRE ROUTED IN ROOF.
 7. WIRE ROUTED BELOW FLOOR. CLAMP TO FLOOR AS NECESSARY WITH CLAMP 10497-01-000 OR WIRE TIE 8343-02-000. CLAMPS OR WIRE TIES TO BE LOCATED ABOVE STORAGE AREAS EVERY 500 MM.
 6. WIRE ROUTED IN SIDEWALL.
 5. WIRE IN SIDEWALL.
 4. SEE WIRING DIAGRAM-BODY, 110V FOR ADDITIONAL INFORMATION.
 3. ALL GROUND WIRES ARE TO BE COVERED WITH TUBING 8041-02-000.
 2. ALL WIRES ARE TO BE CLAMPED WITH CLAMP 10497-05-000 WITHIN 200 OF OUTLET BOXES AND SPLICES. USE SCREW G67-10-12B OR G39-10-12B.
 1. ALL WIRE TO BE CLAMPED WITH CLAMP 10495-01-000 OR CLIP 80734-02-000 EVERY 600. USE SCREW G67-10-12B UNLESS OTHERWISE SPECIFIED.

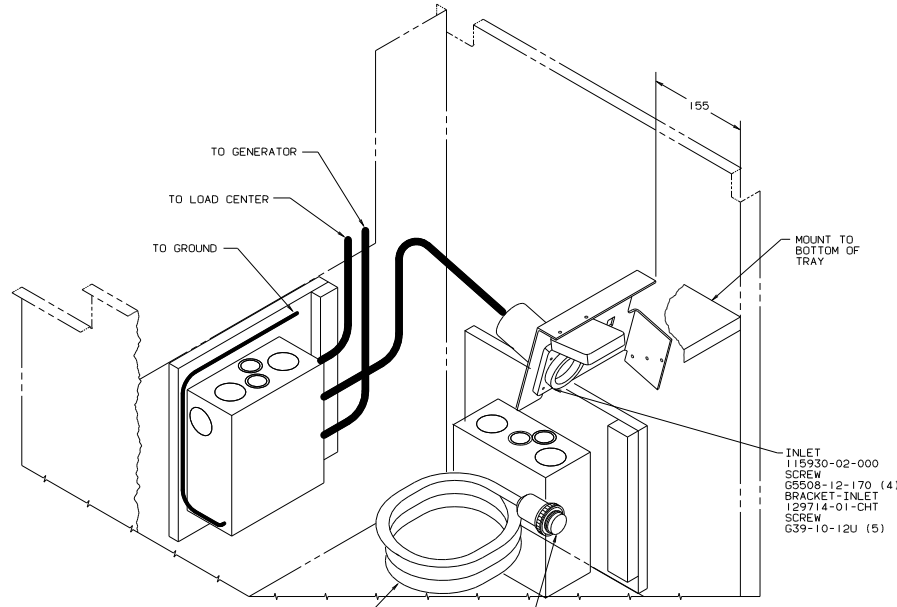
- (182) WTR HTR-10GAL/ELEC/LP/MTRAIID
- (26K) REAR STEREO SYSTEM WITHOUT
- (25E) REAR STEREO SYSTEM W/CD
- (420) TV-19" WITH REMOTE
- (79A) BANQUETTE
- (IE3) ENERGY MANAGEMENT SYSTEM
- (76C) ENTERTAINMNT CTR/EXT CASSETTE
- (1D5) ENTERTAINMENT CENTR/EXT W/CD
- (79W) REFRIGERATOR-4 DOOR
- (78J) ELECTRICAL SYSTEM-50 AMP
- (54E) WASHER/DRYER
- (49X) BED-QUEEN - BACKWALL
- (26L) REAR STEREO SYSTEM W/CASSETTE
- (22T) VACUUM SYSTEM-CENTRAL
- (15U) REFRIGERATOR/FRZR W/ICEMAKER
- (265) CODES/STANDARDS-CSA/CMVSS
- (1B1) CODES/STANDARDS USA

FOR ELECTRICAL TORQUE SPECIFICATIONS SEE DWG NO. 128783-01-000
 FOR ELECTRICAL CALLOUTS SEE DWG NO. 121339-01-000

02 036C (1B1)265(78J)(IE3)49X
 WIRING INSTL-BODY (110R50)
 SHEET 3 OF 4



INVERTER/CHARGER



SEE LOAD CENTER/ATS ASM FOR ADDITIONAL INFORMATION

- 3. CONNECT ROMEX FROM MAIN LOAD CENTER TO AC INPUT AND ROMEX TO SMALL SUB PANEL TO AC OUTPUT. USE WIRE NUTS AND STRAIN RELIEF CONNECTORS SUPPLIED WITH INVERTER/CHARGER. CONNECT REMOTE PANEL CONTROL CABLE TO CONNECTION ON BASE OF INVERTER/CHARGER.
- 2. ALL WIRES TO BE CLAMPED WITHIN 200 OF BOX.
- ⚠ WIRE W/O TERMINALS TO BE STRIPPED 10 AND SOLDER DIPPED.

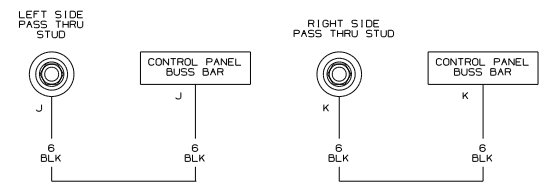
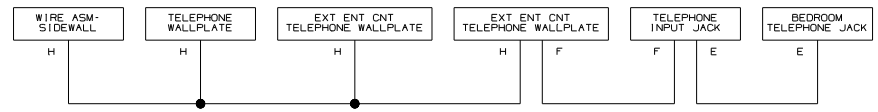
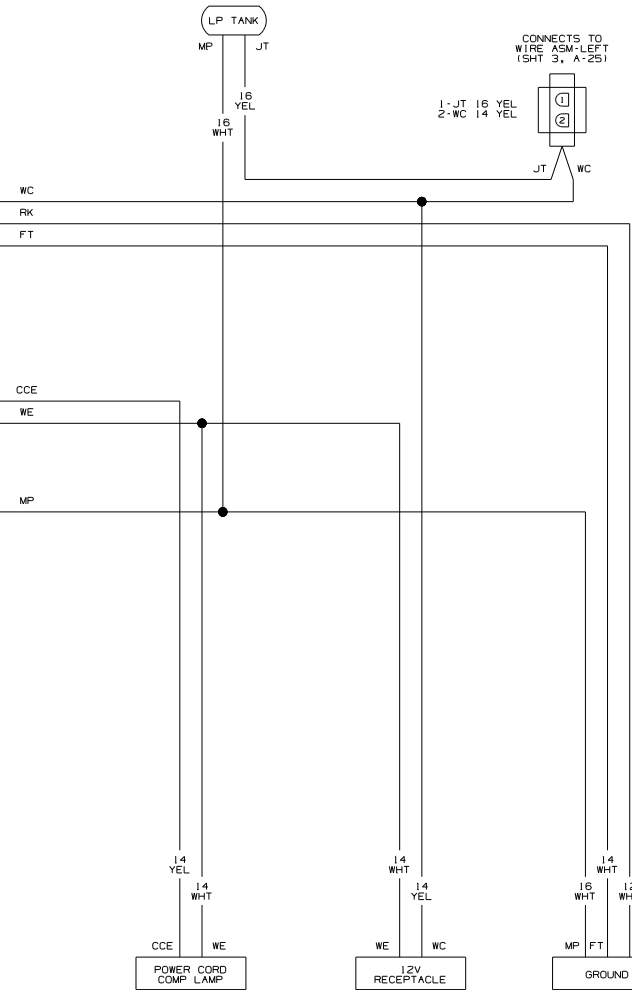
NOTES:

(265) CODES/STANDARDS-CSA/CMVSS
(181) CODES/STANDARDS USA

FOR ELECTRICAL TORQUE SPECIFICATIONS SEE DWG NO. 129783-01-000

FOR ELECTRICAL CALLOUTS SEE DWG NO. 121339-01-000

02 Q36C (181)(265)
 TITLE: WIRING INSTL-BODY(ATS)
 DO NOT SCALE DRAWING SHEET 4 OF 4 I.F. NO. 137738



WIRING DIAGRAM-WIRE ASM-CHASSIS
 (WIRE ASM 139817)

WINNEBAGO

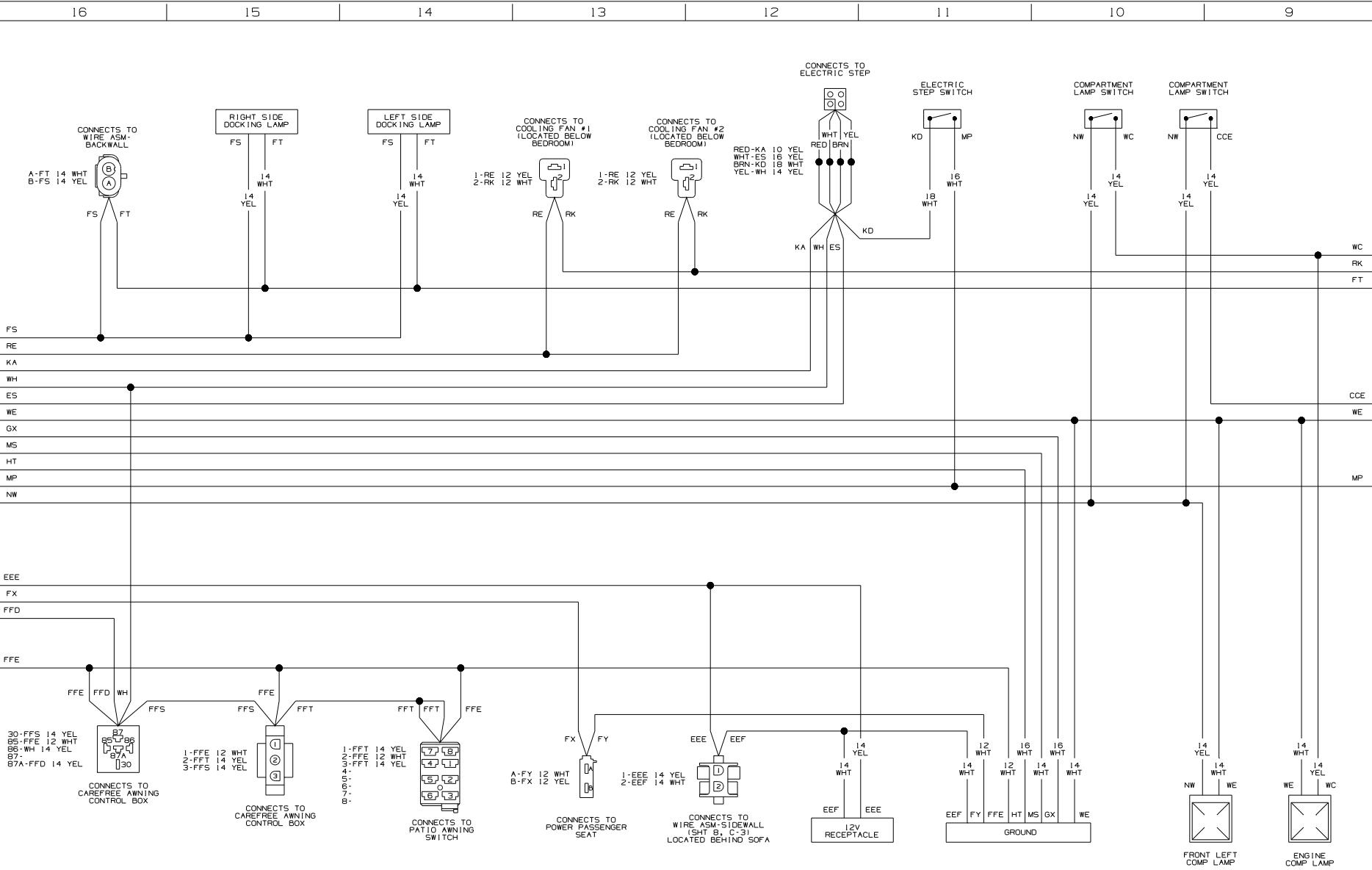
DATE: 04/30/01
 ALL DIMENSIONS ARE IN MILLIMETERS
 FIRST USED: 02 Q38K

UNSPECIFIED TOLERANCES ARE:
 SHAFT DIA .015
 ONE-PLACE .15(.01)
 TWO-PLACE .15(.005)
 ANGLE .5

THIRD ANGLE PROJECTION

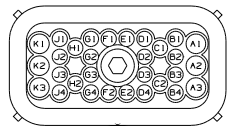
DO NOT SCALE DRAWING
 WIRING DIAGRAM-BODY, 12V

SHEET 1 OF 11 PART NO 139711
 REF: 1 PAGE 49

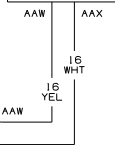


- A1-AAX 16 WHT
- A2-MK 14 YEL
- A3-FS 14 YEL
- B1-KY 16 YEL
- B2-AT 16 WHT
- B3-KW 16 YEL
- B4-AS 16 YEL
- CC1-
- C2-TM 16 WHT
- OL-LL 16 WHT
- D2-LM 16 WHT
- D3-LN 16 WHT
- OD4-HU 16 YEL
- E1-MM 14 YEL
- E2-HS 16 YEL
- HU
- LL
- LM
- LN
- ER
- DJ
- DK
- MK
- FX
- PY
- KY
- AT
- KW
- AS
- DL
- DM
- PJ
- WH
- KA
- RE
- FS
- AAA
- TM
- RB
- MM
- RA
- AAX
- AAW
- 16 WHT
- 16 YEL

CONNECTS TO WIRE ASM-IP MAIN



SUBWOOFER



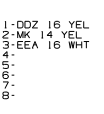
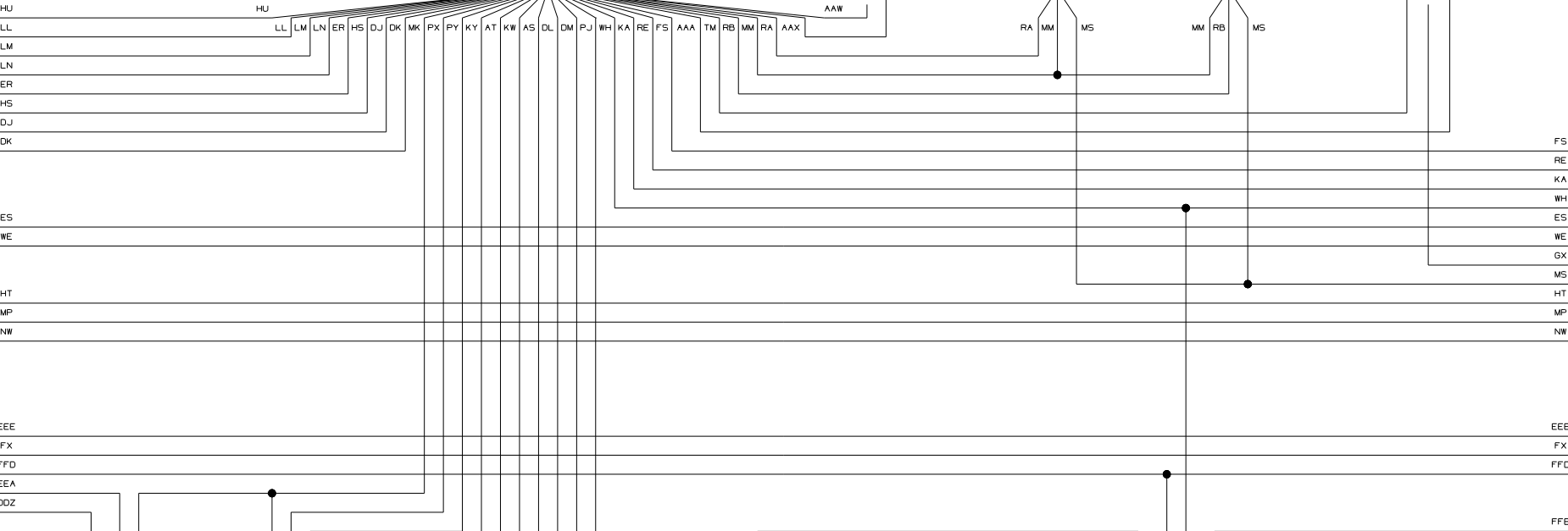
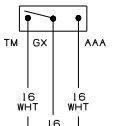
CONNECTS TO WIRE ASM-SIDEMARKER (LEFT) (LOCATED BELOW WARDROBE CABT)



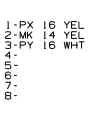
CONNECTS TO WIRE ASM-SIDEMARKER (RIGHT) (LOCATED BELOW WARDROBE CABT)



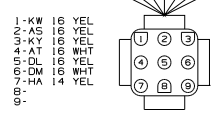
STEP COVER SWITCH



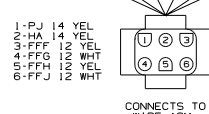
CONNECTS TO POWER COMP DOOR LOCK SWITCH



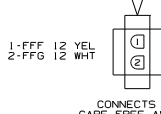
CONNECTS TO POWER DOOR LOCK SWITCH



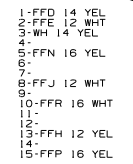
CONNECTS TO WIRE ASM-RIGHT (SHT 4, A-14) (LOCATED BELOW LAVATORY CABT)



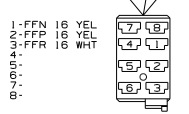
CONNECTS TO WIRE ASM-SIDEWALL, RIGHT (SHT 7, B-7)



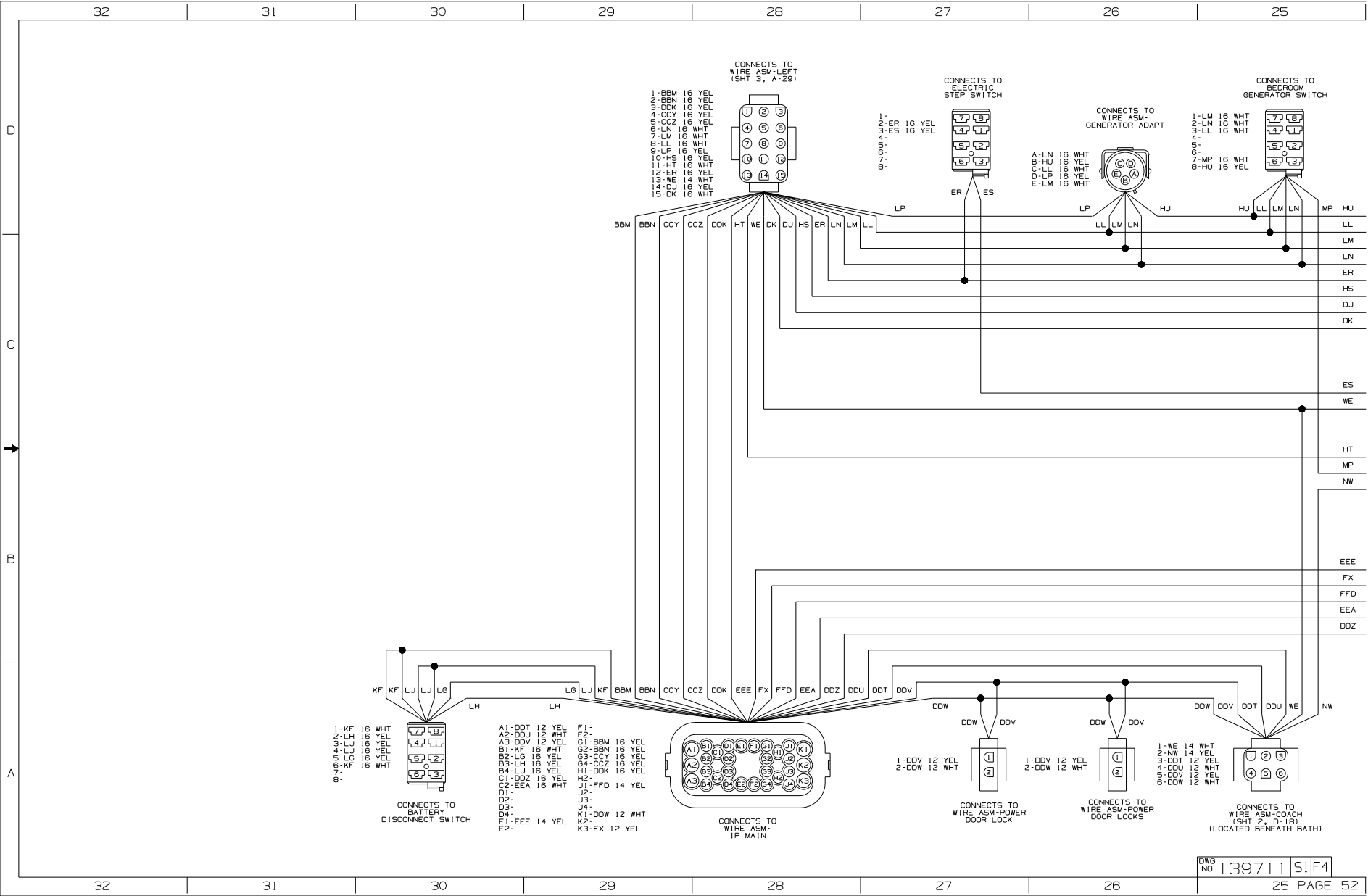
CONNECTS TO CARE FREE AWNING CONTROL BOX

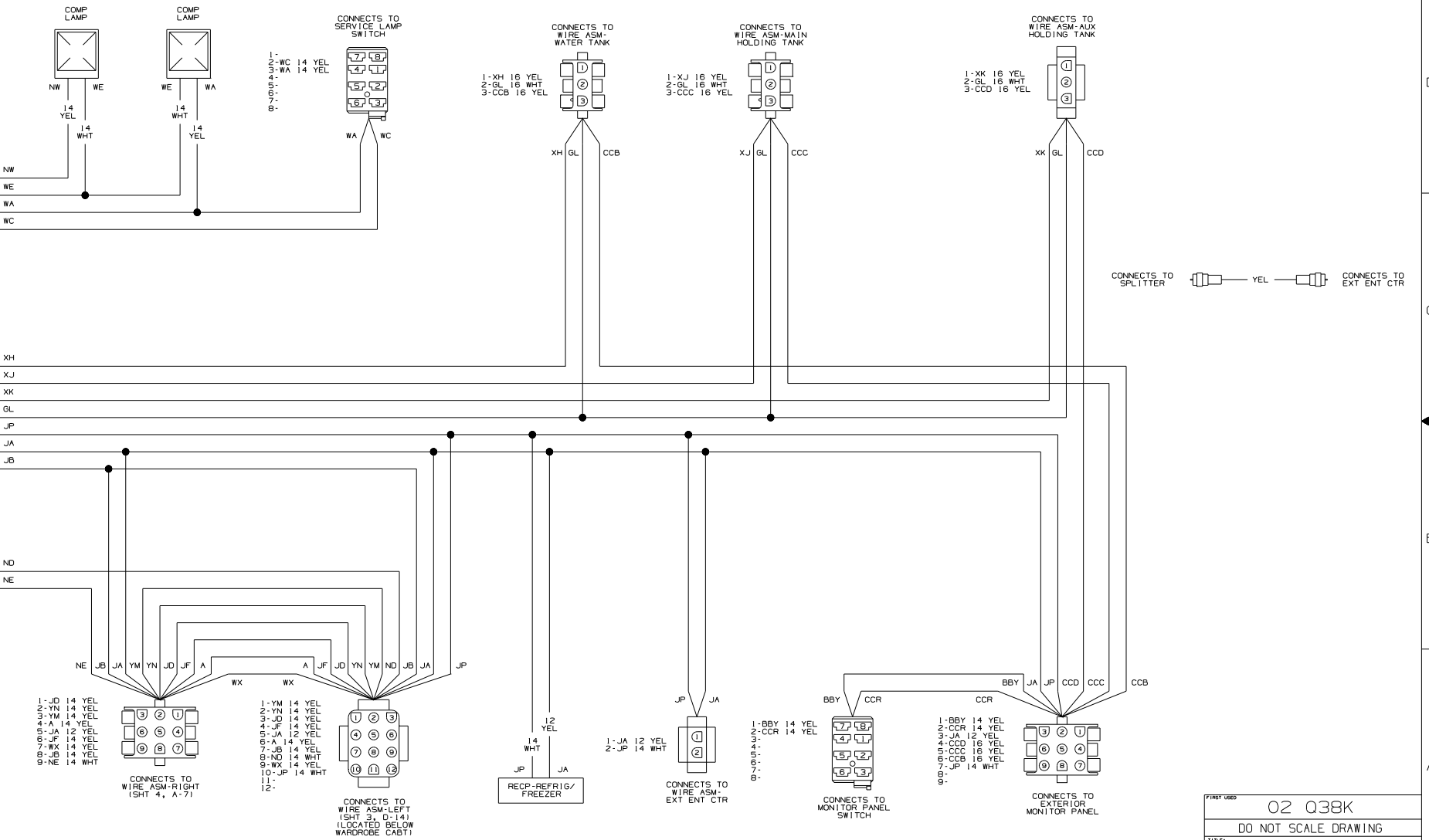


CONNECTS TO DOMESTIC CONTROL BOX



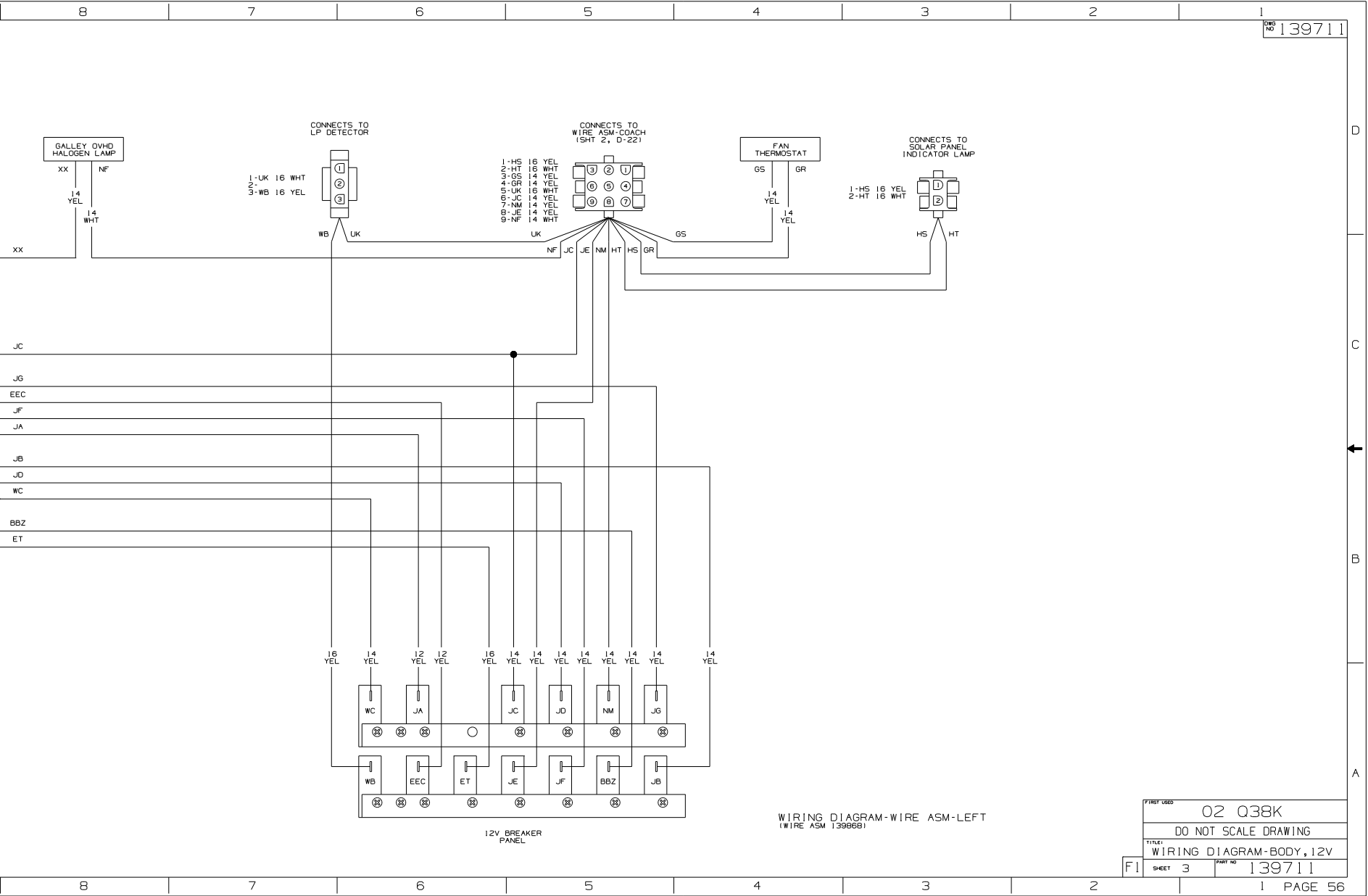
CONNECTS TO DOOR AWNING SWITCH





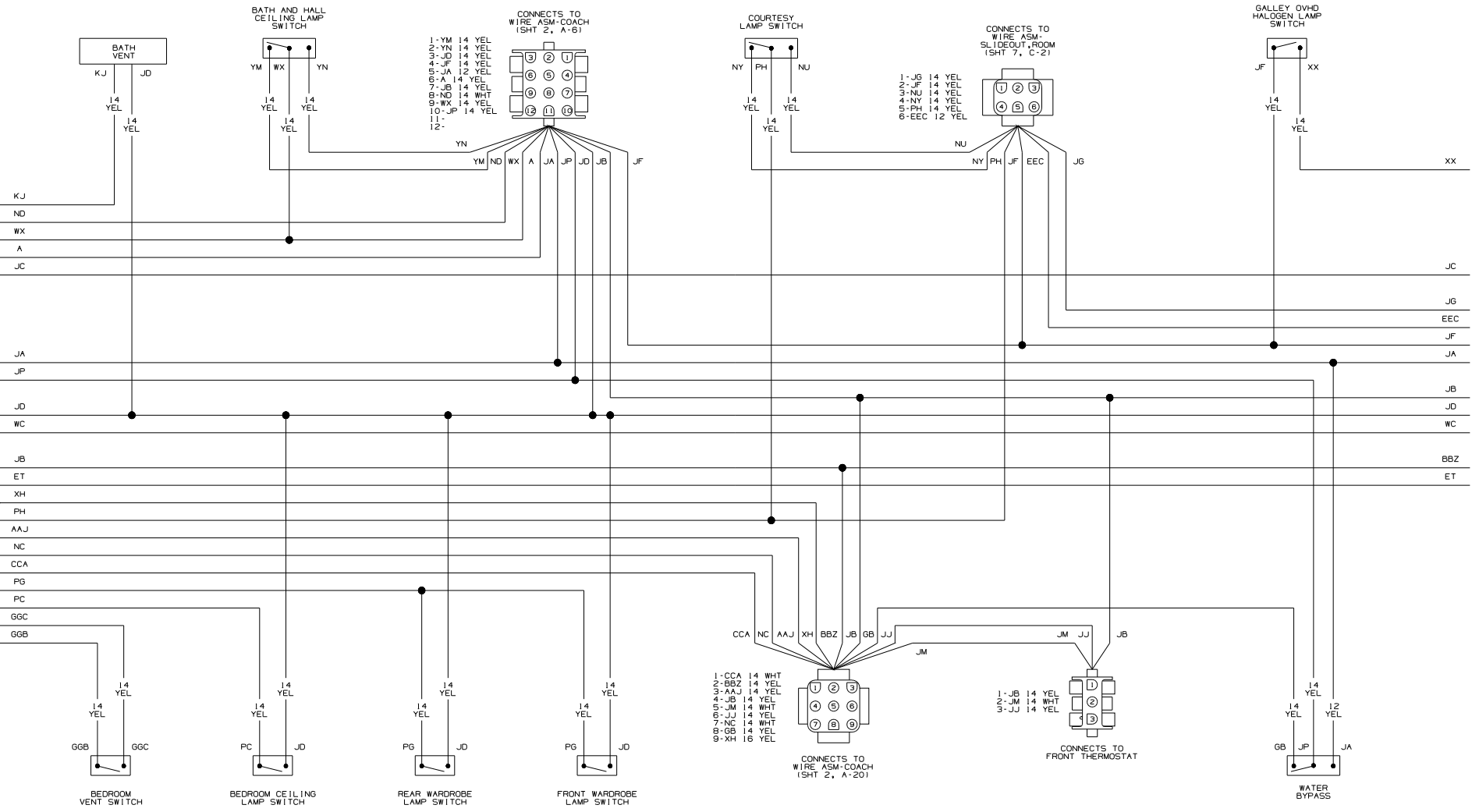
WIRING DIAGRAM-WIRE ASM-LEFT (WIRE ASM 139638)

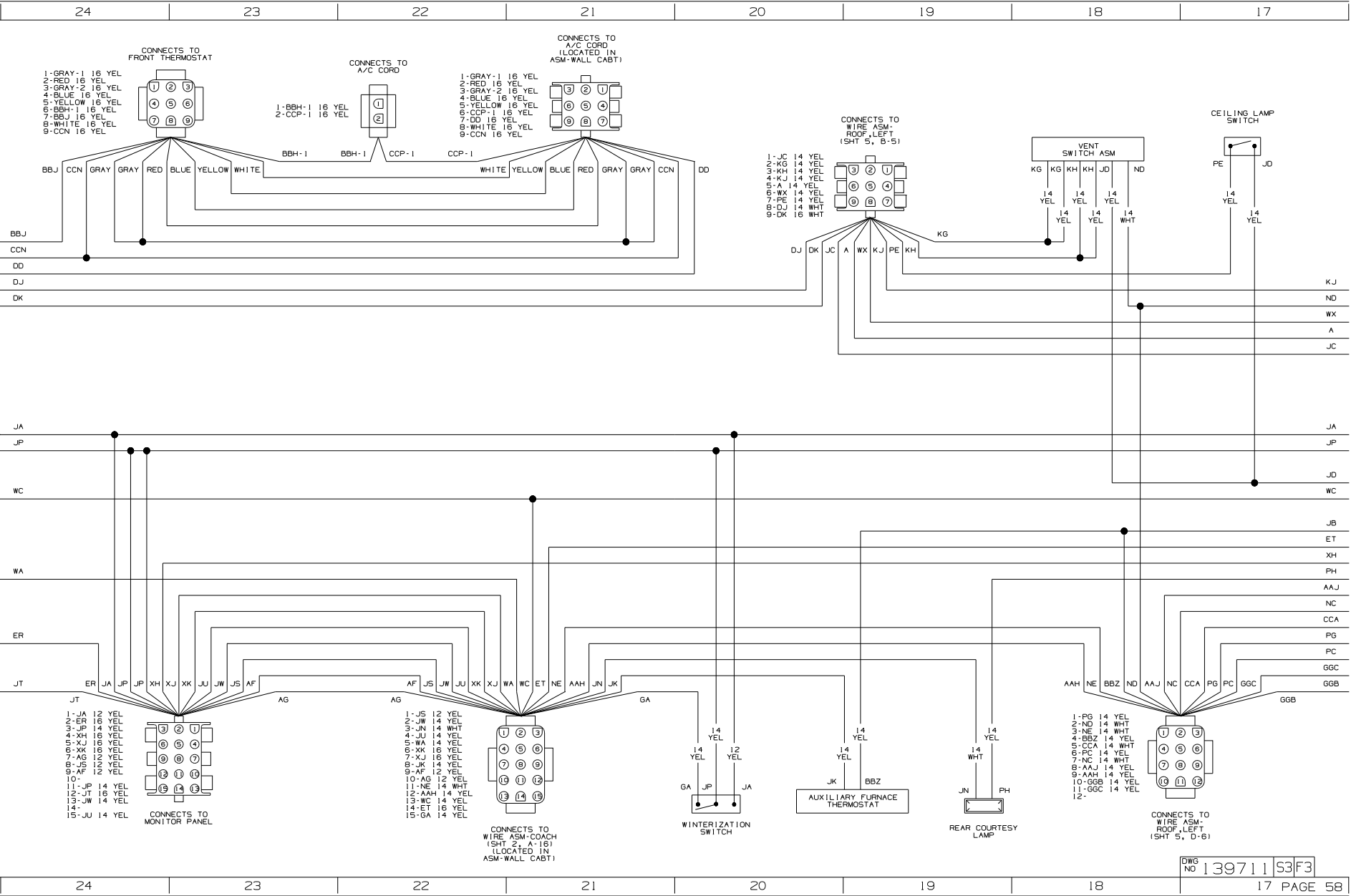
FIRST USED	02 Q38K
TITLE	DO NOT SCALE DRAWING
TITLE	WIRING DIAGRAM-BODY,12V
SHEET	2
PART NO	139711

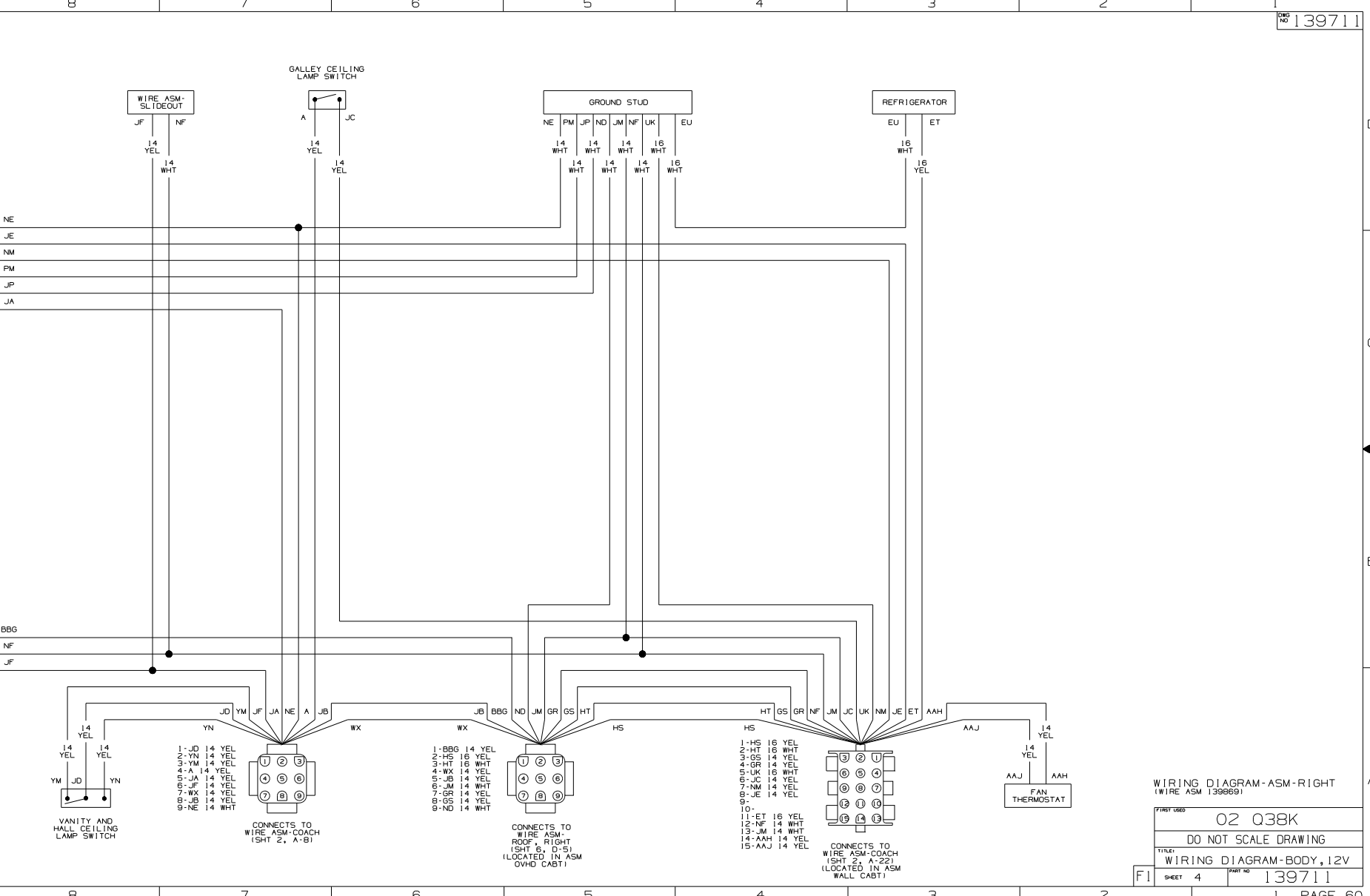


WIRING DIAGRAM-WIRE ASM-LEFT (WIRE ASM 139868)

FIRST USED		02 Q38K	
DO NOT SCALE DRAWING			
TITLE: WIRING DIAGRAM-BODY, 12V			
F1	SHEET 3	PART NO	139711







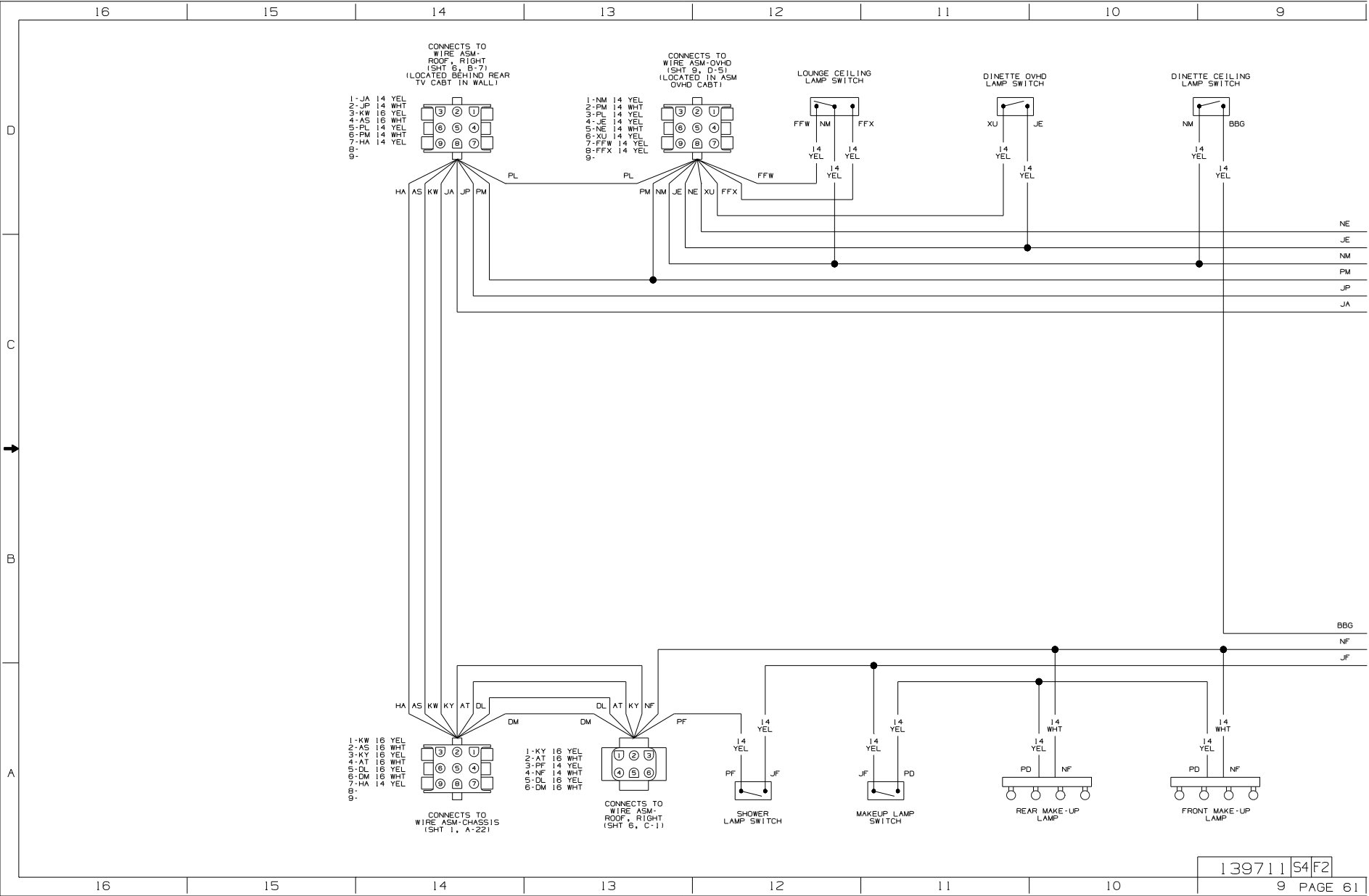
WIRING DIAGRAM-ASM-RIGHT (WIRE ASM 139889)

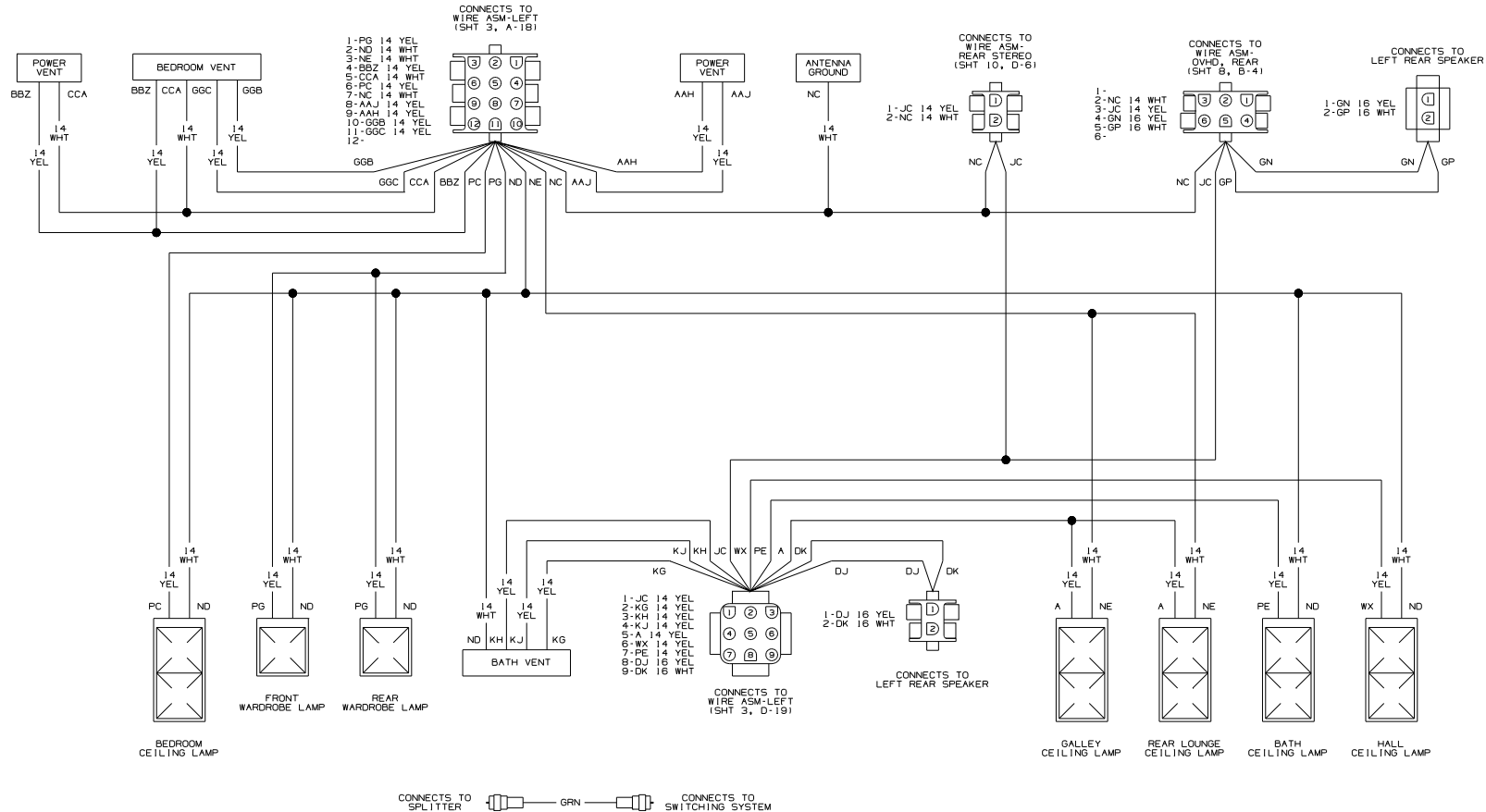
FIRST USED 02 Q38K

DO NOT SCALE DRAWING

TITLE: WIRING DIAGRAM-BODY,12V

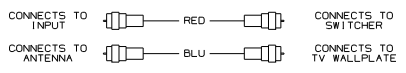
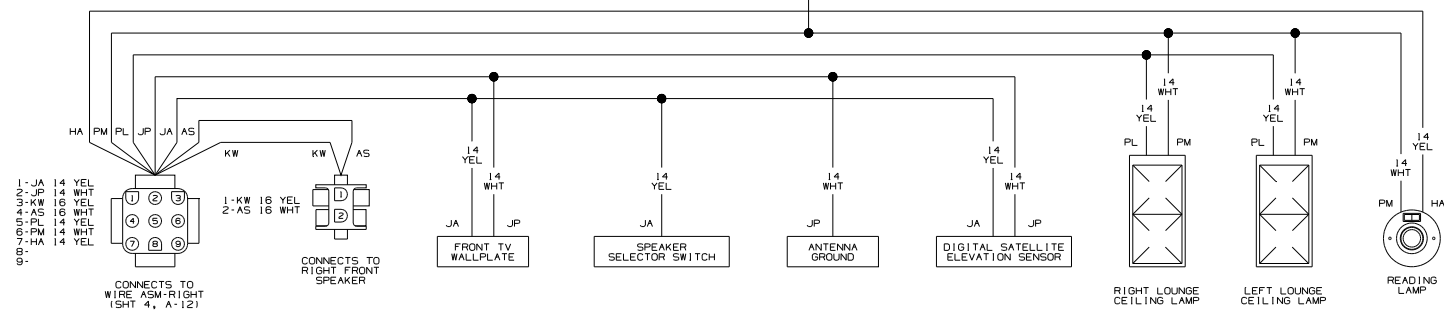
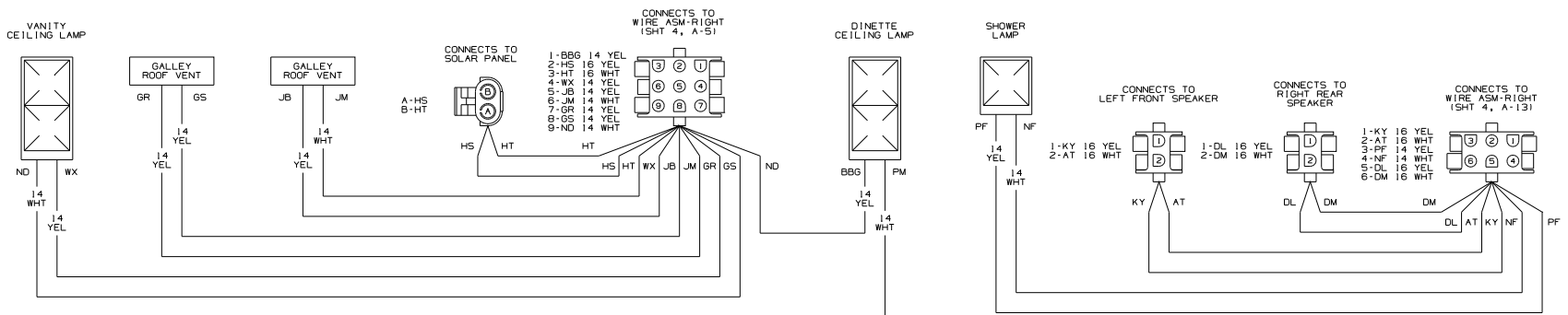
F1 SHEET 4 PART NO 139711





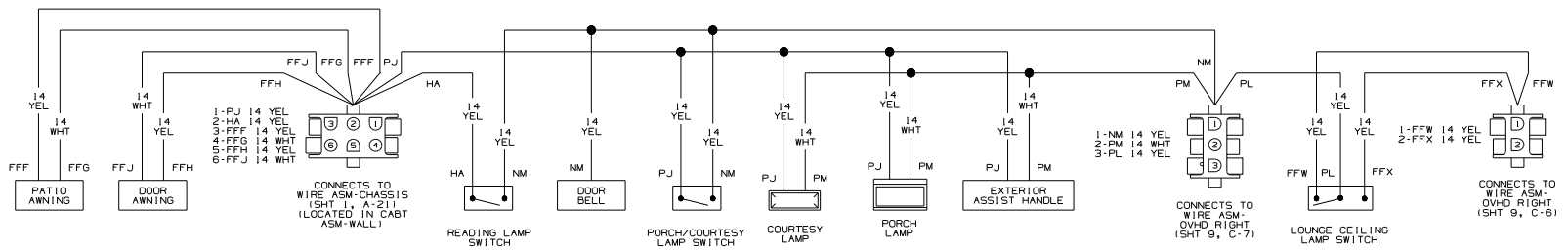
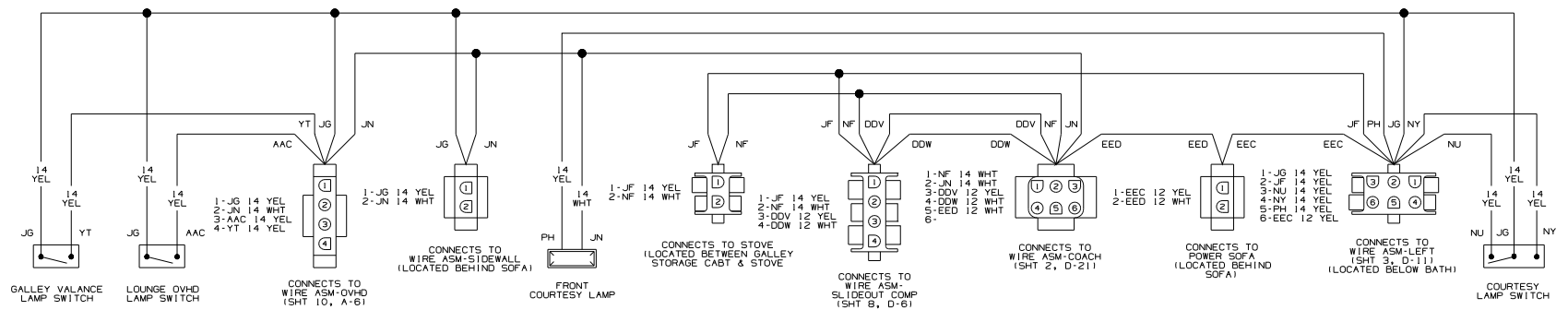
WIRING DIAGRAM-ROOF, LEFT (WIRE ASM 139847)

FIRST USED	02 Q38K	
DO NOT SCALE DRAWING		
TITLE:	WIRING DIAGRAM-BODY, 12V	
SHEET	5	PART NO 139711

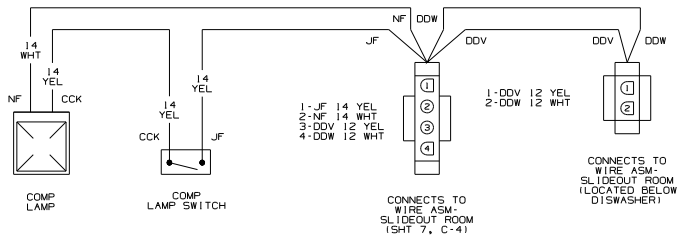


WIRING DIAGRAM-ROOF, RIGHT
(WIRE ASM 139777)

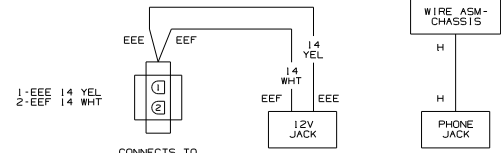
FIRST USED	02 Q38K
DO NOT SCALE DRAWING	
TITLE:	WIRING DIAGRAM-BODY, 12V
SHEET 6	PART NO 139711



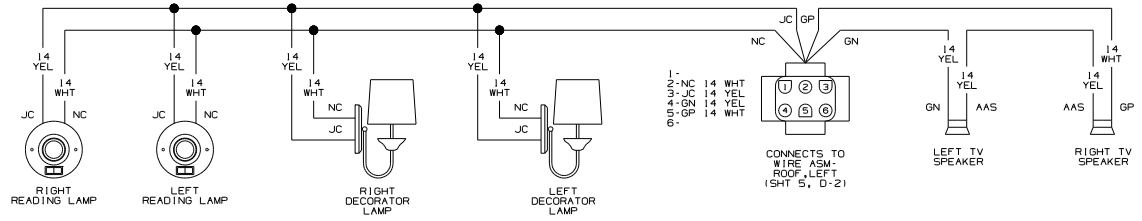
FIRST USED	02 Q38K
TITLE:	DO NOT SCALE DRAWING
SHEET	7
PART NO	139711



WIRING DIAGRAM - COMP, SLIDEOUT
(WIRE ASM 129845)

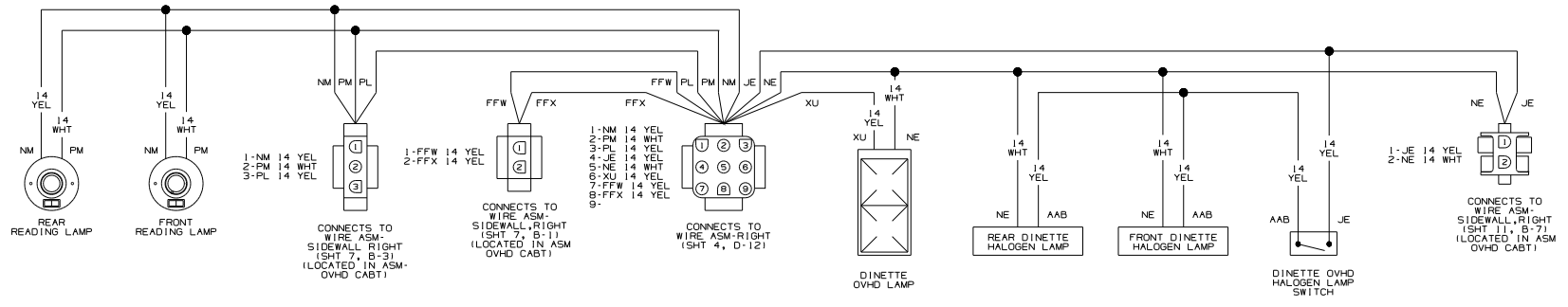


WIRING DIAGRAM - SIDEWALL
(WIRE ASM 139057)

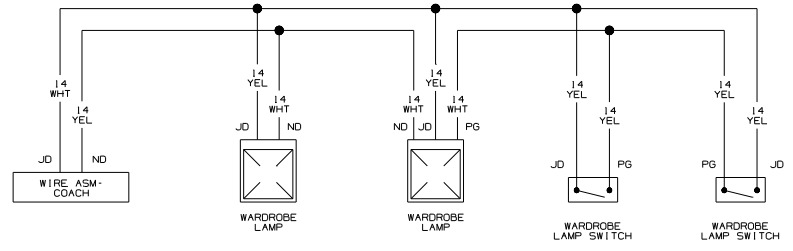


WIRING DIAGRAM - OVHD, REAR
(WIRE ASM 133455)

FIRST USED	02 Q38K
DO NOT SCALE DRAWING	
TITLE:	WIRING DIAGRAM - BODY, 12V
SHEET 8	PART NO 139711

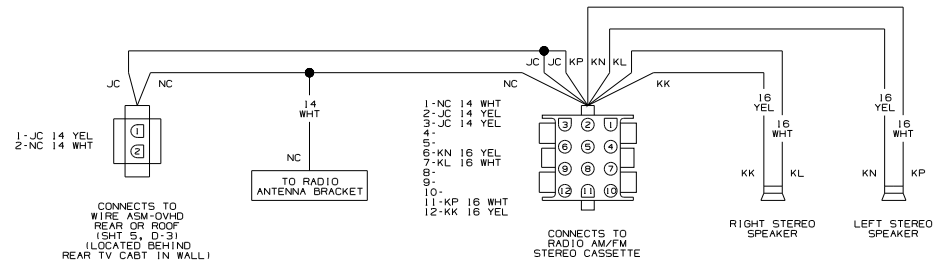


WIRING DIAGRAM-OVHD, RIGHT
(WIRE ASM 139037)

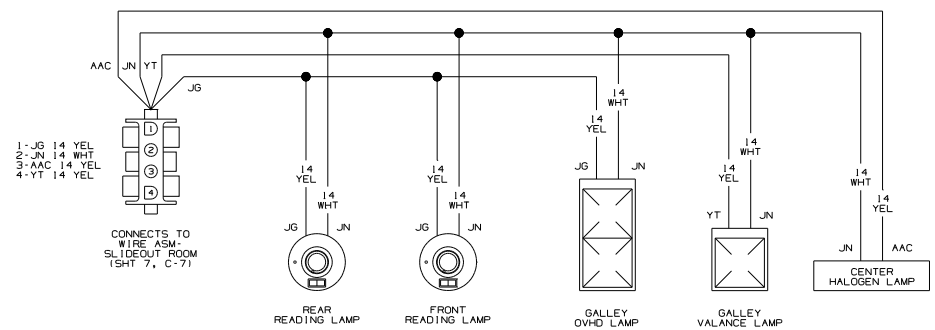


WIRING DIAGRAM-SLIDEOUT, REAR
(WIRE ASM 137456)

FIRST USED	02 Q38K
DO NOT SCALE DRAWING	
TITLE:	WIRING DIAGRAM-BODY, 12V
SHEET 9	PART NO 139711

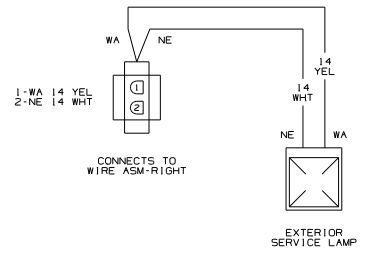


WIRING DIAGRAM-REAR STEREO
(WIRE ASM 124336)

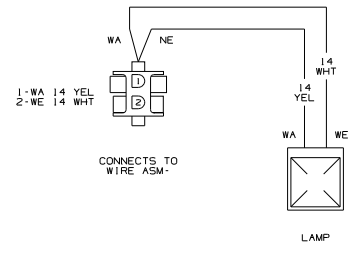


WIRING DIAGRAM-OVHD SLIDE
(WIRE ASM 133396)

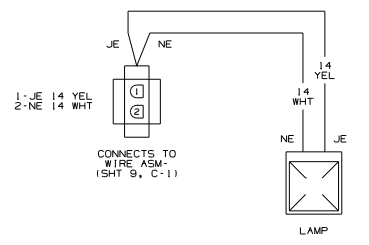
FIRST USED	02 Q38K
DO NOT SCALE DRAWING	
TITLE: WIRING DIAGRAM-BODY, 12V	
SHEET 10	PART NO 139711



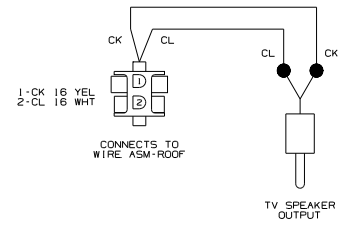
WIRING DIAGRAM-SIDEWALL,LEFT
(WIRE ASM 123754)



WIRING DIAGRAM-ROOF,CENTER
(WIRE ASM 77093)



WIRING DIAGRAM-PORCH LIGHT
(WIRE ASM 93051)

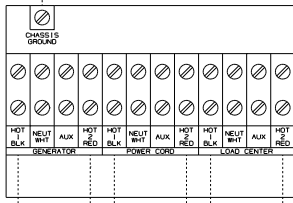
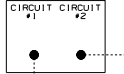
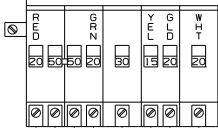


WIRING DIAGRAM-SPEAKER,TV
(WIRE ASM 104271)

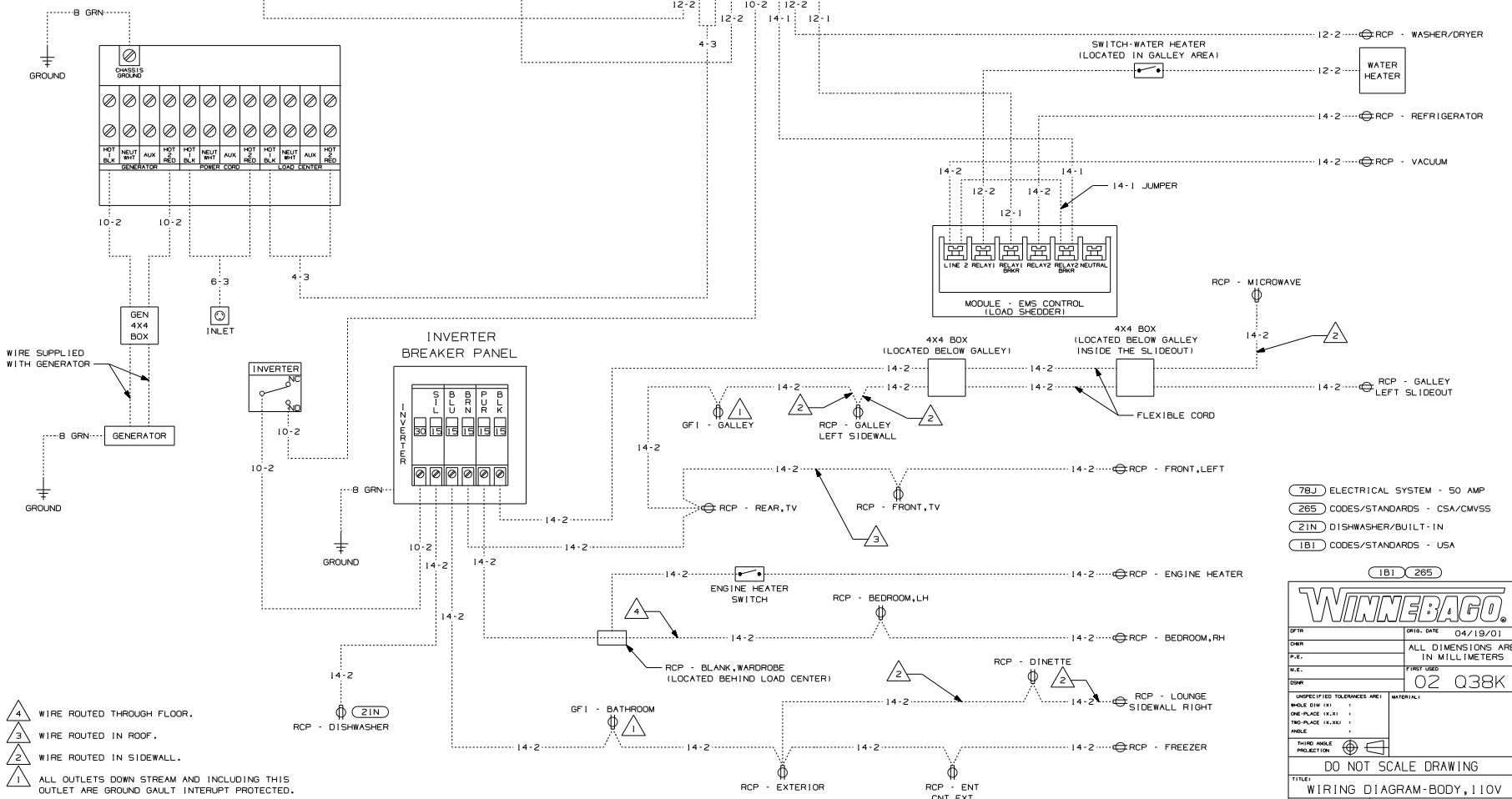
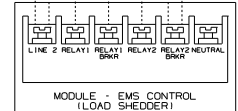
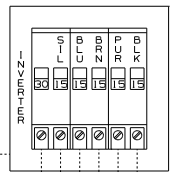
FIRST USED	02 Q38K	
TITLE:	DO NOT SCALE DRAWING	
SHEET	11	PART NO 139711

CENTRAL AIR UNIT
 (LOCATED IN RIGHT REAR
 COMPARTMENT BELOW FLOOR)

LOAD CENTER



INVERTER BREAKER PANEL



- NOTES:
- 4 WIRE ROUTED THROUGH FLOOR.
 - 3 WIRE ROUTED IN ROOF.
 - 2 WIRE ROUTED IN SIDEWALL.
 - 1 ALL OUTLETS DOWN STREAM AND INCLUDING THIS OUTLET ARE GROUND FAULT INTERRUPT PROTECTED.

- 78J ELECTRICAL SYSTEM - 50 AMP
- 285 CODES/STANDARDS - CSA/CMVSS
- 2IN DISHWASHER/BUILT-IN
- 1B1 CODES/STANDARDS - USA

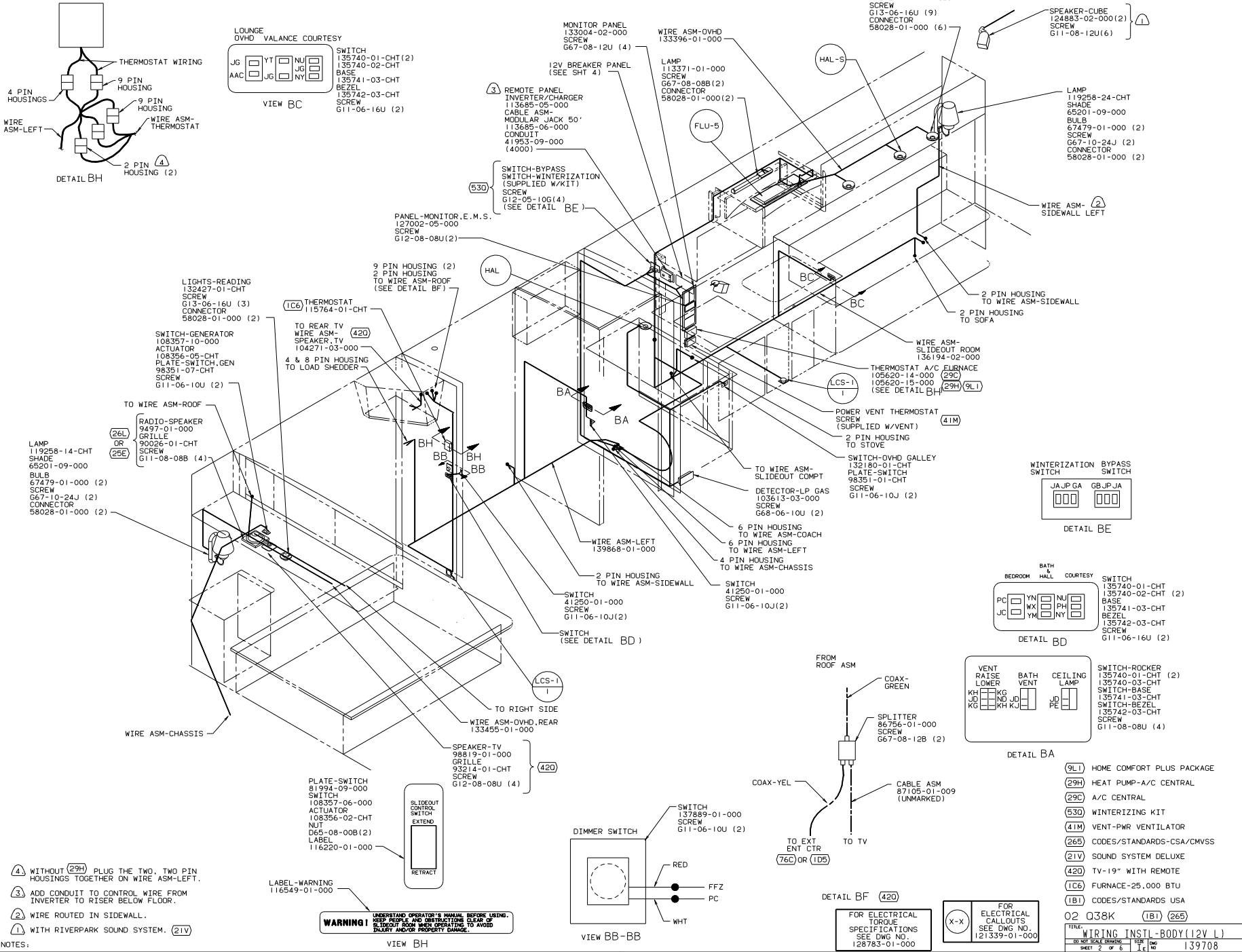
WINNEBAGO

UNSPECIFIED TOLERANCES ARE:
 HOLE DIA. (IN) .005
 ONE-PLACE (IN, .01)
 TWO-PLACE (IN, .005)
 HOLE .015
 MATERIAL:

DO NOT SCALE DRAWING

TITLE: WIRING DIAGRAM-BODY, 110V
 SHEET 1 of 1 PART NO. 139710

DATE: 04/19/01
 FIRST USED: 02 Q38K



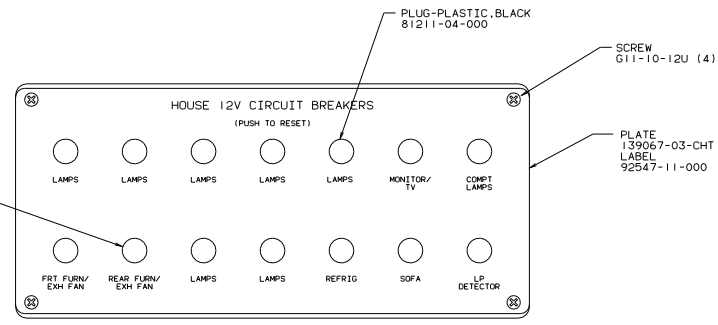
- NOTES:
- ④ WITHOUT (29H) PLUG THE TWO 2 PIN HOUSINGS TOGETHER ON WIRE ASM-LEFT.
 - ③ ADD CONDUIT TO CONTROL WIRE FROM INVERTER TO RISER BELOW FLOOR.
 - ② WIRE ROUTED IN SIDEWALL.
 - ① WITH RIVERPARK SOUND SYSTEM. (21V)

WARNING! UNDERSTAND OPERATOR'S MANUAL BEFORE USING. KEEP PEOPLE AND OBSTRUCTIONS CLEAR OF SLIDING AND/OR EXTENDING PARTS TO AVOID INJURY AND/OR PROPERTY DAMAGE.

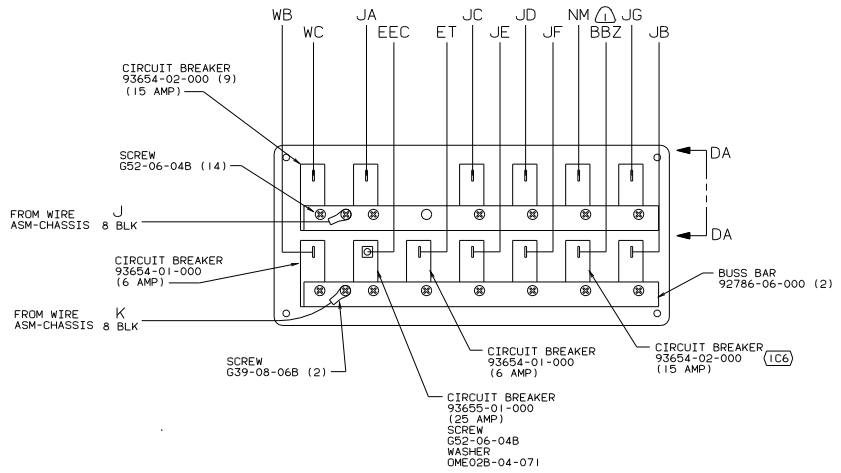
FOR ELECTRICAL TORQUE SPECIFICATIONS SEE DWG NO. 128783-01-000

FOR ELECTRICAL CALLOUTS SEE DWG NO. 121339-01-000

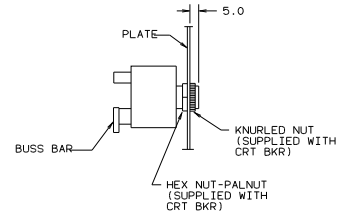
WIRING INSTL-BODY (12V L)



CIRCUIT BREAKER (FRONT VIEW)



CIRCUIT BREAKER (BACK VIEW)



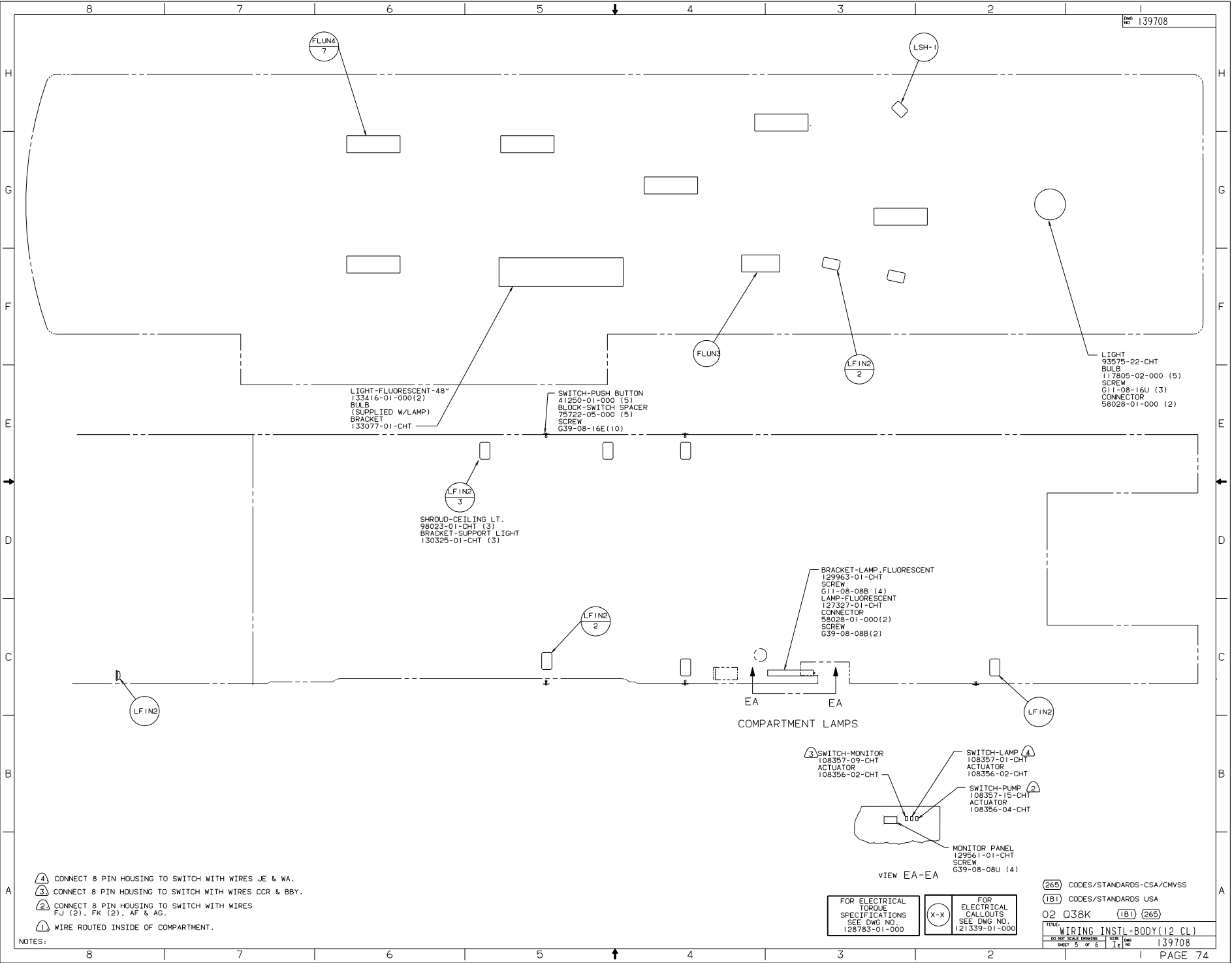
SECTION DA-DA

(1) TIE BACK TO MAIN ASM WITH (496)

- (496) FURNACE WITHOUT
 - (265) CODES/STANDARDS-CSA/CMVSS
 - (1C6) FURNACE-25,000 BTU
 - (1B1) CODES/STANDARDS USA
- 02 Q38K (1B1) (265)

FOR ELECTRICAL TORQUE SPECIFICATIONS SEE DWG NO 128783-01-000

TITLE		WIRING INSTL-BODY (12 BP)	
DR	DATE	APP	NO
1			139708
SHEET 4 OF 6		I	



LIGHT-FLUORESCENT-48"
133416-01-000(2)
BULB
(SUPPLIED W/LAMP)
BRACKET
133077-01-CHT

SWITCH-PUSH BUTTON
41250-01-000 (5)
BLOCK-SWITCH SPACER
75722-05-000 (5)
SCREW
G39-08-16E(10)

LIGHT
93575-22-CHT
BULB
117805-02-000 (5)
SCREW
G11-08-16U (3)
CONNECTOR
58028-01-000 (2)

SHROUD-CEILING LT.
98023-01-CHT (3)
BRACKET-SUPPORT LIGHT
130325-01-CHT (3)

BRACKET-LAMP, FLUORESCENT
129963-01-CHT
SCREW
G11-08-08B (4)
LAMP-FLUORESCENT
127327-01-CHT
CONNECTOR
58028-01-000(2)
SCREW
G39-08-08B(2)

COMPARTMENT LAMPS

SWITCH-MONITOR
108357-09-CHT
ACTUATOR
108356-02-CHT

SWITCH-LAMP
108357-01-CHT
ACTUATOR
108356-02-CHT

SWITCH-PUMP
108357-15-CHT
ACTUATOR
108356-04-CHT

MONITOR PANEL
129561-01-CHT
SCREW
G39-08-08U (4)

VIEW EA-EA

- ④ CONNECT 8 PIN HOUSING TO SWITCH WITH WIRES JE & WA.
- ③ CONNECT 8 PIN HOUSING TO SWITCH WITH WIRES CCR & BBY.
- ② CONNECT 8 PIN HOUSING TO SWITCH WITH WIRES FJ (2), FK (2), AF & AG.
- ① WIRE ROUTED INSIDE OF COMPARTMENT.

NOTES:

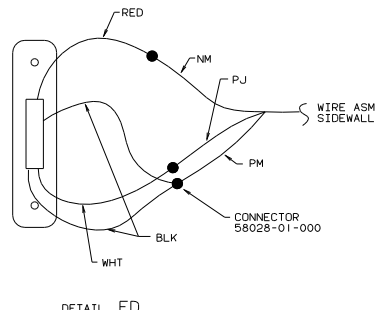
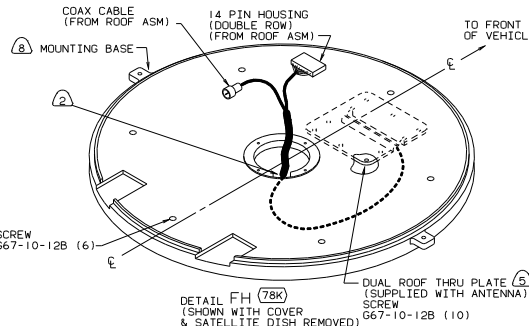
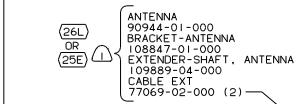
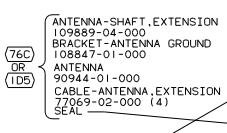
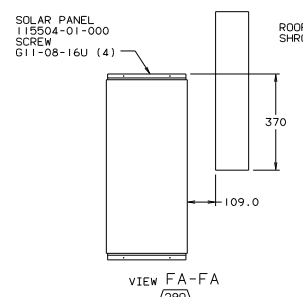
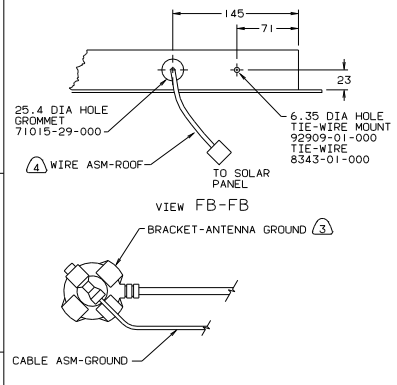
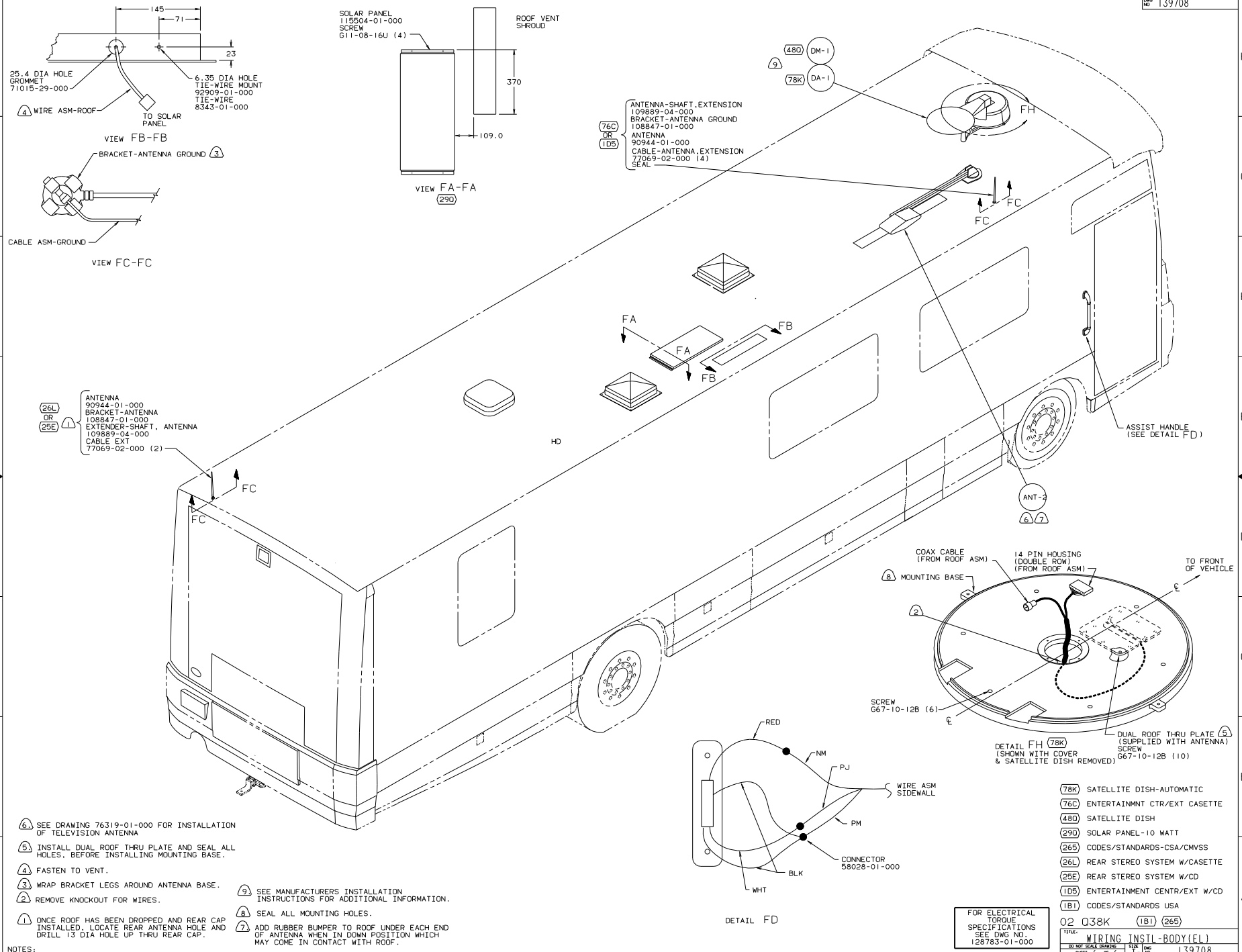
FOR ELECTRICAL
TORQUE
SPECIFICATIONS
SEE DWG NO.
128783-01-000

(X-X)
FOR
ELECTRICAL
CALLOUTS
SEE DWG NO.
121339-01-000

(265) CODES/STANDARDS-CSA/CMVSS
(181) CODES/STANDARDS USA

02 Q38K (181) (265)

WIRING INSTL-BODY(12 CL)
139708
SHEET 5 OF 6



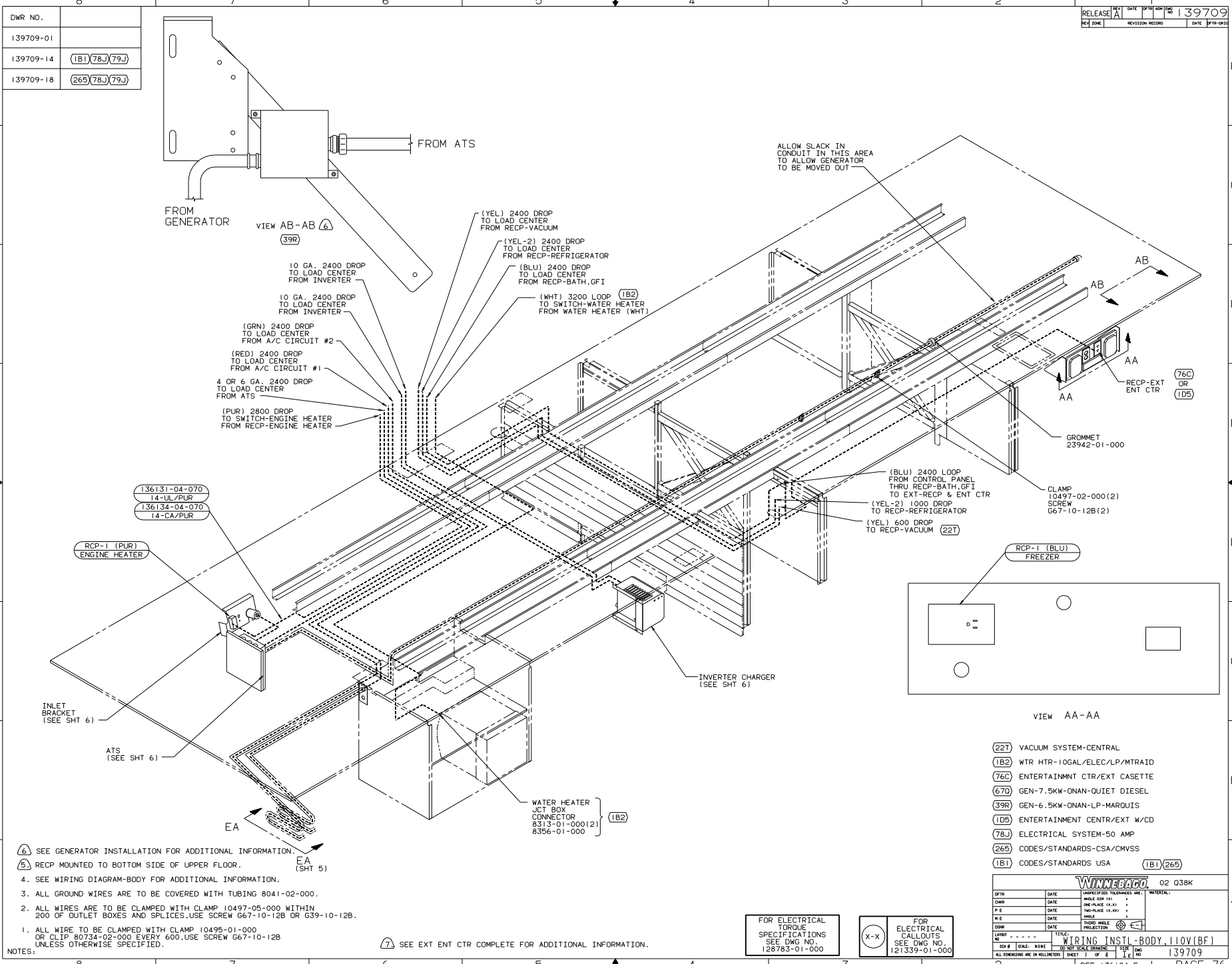
- (6) SEE DRAWING 76319-01-000 FOR INSTALLATION OF TELEVISION ANTENNA
- (5) INSTALL DUAL ROOF THRU PLATE AND SEAL ALL HOLES. BEFORE INSTALLING MOUNTING BASE.
- (4) FASTEN TO VENT.
- (3) WRAP BRACKET LEGS AROUND ANTENNA BASE.
- (2) REMOVE KNOCKOUT FOR WIRES.
- (9) SEE MANUFACTURERS INSTALLATION INSTRUCTIONS FOR ADDITIONAL INFORMATION.
- (8) SEAL ALL MOUNTING HOLES.
- (7) ADD RUBBER BUMPER TO ROOF UNDER EACH END OF ANTENNA WHEN IN DOWN POSITION WHICH MAY COME IN CONTACT WITH ROOF.

FOR ELECTRICAL TORQUE SPECIFICATIONS SEE DWG NO. 128783-01-000

- (78K) SATELLITE DISH-AUTOMATIC
- (76C) ENTERTAINMENT CTR/EXT CASSETTE
- (480) SATELLITE DISH
- (290) SOLAR PANEL-10 WATT
- (265) CODES/STANDARDS-CSA/CMVSS
- (26L) REAR STEREO SYSTEM W/CASSETTE
- (25E) REAR STEREO SYSTEM W/CD
- (105) ENTERTAINMENT CENTR/EXT W/CD
- (181) CODES/STANDARDS USA

TITLE: WIRING INSTL-BODY(EL)
 SHEET 6 OF 6

DWR NO.	
139709-01	
139709-14	(1B1)(78J)(79J)
139709-18	(265)(78J)(79J)



- (6) SEE GENERATOR INSTALLATION FOR ADDITIONAL INFORMATION.
- (5) RECP MOUNTED TO BOTTOM SIDE OF UPPER FLOOR.
- 4. SEE WIRING DIAGRAM-BODY FOR ADDITIONAL INFORMATION.
- 3. ALL GROUND WIRES ARE TO BE COVERED WITH TUBING 8041-02-000.
- 2. ALL WIRES ARE TO BE CLAMPED WITH CLAMP 10495-01-000 OR CLIP 80734-02-000 EVERY 600. USE SCREW G67-10-12B UNLESS OTHERWISE SPECIFIED.
- 1. ALL WIRE TO BE CLAMPED WITH CLAMP 10495-01-000 OR CLIP 80734-02-000 EVERY 600. USE SCREW G67-10-12B UNLESS OTHERWISE SPECIFIED.

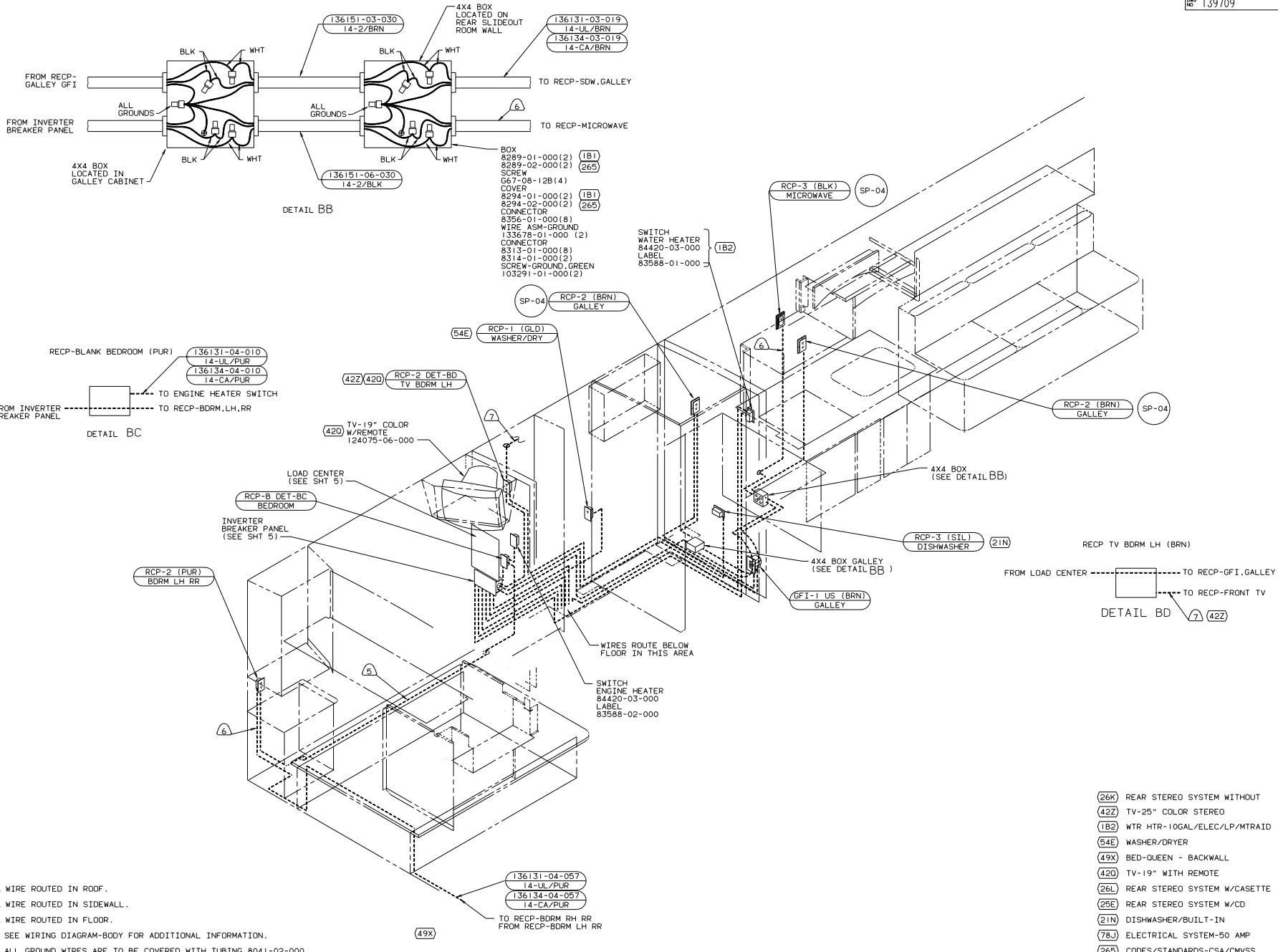
(7) SEE EXT ENT CTR COMPLETE FOR ADDITIONAL INFORMATION.

- (22T) VACUUM SYSTEM-CENTRAL
- (1B2) WTR HTR-10GAL/ELEC/LP/MTR/ID
- (76C) ENTERTAINMNT CTR/EXT CASSETTE
- (67D) GEN-7.5KW-ONAN-QUIET DIESEL
- (39R) GEN-6.5KW-ONAN-LP-MARQUIS
- (1D5) ENTERTAINMENT CTR/EXT W/CD
- (78J) ELECTRICAL SYSTEM-50 AMP
- (265) CODES/STANDARDS-CSA/CMVSS
- (1B1) CODES/STANDARDS USA (1B1)(265)

DATE		UNSPECIFIED TOLERANCES ARE:	DATE	02 038K
DWG NO	DATE	UNLESS SHOWN	DATE	
DATE	DATE	1/16"	DATE	
DATE	DATE	1/32"	DATE	
DATE	DATE	1/64"	DATE	
DATE	DATE	3/16"	DATE	
DATE	DATE	1/2"	DATE	
DATE	DATE	3/4"	DATE	
DATE	DATE	1"	DATE	
DATE	DATE	2"	DATE	
DATE	DATE	3"	DATE	
DATE	DATE	4"	DATE	
DATE	DATE	5"	DATE	
DATE	DATE	6"	DATE	
DATE	DATE	7"	DATE	
DATE	DATE	8"	DATE	
DATE	DATE	9"	DATE	
DATE	DATE	10"	DATE	
DATE	DATE	11"	DATE	
DATE	DATE	12"	DATE	
DATE	DATE	13"	DATE	
DATE	DATE	14"	DATE	
DATE	DATE	15"	DATE	
DATE	DATE	16"	DATE	
DATE	DATE	17"	DATE	
DATE	DATE	18"	DATE	
DATE	DATE	19"	DATE	
DATE	DATE	20"	DATE	
DATE	DATE	21"	DATE	
DATE	DATE	22"	DATE	
DATE	DATE	23"	DATE	
DATE	DATE	24"	DATE	
DATE	DATE	25"	DATE	
DATE	DATE	26"	DATE	
DATE	DATE	27"	DATE	
DATE	DATE	28"	DATE	
DATE	DATE	29"	DATE	
DATE	DATE	30"	DATE	
DATE	DATE	31"	DATE	
DATE	DATE	32"	DATE	
DATE	DATE	33"	DATE	
DATE	DATE	34"	DATE	
DATE	DATE	35"	DATE	
DATE	DATE	36"	DATE	
DATE	DATE	37"	DATE	
DATE	DATE	38"	DATE	
DATE	DATE	39"	DATE	
DATE	DATE	40"	DATE	
DATE	DATE	41"	DATE	
DATE	DATE	42"	DATE	
DATE	DATE	43"	DATE	
DATE	DATE	44"	DATE	
DATE	DATE	45"	DATE	
DATE	DATE	46"	DATE	
DATE	DATE	47"	DATE	
DATE	DATE	48"	DATE	
DATE	DATE	49"	DATE	
DATE	DATE	50"	DATE	
DATE	DATE	51"	DATE	
DATE	DATE	52"	DATE	
DATE	DATE	53"	DATE	
DATE	DATE	54"	DATE	
DATE	DATE	55"	DATE	
DATE	DATE	56"	DATE	
DATE	DATE	57"	DATE	
DATE	DATE	58"	DATE	
DATE	DATE	59"	DATE	
DATE	DATE	60"	DATE	
DATE	DATE	61"	DATE	
DATE	DATE	62"	DATE	
DATE	DATE	63"	DATE	
DATE	DATE	64"	DATE	
DATE	DATE	65"	DATE	
DATE	DATE	66"	DATE	
DATE	DATE	67"	DATE	
DATE	DATE	68"	DATE	
DATE	DATE	69"	DATE	
DATE	DATE	70"	DATE	
DATE	DATE	71"	DATE	
DATE	DATE	72"	DATE	
DATE	DATE	73"	DATE	
DATE	DATE	74"	DATE	
DATE	DATE	75"	DATE	
DATE	DATE	76"	DATE	
DATE	DATE	77"	DATE	
DATE	DATE	78"	DATE	
DATE	DATE	79"	DATE	
DATE	DATE	80"	DATE	
DATE	DATE	81"	DATE	
DATE	DATE	82"	DATE	
DATE	DATE	83"	DATE	
DATE	DATE	84"	DATE	
DATE	DATE	85"	DATE	
DATE	DATE	86"	DATE	
DATE	DATE	87"	DATE	
DATE	DATE	88"	DATE	
DATE	DATE	89"	DATE	
DATE	DATE	90"	DATE	
DATE	DATE	91"	DATE	
DATE	DATE	92"	DATE	
DATE	DATE	93"	DATE	
DATE	DATE	94"	DATE	
DATE	DATE	95"	DATE	
DATE	DATE	96"	DATE	
DATE	DATE	97"	DATE	
DATE	DATE	98"	DATE	
DATE	DATE	99"	DATE	
DATE	DATE	100"	DATE	

FOR ELECTRICAL TORQUE SPECIFICATIONS SEE DWG NO. 128783-01-000

(X-X) FOR ELECTRICAL CALLOUTS SEE DWG NO. 121339-01-000



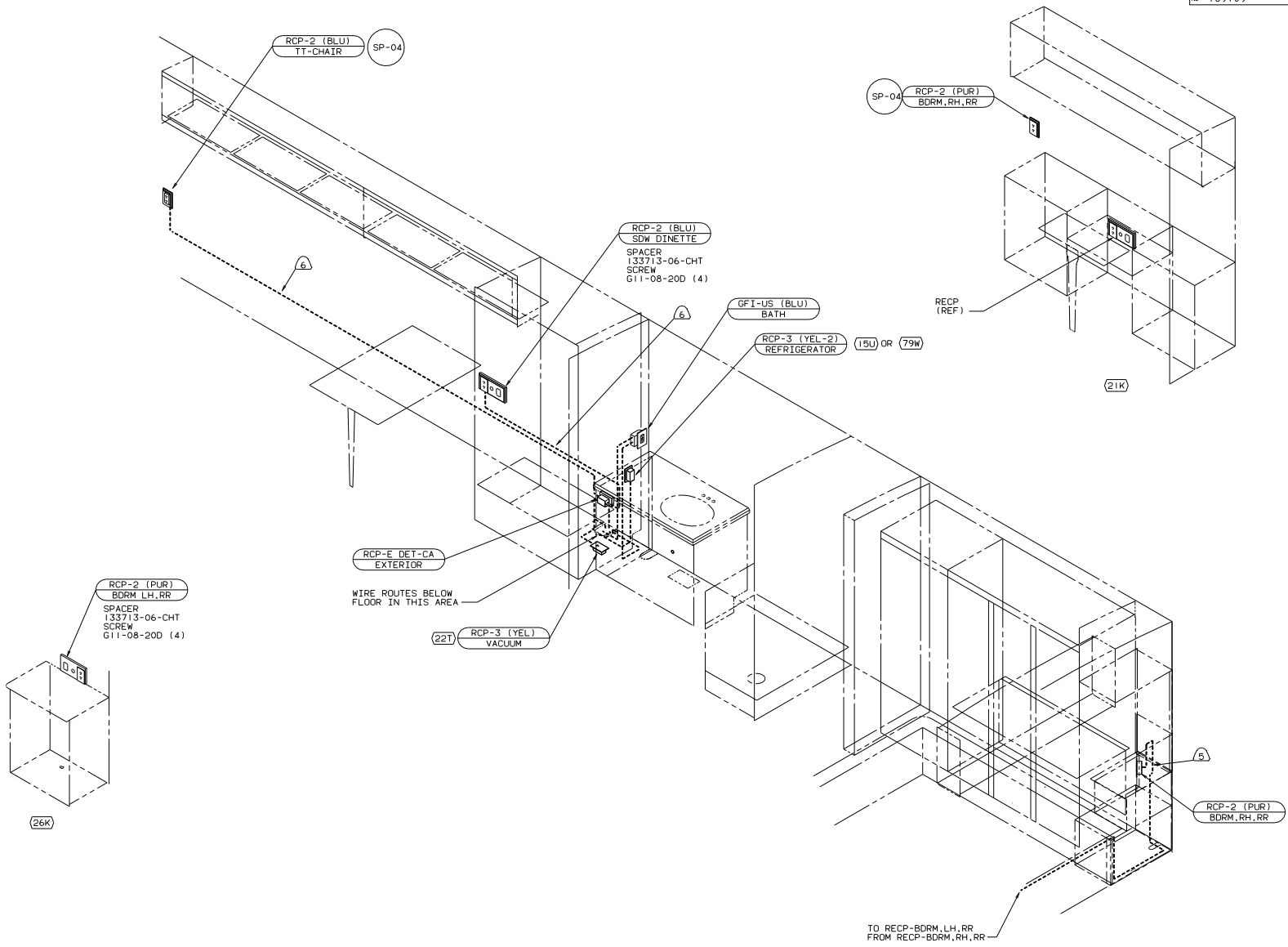
- ⑦ WIRE ROUTED IN ROOF.
- ⑥ WIRE ROUTED IN SIDEWALL.
- ⑤ WIRE ROUTED IN FLOOR.
- 4. SEE WIRING DIAGRAM-BODY FOR ADDITIONAL INFORMATION.
- 3. ALL GROUND WIRES ARE TO BE COVERED WITH TUBING 8041-02-000.
- 2. ALL WIRES ARE TO BE CLAMPED WITH CLAMP 10497-05-000 WITHIN 200 OF OUTLET BOXES AND SPLICES. USE SCREW G67-10-12B OR G39-10-12B.
- 1. ALL WIRE TO BE CLAMPED WITH CLAMP 10495-01-000 OR CLIP 80734-02-000 EVERY 600. USE SCREW G67-10-12B UNLESS OTHERWISE SPECIFIED.

- (26K) REAR STEREO SYSTEM WITHOUT
- (422) TV-25" COLOR STEREO
- (1B2) WTR HTR-10GAL/ELEC/LP/MTR/RAID
- (54E) WASHER/DRYER
- (49X) BED-QUEEN - BACKWALL
- (420) TV-19" WITH REMOTE
- (26L) REAR STEREO SYSTEM W/CASSETTE
- (25E) REAR STEREO SYSTEM W/CD
- (21N) DISHWASHER/BUILT-IN
- (78J) ELECTRICAL SYSTEM-50 AMP
- (265) CODES/STANDARDS-CSA/CMVSS
- (1B1) CODES/STANDARDS USA

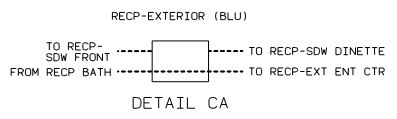
FOR ELECTRICAL SPECIFICATIONS SEE DWG NO. 128783-01-000

(X-X)

FOR ELECTRICAL CALLOUTS SEE DWG NO. 121339-01-000



- ⑦ SEE SHT 1 FOR ADDITIONAL INFORMATION.
- ⑥ WIRE ROUTED IN SIDEWALL.
- ⑤ WIRE ROUTED THRU SIDEWALL.
- 4. SEE WIRING DIAGRAM-BODY FOR ADDITIONAL INFORMATION.
- 3. ALL GROUND WIRES ARE TO BE COVERED WITH TUBING 8041-02-000.
- 2. ALL WIRES ARE TO BE CLAMPED WITH CLAMP 10497-05-000 WITHIN 200 OF OUTLET BOXES AND SPLICES. USE SCREW G67-10-12B OR G39-10-12B.
- 1. ALL WIRE TO BE CLAMPED WITH CLAMP 10495-01-000 OR CLIP 80734-02-000 EVERY 600. USE SCREW G67-10-12B UNLESS OTHERWISE SPECIFIED.

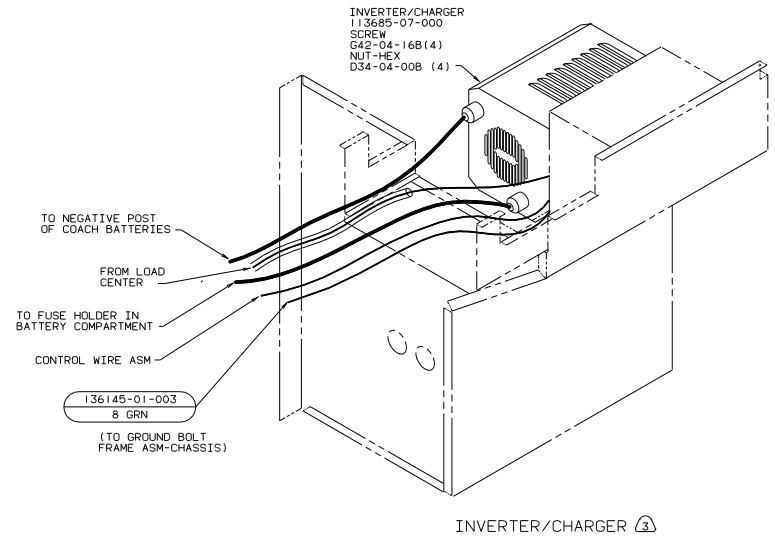
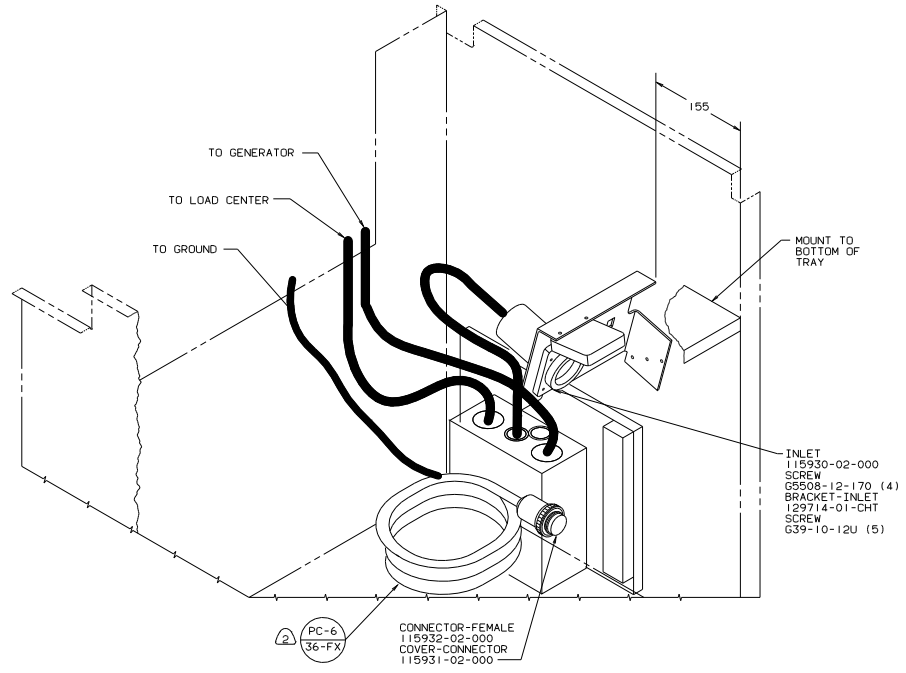


- ②⑥K REAR STERO SYSTEM WITHOUT
- ②1K DINING/COMPUTER TABLE/CHAIRS
- ⑦9W REFRIGERATOR-4 DOOR
- ①5U REFRIGERATOR/FRZR W/ICEMAKER
- ②2T VACUUM SYSTEM-CENTRAL
- ⑦8J ELECTRICAL SYSTEM-50 AMP
- ②65 CODES/STANDARDS-CSA/CMVSS
- ①81 CODES/STANDARDS USA

FOR ELECTRICAL TORQUE SPECIFICATIONS SEE DWG NO. 128783-01-000

FOR ELECTRICAL CALLOUTS SEE DWG NO. 121339-01-000

02 038K ①81②65⑦8J
 WIRING INSTL-BODY.110V(R50)
 SHEET 3 OF 4



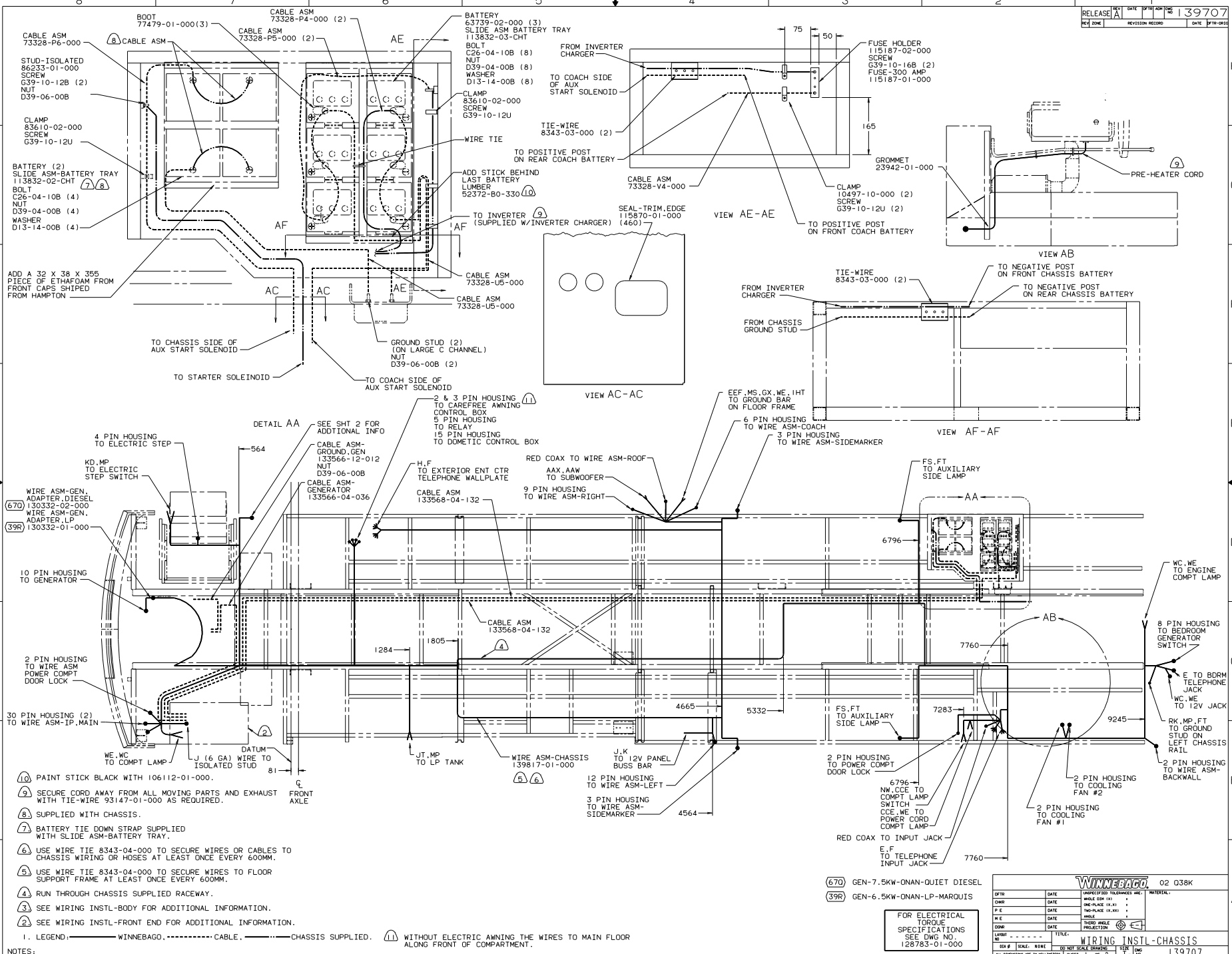
INVERTER/CHARGER (3)

- (3) CONNECT ROMEX FROM MAIN LOAD CENTER TO AC INPUT AND ROMEX TO SMALL SUB PANEL TO AC OUTPUT. USE WIRE NUTS AND STRAIN RELIEF CONNECTORS SUPPLIED WITH INVERTER/CHARGER. CONNECT REMOTE PANEL CONTROL CABLE TO CONNECTION ON BASE OF INVERTER/CHARGER.
- (2) ALL 110V STRANDED WIRE W/O TERMINALS TO BE STRIPPED 10MM AND SOLDER DIPPED.
1. ALL WIRES TO BE CLAMPED WITH IN 200 OF BOX.

- (79J) INVERTER/CHARGER-1,500 WATT
- (78J) ELECTRICAL SYSTEM-50 AMP
- (26B) CODES/STANDARDS-CSA/CMVSS
- (1B1) CODES/STANDARDS USA
- 02 Q38K (1B1)(26B)(78J)(79J)

FOR ELECTRICAL TORQUE SPECIFICATIONS SEE DWG NO. 129783-01-000

FOR ELECTRICAL CALLOUTS SEE DWG NO. 121339-01-000



- ⑩ PAINT STICK BLACK WITH 106112-01-000.
- ⑨ SECURE CORD AWAY FROM ALL MOVING PARTS AND EXHAUST WITH TIE-WIRE 93147-01-000 AS REQUIRED.
- ⑧ SUPPLIED WITH CHASSIS.
- ⑦ BATTERY TIE DOWN STRAP SUPPLIED WITH SLIDE ASM-BATTERY TRAY.
- ⑥ USE WIRE TIE 8343-04-000 TO SECURE WIRES OR CABLES TO CHASSIS WIRING OR HOSES AT LEAST ONCE EVERY 600MM.
- ⑤ USE WIRE TIE 8343-04-000 TO SECURE WIRES TO FLOOR SUPPORT FRAME AT LEAST ONCE EVERY 600MM.
- ④ RUN THROUGH CHASSIS SUPPLIED RACEWAY.
- ③ SEE WIRING INSTL-BODY FOR ADDITIONAL INFORMATION.
- ② SEE WIRING INSTL-FRONT END FOR ADDITIONAL INFORMATION.

1. LEGEND: — WINNEBAGO, - - - - - CABLE, ——— CHASSIS SUPPLIED. (1) WITHOUT ELECTRIC AWNING THE WIRES TO MAIN FLOOR ALONG FRONT OF COMPARTMENT.

- (670) GEN-7.5KW-ONAN-QUIET DIESEL
- (39R) GEN-6.5KW-ONAN-LP-MARQUIS

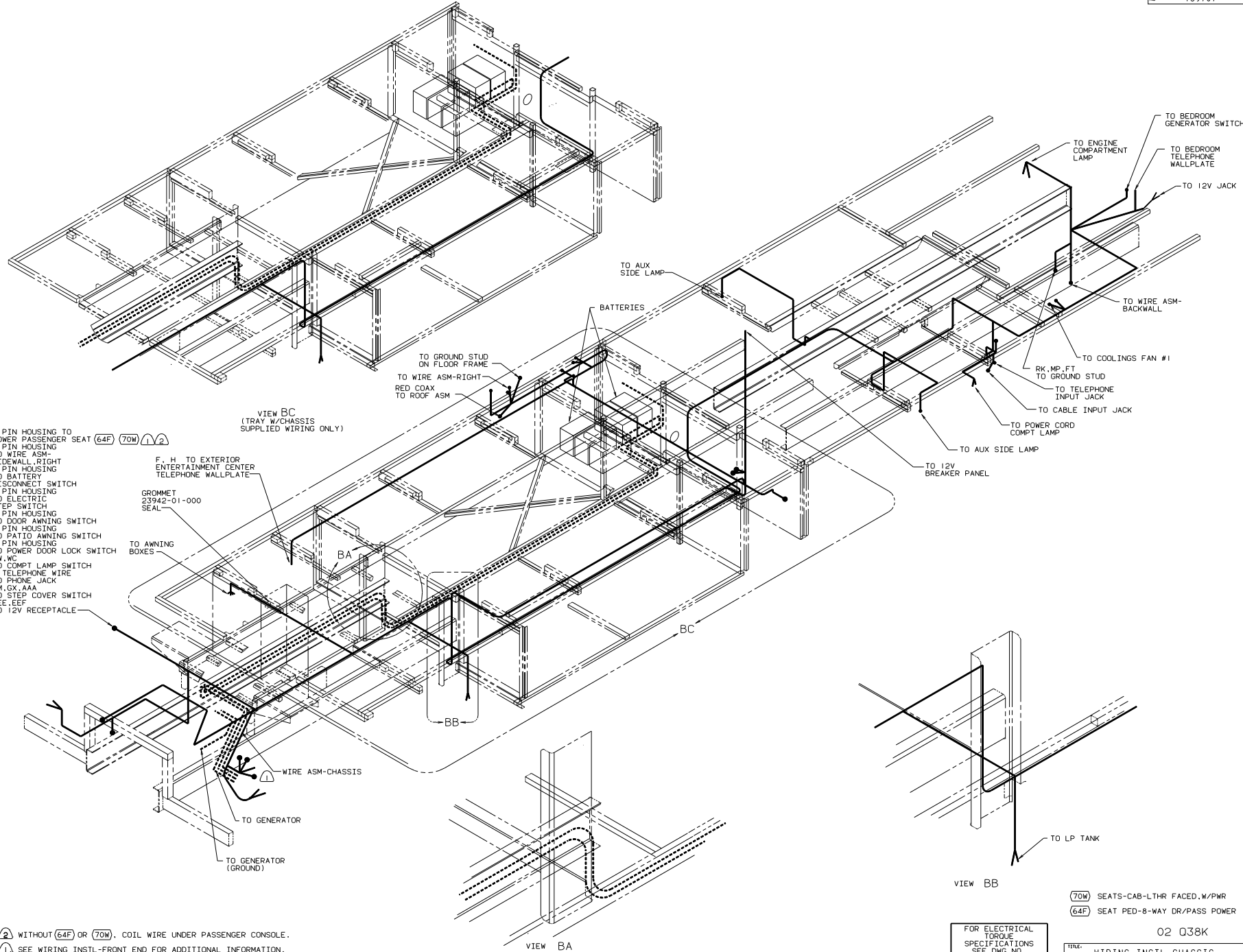
FOR ELECTRICAL TORQUE SPECIFICATIONS SEE DWG NO. 128783-01-000

DATE		UNDESIGNED TOLERANCE ARE.	MATERIAL
DATE	DATE	UNDESIGNED TOLERANCE ARE.	
DATE	DATE	UNDESIGNED TOLERANCE ARE.	
DATE	DATE	UNDESIGNED TOLERANCE ARE.	
DATE	DATE	UNDESIGNED TOLERANCE ARE.	
DATE	DATE	UNDESIGNED TOLERANCE ARE.	
DATE	DATE	UNDESIGNED TOLERANCE ARE.	
DATE	DATE	UNDESIGNED TOLERANCE ARE.	
DATE	DATE	UNDESIGNED TOLERANCE ARE.	
DATE	DATE	UNDESIGNED TOLERANCE ARE.	
DATE	DATE	UNDESIGNED TOLERANCE ARE.	
DATE	DATE	UNDESIGNED TOLERANCE ARE.	

WINNEBAGO 02 038K

WIRING INSTL-CHASSIS

REF: 136186 H | PAGE 80



- 2 PIN HOUSING TO POWER PASSENGER SEAT (64F) (70W) (1) (2)
- 6 PIN HOUSING TO WIRE ASM-SIDEWALL, RIGHT
- 8 PIN HOUSING TO BATTERY DISCONNECT SWITCH
- 8 PIN HOUSING TO ELECTRIC STEP SWITCH
- 8 PIN HOUSING TO DOOR AWNING SWITCH
- 8 PIN HOUSING TO PATIO AWNING SWITCH
- 5 PIN HOUSING TO POWER DOOR LOCK SWITCH
- NW, WC TO COMPT LAMP SWITCH
- H TELEPHONE WIRE TO PHONE JACK
- TM, GX, AAA TO STEP COVER SWITCH
- EEE, EEF TO 12V RECEPTACLE

GROMMET 23942-01-000 SEAL

F, H TO EXTERIOR ENTERTAINMENT CENTER TELEPHONE WALLPLATE

VIEW BC (TRAY W/CHASSIS SUPPLIED WIRING ONLY)

WIRE ASM-CHASSIS

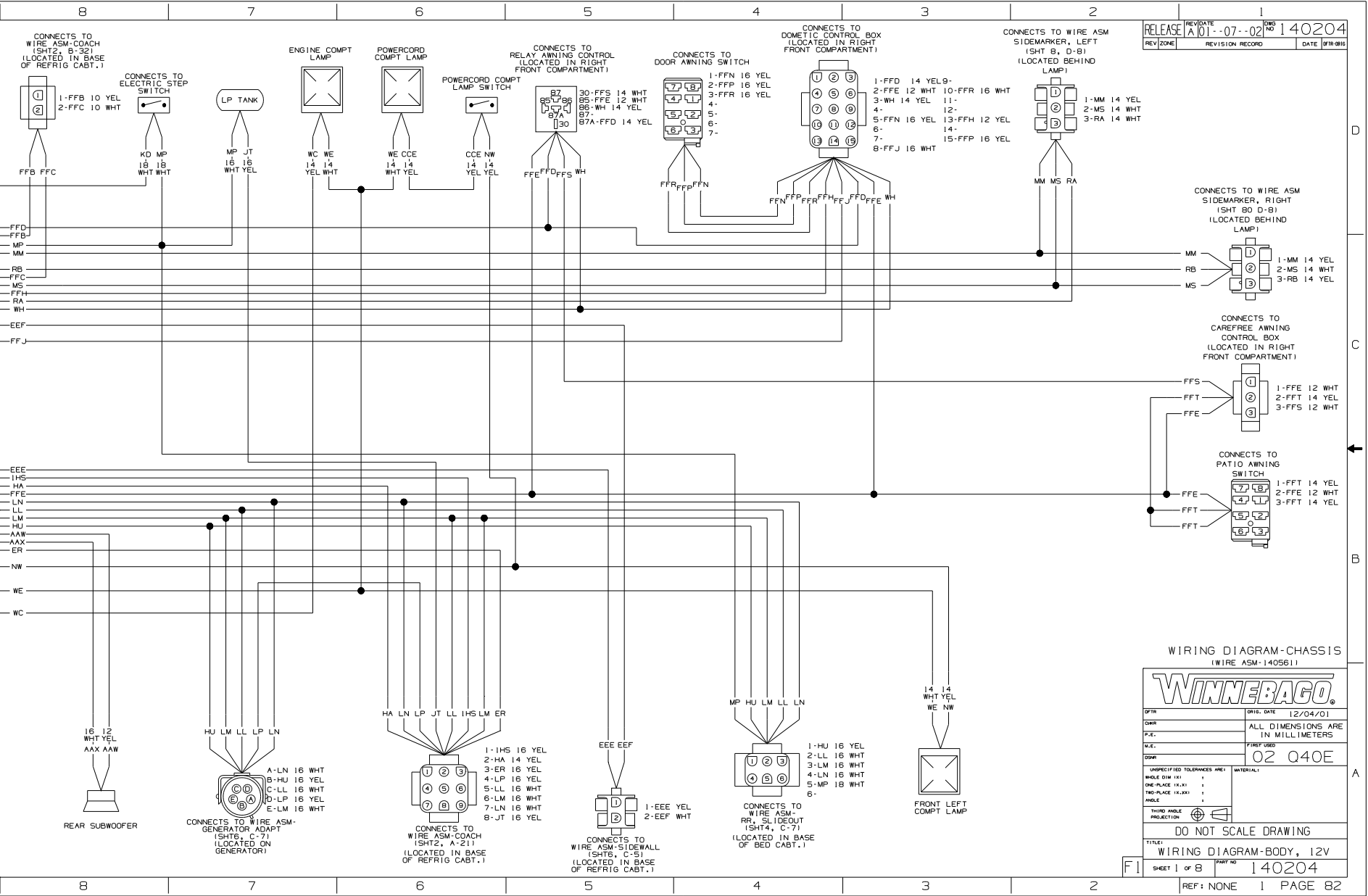
- NOTES:
- (2) WITHOUT (64F) OR (70W), COIL WIRE UNDER PASSENGER CONSOLE.
 - (1) SEE WIRING INSTL-FRONT END FOR ADDITIONAL INFORMATION.

FOR ELECTRICAL TORQUE SPECIFICATIONS SEE DWG NO 128783-01-000

(70W) SEATS-CAB-LTHR FACED, W/PWR
(64F) SEAT PED-8-WAY DR/PASS POWER

02 Q38K

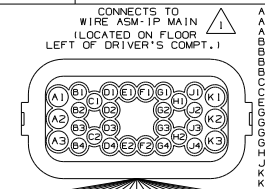
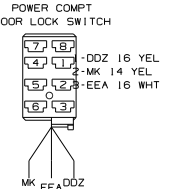
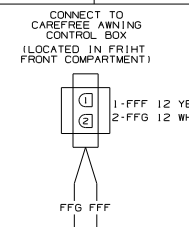
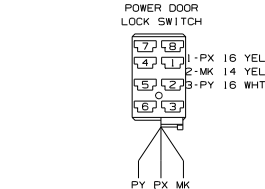
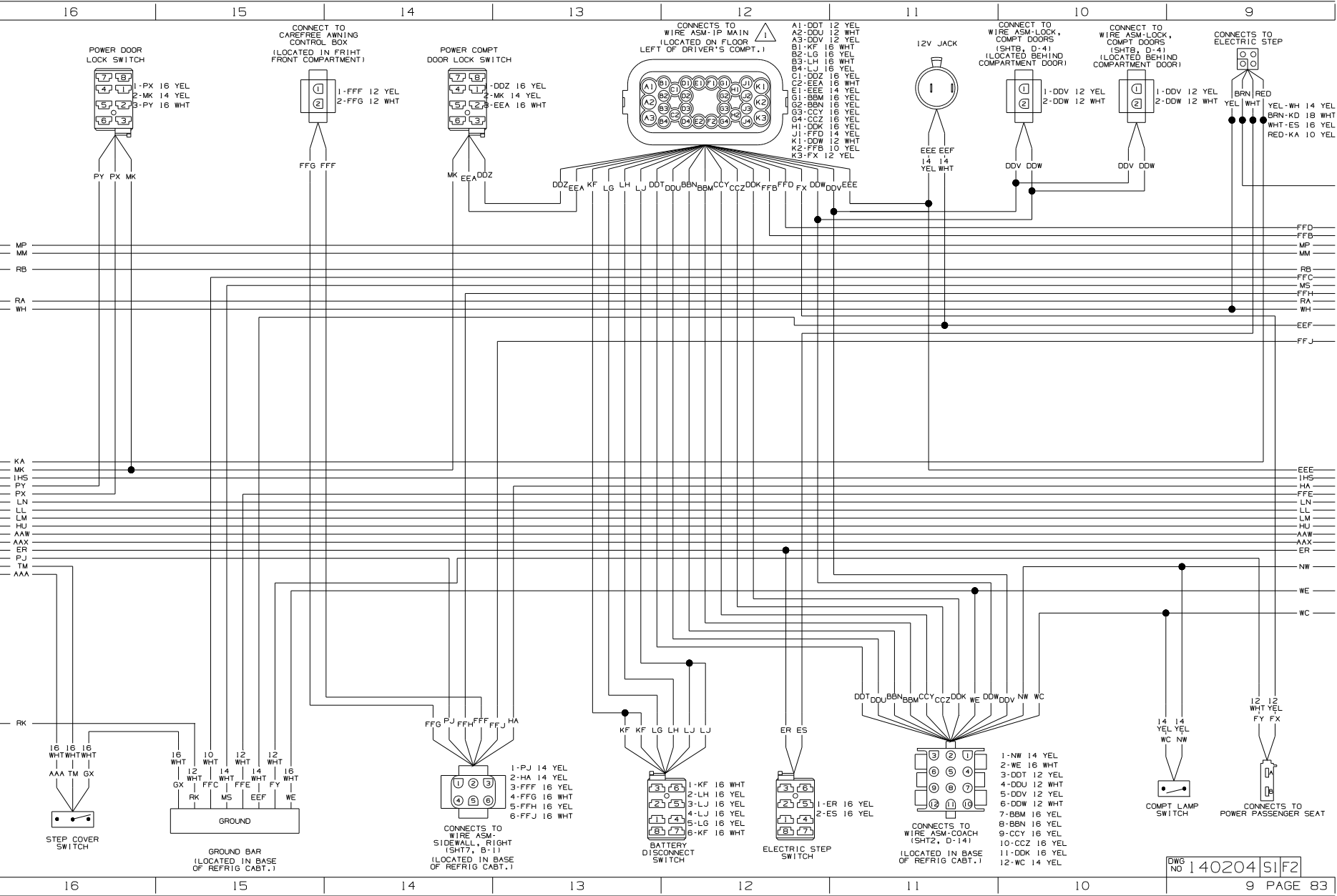
TITLE: WIRING INSTL-CHASSIS
DWG NO 139707
SHEET 2 OF 2



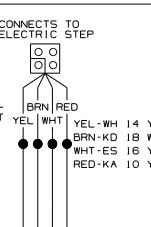
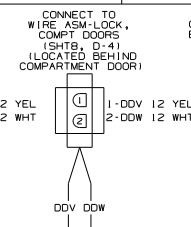
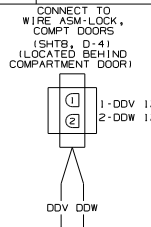
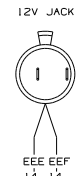
WINNEBAGO
 WIRING DIAGRAM-CHASSIS
 (WIRE ASM-140561)

DATE	DATE	12/04/01
DRW	ALL DIMENSIONS ARE IN MILLIMETERS	
P.E.		
M.E.	FIRST USED	
DRW	02 Q40E	
UNSPECIFIED TOLERANCES ARE:	MATERIAL:	
SHOLE DIM 100	1	
ONE-PLACE 18.00	1	
TWO-PLACE 18.00	1	
ANGLE	1	
THIRD ANGLE PROJECTION		

DO NOT SCALE DRAWING
 TITLE: WIRING DIAGRAM-BODY, 12V
 SHEET 1 OF 8 PART NO 140204



- 12
- A1-DDT 12 YEL
 - A2-DDU 12 WHT
 - A3-DDV 12 YEL
 - B1-KF 16 WHT
 - B2-LH 16 YEL
 - B3-LJ 16 WHT
 - B4-LJ 16 YEL
 - C1-DDZ 16 YEL
 - C2-EEA 16 WHT
 - E1-EEZ 16 YEL
 - G1-BBM 16 YEL
 - G2-BBN 16 YEL
 - G3-CCY 16 YEL
 - G4-CCZ 16 YEL
 - H1-DDK 16 YEL
 - J1-FFD 14 YEL
 - K1-DDW 12 WHT
 - K2-FFB 10 YEL
 - K3-FX 12 YEL

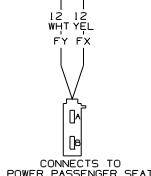
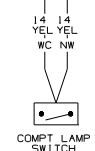
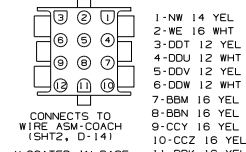
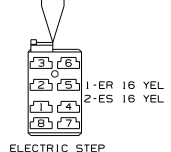
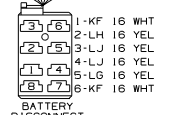
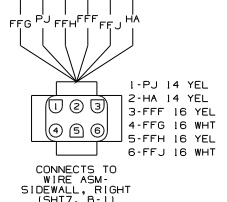
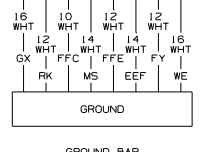
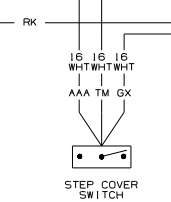


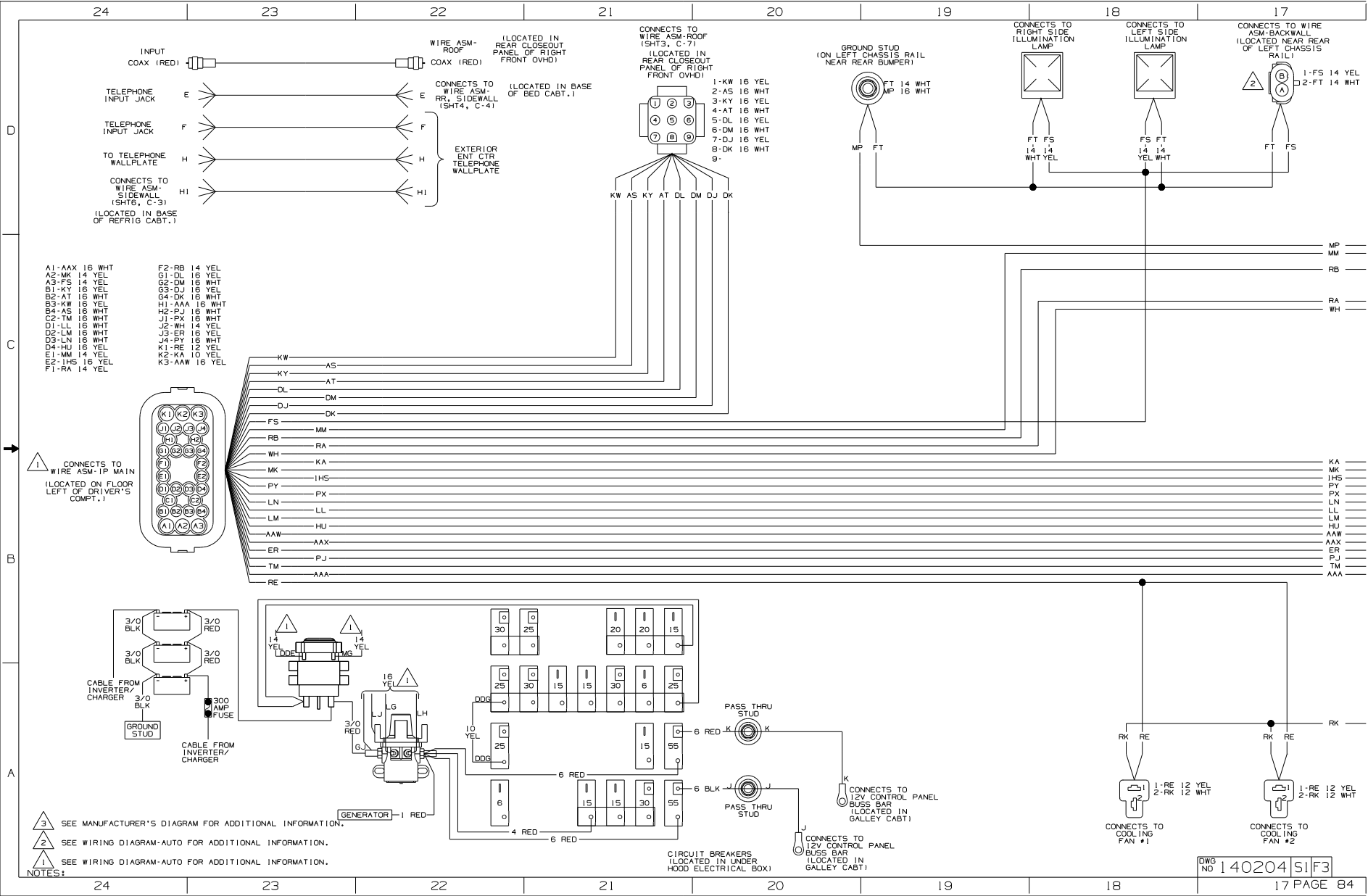
MP
RB
RA
WH

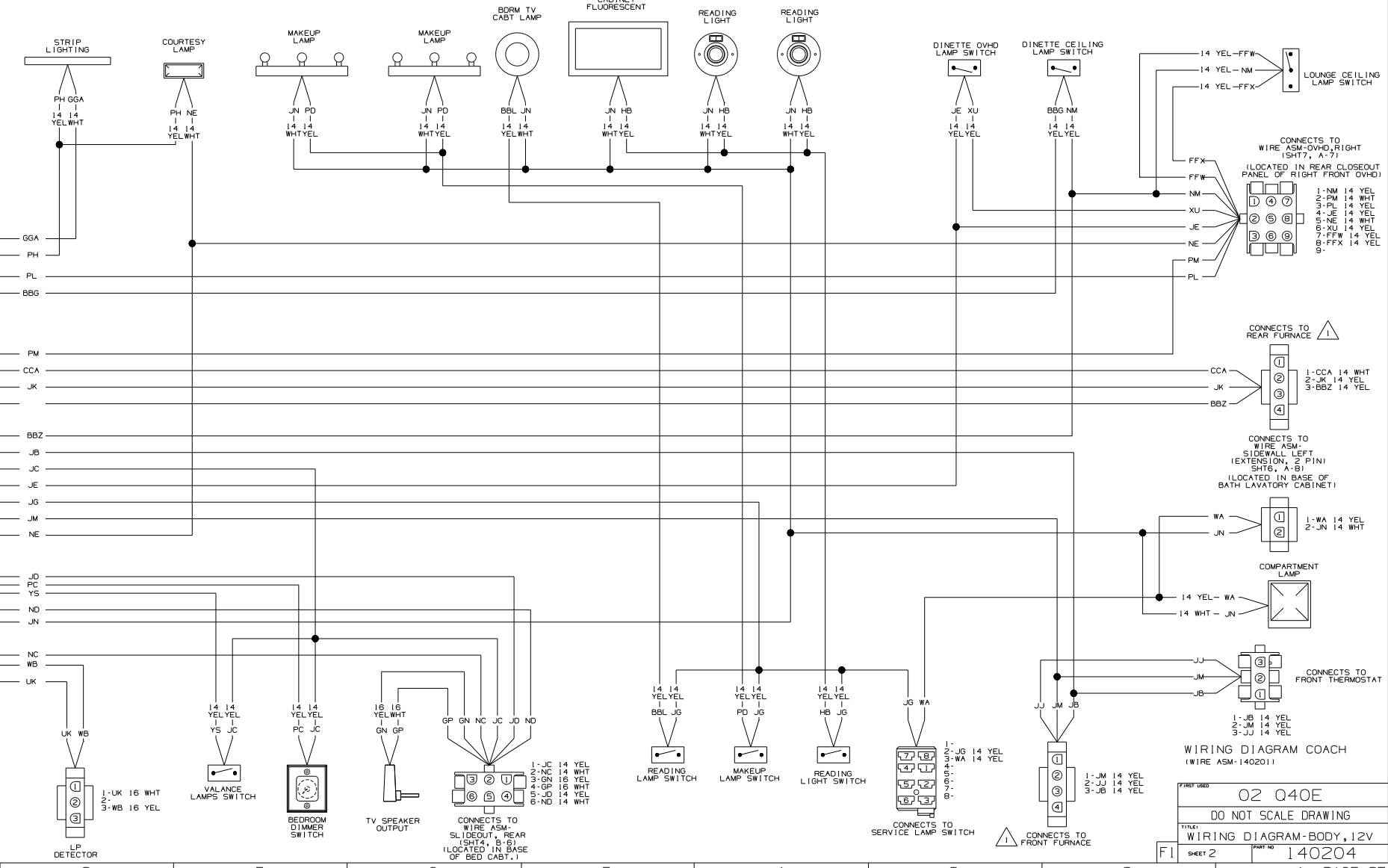
KA
MK
IHS
PY
PX
LN
LL
LM
HU
AAW
AAX
ER
PJ
TM
AAA

FFD
FFB
MP
MM
RB
FFC
MS
FFH
RA
WH
EEF
FFJ

EEE
IHS
HA
FFE
LN
LL
LM
HU
AAW
AAX
ER
NW
WE
WC

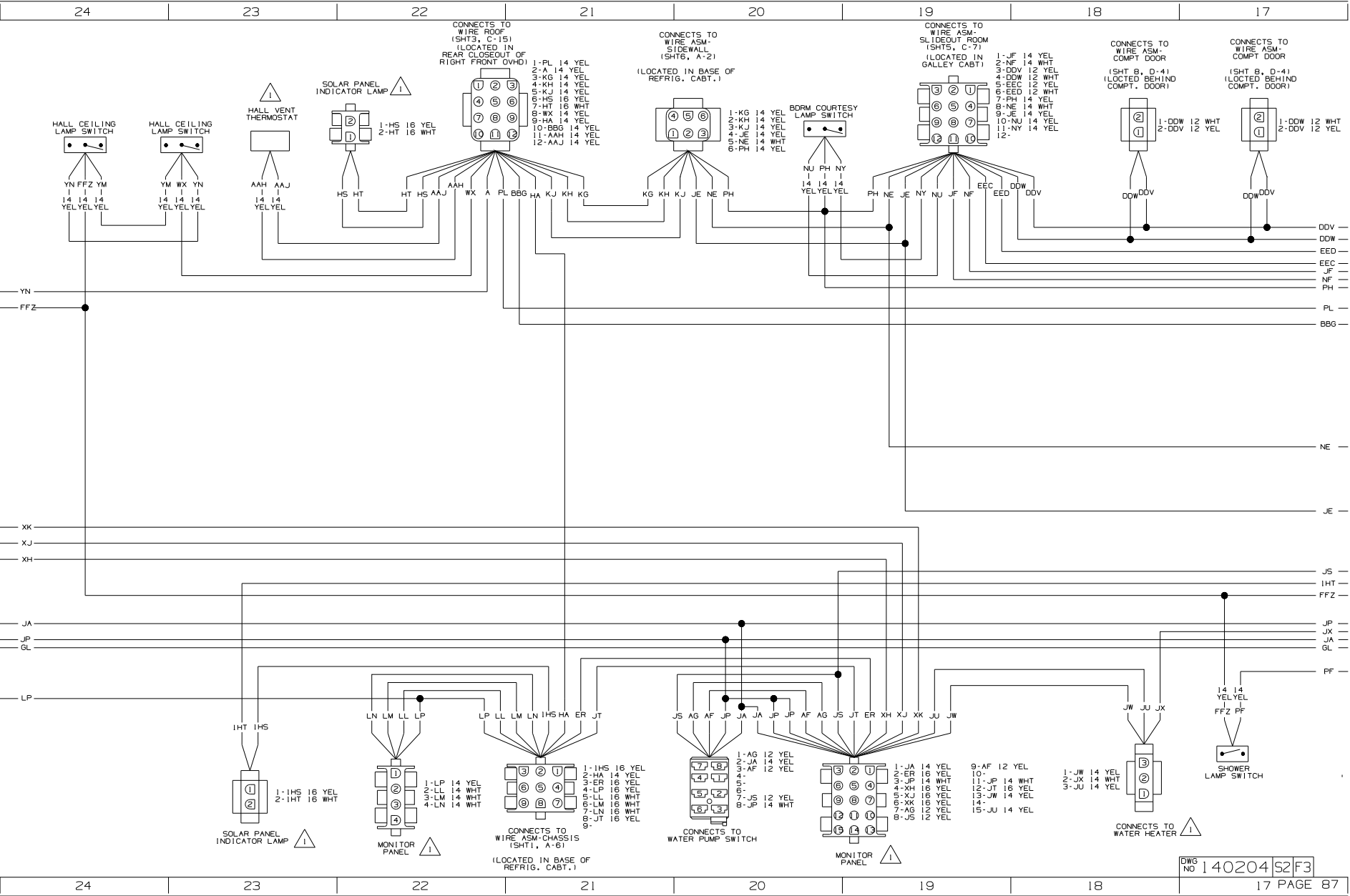


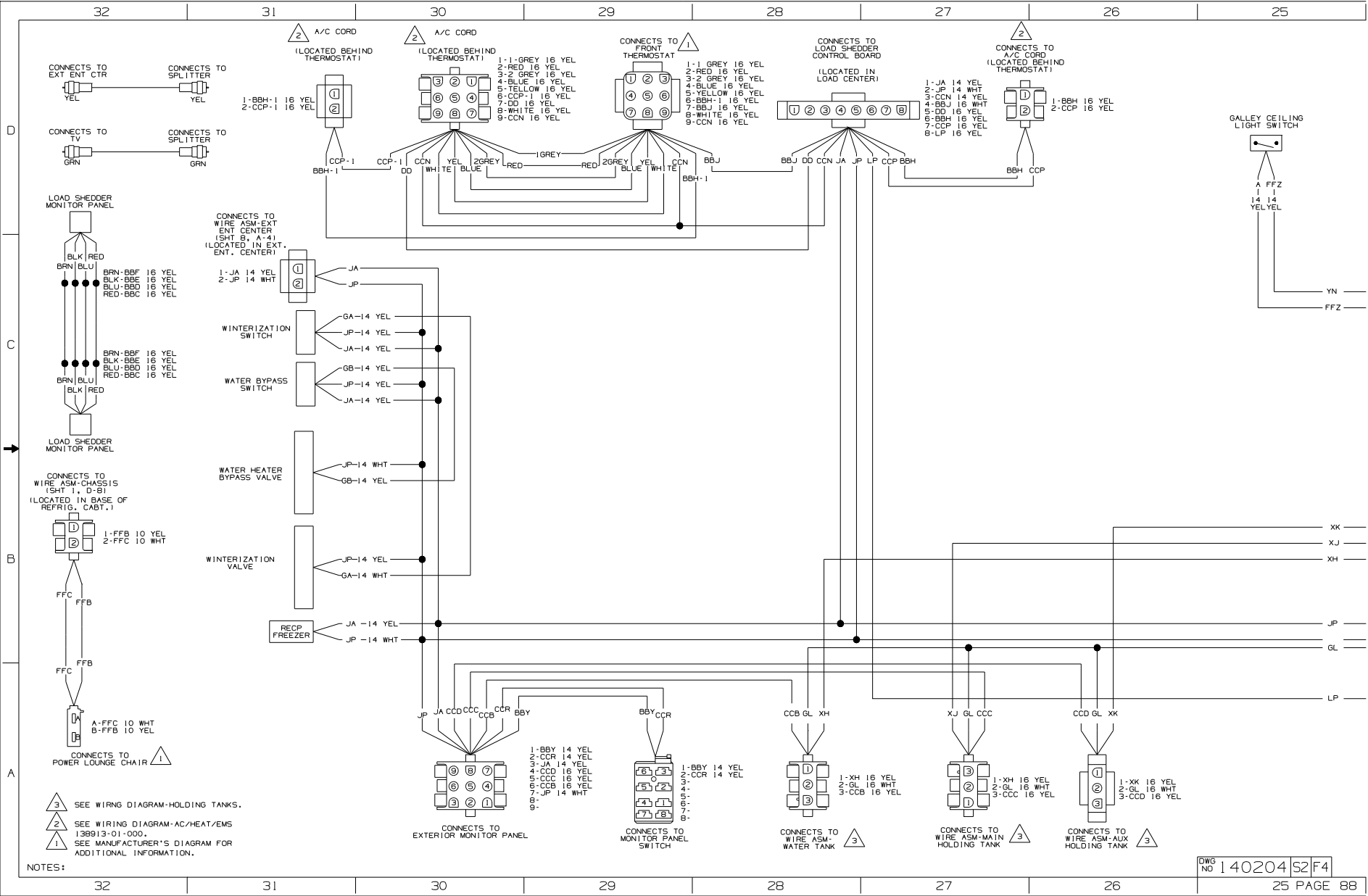




WIRING DIAGRAM COACH (WIRE ASM-140201)

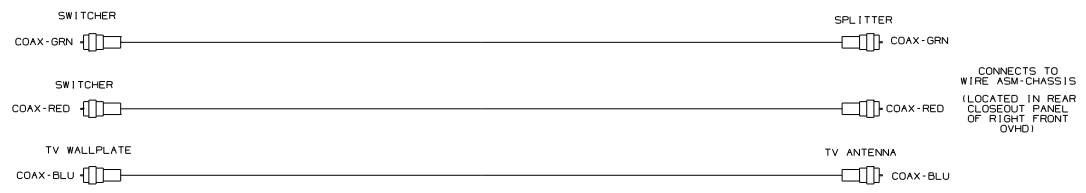
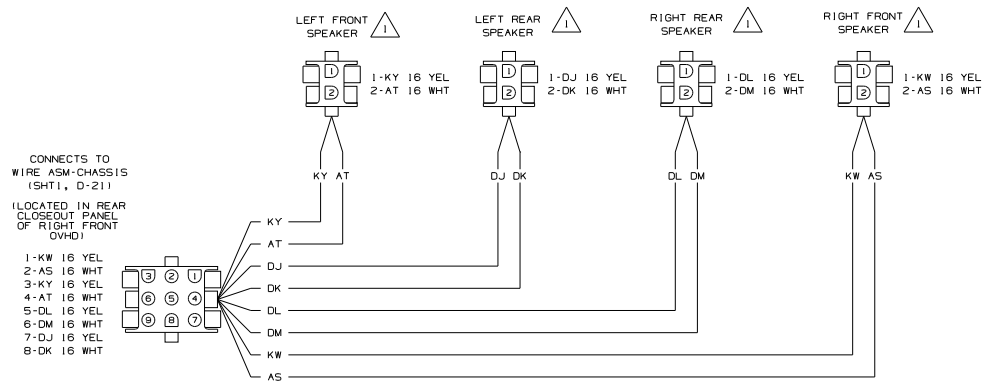
FIRST USED	02 Q40E
TITLE	DO NOT SCALE DRAWING
	WIRING DIAGRAM-BODY, 12V
F1 SHEET 2	PART NO 140204





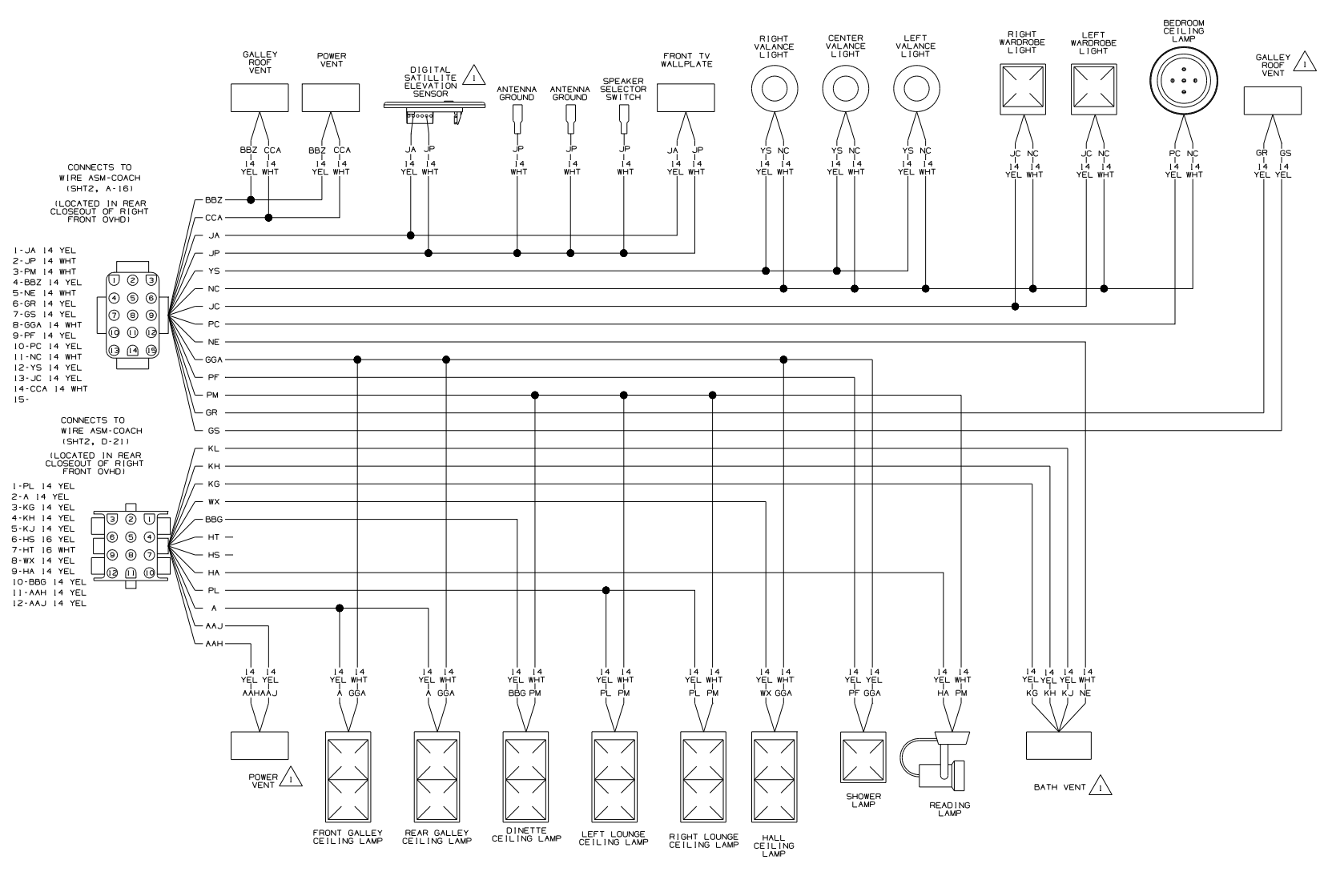
3 SEE WIRING DIAGRAM-HOLDING TANKS.
 2 SEE WIRING DIAGRAM-AC/HEAT/EMS 138913-01-000.
 1 SEE MANUFACTURER'S DIAGRAM FOR ADDITIONAL INFORMATION.

NOTES:



WIRING DIAGRAM-ROOF (WIRE ASM-140757)

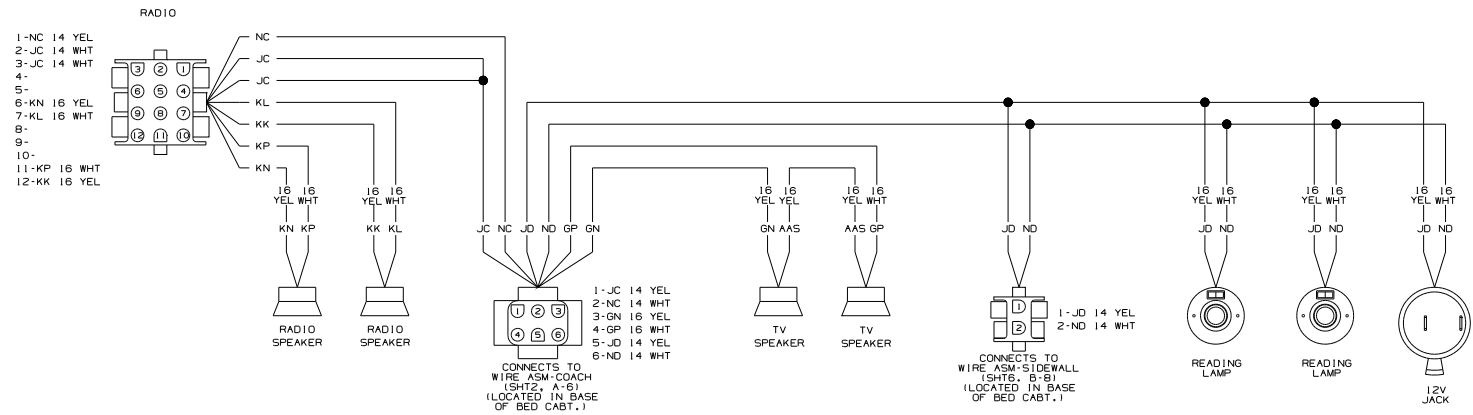
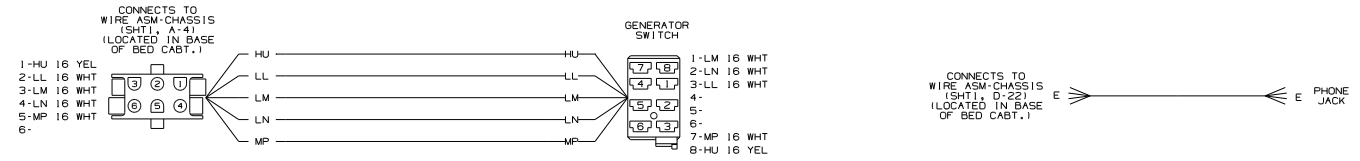
FIRST USED	02 Q40E	
TITLE	DO NOT SCALE DRAWING	
	WIRING DIAGRAM-BODY, 12V	
F1 SHEET 3	PART NO	140204



- 1-JA 14 YEL
- 2-JP 14 WHT
- 3-PM 14 WHT
- 4-BBZ 14 YEL
- 5-NE 14 WHT
- 6-GR 14 YEL
- 7-GS 14 YEL
- 8-GGA 14 WHT
- 9-PF 14 YEL
- 10-PC 14 YEL
- 11-NC 14 WHT
- 12-YS 14 YEL
- 13-JC 14 YEL
- 14-CCA 14 WHT
- 15-

- 1-PL 14 YEL
- 2-A 14 YEL
- 3-KG 14 YEL
- 4-KH 14 YEL
- 5-KJ 14 YEL
- 6-HS 16 YEL
- 7-HT 16 WHT
- 8-WX 14 YEL
- 9-HA 14 YEL
- 10-BBG 14 YEL
- 11-AAH 14 YEL
- 12-AAJ 14 YEL

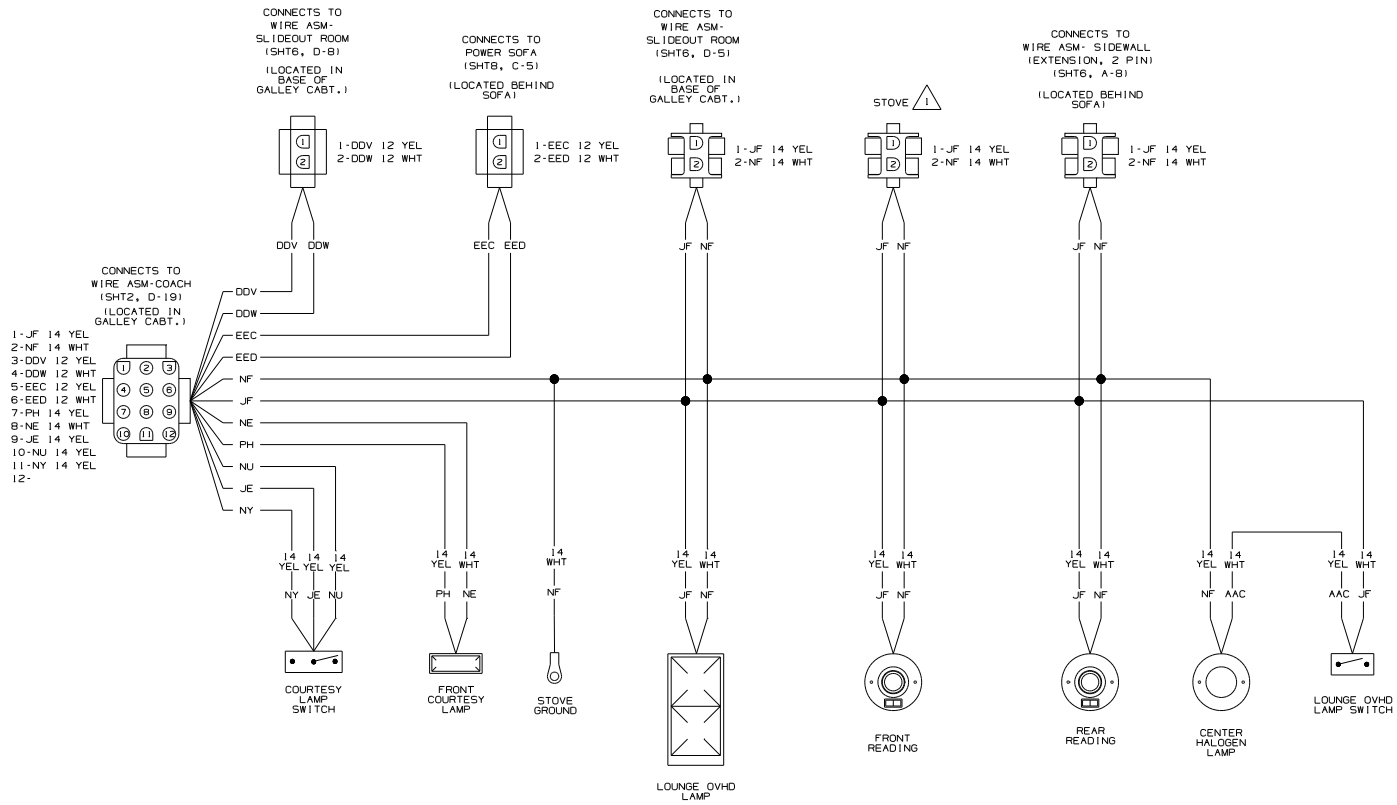
1 SEE MANUFACTURER'S DIAGRAM FOR ADDITIONAL INFORMATION.
NOTES:



WIRING DIAGRAM-SLIDEOUT, REAR (WIRE ASM-138365)

NOTE NOTES:

FIRST USED	02 Q40E
DO NOT SCALE DRAWING	
TITLE:	WIRING DIAGRAM-BODY, 12V
SHEET 4	PART NO 140204

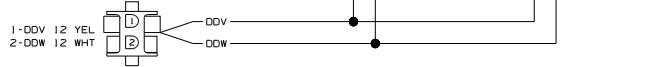
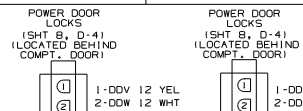


WIRING DIAGRAM-SLIDEOUT, FRONT
(WIRE ASM-1408261)

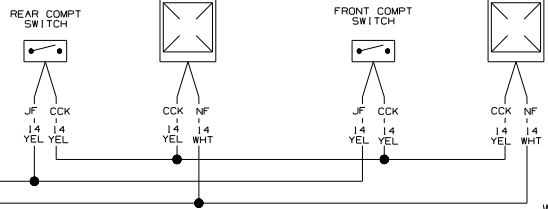
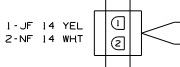
NOTES:
1 SEE MANUFACTURER'S DIAGRAM FOR ADDITIONAL INFORMATION.

FIRST USED	02 Q40E
DO NOT SCALE DRAWING	
TITLE:	WIRING DIAGRAM- BODY, 12V
SHEET 5	PART NO 140204

CONNECTS TO WIRE ASM- SLIDEOUT ROOM (SHTS, D-6) (LOCATED IN BASE OF GALLEY CABT.1)

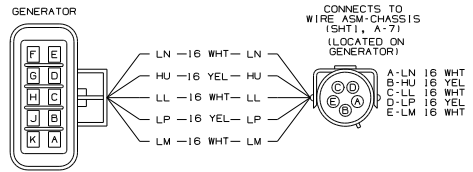


CONNECTS TO WIRE ASM- SLIDEOUT ROOM (SHTS, D-5) (LOCATED IN BASE OF GALLEY CABT.)



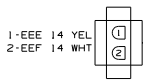
WIRING DIAGRAM-COMPT. SLIDEOUT (WIRE ASM-130244-02)

A-LN-16 WHT
B-HU 16 YEL
C-LL 16 WHT
D-
E-LM 16 WHT
F-LP 16 YEL
G-
H-
J-
K-



WIRING DIAGRAM GEN, ADAPT, DIESEL (WIRE ASM-130332-02)

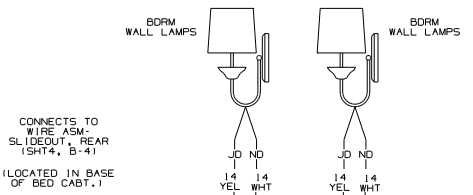
CONNECTS TO WIRE ASM-CHASSIS (SHT1, A-5) (LOCATED IN BASE OF REFRIG CABT.)



CONNECTS TO WIRE ASM-CHASSIS (SHT1, D-24) (LOCATED IN BASE OF REFRIG CABT.)

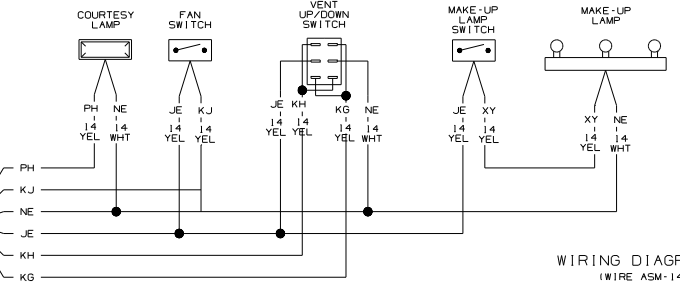


WIRING DIAGRAM-SIDEWALL (WIRE ASM-139057)



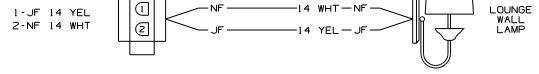
WIRING DIAGRAM-SIDEWALL (WIRE ASM-133574-07)

CONNECTS TO WIRE ASM- SIDEWALL (SHT6, B-5) (LOCATED IN BASE OF VANITY CABT.)

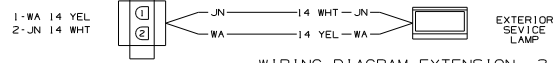


WIRING DIAGRAM-BATH (WIRE ASM-140814)

CONNECTS TO WIRE ASM- SLIDEOUT, FRONT (SHTS, D-3) (LOCATED BEHIND SOFA)

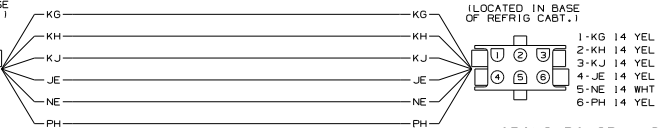
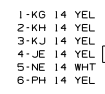


CONNECTS TO WIRE ASM-COACH (SHT2, B-1) (LOCATED IN BASE OF BATH LAVATORY CABT.)



WIRING DIAGRAM-EXTENSION, 2 PIN (WIRE ASM-133572)

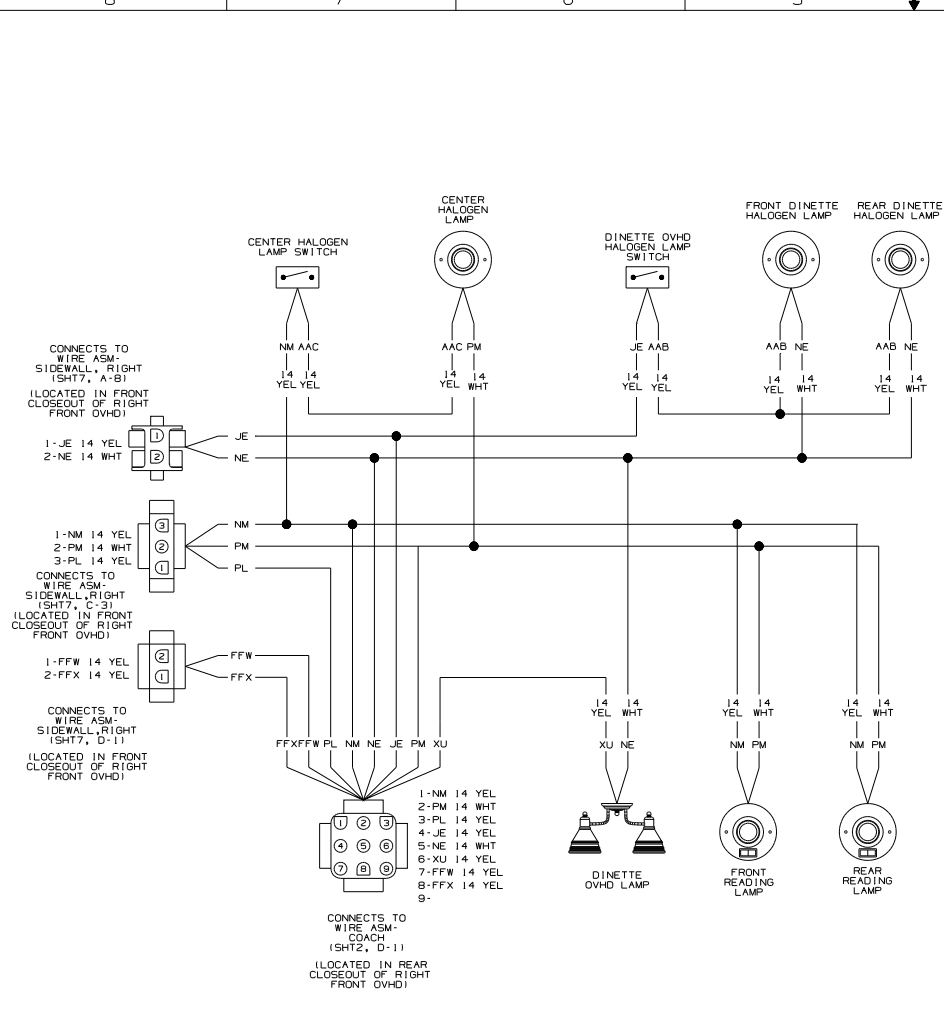
CONNECTS TO WIRE ASM-BATH (SHTS, B-4) (LOCATED IN BASE OF VANITY CABT.)



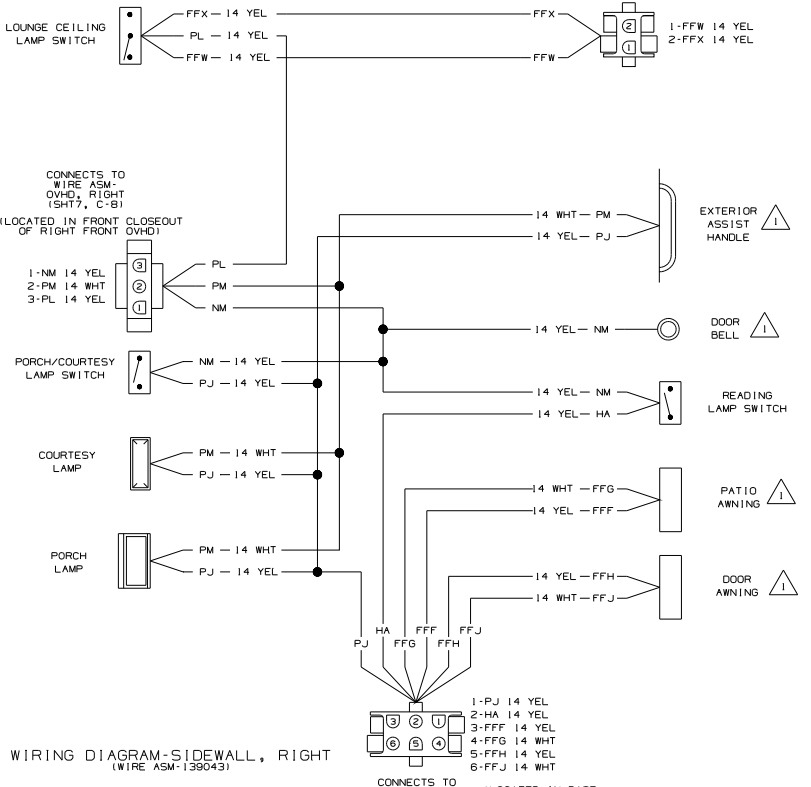
WIRING DIAGRAM-SIDEWALL (WIRE ASM-140816)

NOTES: 1 SEE MANUFACTURER'S DIAGRAM FOR ADDITIONAL INFORMATION.

FIRST USED	02 Q40E
TITLE	DO NOT SCALE DRAWING
WIRING DIAGRAM- BODY, 12V	
SHEET 6	PART NO 140204



WIRING DIAGRAM-OVHD, RIGHT (WIRE ASM-141713)

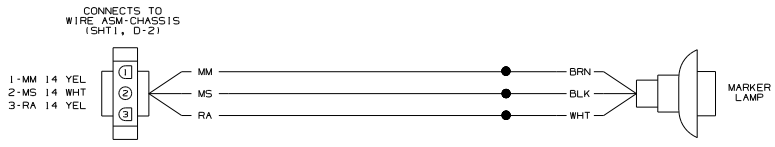


WIRING DIAGRAM-SIDEWALL, RIGHT (WIRE ASM-139043)

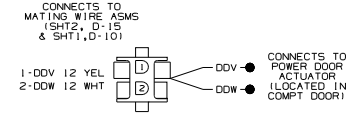
WIRING DIAGRAM-PORCH LIGHT (WIRE ASM-93051-10)

NOTES: SEE MANUFACTURER'S DIAGRAM FOR ADDITIONAL INFORMATION.

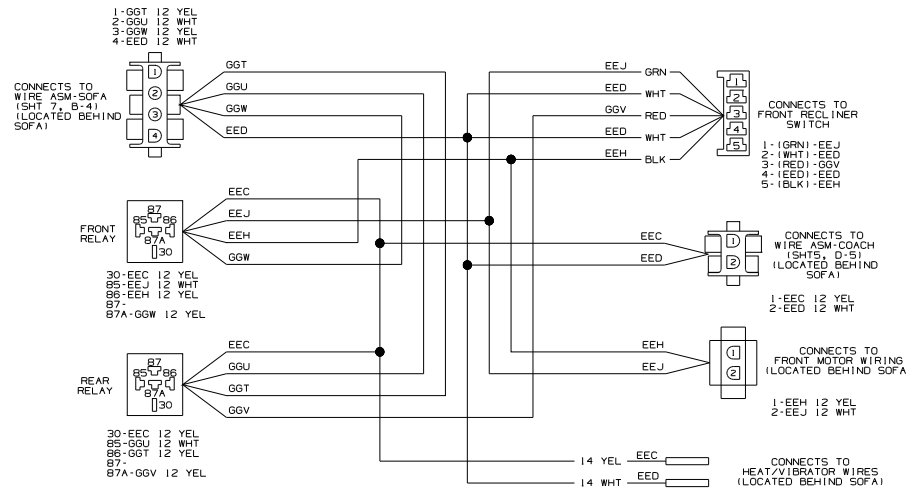
FIRST USED	02 Q40E
DO NOT SCALE DRAWING	
TITLE:	WIRING DIAGRAM-BODY, 12V
SHEET 7	PART NO 140204



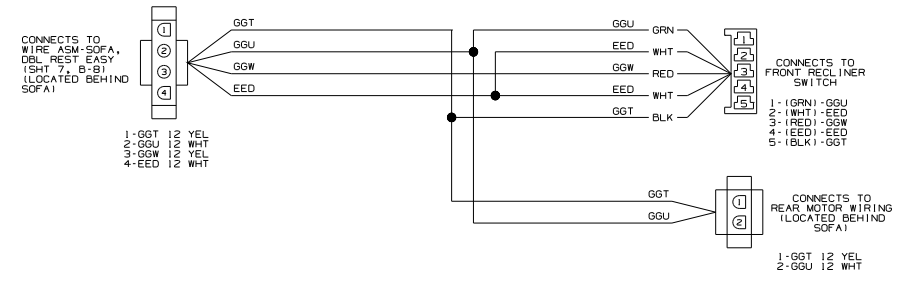
WIRING DIAGRAM-SIDE MARKER (WIRE ASM 107775-04)



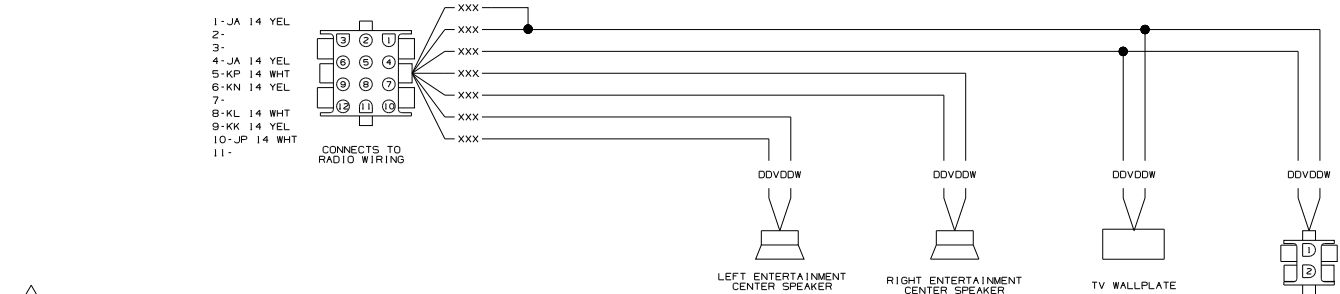
WIRING DIAGRAM-LOCK, COMPT. DOOR (WIRE ASM 135834-02)



WIRING DIAGRAM-SOFA, DBL REST EASY (WIRE ASM 139593-01)



WIRING DIAGRAM-SOFA, DBL REST EASY (WIRE ASM 139593-02)



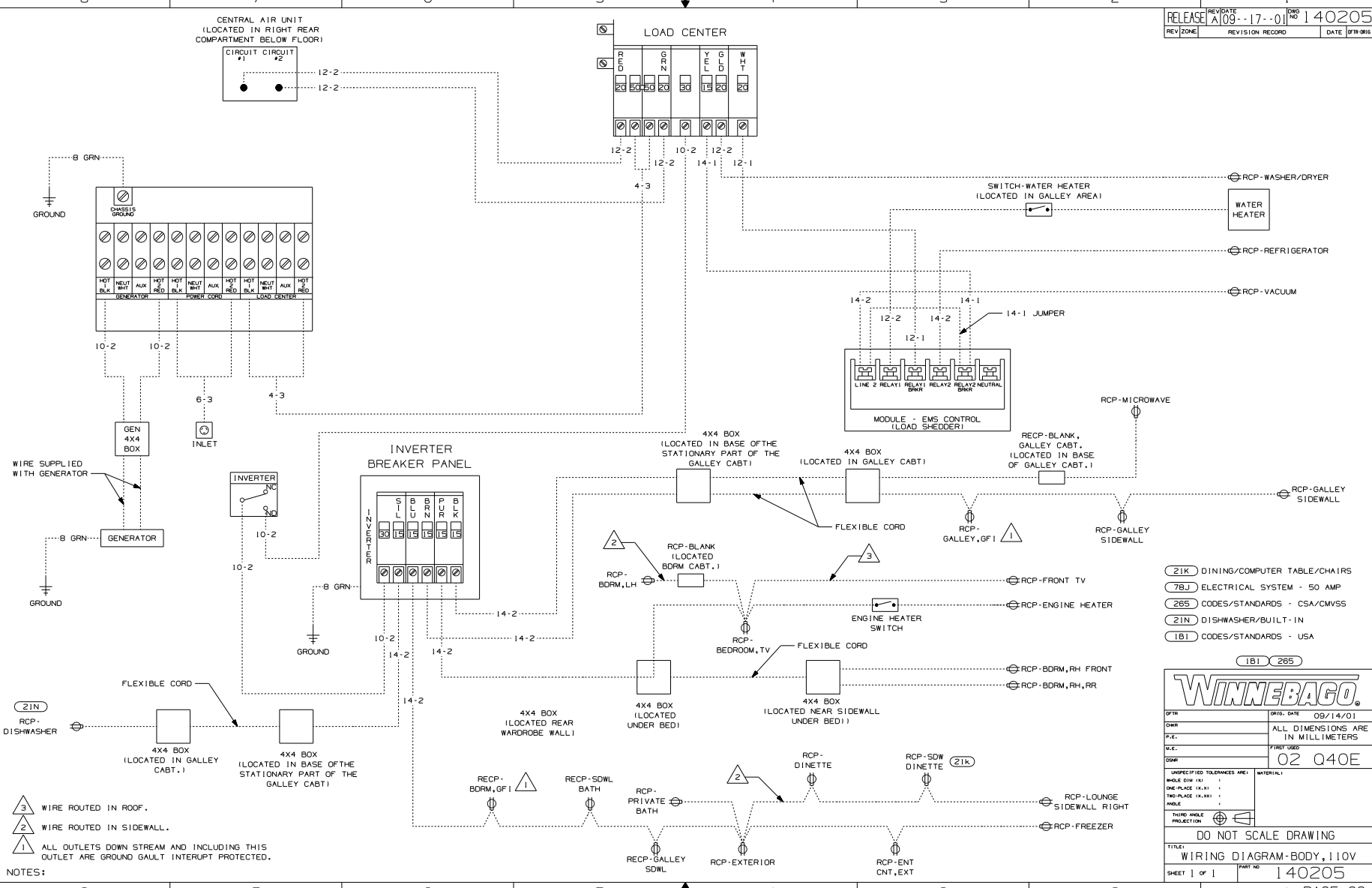
WIRING DIAGRAM-EXT. ENT. CTR. (WIRE ASM-125853-04)

NOTES: SEE MANUFACTURER'S DIAGRAM FOR ADDITIONAL INFORMATION.

FIRST USED	02 Q40E
DO NOT SCALE DRAWING	
TITLE:	WIRING DIAGRAM-BODY, 12V
SHEET 8	PART NO 140204

CENTRAL AIR UNIT
 (LOCATED IN RIGHT REAR
 COMPARTMENT BELOW FLOOR)

LOAD CENTER



- (21K) DINING/COMPUTER TABLE/CHAIRS
- (78J) ELECTRICAL SYSTEM - 50 AMP
- (285) CODES/STANDARDS - CSA/CMVSS
- (21N) DISHWASHER/BUILT-IN
- (1B1) CODES/STANDARDS - USA

WINNEBAGO

DATE	ORIG. DATE	09/14/01
OWNER	ALL DIMENSIONS ARE IN MILLIMETERS	
P.E.		
V.E.	FIRST USED	
QDR	02 Q40E	

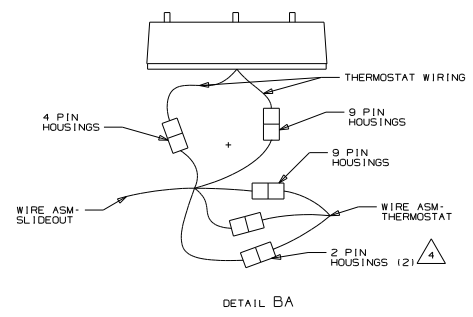
UNSPECIFIED TOLERANCES ARE:
 HOLE DIA. (X) ± .01
 ONE-PLACE (X,XX) ± .005
 TWO-PLACE (X,XXX) ± .0025

THIRD ANGLE PROJECTION

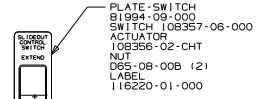
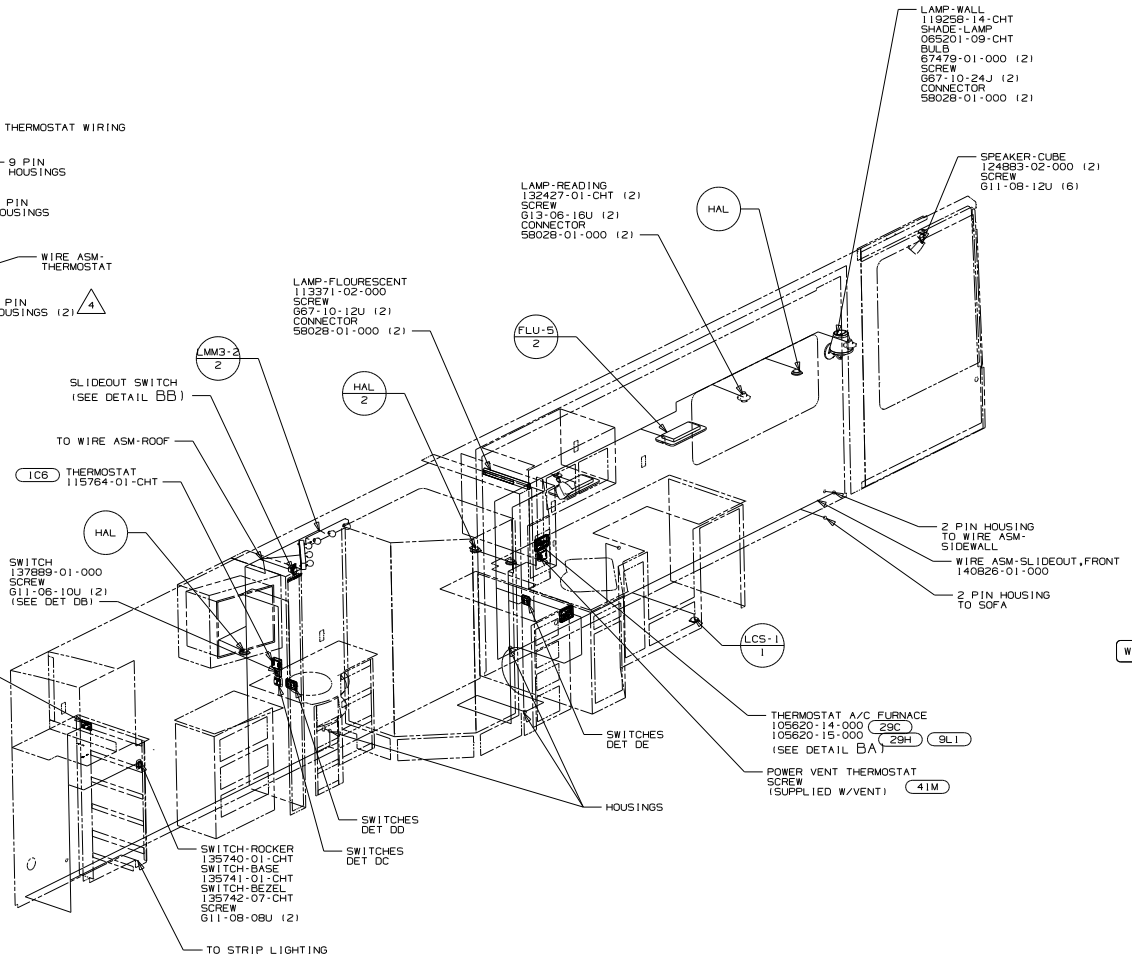
DO NOT SCALE DRAWING

TITLE: WIRING DIAGRAM-BODY, 110V
 SHEET 1 of 1 PART NO. 14205

NOTES:
 3 WIRE ROUTED IN ROOF.
 2 WIRE ROUTED IN SIDEWALL.
 1 ALL OUTLETS DOWN STREAM AND INCLUDING THIS OUTLET ARE GROUND GAULT INTERRUPT PROTECTED.



DETAIL BA



DETAIL BB

WARNING: DO NOT REMOVE THIS LABEL OR COVER THIS AREA

LABEL-WARNING 116549-01-000

- NOTES:
- WITHOUT (29H) PLUG THE TWO, TWO PIN HOUSINGS TOGETHER ON WIRE ASM-COACH
 - COAX CABLE IS INTERGRADED INTO THE WIRE ASM'S.
 - ALL WIRES TO BE SECURED WITH CLAMP 10495-01-000 OR CLIP 80734-01-000 EVERY 600MM. USE SCREW 667-10-12B UNLESS OTHERWISE SPECIFIED.

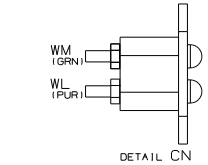
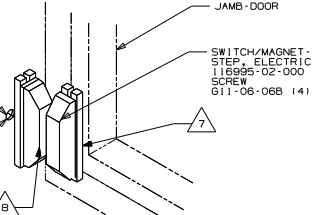
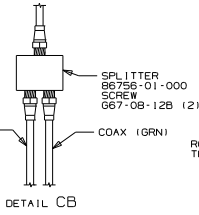
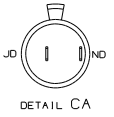
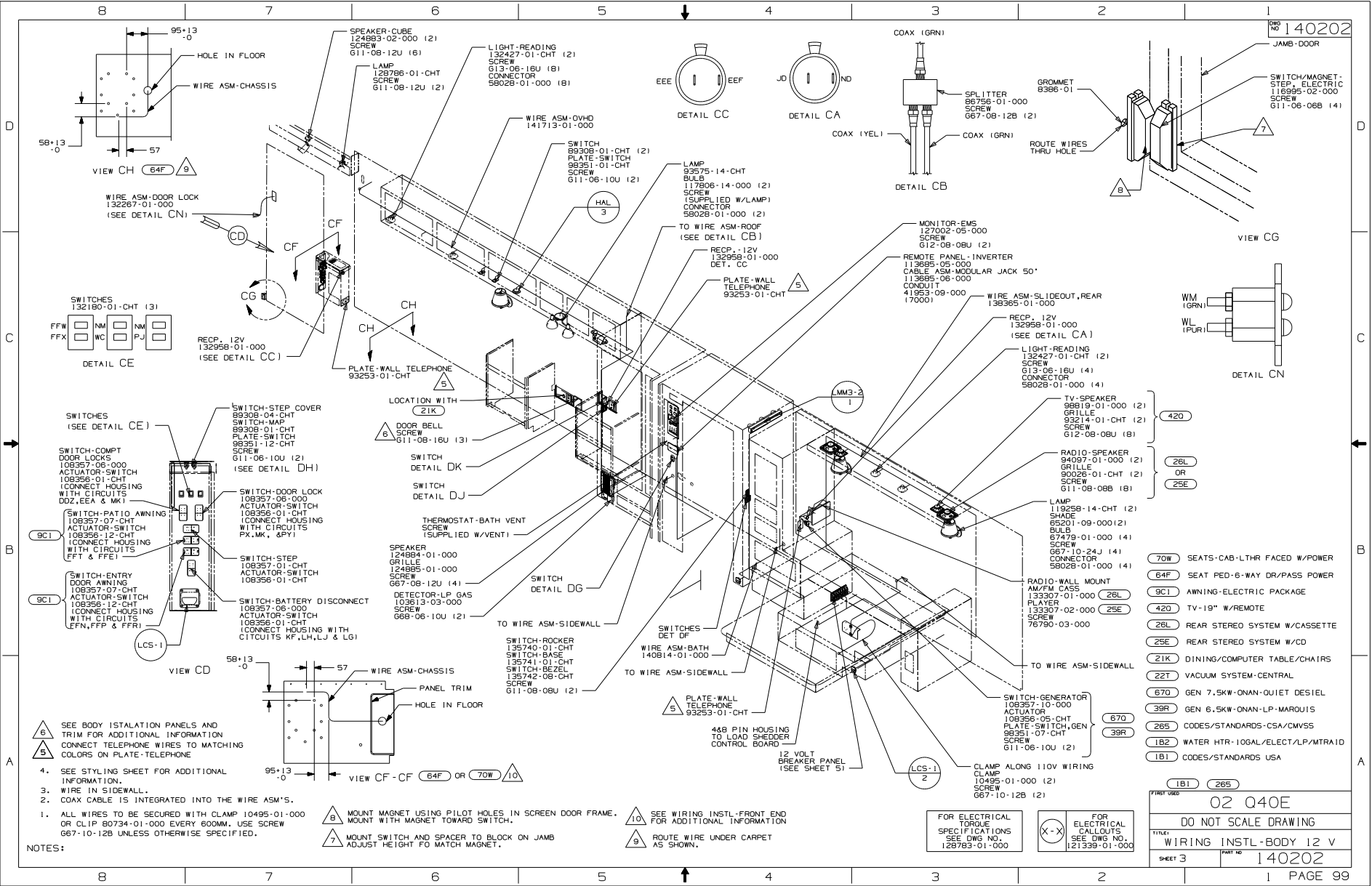
- (9L1) HOME COMFORT PLUS PACKAGE
- (29H) HEAT PUMP-A/C CENTRAL
- (29C) A/C CENTRAL
- (530) WINTERIZING KIT
- (41M) VENT-POWER VENTILATOR
- (ICB) FURNACE-25,000 BTU
- (265) CODES/STANDARDS-CSA/CMVSS
- (IB1) CODES/STANDARDS USA

- (1B1) (265) (78J) (79J)

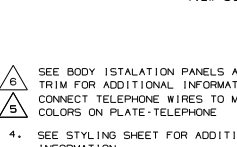
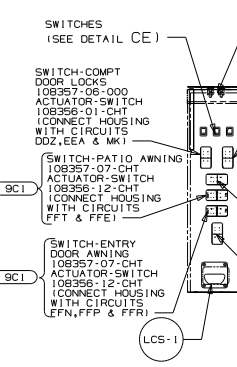
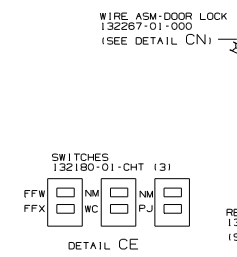
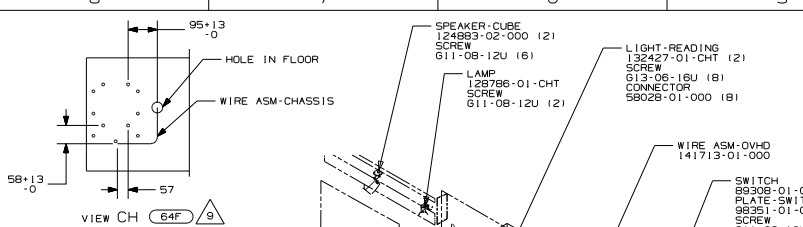
FOR ELECTRICAL TORQUE SPECIFICATIONS SEE DWG NO. 128793-01-000

FOR ELECTRICAL CALLOUTS SEE DWG NO. 121339-01-000

FIRST USED		02 Q40E	
DO NOT SCALE DRAWING			
TITLE: WIRING INSTL-BODY 12 V			
SHEET 2	PART NO	140202	



- (420) TV-SPEAKER 98819-01-000 (2)
- (420) GRILLE 93214-01-CHT (2)
- (420) SCREW 612-08-08U (8)
- (26L) RADIO-SPEAKER 94097-01-000 (2)
- (26L) GRILLE 90026-01-CHT (2)
- (26L) OR SCREW 611-08-08B (8)
- (25E) LAMP 119258-14-CHT (2)
- (25E) SHADE 65201-09-000 (2)
- (25E) BULB 67479-01-000 (4)
- (25E) SCREW 667-10-24J (4)
- (25E) CONNECTOR 58028-01-000 (4)
- (70W) SEATS-CAB-LTHR FACED W/POWER
- (64F) SEAT PED-6-WAY DR/PASS POWER
- (9C1) AWNING-ELECTRIC PACKAGE
- (420) TV-19" W/REMOTE
- (26L) REAR STEREO SYSTEM W/CASSETTE
- (25E) REAR STEREO SYSTEM W/CD
- (21K) DINING/COMPUTER TABLE/CHAIRS
- (22T) VACUUM SYSTEM-CENTRAL
- (670) GEN 7,5KW-ONAN-QUIET DIESEL
- (39R) GEN 6,5KW-ONAN-LP-MARQUISS
- (26S) CODES/STANDARDS-CSA/CMVSS
- (1B2) WATER HTR-10GAL/ELECT/LP/MTR/1AID
- (1B1) CODES/STANDARDS USA
- (670) SWITCH-GENERATOR 108357-10-000
- (39R) ACTUATOR 108356-05-CHT
- (39R) PLATE-SWITCH,GEN 98351-07-CHT
- (39R) SCREW 611-06-10U (2)
- (1B1) CLAMP ALONG 110V WIRING 10495-01-000 (2)
- (1B1) SCREW 667-10-12B (2)



SEE BODY INSTALLATION PANELS AND TRIM FOR ADDITIONAL INFORMATION. CONNECT TELEPHONE WIRES TO MATCHING COLORS ON PLATE-TELEPHONE.

- SEE STYLING SHEET FOR ADDITIONAL INFORMATION.
- WIRE IN SIDEWALL.
- COAX CABLE IS INTEGRATED INTO THE WIRE ASM'S.

- ALL WIRES TO BE SECURED WITH CLAMP 10495-01-000 OR CLIP 80734-01-000 EVERY 600MM. USE SCREW 667-10-12B UNLESS OTHERWISE SPECIFIED.

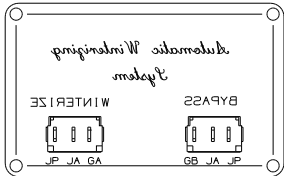
- (B) MOUNT MAGNET USING PILOT HOLES IN SCREEN DOOR FRAME. MOUNT WITH MAGNET TOWARD SWITCH.
- (7) MOUNT SWITCH AND SPACER TO BLOCK ON JAMB. ADJUST HEIGHT TO MATCH MAGNET.

- (10) SEE WIRING INSTL-FRONT END FOR ADDITIONAL INFORMATION.
- (9) ROUTE WIRE UNDER CARPET AS SHOWN.

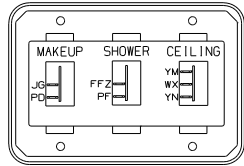
FOR ELECTRICAL TORQUE SPECIFICATIONS SEE DWG NO. 128793-01-000

FOR ELECTRICAL CALLOUTS SEE DWG NO. 121339-01-000

02 Q40E
DO NOT SCALE DRAWING
WIRING INSTL-BODY 12 V
FIRST ORG
SHEET 3 PART NO 140202
PAGE 99

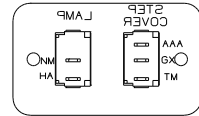


DETAIL DA

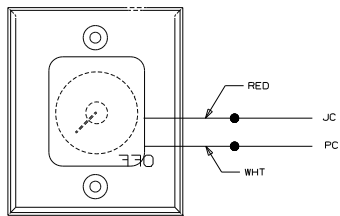


DETAIL DD

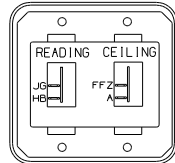
SWITCH-ROCKER
 135740-01-CHT (2)
 135740-02-CHT
 SWITCH-BASE
 135741-03-CHT
 SWITCH-BEZEL
 135742-28-CHT
 SCREW
 611-08-08U (14)



DETAIL DH

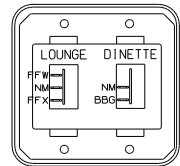


DETAIL DB



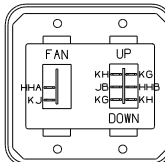
DETAIL DE

SWITCH-ROCKER
 135740-01-CHT (2)
 SWITCH-BASE
 135741-02-CHT
 SWITCH-BEZEL
 135742-XX-CHT
 SCREW
 611-08-08U (14)



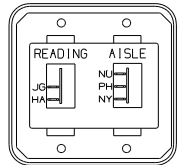
DETAIL DJ

SWITCH-ROCKER
 135740-01-CHT
 135740-02-CHT
 SWITCH-BASE
 135741-02-CHT
 SWITCH-BEZEL
 135742-XX-CHT
 SCREW
 611-08-08U (14)



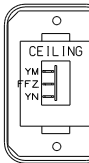
DETAIL DF

SWITCH-ROCKER
 135740-01-CHT
 135740-03-CHT
 SWITCH-BASE
 135741-02-CHT
 SWITCH-BEZEL
 135742-17-CHT
 SCREW
 611-08-08U (14)



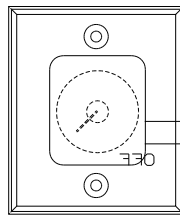
DETAIL DC

SWITCH-ROCKER
 135740-01-CHT
 135740-02-CHT
 SWITCH-BASE
 135741-02-CHT
 SWITCH-BEZEL
 135742-21-CHT
 SCREW
 611-08-08U (14)



DETAIL DG

SWITCH-ROCKER
 135740-02-CHT
 SWITCH-BASE
 135741-01-CHT
 SWITCH-BEZEL
 135742-07-CHT
 SCREW
 611-08-08U (12)



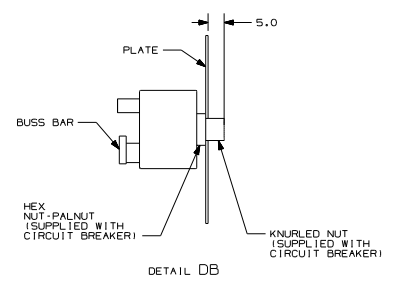
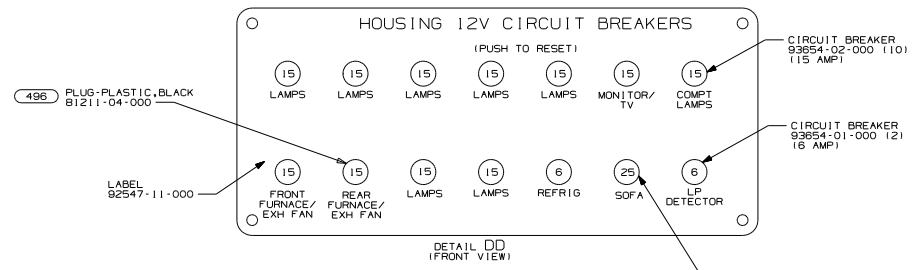
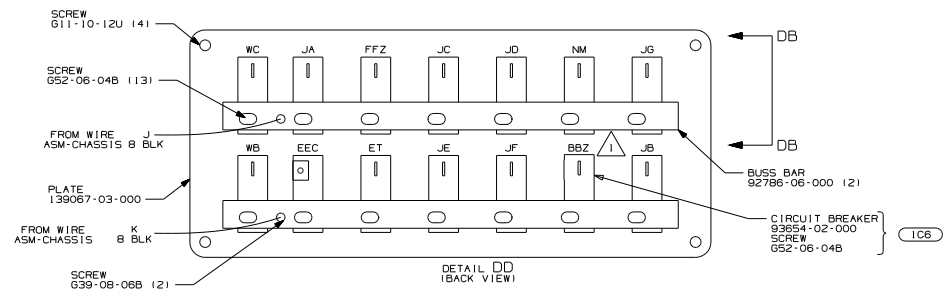
DETAIL DK

SWITCH
 137889-01-000
 SCREW
 611-08-10U (12)

FOR ELECTRICAL
 TORQUE
 SPECIFICATIONS
 SEE DWG NO.
 128793-01-000

FOR
 ELECTRICAL
 CALLOUTS
 SEE DWG NO.
 121339-01-000

FIRST USED
 02 Q40E
 DO NOT SCALE DRAWING
 TITLE:
 WIRING INSTL-BODY 12 V
 SHEET 4 PART NO 140202



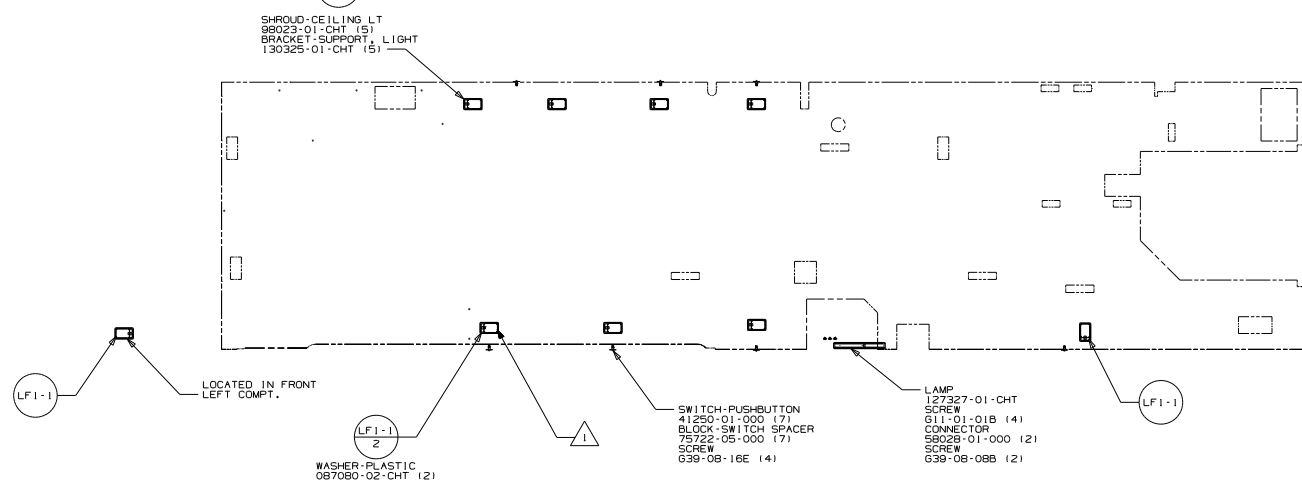
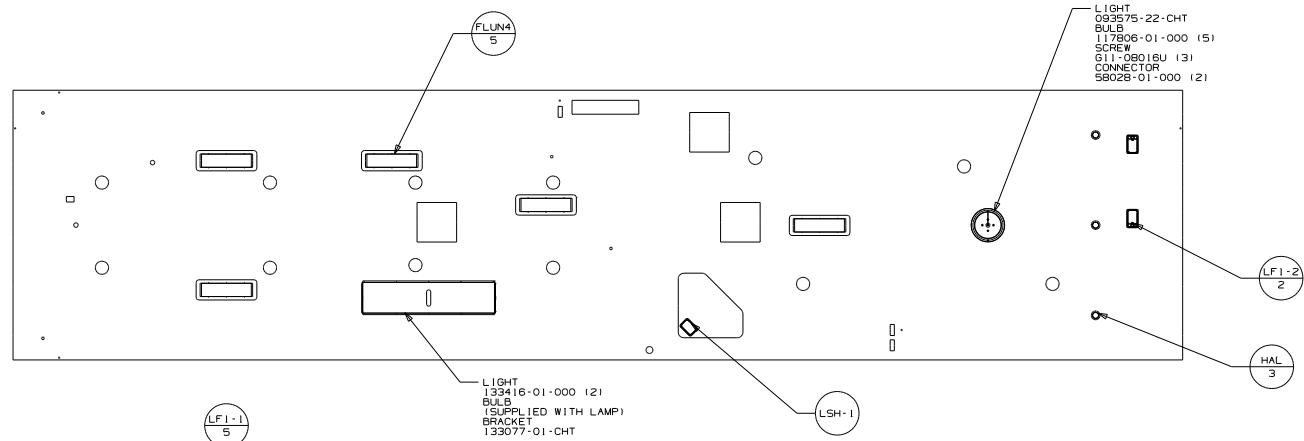
- 496 FURNACE WITHOUT
- 1C6 FURNACE 25,000 BTU
- 265 CODES/STANDARDS-CSA/CMVSS
- 1B1 CODES/STANDARDS USA
- 1B1 265

FIRST USED	02 Q40E
DO NOT SCALE DRAWING	
TITLE:	WIRING INSTL-BODY 12 V
SHEET 5	PART NO 140202

FOR ELECTRICAL TORQUE SPECIFICATIONS SEE DWG NO 128793-01-000

FOR ELECTRICAL CALLOUTS SEE DWG NO 121339-01-000

NOTES: 1 TIE BACK TO MAIN WIRE ASM WITH 496.



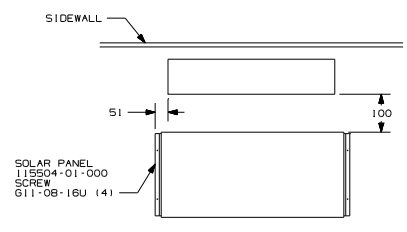
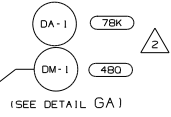
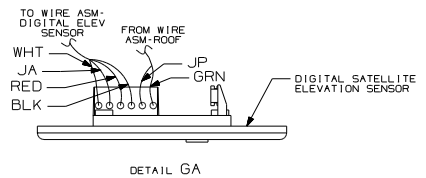
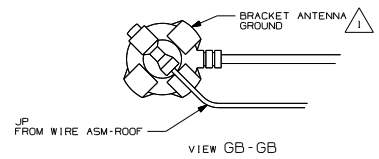
- (265) CODES/STANDARDS- CSA/CMVSS
- (1B1) CODES/STANDARDS USA
- (1B1) (265)

FIRST USED	
02 Q40E	
DO NOT SCALE DRAWING	
TITLE:	
WIRING INSTL-BODY 12 V	
SHEET 6	PART NO 140202

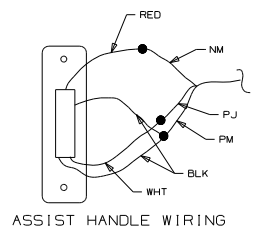
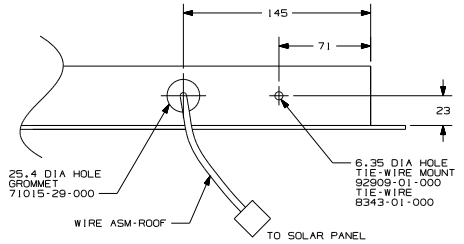
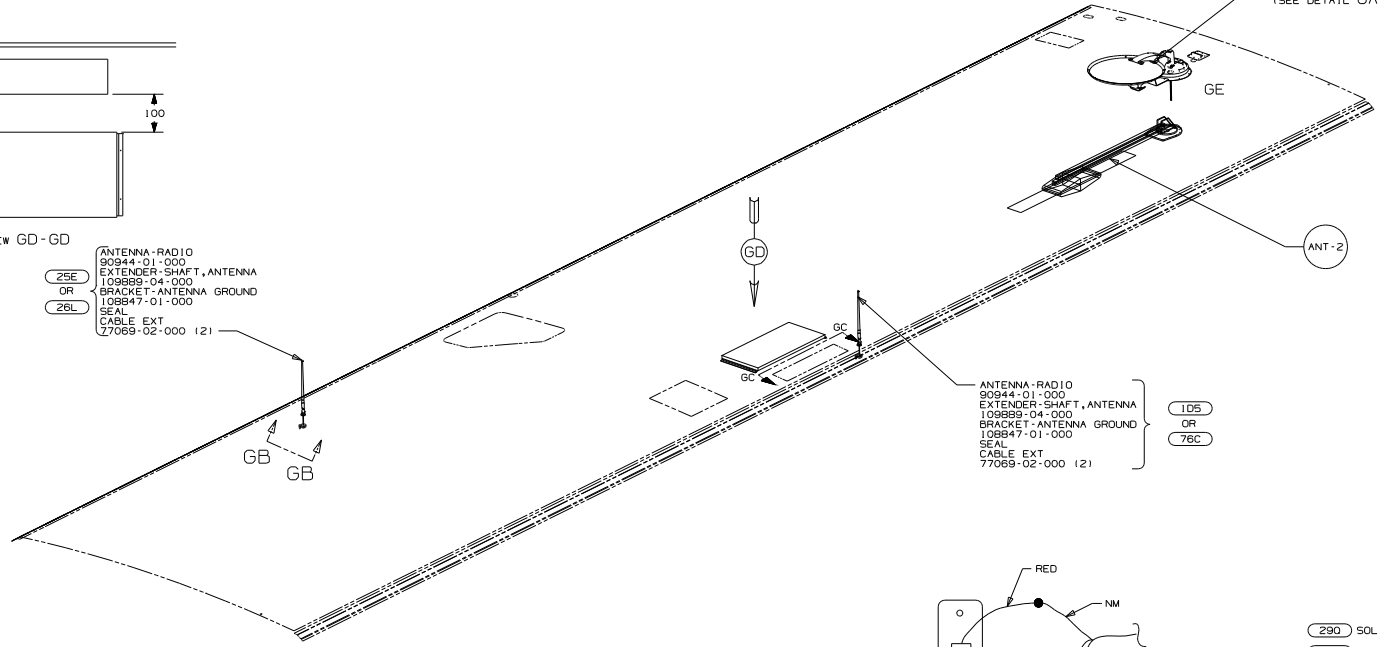
FOR ELECTRICAL
TORQUE
SPECIFICATIONS
SEE DWG NO.
128793-01-000

(X-X)
FOR
ELECTRICAL
CALLOUTS
SEE DWG NO.
121339-01-000

NOTES:



- ANTENNA-RADIO 90944-01-000
 - EXTENDER-SHAFT, ANTENNA 109889-04-000
 - BRACKET-ANTENNA GROUND 109847-01-000
 - SEAL 77069-02-000 (2)
 - CABLE EXT
- 25E OR 26L



- 290 SOLAR PANEL-10 WATT
 - 25E REAR STEREO SYSTEM W/CD
 - 26L REAR STEREO SYSTEM W/CASSETTE
 - 105 ENTERTAINMENT CTR/EXT W/CD
 - 78C ENTERTAINMENT CTR/EXT CASSETTE
 - 78K SATELLITE DISH-AUTOMATIC
 - 480 SATELLITE DISH & ELEV. SENSOR
 - 265 CODES/STANDARDS-CSA/CMVSS
 - 1B1 CODES/STANDARDS USA
- 1B1 265

2 SEE MANUFACTURER'S INSTALLATIONS FOR ADDITIONAL INFORMATION.

1 WRAP BRACKET LEGS AROUND ANTENNA BASE.

NOTES:

FOR ELECTRICAL TORQUE SPECIFICATIONS SEE DWG NO 128793-01-000

FOR ELECTRICAL CALLOUTS SEE DWG NO 121339-01-000

FIRST USED 02 Q40E

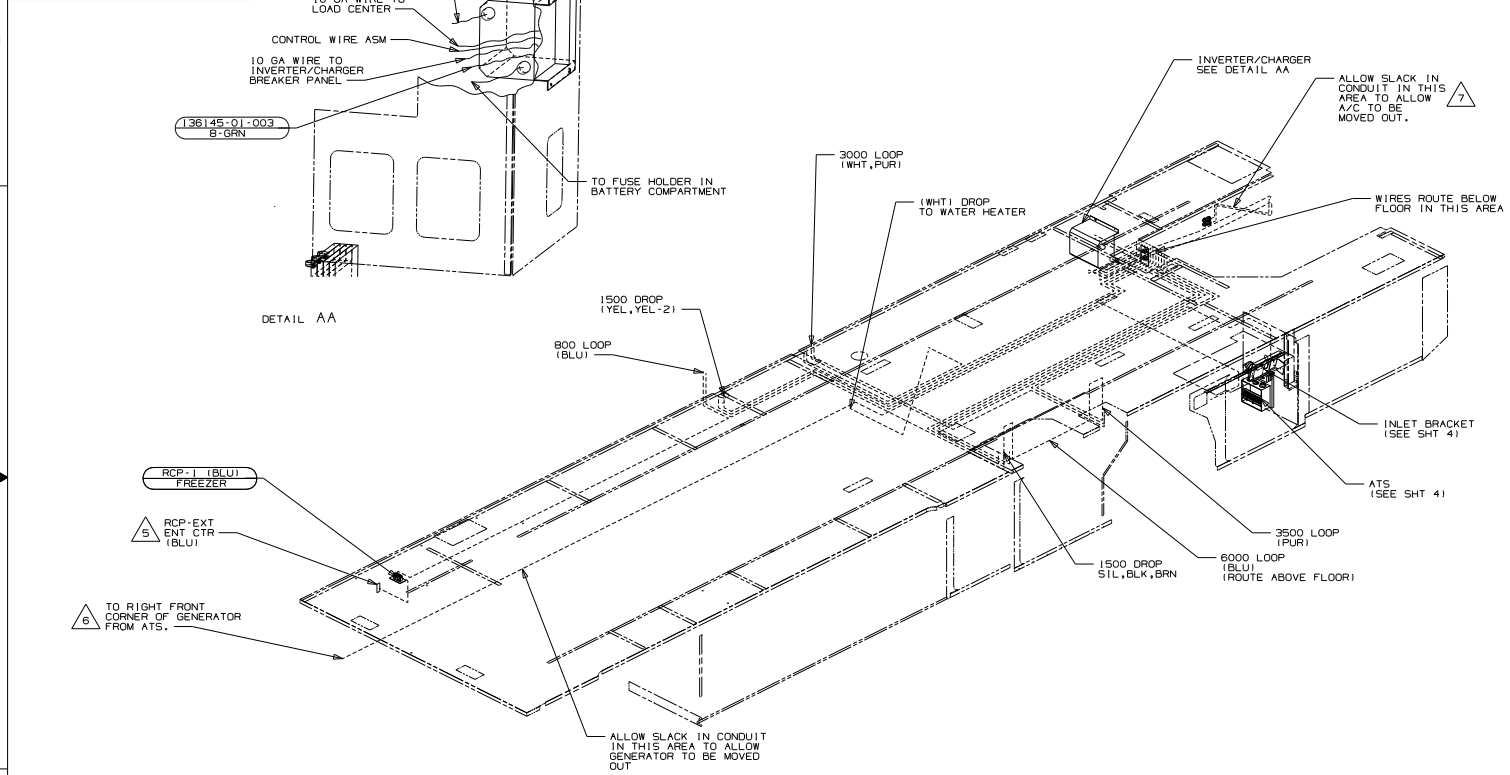
DO NOT SCALE DRAWING

TITLE: WIRING INSTL-BODY 12 V

SHEET 7 PART NO 140202

DRAWING NO.	FEATURE
140203-01	-----
140203-14	1B1, 78J, 79J
140203-18	265, 78J, 79J

RELEASE DATE: 09-04-01
 REV: ZONE
 REVISION RECORD
 DATE: 078-018
 Dwg No: 140203



- 7 SEE A/C INSTL. FOR ADDITIONAL INFORMATION
- 6 SEE GENERATOR INSTL. FOR ADDITIONAL INFORMATION.
- 5 SEE EXT ENT CTR COMPL. FOR ADDITIONAL INFORMATION
- 4. SEE WIRING DIAGRAM FOR ADDITIONAL INFORMATION.

3. ALL GROUND WIRE TO BE COVERED WITH TUBING 8041-02-000.
2. ALL 110V WIRE TO BE CLAMPED WITH CLAMP 10497-05-000 WITHIN 200 OF OUTLET BOXES, USE SCREW 667-10-128.
1. ALL WIRES TO BE SECURED WITH CLAMP 10495-01-000 OR CLIP 80734-01-000 EVERY 600MM. USE SCREW 667-10-128 UNLESS OTHERWISE SPECIFIED.

NOTES:

- 79J INVERTER/CHARGER-1,500 WATT
- 78J ELECTRICAL SYSTEM-50 AMP
- 265 CODES/STANDARDS-CSA/CMVSS
- 1B1 CODES/STANDARDS USA

WINNEBAGO

ORIG. DATE: 08-29-01

ALL DIMENSIONS ARE IN MILLIMETERS

FIRST USED: 02 Q40E

UNSPECIFIED TOLERANCES ARE:

THIRD ANGLE PROJECTION	<input checked="" type="checkbox"/>
MATERIAL:	
ROUND DIM (R)	<input type="checkbox"/>
ONE-PLACE (X, X1)	<input checked="" type="checkbox"/>
TWO-PLACE (X, X2)	<input type="checkbox"/>
HOLE	<input type="checkbox"/>

DO NOT SCALE DRAWING

TITLE: WIRING INSTL-BODY 110 V

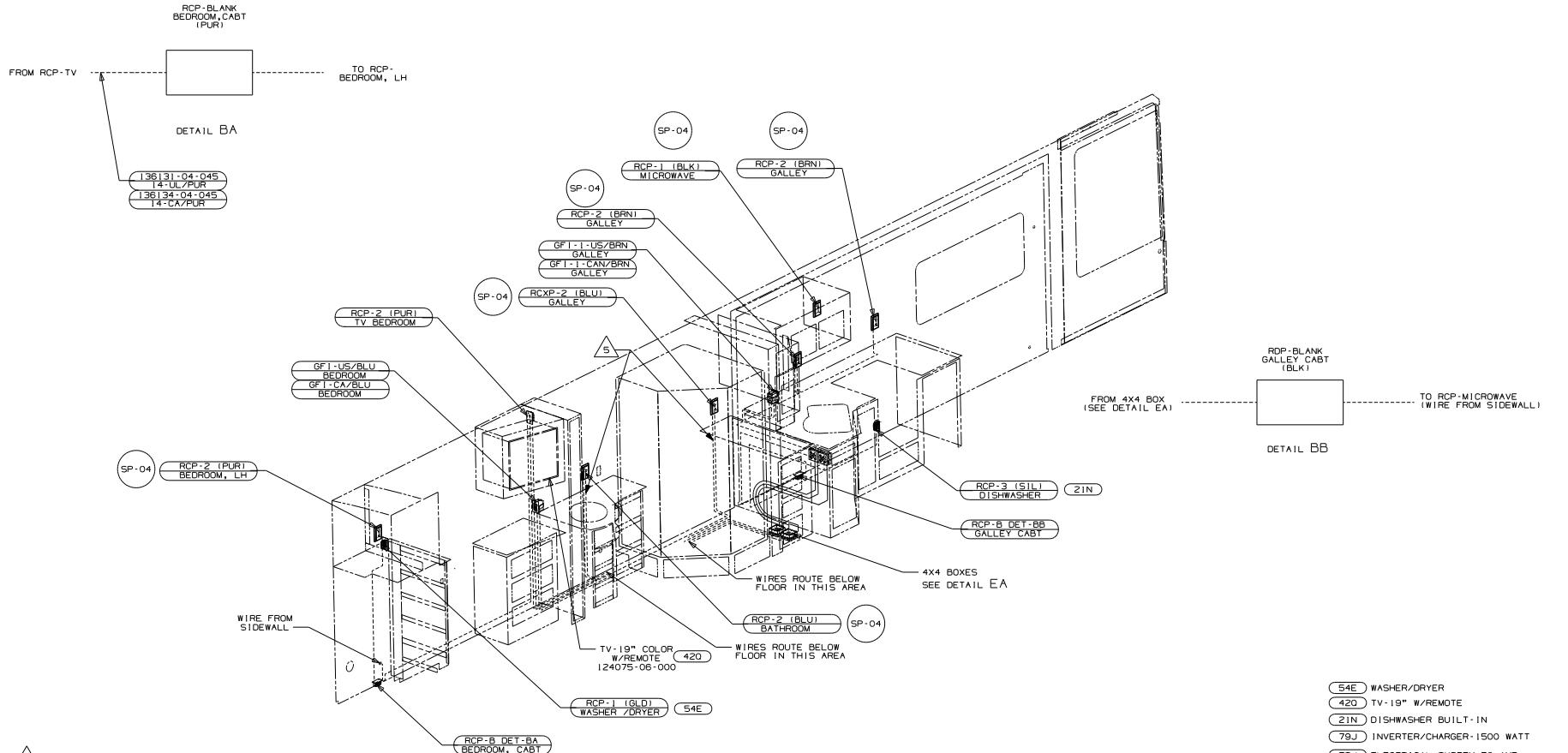
SHEET 1 of 6 PART NO 140203

REF: 1 PAGE 104

FOR ELECTRICAL TORQUE SPECIFICATIONS SEE DWG NO. 128793-01-000

FOR ELECTRICAL CALLOUTS SEE DWG NO. 121339-01-000





△ ROUTE WIRE IN SIDEWALL

4. SEE WIRING DIAGRAM-BODY FOR ADDITIONAL INFORMATION
3. ALL GROUND WIRE TO BE COVERED WITH TUBING 8041-02-000.
2. ALL 110V WIRE TO BE CLAMPED WITH CLAMP 10497-05-000 WITHIN 200 OF OUTLET BOXES, USE SCREW 667-10-12B.
1. ALL WIRES TO BE SECURED WITH CLAMP 10495-01-000 OR CLIP 80734-01-000 EVERY 600MM. USE SCREW 667-10-12B UNLESS OTHERWISE SPECIFIED.

NOTES:

- (54E) WASHER/DRYER
- (420) TV-19" W/REMOTE
- (21N) DISHWASHER BUILT-IN
- (79J) INVERTER/CHARGER-1500 WATT
- (78J) ELECTRICAL SYSTEM-50 AMP
- (265) CODES/STANDARDS-CSA/CMVSS
- (1B1) CODES/STANDARDS USA

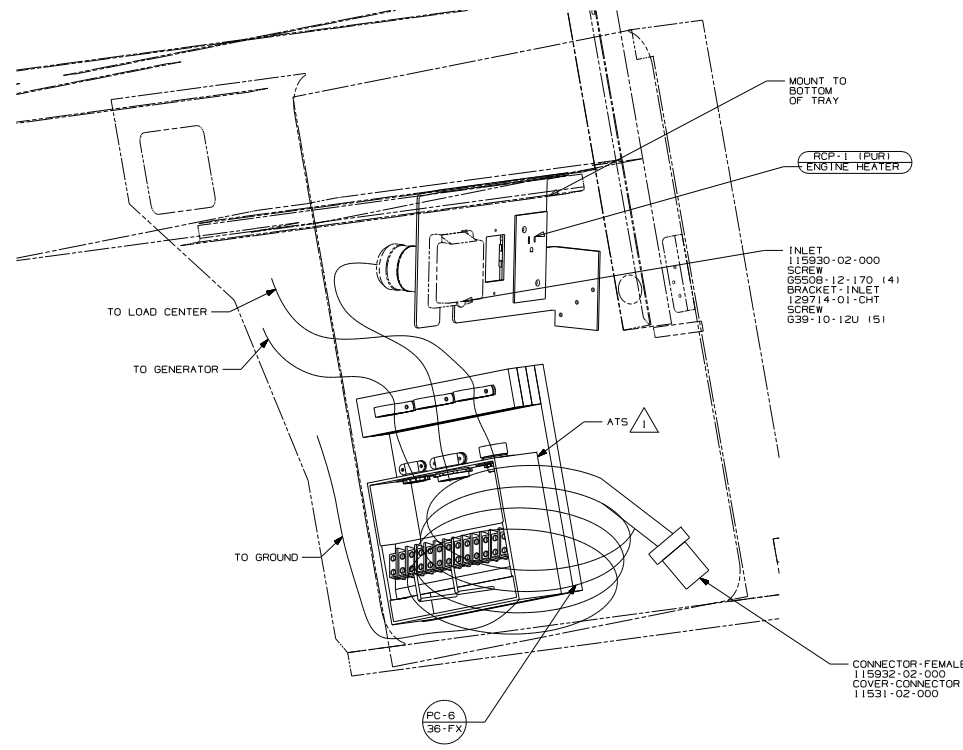
(1B1) (265) (78J) (79J)

FOR ELECTRICAL TORQUE SPECIFICATIONS SEE DWG NO. 128793-01-000

FOR ELECTRICAL CALLOUTS SEE DWG NO. 121339-01-000



FIRST USED		02 Q40E	
DO NOT SCALE DRAWING			
TITLE: WIRING INSTL-BODY 110 V			
SHEET 2	PART NO		140203



SEE LOAD CENTER/ATS ASM FOR ADDITIONAL INFORMATION

NOTES:

FOR ELECTRICAL TORQUE SPECIFICATIONS SEE DWG NO. 128793-01-000

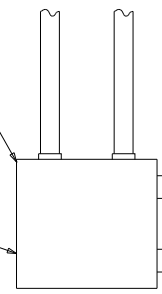
FOR ELECTRICAL CALLOUTS SEE DWG NO. 121339-01-000

FIRST USED		02 Q40E	
DO NOT SCALE DRAWING			
TITLE: WIRING INSTL-BODY 110 V			
SHEET 4	PART NO	140203	

- BOX 8289-01-000 (2)
- SCREW 667-08-12B (4)
- COVER 8294-02-000 (2)
- CONNECTOR 8356-01-000 (8)
- WIRE 8019-01-000 (2) (150)
- TERMINAL 8328-01-000 (2)
- CONNECTOR 8313-01-000 (8)
- 8314-01-000 (2)
- SCREW-GROUND, GREEN 103291-01-000 (2)

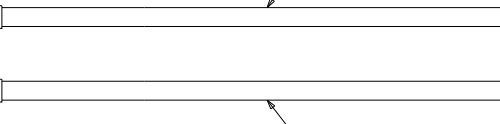
4X4 BOX LOCATED ON FRONT SIDE OF SHOWER WALL

FROM INVERTER BREAKER PANEL (BLK) FROM INVERTER BREAKER PANEL (BRN)



WIRES TO BE SPLICED WHT TO WHT BLK TO BLK KEEP CIRCUITS SEPARATE

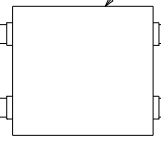
CABLE ASM 136151-03-030 (BRN)



CABLE ASM 136151-06-030 (BLK)

WIRES TO BE SPLICED WHT TO WHT BLK TO BLK KEEP CIRCUITS SEPARATE

4X4 BOX LOCATED IN GALLEY CABINET



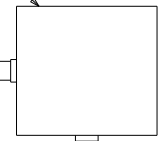
- 136131-03-053
- 14-UL/BRN
- 136134-03-053
- 14-CA/BRN

- 136131-06-030
- 14-UL/BLK
- 136134-06-030
- 14-CA/BLK

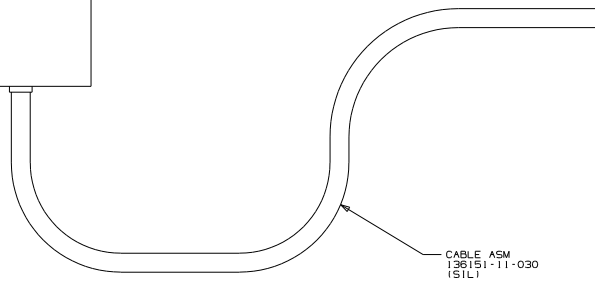
DETAIL EB (1B1) (2B5)

4X4 BOX (LOCATED BELOW FLOOR UNDER SHOWER)

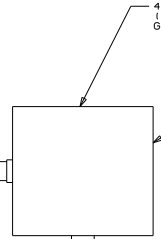
FROM INVERTER BREAKER PANEL (SIL)



CABLE ASM 136151-11-030 (SIL)



4X4 BOX (LOCATED IN GALLEY CABINET)



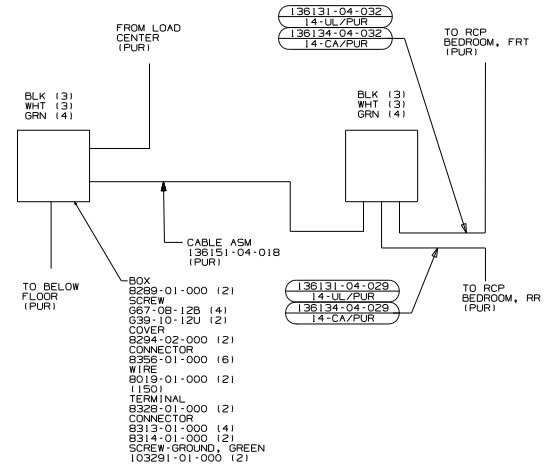
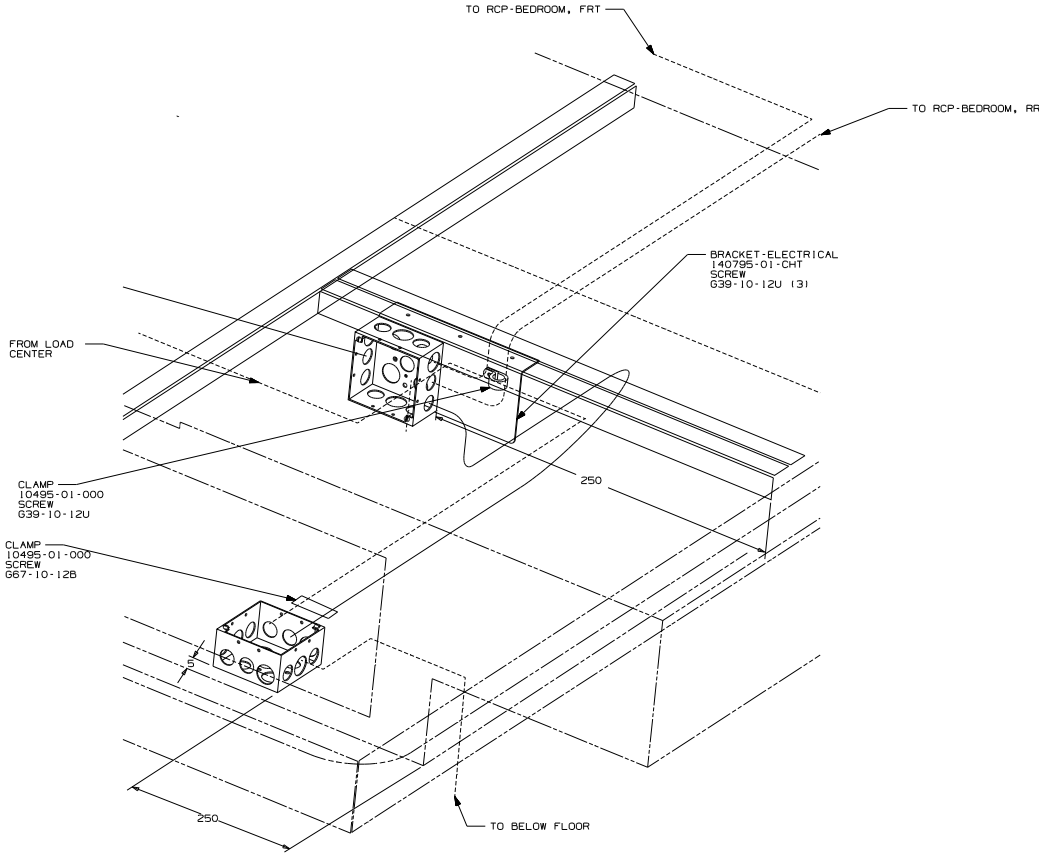
- BOX 8289-01-000 (2)
- SCREW 667-08-12B (4)
- COVER 8294-02-000 (2)
- CONNECTOR 8356-01-000 (4)
- WIRE 8019-01-000 (2) (150)
- TERMINAL 8328-01-000 (2)
- CONNECTOR 8313-01-000 (4)
- 8314-01-000 (2)
- SCREW-GROUND, GREEN 103291-01-000 (2)

- 136131-11-049
- 14-UL/SIL

- (1B1) DISHWASHER BUILT-IN
- (1B1) CODES/STANDARDS-CA/CMVSS
- (1B1) CODES/STANDARDS USA

DETAIL EA (1B1) (21N)

FIRST USED	02 Q40E
TITLE:	DO NOT SCALE DRAWING
WIRING INSTL-BODY 110 V	
SHEET 5	PART NO 140203



4. SEE WIRING DIAGRAM-BODY FOR ADDITIONAL INFORMATION
3. ALL GROUND WIRE TO BE COVERED WITH TUBING 8041-02-000.
2. ALL 110V WIRE TO BE CLAMPED WITH CLAMP 10497-05-000 WITHIN 200 OF OUTLET BOXES, USE SCREW G67-10-12B.
1. ALL WIRES TO BE SECURED WITH CLAMP 10495-01-000 OR CLIP 80734-01-000 EVERY 600MM, USE SCREW G67-10-12B UNLESS OTHERWISE SPECIFIED.

NOTES:

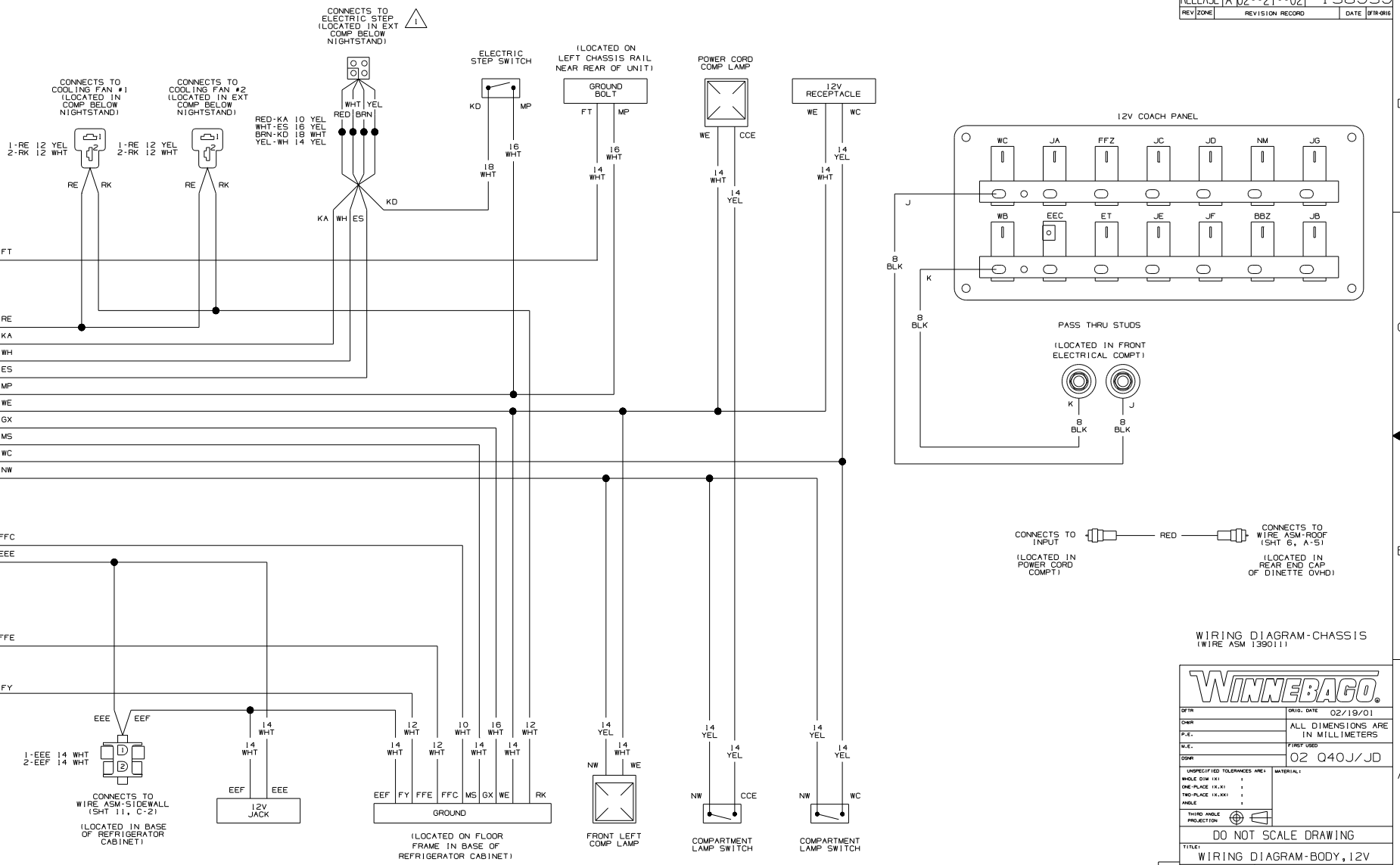
DETAIL FA

265 CODES/STANDARDS-CSA/CMVSS
1B1 CODES/STANDARDS USA
1B1 265

FOR ELECTRICAL TORQUE SPECIFICATIONS SEE DWG NO. 128793-01-000

FOR ELECTRICAL CALLOUTS SEE DWG NO. 121339-01-000

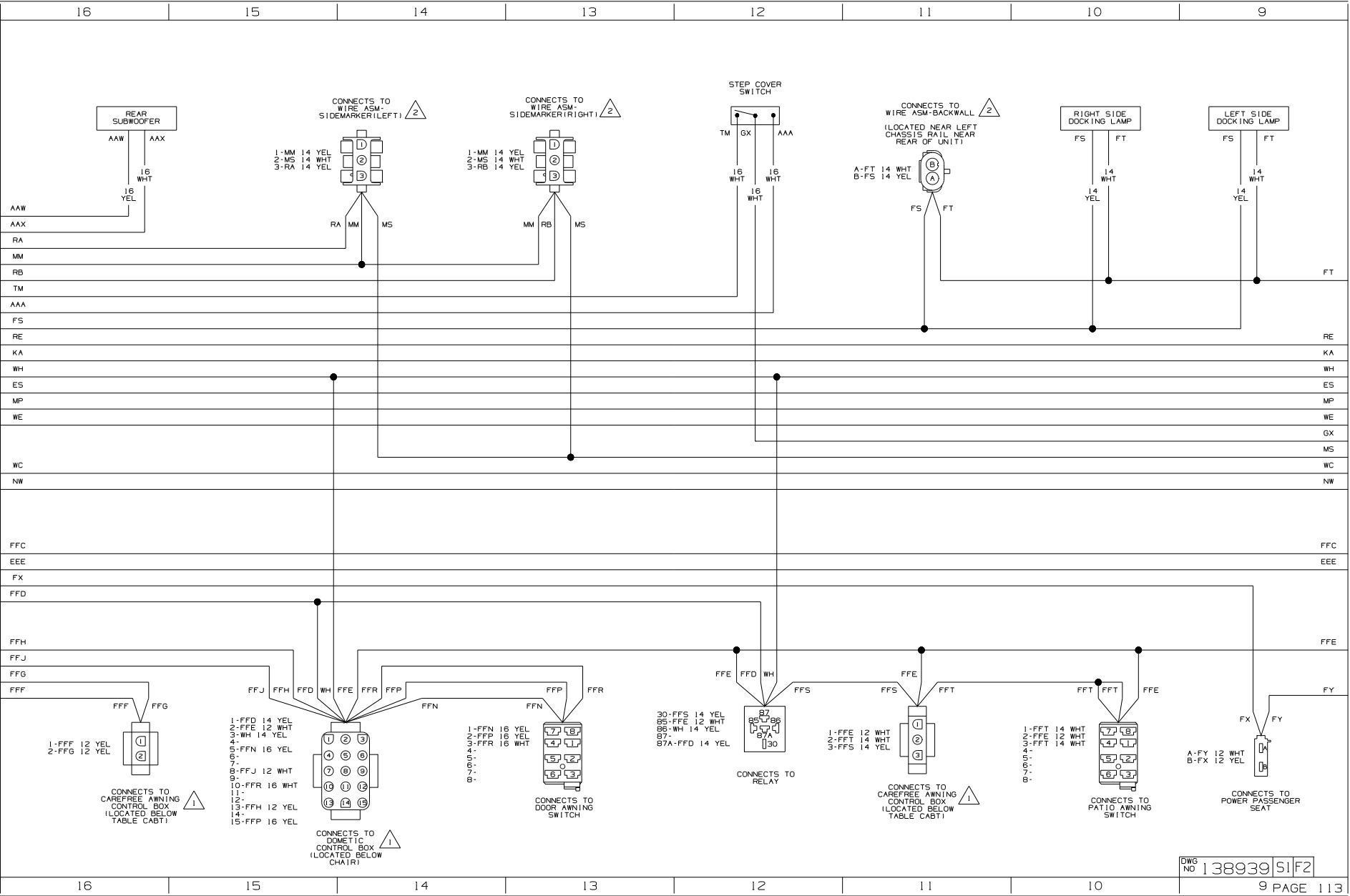
FIRST USED		02 Q40E	
DO NOT SCALE DRAWING			
TITLE: WIRING INSTL-BODY 110 V			
SHEET 6	PART NO		140203



WIRING DIAGRAM-CHASSIS (WIRE ASM 139011)

WINNEBAGO

DATE	DATE DATE	02/19/01
DRW	ALL DIMENSIONS ARE IN MILLIMETERS	
P.E.	FIRST USED	
M.E.	02 040J/JD	
UNSP	UNSPECIFIED TOLERANCES ARE:	MATERIAL:
DRW	INOLE DIM 100	
	ONE-PLACE 18.00	
	TWO-PLACE 18.00	
	THIRD ANGLE PROJECTION	
DO NOT SCALE DRAWING		
TITLE: WIRING DIAGRAM-BODY, 12V		
F1	SHEET 1 of 13	PART NO 138939



CONNECTS TO BEDROOM GENERATOR SWITCH

- 1-LM 16 WHT
- 2-LN 16 WHT
- 3-LL 16 WHT
- 4-
- 5-
- 6-
- 7-MP 16 WHT
- 8-HU 16 YEL



HU LL LM LN MP

CONNECTS TO ELECTRIC STEP SWITCH

- 1-ER 16 YEL
- 2-ES 16 YEL
- 3-
- 4-
- 5-
- 6-
- 7-
- 8-



ER ES

CONNECTS TO WIRE ASM-AMPLIFIER (SHT 13, D-7)

(LOCATED BELOW REFRIGERATOR)

- 1-RRRT POS IN 16 YEL
- 2-RRRT NEG IN 16 WHT
- 3-RRLT POS IN 16 YEL
- 4-RRLT NEG IN 16 WHT



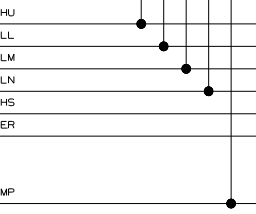
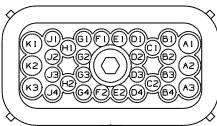
RRRT + RRRT - RRLT +

- A1-AAX 16 WHT
- A2-MK 14 YEL
- A3-FS 14 YEL
- B1-FTLT POS IN 16 YEL
- B2-FTLT NEG IN 16 YEL
- B3-FTRT POS IN 16 YEL
- B4-FTRT NEG IN 16 WHT
- C1-
- C2-TM 16 WHT
- D1-LL 16 WHT
- D2-LM 16 WHT
- D3-LN 16 WHT
- D4-HU 16 YEL
- E1-MM 14 YEL
- E2-HS 16 YEL

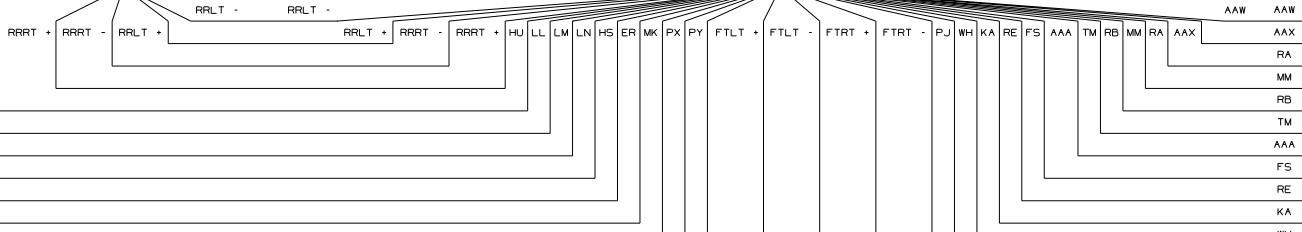
- F1-RA 14 YEL
- F2-RB 14 YEL
- G1-RRRT POS IN 16 YEL
- G2-RRRT NEG IN 16 WHT
- G3-RRLT POS IN 16 YEL
- G4-RRLT NEG IN 16 WHT
- H1-AAA 16 WHT
- H2-PJ 16 WHT
- J1-PX 16 WHT
- J2-WH 14 YEL
- J3-ER 16 YEL
- J4-PY 16 WHT
- K1-RE 12 YEL
- K2-KA 10 YEL
- K3-AAW 16 YEL

CONNECTS TO WIRE ASM-IP MAIN

(LOCATED ON FLOOR LEFT OF DRIVER)



HU
LL
LM
LN
HS
ER
MP



HA
WC
FFB
EEE
FX
FFD
EEA
DDZ
DDU
DDT
DDV
DDW

HA
WC

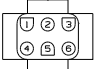
FFB
EEE
FX
FFD
EEA
DDZ
DDU
DDT
DDV
DDW

DDW
DDV
DDT
DDU
WE
NW

DDW
DDV
DDT
DDU
WE
NW

DDW
DDV
DDT
DDU
WE
NW

- 1-NW 14 YEL
- 2-WE 14 WHT
- 3-DDT 12 YEL
- 4-DDU 12 WHT
- 5-DDV 12 YEL
- 6-DDW 12 WHT



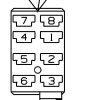
CONNECTS TO WIRE ASM-COACH (SHT 2, D-17) (LOCATED IN BASE OF REFRIGERATOR CABINET)

- 1-FFB 10 YEL
- 2-FFC 10 WHT



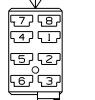
CONNECTS TO WIRE ASM-COACH (LOCATED IN BASE OF REFRIGERATOR CABINET)

- 1-DDZ 16 YEL
- 2-MK 14 YEL
- 3-EEA 16 WHT
- 4-
- 5-
- 6-
- 7-
- 8-



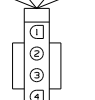
CONNECTS TO POWER COMP DOOR LOCK SWITCH

- 1-PX 16 WHT
- 2-MK 14 YEL
- 3-PY 16 WHT
- 4-
- 5-
- 6-
- 7-
- 8-



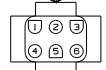
CONNECTS TO POWER DOOR LOCK SWITCH

- 1-FTLT POS IN 16 YEL
- 2-FTLT NEG IN 16 WHT
- 3-FTRT POS IN 16 YEL
- 4-FTRT NEG IN 16 WHT

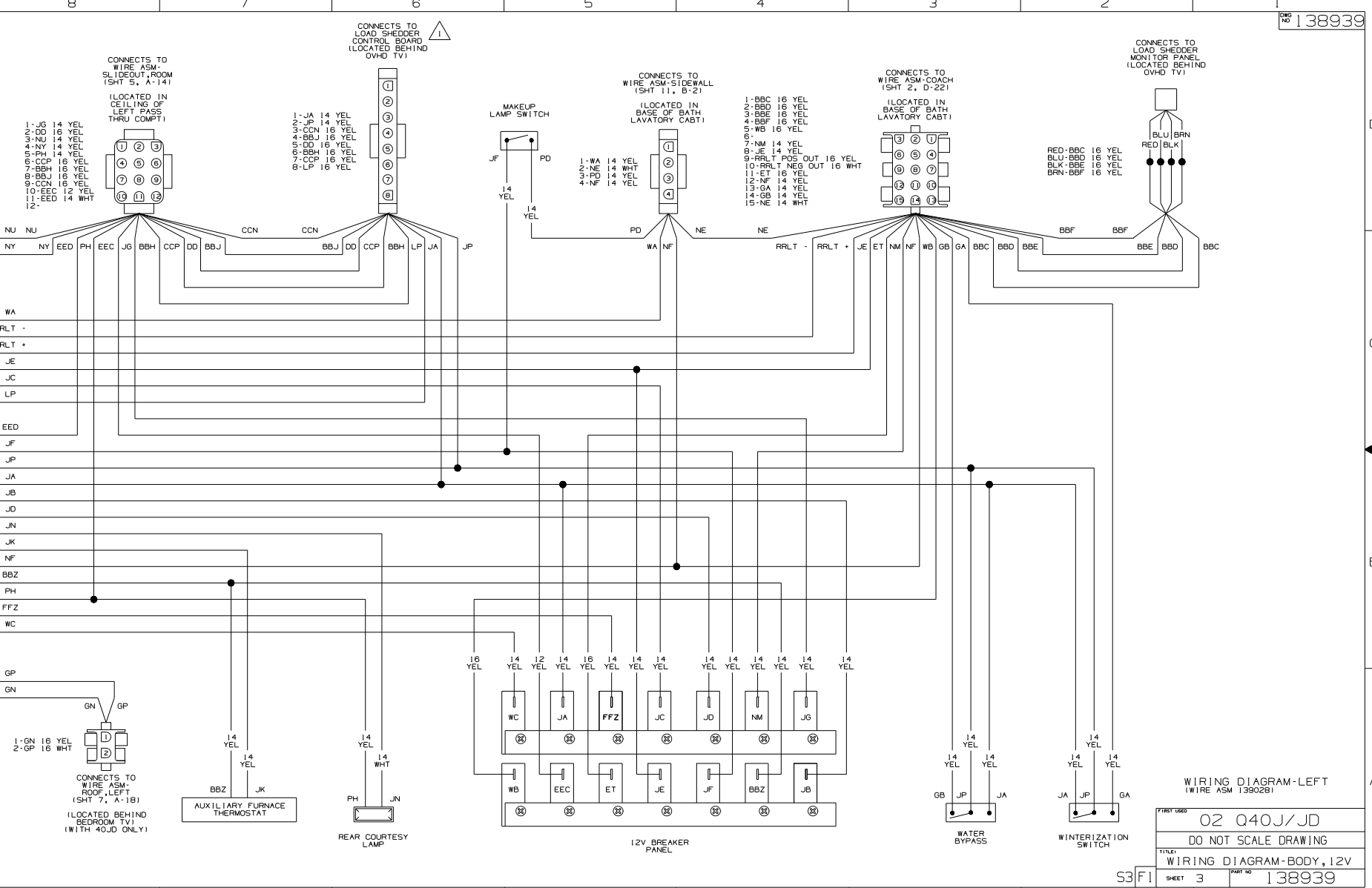


CONNECTS TO WIRE ASM-SLIDEOUT ROOM (SHT 5, B-11) (LOCATED NEAR SUBWOOFER)

- 1-PJ 16 WHT
- 2-HA 14 YEL
- 3-FFJ 12 YEL
- 4-FFG 12 YEL
- 5-FFH 12 YEL
- 6-FFJ 12 WHT

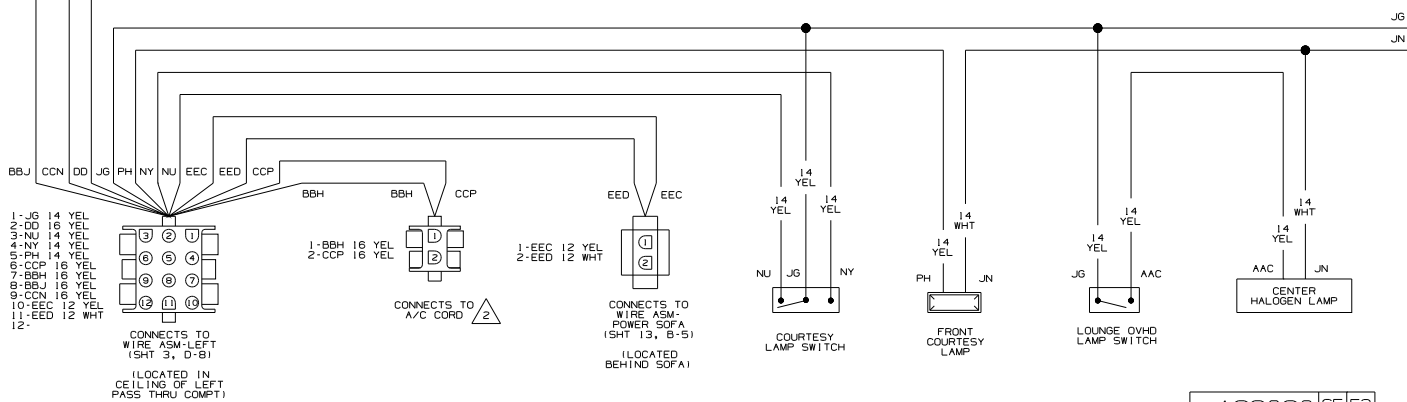
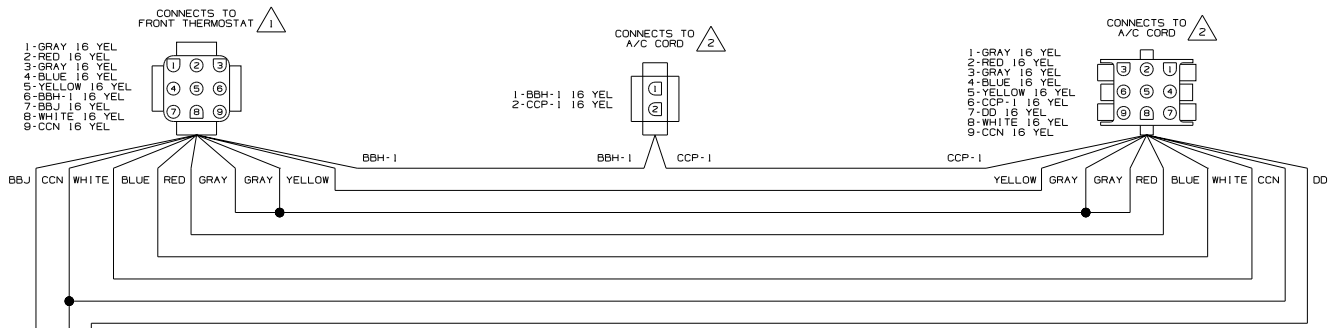


CONNECTS TO WIRE ASM-SIDEWALL, RIGHT (SHT 9, A-6) (LOCATED IN BASE OF REFRIGERATOR CABINET)



WIRING DIAGRAM-LEFT (WIRE ASM 139028)

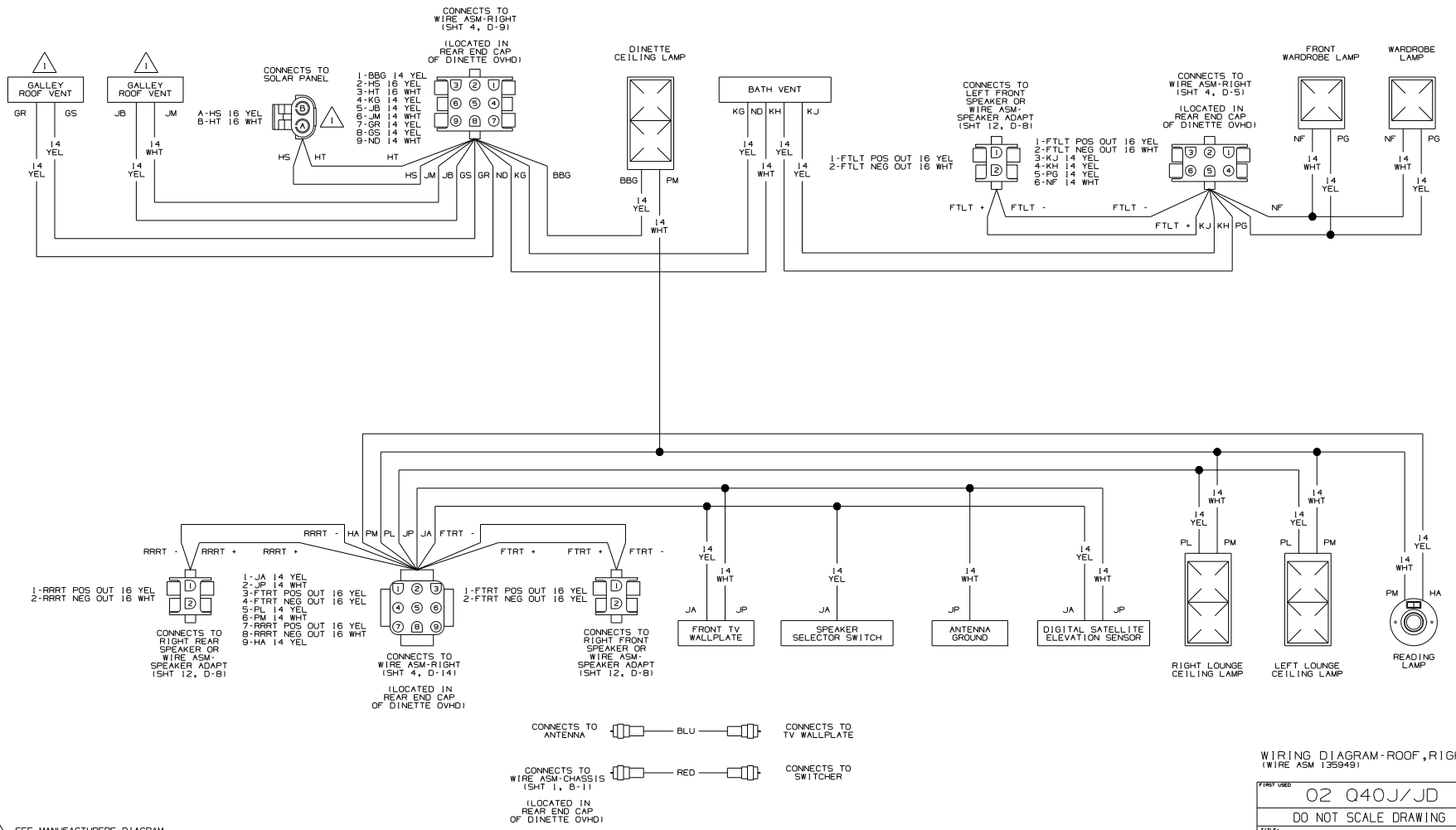
FIRST USED	02 Q40J/JD
TITLE	DO NOT SCALE DRAWING
WIRING DIAGRAM-BODY, 12V	
SHEET 3	PART NO 138939



2 SEE WIRING DIAGRAM-AC/HEAT/EMS FOR ADDITIONAL INFORMATION.

1 SEE MANUFACTURERS DIAGRAM FOR ADDITIONAL INFORMATION.

NOTES: (LOCATED IN CEILING OF LEFT PASS THRU COMPT.)

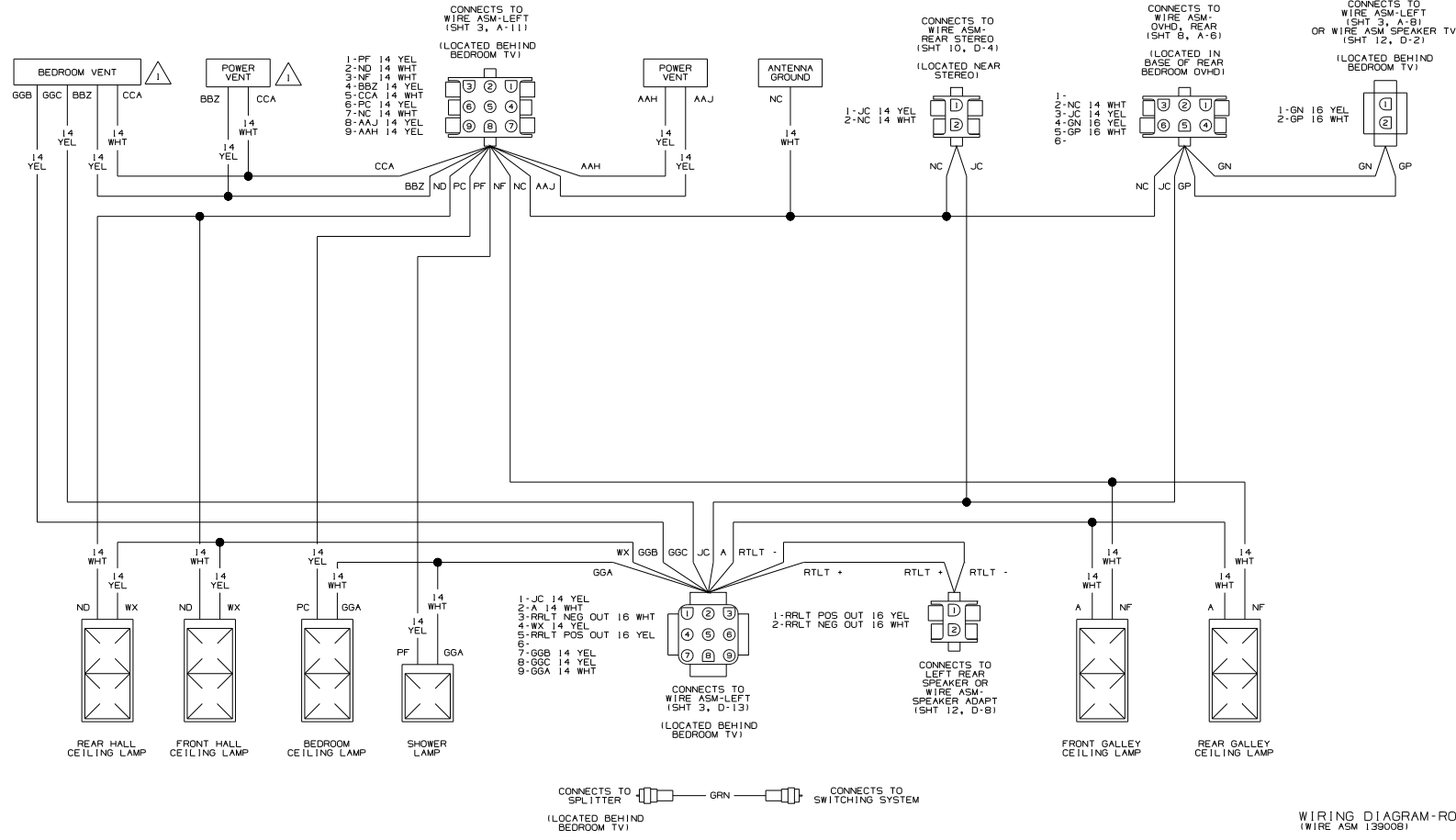


NOTES:
 1 SEE MANUFACTURERS DIAGRAM FOR ADDITIONAL INFORMATION.

WIRING DIAGRAM-ROOF, RIGHT
 (WIRE ASM 135949)

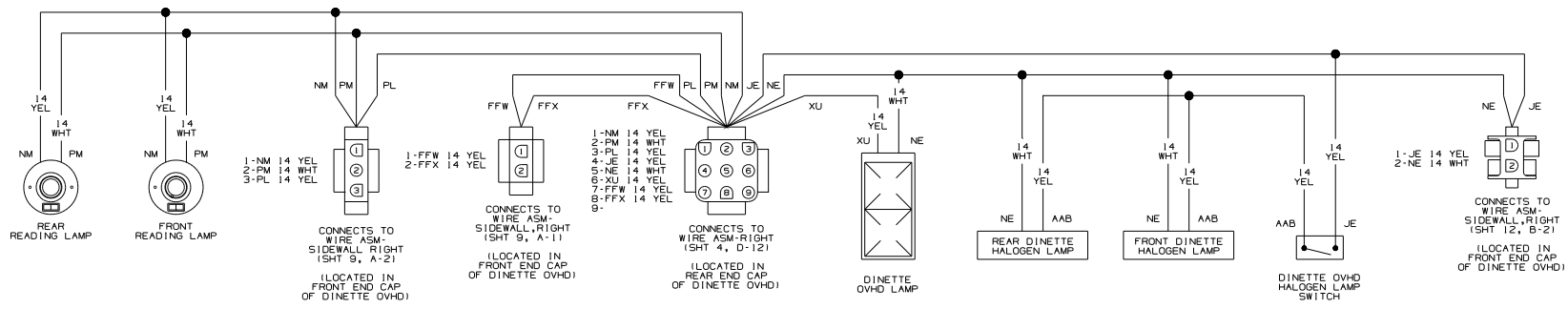
FIRST USED	02 040J/JD
TITLE:	DO NOT SCALE DRAWING
SHEET	6
PART NO	138939

1 PAGE 125

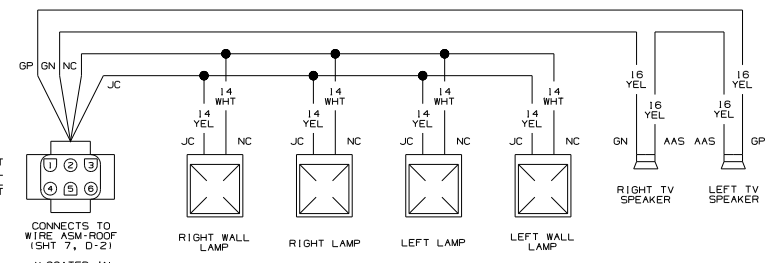


1 SEE MANUFACTURERS DIAGRAM FOR ADDITIONAL INFORMATION.

FIRST USED		02 040J/JD	
DO NOT SCALE DRAWING			
TITLE: WIRING DIAGRAM-BODY, 12V			
SHEET	7	PART NO	138939

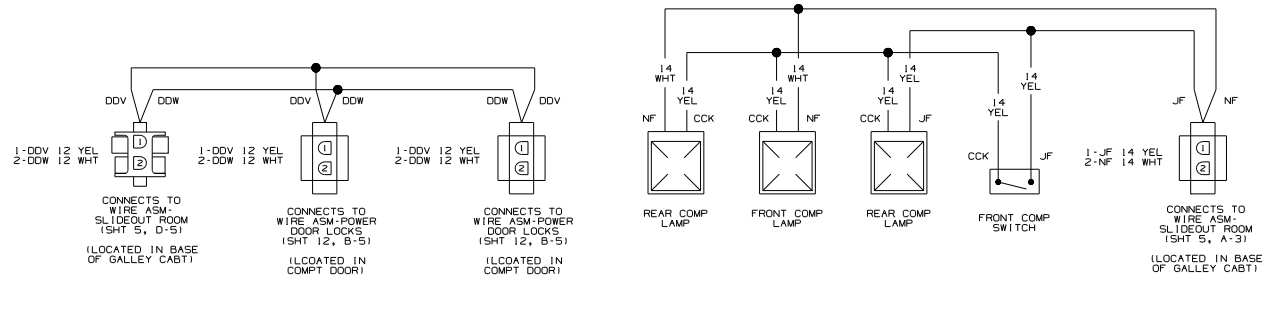


WIRING DIAGRAM-OVHD, RIGHT
(WIRE ASM 139037)

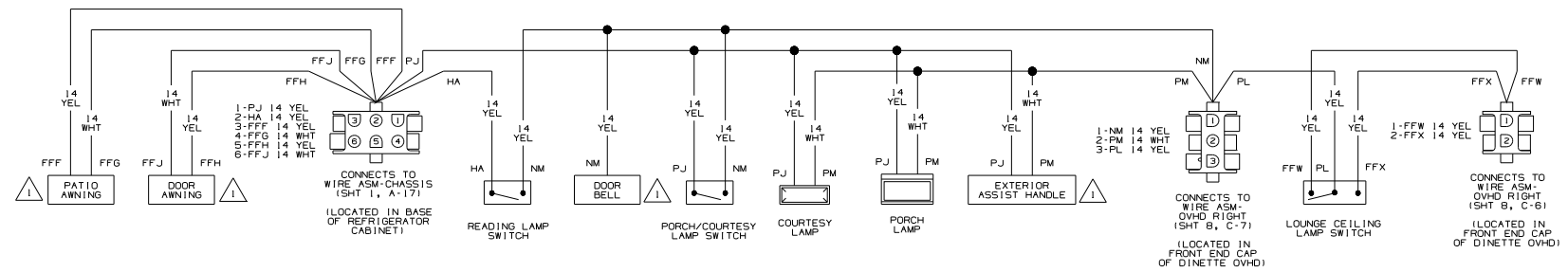


WIRING DIAGRAM-OVHD, REAR
(WIRE ASM 131219)

FIRST USED	02 040J/JD	
TITLE:	DO NOT SCALE DRAWING	
	WIRING DIAGRAM-BODY, 12V	
SHEET 8	PART NO	138939



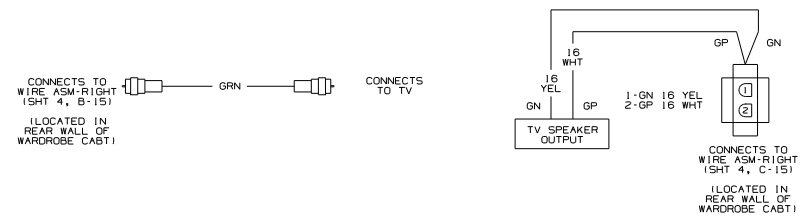
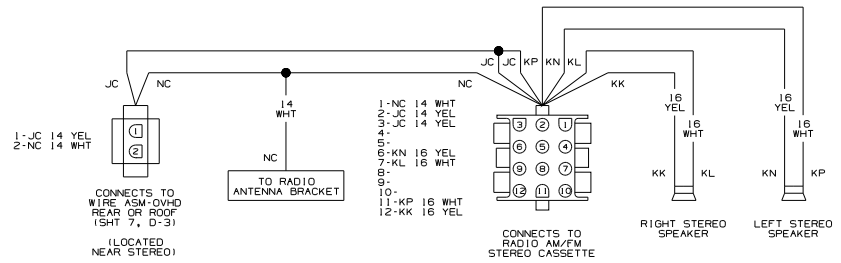
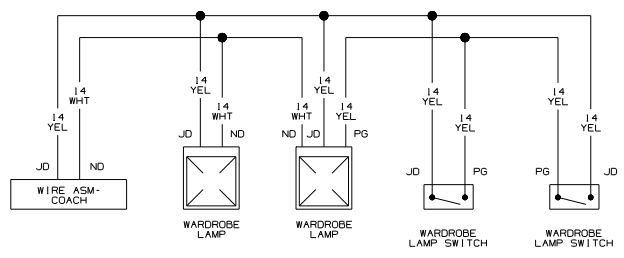
WIRING DIAGRAM-COMP,SLIDEOUT
(WIRE ASM 130244-02)



WIRING DIAGRAM-SIDEWALL,RIGHT
(WIRE ASM 139043)

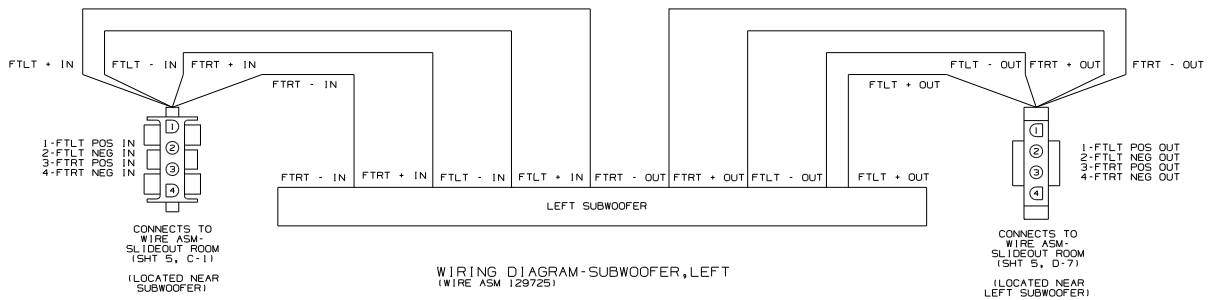
1 SEE MANUFACTURERS DIAGRAM FOR ADDITIONAL INFORMATION.

FIRST USED	02 040J/JD
TITLE:	DO NOT SCALE DRAWING
WIRING DIAGRAM-BODY,12V	
SHEET 9	PART NO 138939

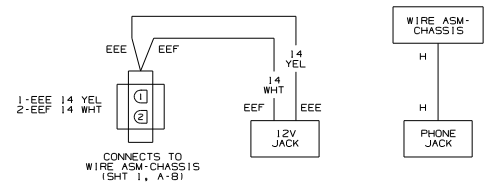


WIRING DIAGRAM-SLIDEOUT, REAR
(WIRE ASM 139087)
Q40JD ONLY

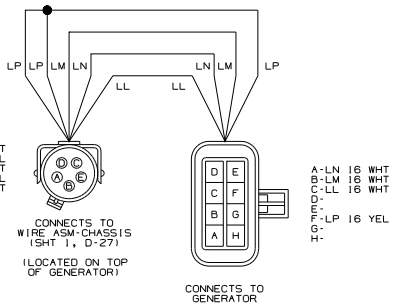
FIRST USED	02 Q40J/JD
DO NOT SCALE DRAWING	
TITLE: WIRING DIAGRAM-BODY, 12V	
SHEET 10	PART NO 138939



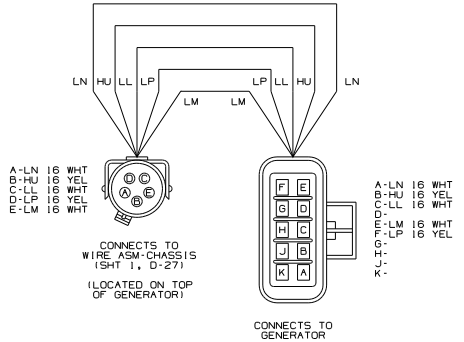
WIRING DIAGRAM-SUBWOOFER, LEFT
(WIRE ASM 129725)



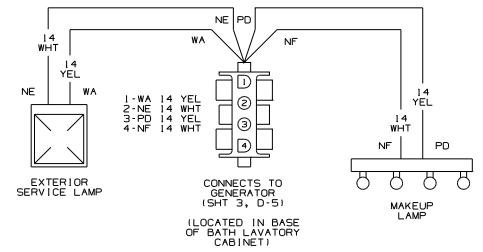
WIRING DIAGRAM-SIDEWALL
(WIRE ASM 139057)



WIRING DIAGRAM-GEN, ADAPTER, LP
(WIRE ASM 130332-01)

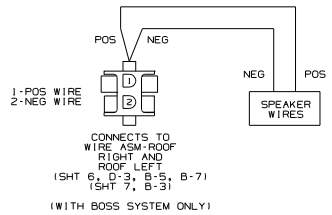


WIRING DIAGRAM-GEN, ADAPTER, LP
(WIRE ASM 130332-02)

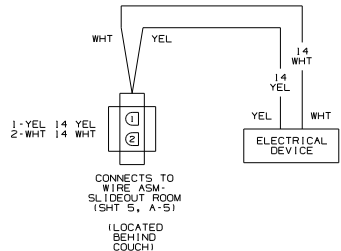


WIRING DIAGRAM-SIDEWALL
(WIRE ASM 130104)

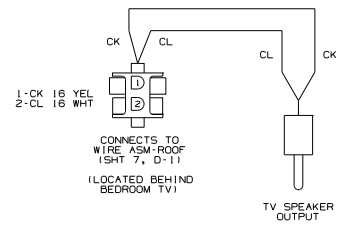
FIRST USED	02 040J/JD	
TITLE:	DO NOT SCALE DRAWING	
	WIRING DIAGRAM-BODY, 12V	
SHEET	11	PART NO 138939



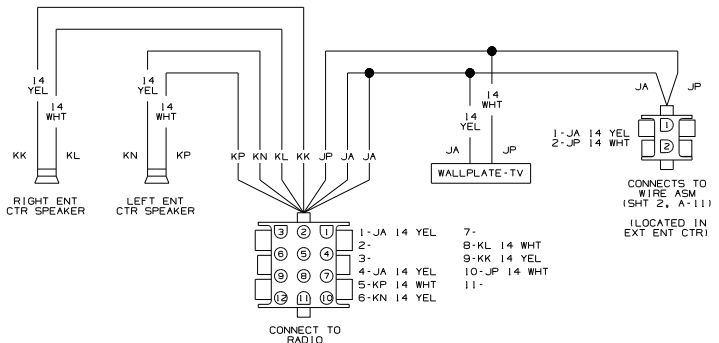
WIRING DIAGRAM-SPEAKER, ADAPTER
(WIRE ASM 124843-01)



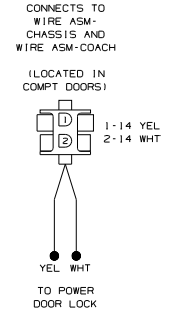
WIRING DIAGRAM-EXTENSION, 2 PIN
(WIRE ASM 135972-01)



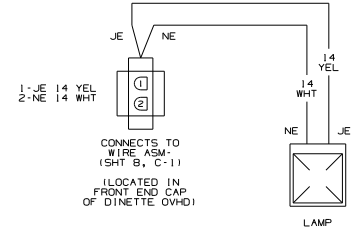
WIRING DIAGRAM-SPEAKER, TV
(WIRE ASM 104271-03)



WIRING DIAGRAM-ENTERTAINMENT CENTER
(WIRE ASM 125853-04)

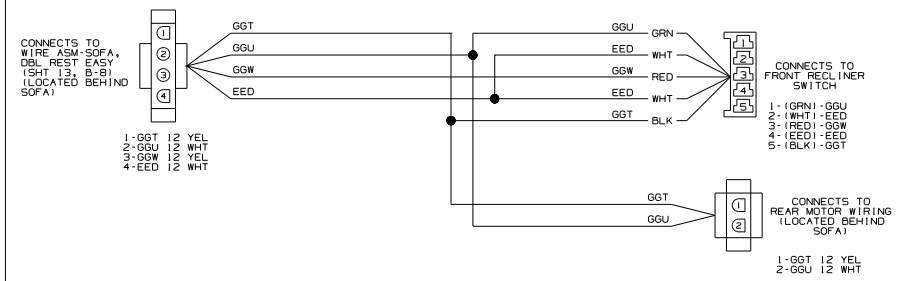
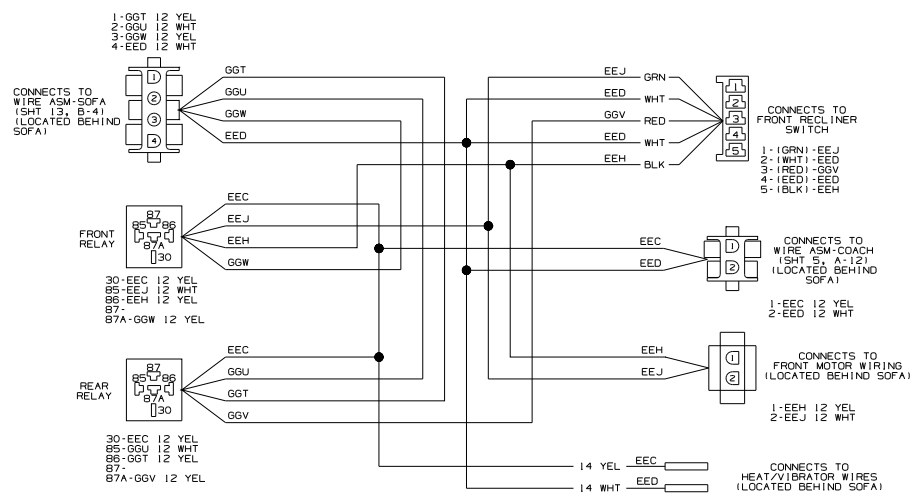
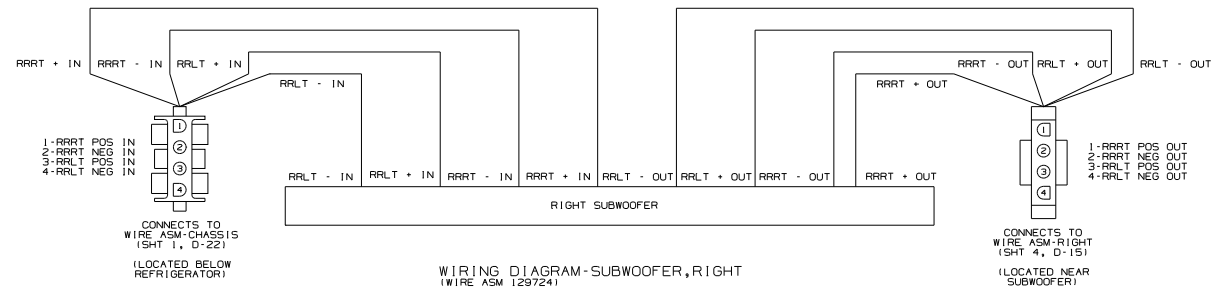


WIRING DIAGRAM-LOCK, COMPT DOORS
(WIRE ASM 135834-02)



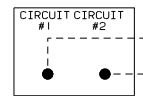
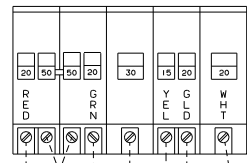
WIRING DIAGRAM-PORCH LIGHT
(WIRE ASM 93051-10)

FIRST USED	02 040J/JD
DO NOT SCALE DRAWING	
TITLE:	WIRING DIAGRAM-BODY, 12V
SHEET 12	PART NO 138939

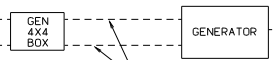
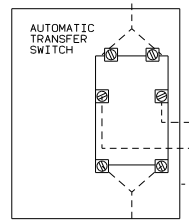


FIRST USED	02 040J/JD	
TITLE	DO NOT SCALE DRAWING	
	WIRING DIAGRAM-BODY,12V	
SHEET 13	PART NO	138939

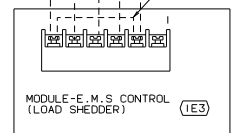
LOAD CENTER



CENTRAL AIR UNIT (LOCATED IN RIGHT REAR COMPARTMENT BELOW FLOOR)

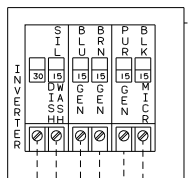


WIRE SUPPLIED WITH GENERATOR
 8 GRN
 GROUND



CURRENT SENSING LOOP (NEUTRAL WIRE PASSES THRU THE CENTER)

INVERTER BREAKER PANEL



DISHWASHER RECP

- ② WITH (21K) ONLY.
- ③ THIS CIRCUIT IS ONLY ON THE 40JD.
- ④ WIRE ROUTED THROUGH FLOOR.
- ⑤ WITH THE 40JD, THIS IS A RECP-BLANK.
- ⑥ WIRE ROUTED IN ROOF.
- ⑦ WIRE ROUTED IN SIDEWALL.
- ⑧ ALL OUTLETS DOWN STREAM AND INCLUDING THIS OUTLET ARE GROUND FAULT INTERRUPT PROTECTED.

NOTES:

SWITCH-WATER HEATER (LOCATED IN OVHD CABT ABOVE REAR DINETTE SEAT)



RECP-WASHER/DRYER (54E)

RECP-REFRIGERATOR

RECP-VACUUM (22T)

MICROWAVE RECP

RECP-GALLEY SIDEWALL

RECP-GALLEY GFI

RECP-GALLEY SIDEWALL

RECP-BDRM, RH, FRT

RECP-BEDROOM TV

RECP-FRONT TV

RECP-BLANK LINE (LOCATED BEHIND LOAD CENTER)

ENGINE HEATER SWITCH

RECP-ENGINE HEATER

RECP-BDRM, LH

RECP-BDRM, RH

RECP-SIDEWALL

RECP-LOUNGE SIDEWALL, RIGHT

RECP-BATH GFI

RECP-BATH (LEFT SIDEWALL)

RECP-BATH (RIGHT SIDE)

RECP-DINETTE

RECP-FREEZER (11E)

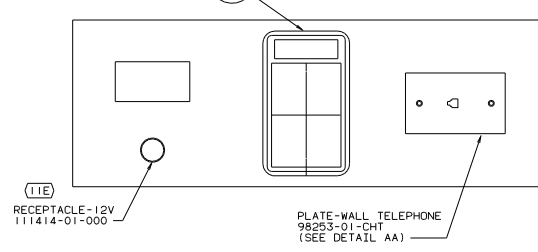
RECP-EXTERIOR

RECP-ENT CTR, EXT

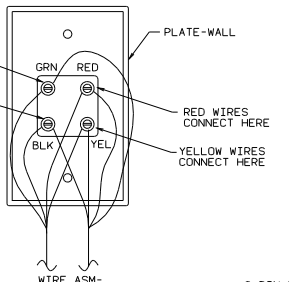
- (22T) VACUUM SYSTEM-CENTRAL
- (21N) DISHWASHER/BUILT-IN
- (21K) DINING/COMPUTER TABLE/CHAIRS
- (11E) REFRIGERATOR/FREEZER PORTABLE
- (78J) ELECTRICAL SYSTEM-50 AMP
- (1E3) ENERGY MANAGEMENT SYSTEM
- (54E) WASHER/DRYER
- (1B1) CODES/STANDARDS USA

WINNERCO 02 040J/JD

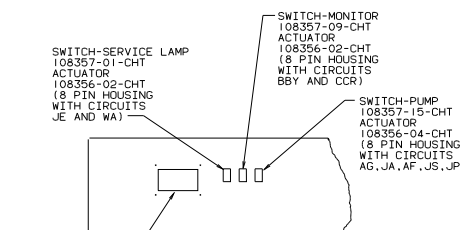
DATE	UNSPECIFIED TOLERANCES ARE:	MATERIAL
DATE	MADE TO DIM.	
DATE	ONE-PLACE (1X, 1X)	
DATE	TWO-PLACE (2X, 2X)	
DATE	THREE-PLACE (3X, 3X)	
DATE	THREE-PLACE (3X, 3X)	



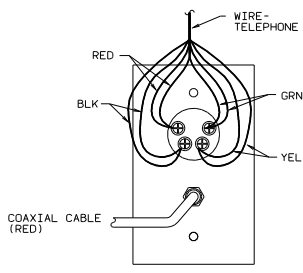
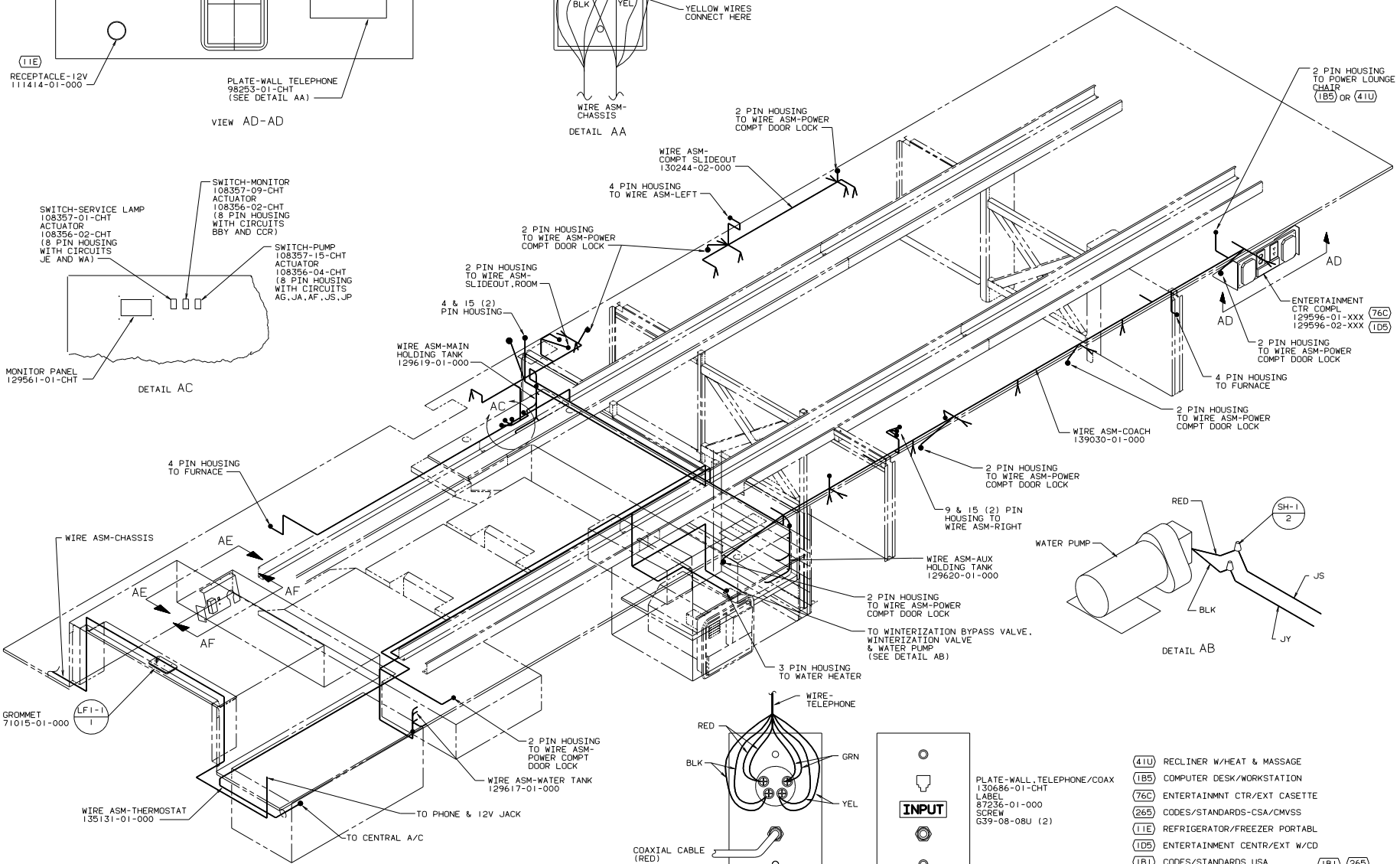
RECEPTACLE-12V
111414-01-000
PLATE-WALL TELEPHONE
98253-01-CHT
(SEE DETAIL AA)
VIEW AD-AD



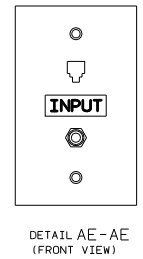
DETAIL AA
WIRE ASM-CHASSIS



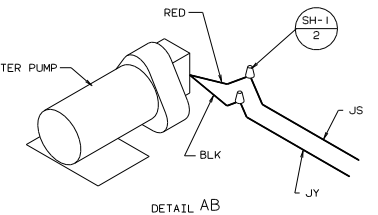
MONITOR PANEL
129561-01-CHT
DETAIL AC



DETAIL AF-AF (REAR VIEW)



DETAIL AE-AE (FRONT VIEW)



DETAIL AB

4. SEE WIRING DIAGRAM-BODY FOR ADDITIONAL INFORMATION.
 3. ALL GROUND WIRES ARE TO BE COVERED WITH TUBING 8041-02-000.
 2. ALL WIRES ARE TO BE CLAMPED WITH CLAMP 10497-05-000 WITHIN 200 OF OUTLET BOXES AND SPLICES USE SCREW G67-10-12B OR G39-10-12B.
 1. ALL WIRE TO BE CLAMPED WITH CLAMP 10495-01-000 OR CLIP 80734-02-000 EVERY 600. USE SCREW G67-10-12B UNLESS OTHERWISE SPECIFIED.
- NOTES:

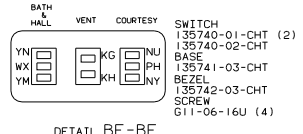
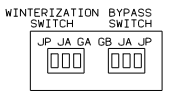
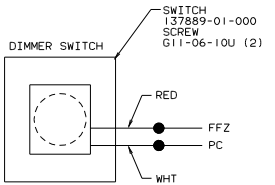
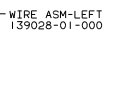
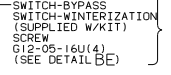
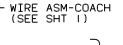
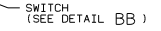
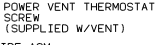
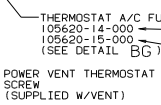
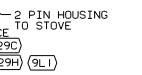
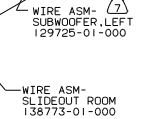
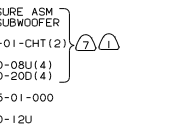
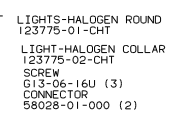
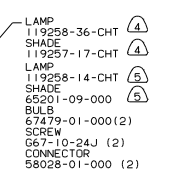
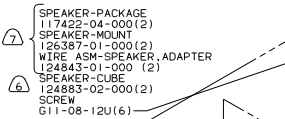
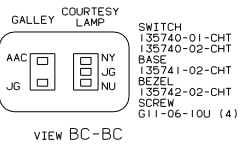
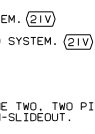
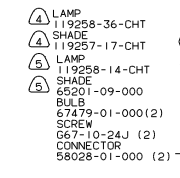
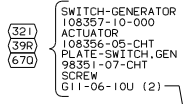
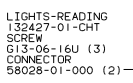
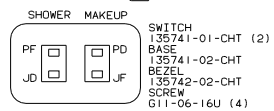
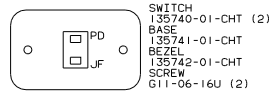
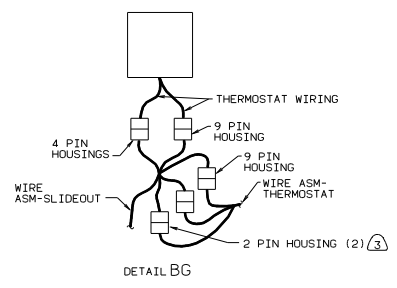
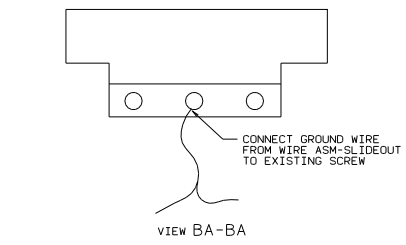
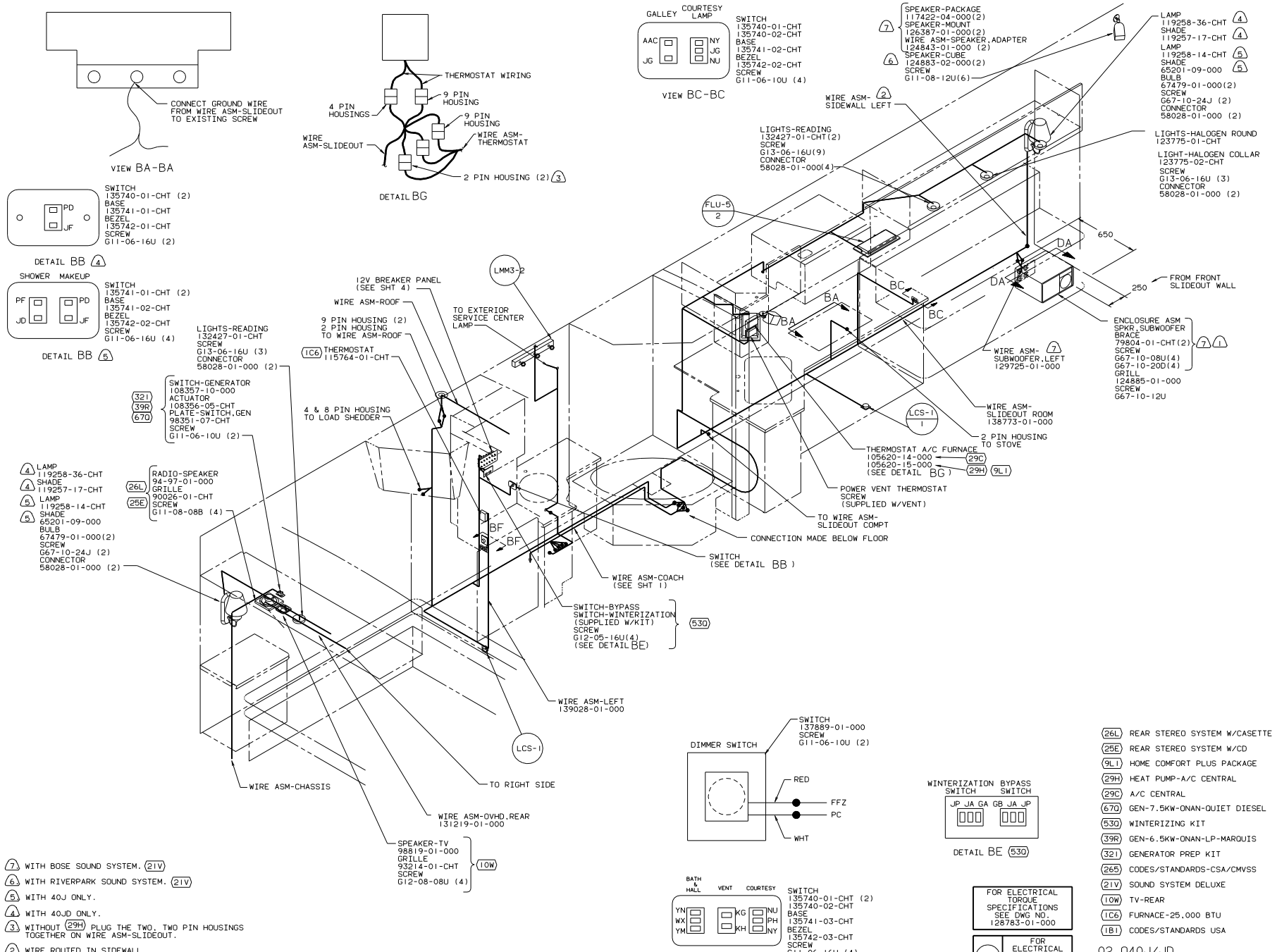
- (41U) RECLINER W/HEAT & MESSAGE
- (1B5) COMPUTER DESK/WORKSTATION
- (76C) ENTERTAINMNT CTR/EXT CASSETTE
- (265) CODES/STANDARDS-CSA/CMVSS
- (11E) REFRIGERATOR/FREEZER PORTABL
- (1D5) ENTERTAINMENT CENTR/EXT W/CD
- (1B1) CODES/STANDARDS USA (1B1) (265)

FOR ELECTRICAL TORQUE SPECIFICATIONS SEE DWG NO. 128783-01-000

FOR ELECTRICAL CALLOUTS SEE DWG NO. 121339-01-000

WINNERCO 02 040J			
DATE	UNDESIGNED TOLERANCE ARE.	MATERIAL	
DATE	DATE	ONE-PLATE (14,11)	
DATE	DATE	TWO-PLATE (14,10)	
DATE	DATE	THIRD PLATE	
DATE	DATE	INDUSTRIAL	

LAYER NO.	TITLE:	DATE	BY
1	WIRING INSTL-BODY, 12V (BF)		
2	WIRING INSTL-BODY, 12V (BF)		



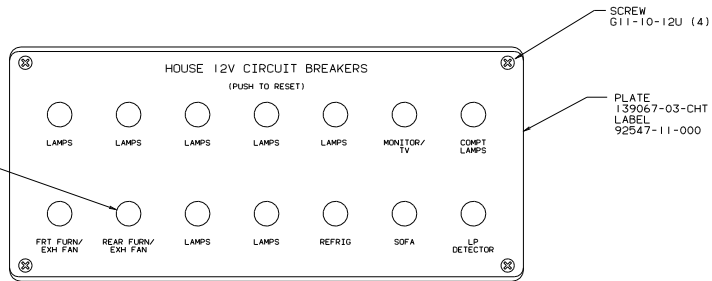
FOR ELECTRICAL TORQUE SPECIFICATIONS SEE DWG NO. 128783-01-000

FOR ELECTRICAL CALLOUTS SEE DWG NO. 121339-01-000

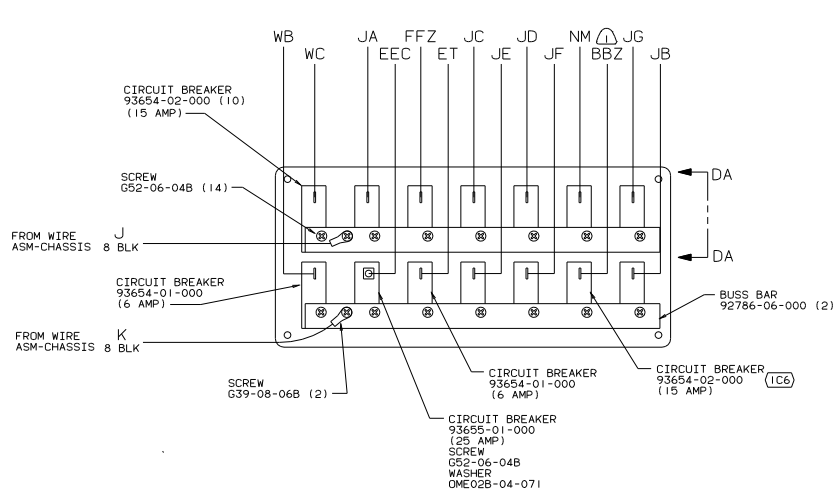
- (26L) REAR STEREO SYSTEM W/CASSETTE
- (25E) REAR STEREO SYSTEM W/CD
- (9L1) HOME COMFORT PLUS PACKAGE
- (29H) HEAT PUMP-A/C CENTRAL
- (29C) A/C CENTRAL
- (670) GEN-7.5KW-ONAN-QUIET DIESEL
- (530) WINTERIZATION KIT
- (39R) GEN-6.5KW-ONAN-LP-MARQUIS
- (321) GENERATOR PREP KIT
- (26S) CODES/STANDARDS-CSA/CMVSS
- (21V) SOUND SYSTEM DELUXE
- (10W) TV-REAR
- (1C6) FURNACE-25.000 BTU
- (1B1) CODES/STANDARDS USA

NOTES:

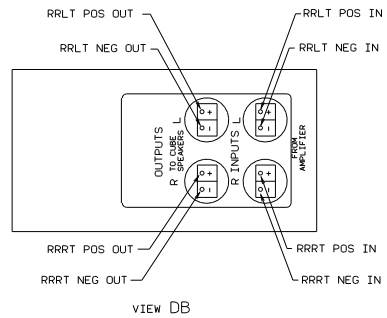
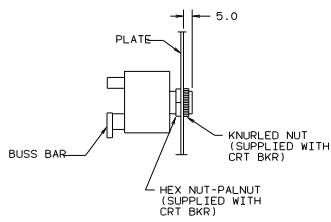
- (7) WITH BOSE SOUND SYSTEM. (21V)
- (6) WITH RIVERPARK SOUND SYSTEM. (21V)
- (5) WITH 40J ONLY.
- (4) WITH 40J ONLY.
- (3) WITHOUT (29H) PLUG THE TWO 2 PIN HOUSINGS TOGETHER ON WIRE ASM-SLIDEOUT.
- (2) WIRE ROUTED IN SIDEWALL.
- (1) ATTACH BRACE TO SIDE OF SUBWOOFER AND SCREW DOWN TO FLOOR.



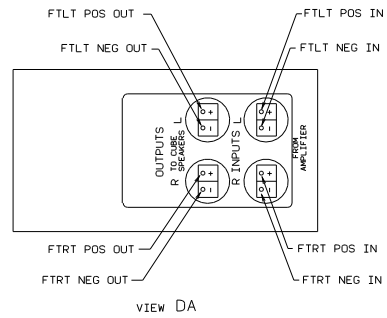
CIRCUIT BREAKER (FRONT VIEW)



CIRCUIT BREAKER (BACK VIEW)



REAR BOSE WOOFER



FRONT BOSE WOOFER

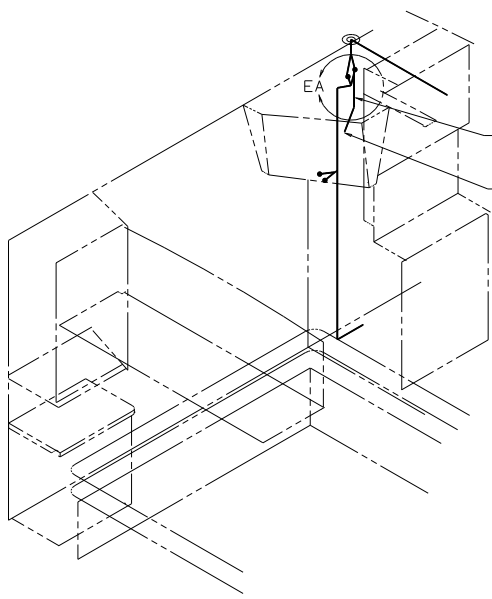
NOTES: TIE BACK TO MAIN WIRE ASM WITH (496).

FOR ELECTRICAL TORQUE SPECIFICATIONS SEE DWG NO 128783-01-000

- (496) FURNACE WITHOUT
- (265) CODES/STANDARDS-CSA/CMSS
- (IC6) FURNACE-25,000 BTU
- (IB1) CODES/STANDARDS USA

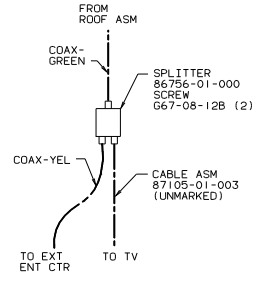
02 Q40J/JD (IB1)(265)

TITLE: WIRING INSTL-BODY 12V SHEET 4 OF 7



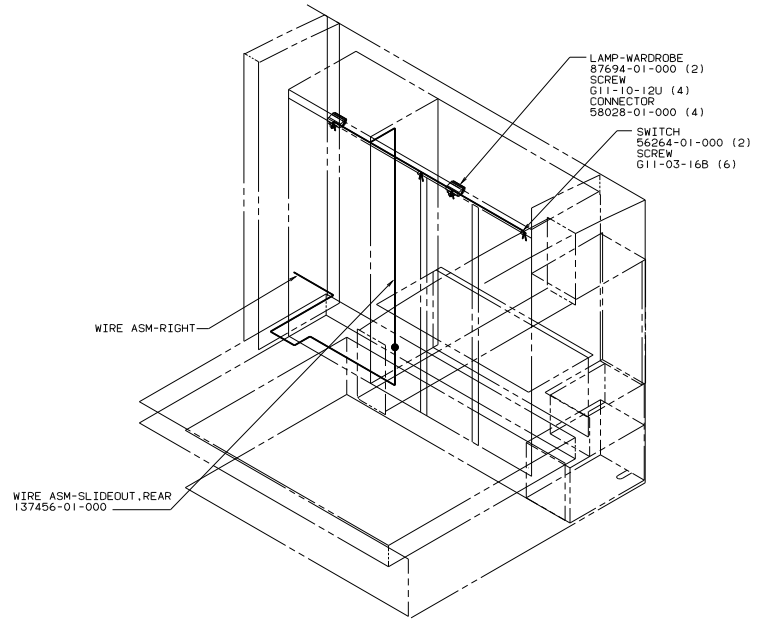
WIRE_ASM-SPEAKER_TV
104271-03-000

TO TV



DETAIL BH

Q40J

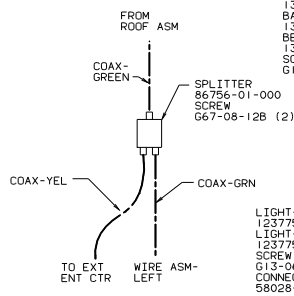
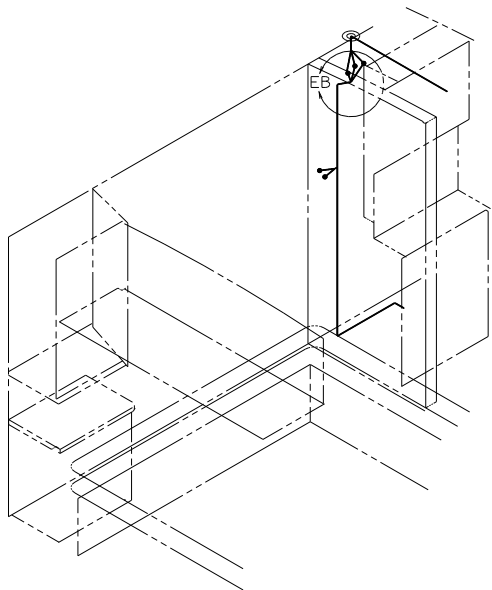


LAMP_WARDROBE
87694-01-000 (2)
SCREW
G11-10-12J (4)
CONNECTOR
58028-01-000 (4)

SWITCH
56264-01-000 (2)
SCREW
G11-03-16B (6)

WIRE_ASM-RIGHT

WIRE_ASM-SLIDEOUT_REAR
137456-01-000



DETAIL EB

Q40JD

SWITCH
135740-01-CHT
BASE
135741-01-CHT
BEZEL
135742-01-CHT
SCREW
G11-08-08U (2)

LIGHT-HALOGEN ROUND
123775-01-000
LIGHT-HALOGEN COLLAR
123775-02-000
SCREW
G13-06-16J (2)
CONNECTOR
58028-01-000 (2)

COAX(GRN)
TO TV

LAMP
119258-36-CHT
SHADE
119257-17-CHT
BULB
67479-01-000(2)
SCREW
G67-10-24J (2)
CONNECTOR
58028-01-000 (2)

WIRE_ASM-RIGHT

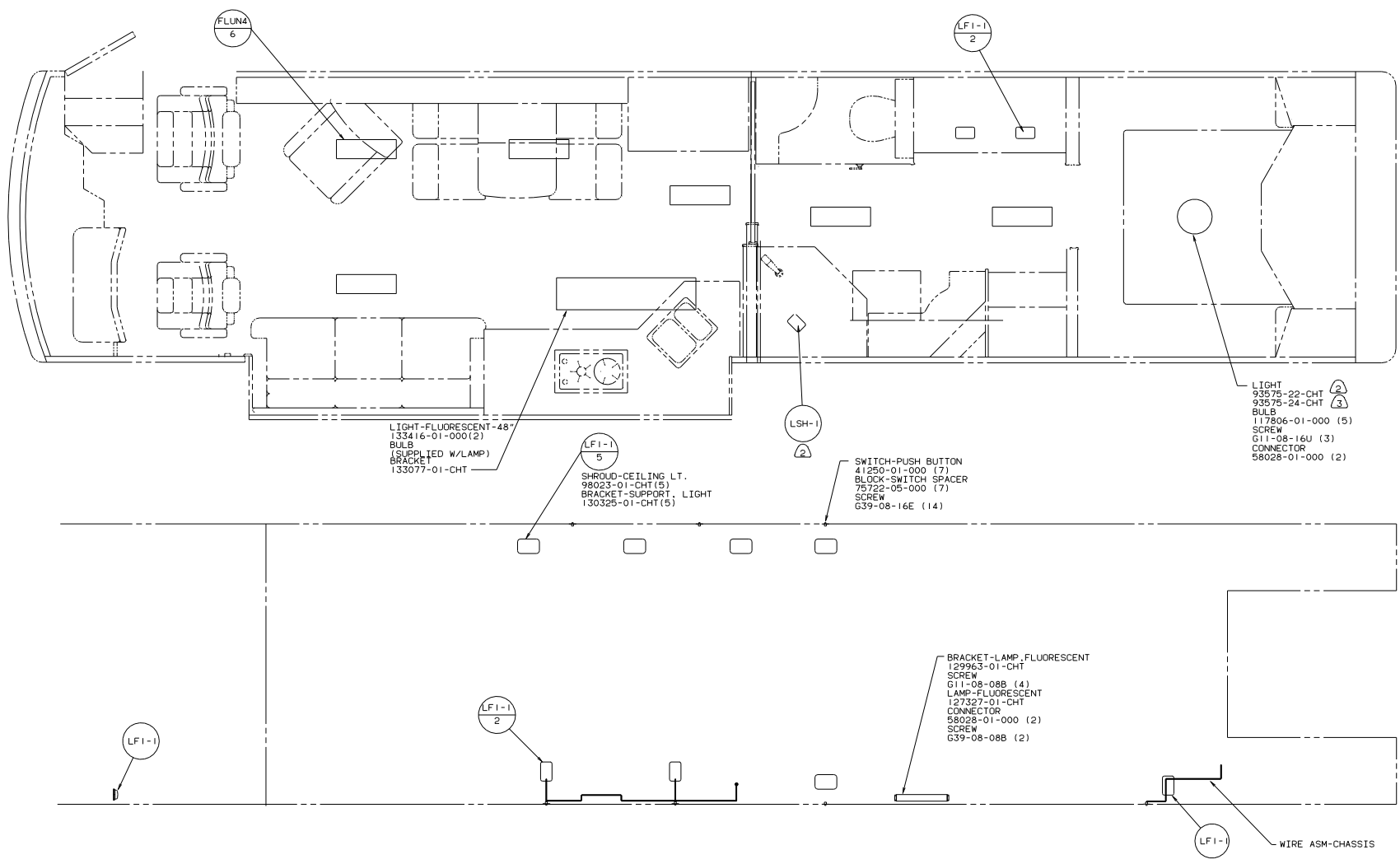
WIRE_ASM-SLIDEOUT_REAR
139087-01-000

NOTES:

FOR ELECTRICAL
TROUBLE
SPECIFICATIONS
SEE DWG NO.
128783-01-000

(265) CODES/STANDARDS-CSA/CMVSS
(1B1) CODES/STANDARDS USA
02 Q40J/JD (1B1)(265)

TITLE: WIRING INSTL-BODY_12V
DO NOT SCALE DIMENSIONS
SHEET 5 OF 7 I.F. NO. 138937



LIGHT-FLUORESCENT-48"
133416-01-000(2)
BULB
(SUPPLIED W/LAMP)
BRACKET
133077-01-CHT

SHROUD-CEILING LT.
98023-01-CHT(5)
BRACKET-SUPPORT, LIGHT
130325-01-CHT(5)

SWITCH-PUSH BUTTON
41250-01-000 (7)
BLOCK-SWITCH SPACER
75722-05-000 (7)
SCREW
G39-08-16E (14)

LIGHT
93575-22-CHT (2)
93575-24-CHT (3)
BULB
117806-01-000 (5)
SCREW
G11-08-16U (3)
CONNECTOR
58028-01-000 (2)

BRACKET-LAMP, FLUORESCENT
129963-01-CHT
SCREW
G11-08-08B (4)
LAMP-FLUORESCENT
127327-01-CHT
CONNECTOR
58028-01-000 (2)
SCREW
G39-08-08B (2)

WIRE ASM-CHASSIS

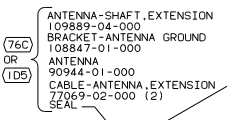
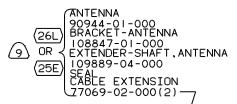
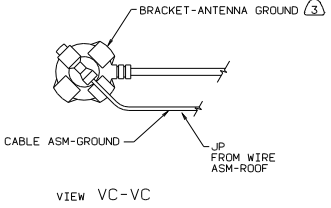
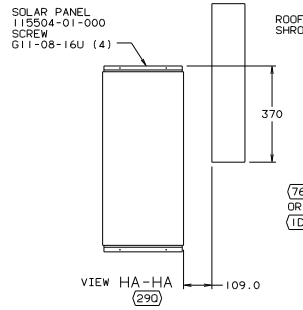
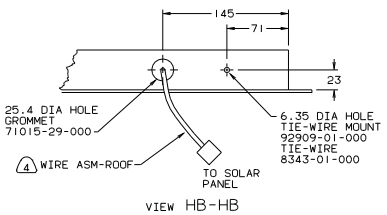
- NOTES:
- ③ WITH 40D ONLY.
 - ② WITH 40J ONLY.
 - ① WIRE ROUTED INSIDE OF COMPARTMENT.

FOR ELECTRICAL TORQUE SPECIFICATIONS SEE DWG NO. 128783-01-000	(X-X)	FOR ELECTRICAL CALLOUTS SEE DWG NO. 121339-01-000
----------------------------------------------------------------	-------	---------------------------------------------------

(265) CODES/STANDARDS-CSA/CMVSS
(181) CODES/STANDARDS USA

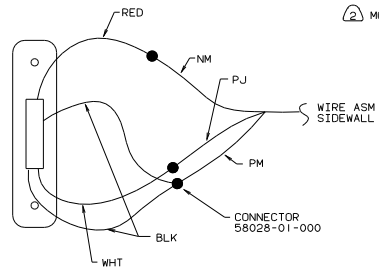
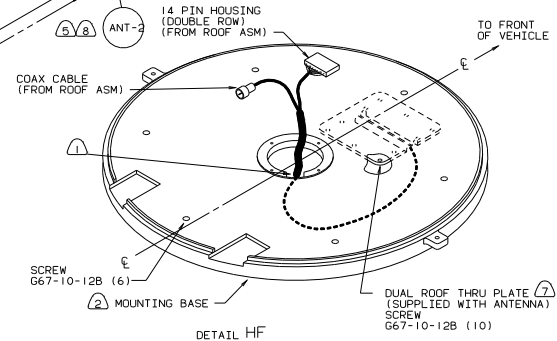
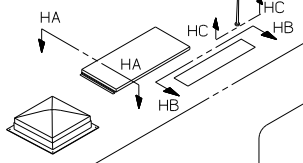
02 040J/JD (181)265

WIRING INSTL-BODY,12V(CL)
sheet 6 of 7 I No 138937



- 9 ONCE ROOF HAS BEEN DROPPED AND REAR CAP INSTALLED, LOCATE REAR ANTENNA HOLE AND DRILL 13 DIA HOLE UP THRU REAR CAP ON 40JD ONLY.
- 8 SEE DRAWING 76319-01-000 FOR INSTALLATION TELEVISION ANTENNA.
- 7 INSTALL DUAL ROOF THRU PLATE AND SEAL ALL HOLES, BEFORE INSTALLING MOUNTING BASE.
- 6 SEE MANUFACTURERS INSTALLATION INSTRUCTIONS FOR ADDITIONAN INFORMATION.
- 5 ADD RUBBER BUMPER TO ROOF UNDER EACH END OF ANTENNA WHEN IN DOWN POSITION WHICH MAY COME IN CONTACT WITH ROOF.
- 4 FASTEN TO VENT.
- 3 WRAP BRACKET LEGS AROUND ANTENNA BASE.
- 2 SEAL ALL MOUNTING HOLES.
- 1 REMOVE KNOCKOUT FOR WIRES.

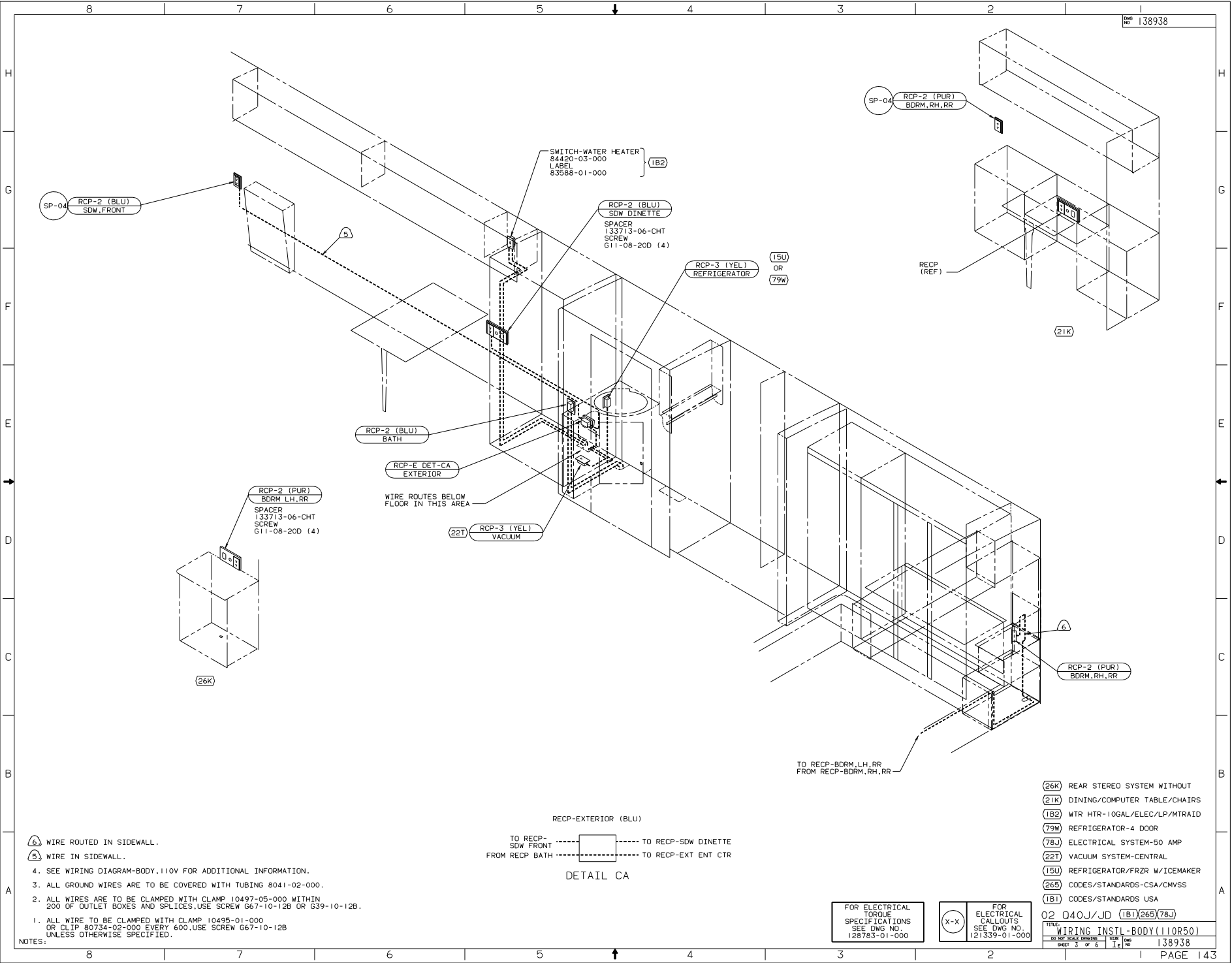
NOTES:



- (78K) SATELLITE DISH-AUTOMATIC
(76C) ENTERTAINMNT CTR/EXT CASSETTE
(480) SATELLITE DISH
(290) SOLAR PANEL-10 WATT
(265) CODES/STANDARDS-CSA/CMVSS
(26L) REAR STEREO SYSTEM W/CASSETTE
(25E) REAR STEREO SYSTEM W/CD
(1D5) ENTERTAINMENT CENTR/EXT W/CD
(1B1) CODES/STANDARDS USA

FOR ELECTRICAL TORQUE SPECIFICATIONS SEE DWG NO 128783-01-000

02 Q40J/JD (1B1)(265)
TITLE: WIRING INSTL-BODY_12V
DWG NO 138937
SHEET 7 OF 7 I E NO



SP-04 RCP-2 (BLU)
SDW, FRONT

SWITCH-WATER HEATER
84420-03-000
LABEL
83588-01-000 (1B2)

RCP-2 (BLU)
SDW DINETTE
SPACER
133713-06-CHT
SCREW
G11-08-20D (4)

RCP-3 (YEL)
REFRIGERATOR (15U)
OR (79W)

SP-04 RCP-2 (PUR)
BDRM, RH, RR

RECP (REF)

(21K)

RCP-2 (BLU)
BATH

RCP-E DET-CA
EXTERIOR

WIRE ROUTES BELOW
FLOOR IN THIS AREA

(22T) RCP-3 (YEL)
VACUUM

RCP-2 (PUR)
BDRM LH, RR
SPACER
133713-06-CHT
SCREW
G11-08-20D (4)

(26K)

RCP-2 (PUR)
BDRM, RH, RR

TO RECP-BDRM, LH, RR
FROM RECP-BDRM, RH, RR

RECP-EXTERIOR (BLU)



DETAIL CA

- (26K) REAR STEREO SYSTEM WITHOUT
- (21K) DINING/COMPUTER TABLE/CHAIRS
- (1B2) WTR HTR-10GAL/ELEC/LP/MTRAITD
- (79W) REFRIGERATOR-4 DOOR
- (78U) ELECTRICAL SYSTEM-50 AMP
- (22T) VACUUM SYSTEM-CENTRAL
- (15U) REFRIGERATOR/FRZR W/ICEMAKER
- (26B) CODES/STANDARDS-CSA/CMVSS
- (1B1) CODES/STANDARDS USA

(A) WIRE ROUTED IN SIDEWALL.

(S) WIRE IN SIDEWALL.

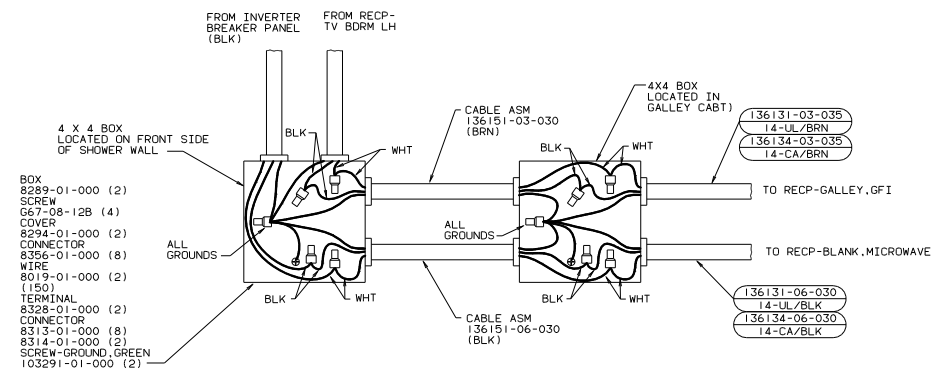
4. SEE WIRING DIAGRAM-BODY, 110V FOR ADDITIONAL INFORMATION.
3. ALL GROUND WIRES ARE TO BE COVERED WITH TUBING 8041-02-000.
2. ALL WIRES ARE TO BE CLAMPED WITH CLAMP 10497-05-000 WITHIN 200 OF OUTLET BOXES AND SPLICES. USE SCREW G67-10-12B OR G39-10-12B.
1. ALL WIRE TO BE CLAMPED WITH CLAMP 10495-01-000 OR CLIP 80734-02-000 EVERY 600. USE SCREW G67-10-12B UNLESS OTHERWISE SPECIFIED.

NOTES:

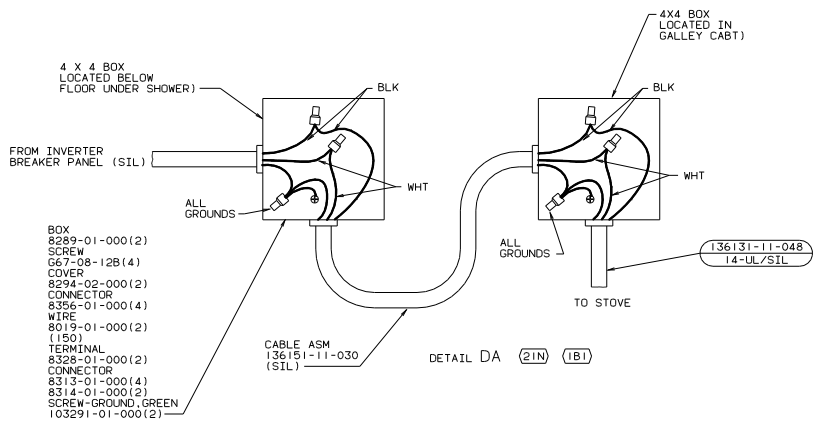
FOR ELECTRICAL TORQUE SPECIFICATIONS SEE DWG NO. 128783-01-000

FOR ELECTRICAL CALLOUTS SEE DWG NO. 121339-01-000

02 040J/JD (1B1)(26B)(78U)
TITLE: WIRING INSTL-BODY(110R50)
DWG NO: 138938
SHEET 3 OF 6



DETAIL DB

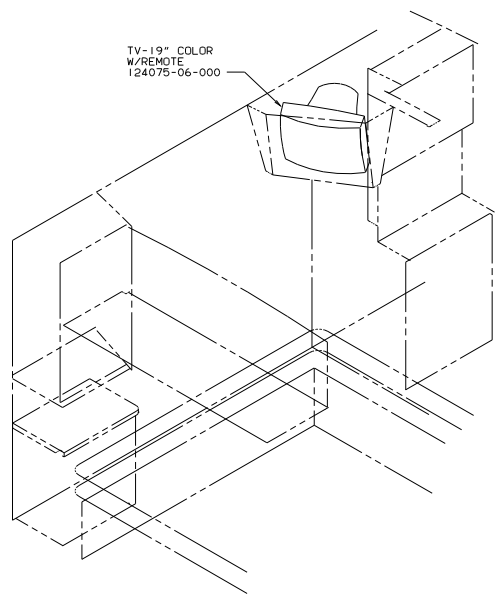


DETAIL DA (21N) (1B1)

- (78J) ELECTRICAL SYSTEM-50 AMP
- (265) CODES/STANDARDS-CSA/CMVSS
- (21N) DISHWASHER/BUILT-IN
- (1B1) CODES/STANDARDS USA

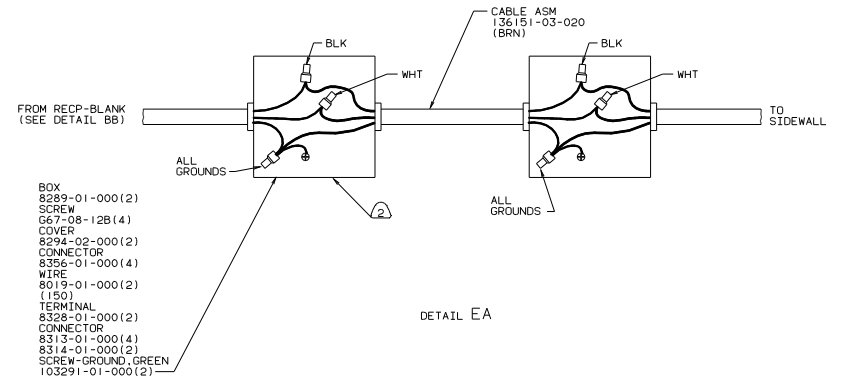
02 040J/JD (1B1)(265)(78J)

TITLE	
WIRING INSTL-BODY 110V	
DO NOT SCALE DRAWING	DATE
SHEET 4 OF 6	138938



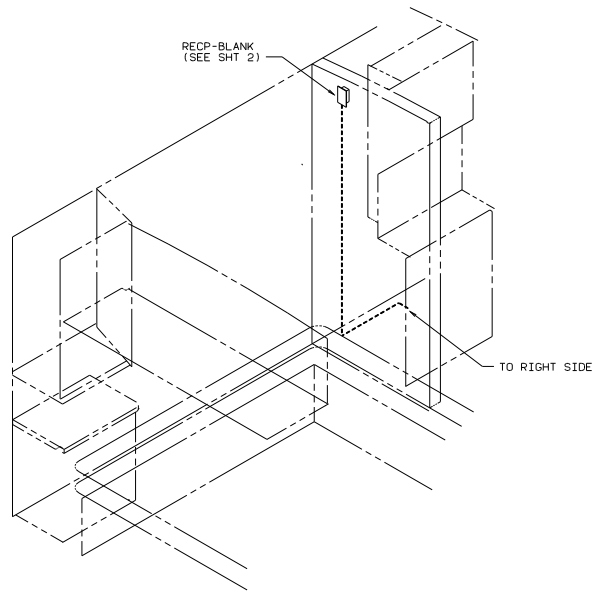
TV-19" COLOR
W/REMOTE
124075-06-000

Q40J



- BOX 8289-01-000(2)
- SCREW 667-08-12B(4)
- COVER 8294-02-000(2)
- CONNECTOR 8356-01-000(4)
- WIRE 8019-01-000(2)
- TERMINAL 1150
- CONNECTOR 8328-01-000(2)
- 8313-01-000(4)
- 8314-01-000(2)
- SCREW-GROUND, GREEN 103291-01-000(2)

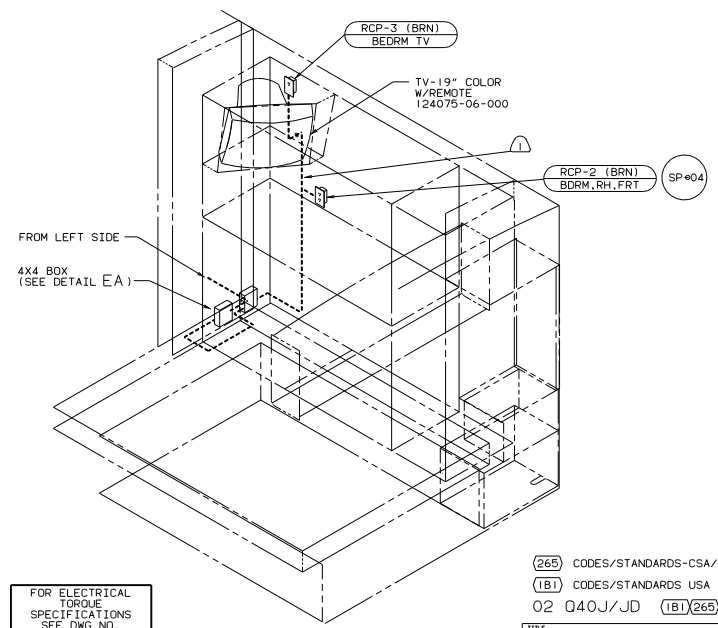
DETAIL EA



RECP-BLANK
(SEE SHT 2)

TO RIGHT SIDE

Q40JD



RCP-3 (BRN)
BEDRM TV

TV-19" COLOR
W/REMOTE
124075-06-000

RCP-2 (BRN)
BDRM, RH, FRT

SP#04

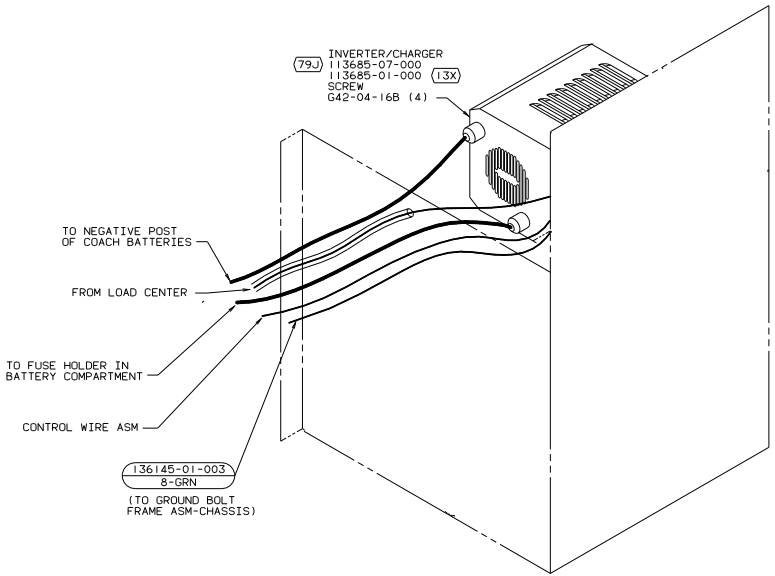
FROM LEFT SIDE

4X4 BOX
(SEE DETAIL EA)

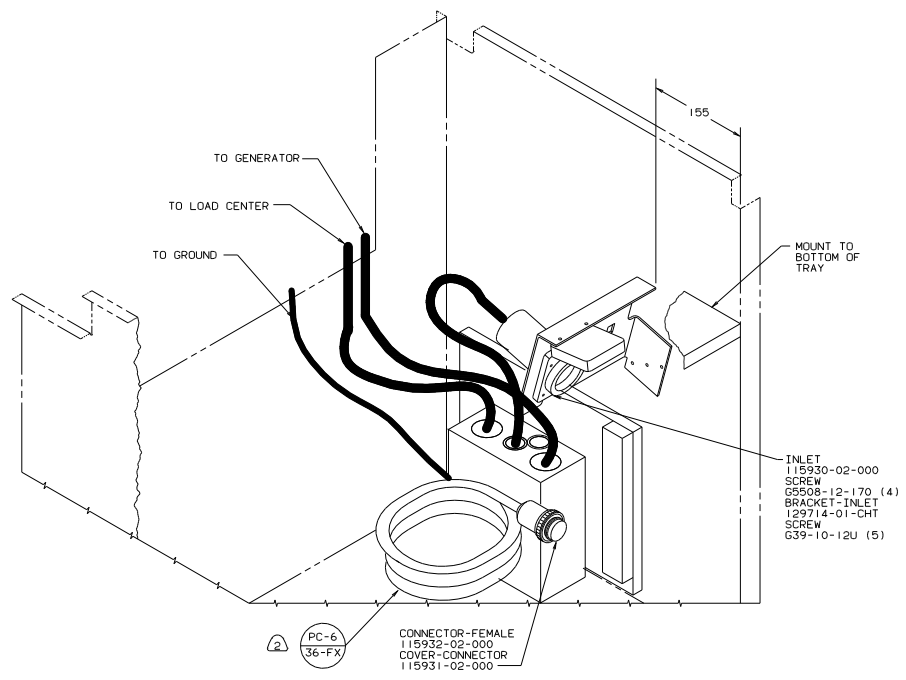
FOR ELECTRICAL
TORQUE
SPECIFICATIONS
SEE DWG NO.
128783-01-000

(265) CODES/STANDARDS-CSA/CMVSS
(1B1) CODES/STANDARDS USA
02 Q40J/JD (1B1)(265)

- NOTES:
- (2) CONNECTION MADE DURING INSTALLATION.
 - (1) WIRE IN SIDEWALL.



INVERTER/CHARGER (3)



- (3) CONNECT ROMEX FROM MAIN LOAD CENTER TO AC INPUT AND ROMEX TO SMALL SUB PANEL TO AC OUTPUT. USE WIRE NUTS AND STRAIN RELIEF CONNECTORS SUPPLIED WITH INVERTER/CHARGER. CONNECT REMOTE PANEL CONTROL CABLE TO CONNECTION ON BASE OF INVERTER/CHARGER.
- (2) ALL 110V STRANDED WIRE W/O TERMINALS TO BE STRIPPED 10MM AND SOLDER DIPPED.
1. ALL WIRES TO BE CLAMPED WITHIN 200 OF BOX.

FOR ELECTRICAL TORQUE SPECIFICATIONS SEE DWG NO. 128783-01-000

(X-X)

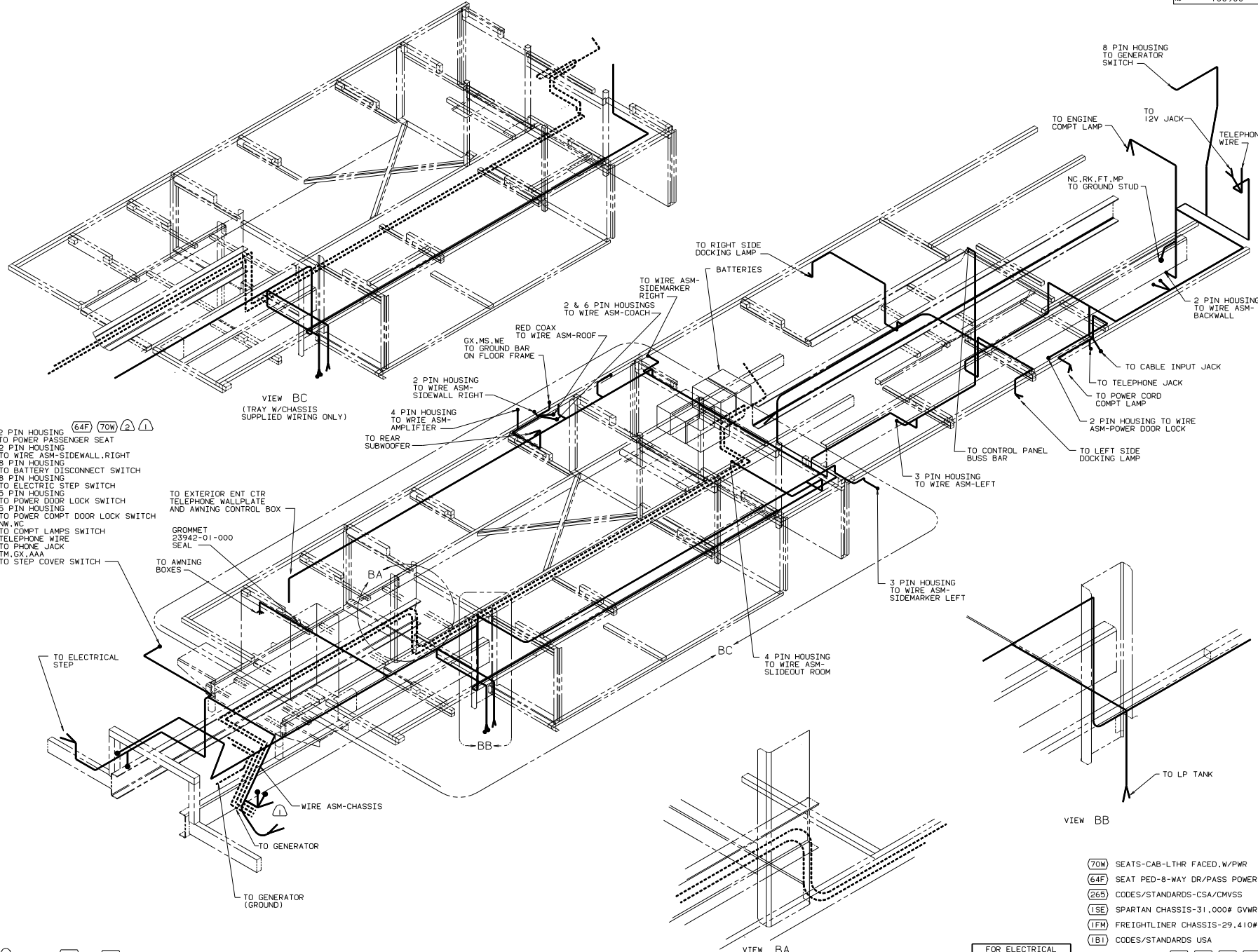
FOR ELECTRICAL CALLOUTS SEE DWG NO. 121339-01-000

- (13X) INVERTER/CHARGER 2.0 KW
 (79J) INVERTER/CHARGER-1,500 WATT
 (78J) ELECTRICAL SYSTEM-50 AMP
 (265) CODES/STANDARDS-CSA/CMVSS
 (181) CODES/STANDARDS USA

02 040J/JD (181)(265)(78J)

TITLE: WIRING INSTL-BODY,110V

DO NOT SCALE DIMENSIONS SHEET NO. 6 OF 6 I.F. NO. 138938



- 2 PIN HOUSING (64F) (70W) (2) (1)
- 2 PIN HOUSING TO POWER PASSENGER SEAT
- 2 PIN HOUSING TO WIRE ASM-SIDEWALL, RIGHT
- 8 PIN HOUSING TO BATTERY DISCONNECT SWITCH
- 8 PIN HOUSING TO ELECTRIC STEP SWITCH
- 5 PIN HOUSING TO POWER DOOR LOCK SWITCH
- 5 PIN HOUSING TO POWER COMPT DOOR LOCK SWITCH
- NW, NG TO COMPT LAMPS SWITCH
- TELEPHONE WIRE TO PHONE JACK
- TM, GX, AAA TO STEP COVER SWITCH

TO EXTERIOR ENT CTR TELEPHONE WALLPLATE AND AWNING CONTROL BOX

GROMMET 23942-01-000 SEAL

TO AWNING BOXES

NOTES:

(2) WITHOUT (64F) OR (70W). COIL WIRE UNDER PASSENGER CONSOLE.

(1) SEE WIRING INSTL-FRONT END FOR ADDITIONAL INFORMATION.

- (70W) SEATS-CAB-LTHR FACED.W/PWR
- (64F) SEAT PED-8-WAY DR/PASS POWER
- (265) CODES/STANDARDS-CSA/CMVSS
- (1SE) SPARTAN CHASSIS-31,000# GVWR
- (1FM) FREIGHTLINER CHASSIS-29,410#
- (1B1) CODES/STANDARDS USA

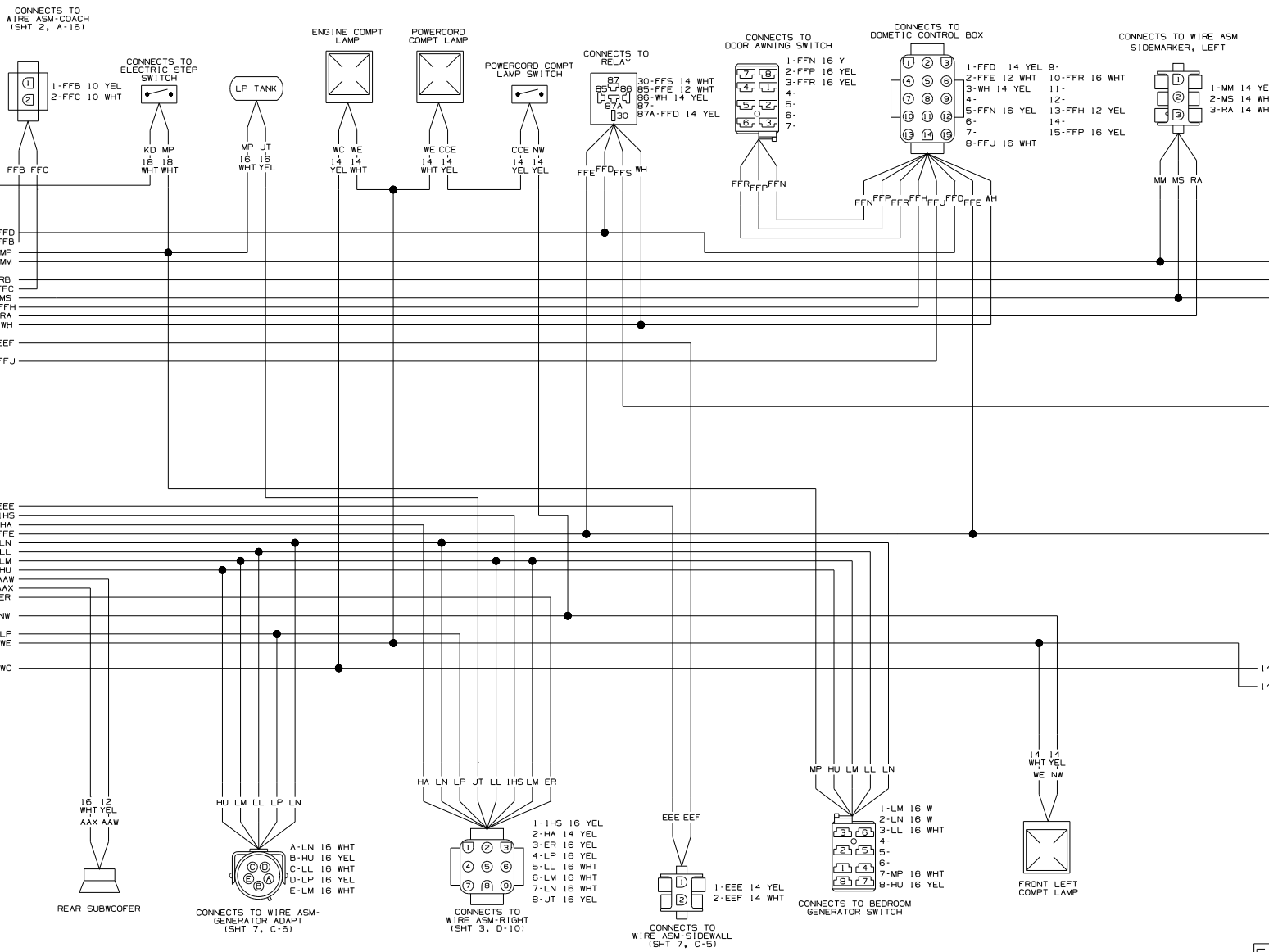
FOR ELECTRICAL TORQUE SPECIFICATIONS SEE DWG NO 128783-01-000

02 Q40J/JD (1B1) (265) (1FM) (1SE)

TITLE: WIRING INSTL-CHASSIS

DO NOT SCALE DRAWING

138936



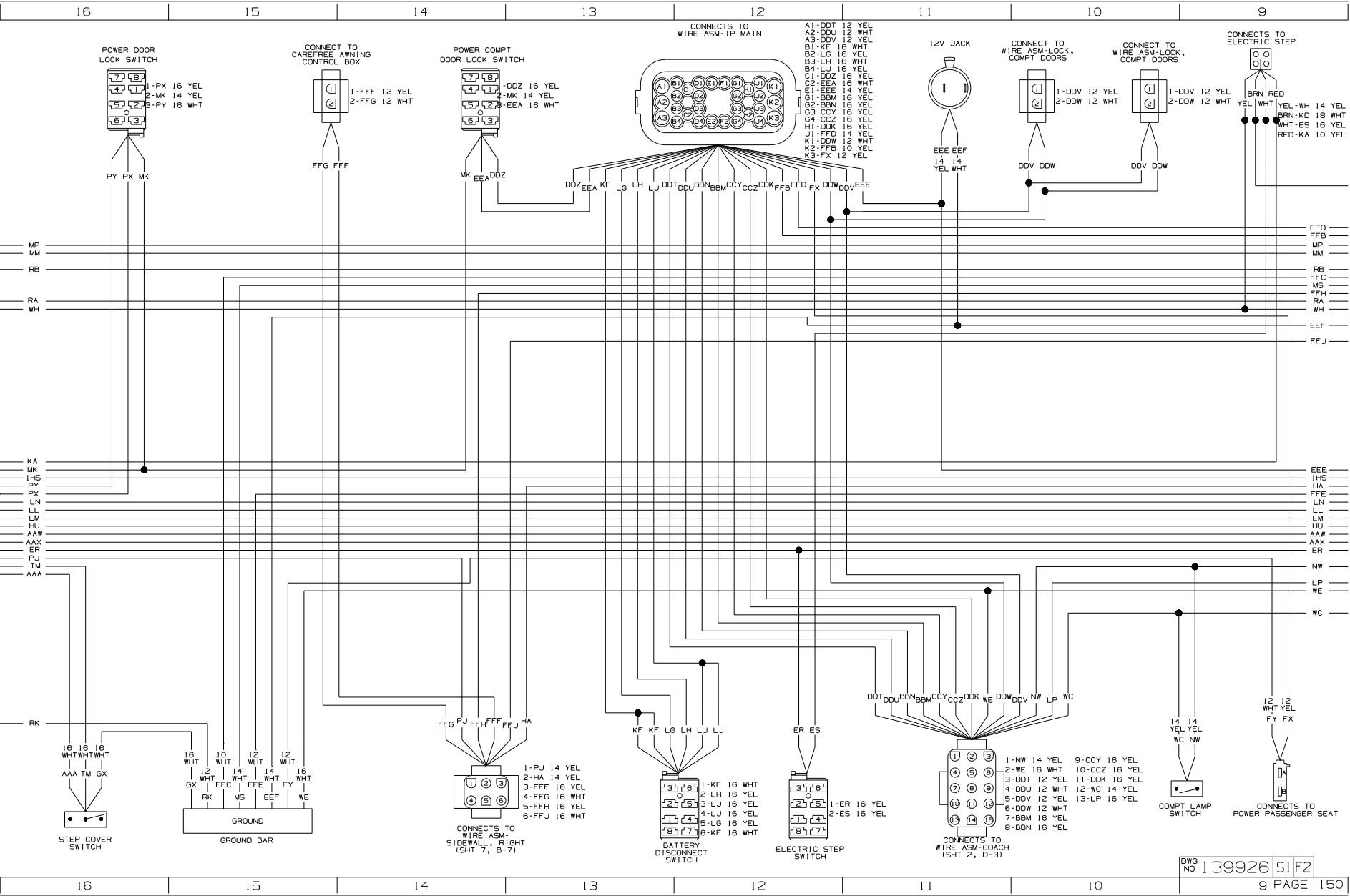
WINNEBAGO

DATE: 12/03/01
 ALL DIMENSIONS ARE IN MILLIMETERS
 FIRST USED: 02 Q40WD
 UNSPECIFIED TOLERANCES ARE:
 SIZE DIM 100 ± .1
 ONE-PLACE 18.00 ± .1
 TWO-PLACE 18.00 ± .1
 ANGLE ± .5

THIRD ANGLE PROJECTION

DO NOT SCALE DRAWING

TITLE: WIRING DIAGRAM-BODY, 12V
 SHEET 1 of 9 PART NO 139926



16

15

14

13

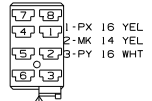
12

11

10

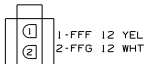
9

POWER DOOR
LOCK SWITCH



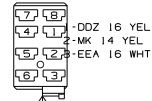
PY PX MK

CONNECT TO
CAREFREE AWNING
CONTROL BOX

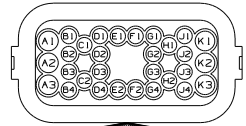


FFG FFF

POWER COMPT
DOOR LOCK SWITCH



MK EEA DOZ



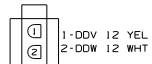
CONNECTS TO
WIRE ASM-IP MAIN

- A1-DDT 12 YEL
- A2-DDU 12 WHT
- A3-DDV 12 YEL
- B1-KF 16 WHT
- B2-LG 16 YEL
- B3-LH 16 WHT
- B4-LJ 16 YEL
- C1-DDZ 16 YEL
- C2-EEA 16 WHT
- E1-EEA 16 YEL
- G1-BBM 16 YEL
- G2-BBN 16 YEL
- G3-CCY 16 YEL
- G4-CCZ 16 YEL
- H1-ODK 16 YEL
- J1-FFD 14 YEL
- K1-DDW 12 WHT
- K2-FFG 10 YEL
- K3-FX 12 YEL



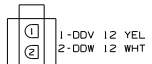
12V JACK
EEE EEF
14 14
YEL WHT

CONNECT TO
WIRE ASM-LOCK,
COMPT DOORS



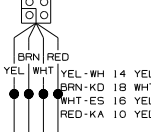
DDV DDW

CONNECT TO
WIRE ASM-LOCK,
COMPT DOORS



DDV DDW

CONNECTS TO
ELECTRIC STEP

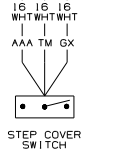


MP
MM
RB
RA
WH

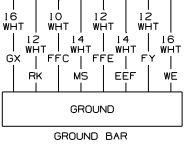
FFD
FFB
MP
MM
RB
FFC
MS
FFH
RA
WH
EEF
FFJ

KA
MK
IHS
PY
PX
LN
LL
LM
HU
AAW
AAX
ER
PJ
TM
AAA

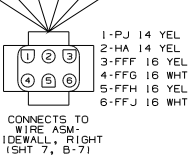
EEE
IHS
HA
FFE
LN
LL
LM
HU
AAW
AAX
ER
NW
LP
WE
WC



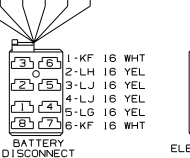
STEP COVER
SWITCH



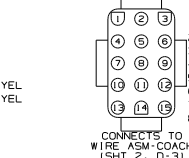
GROUND BAR



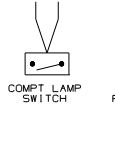
CONNECTS TO
WIRE ASM-
SIDEWALL, RIGHT
(SHT 7, 8-7)



BATTERY
DISCONNECT
SWITCH



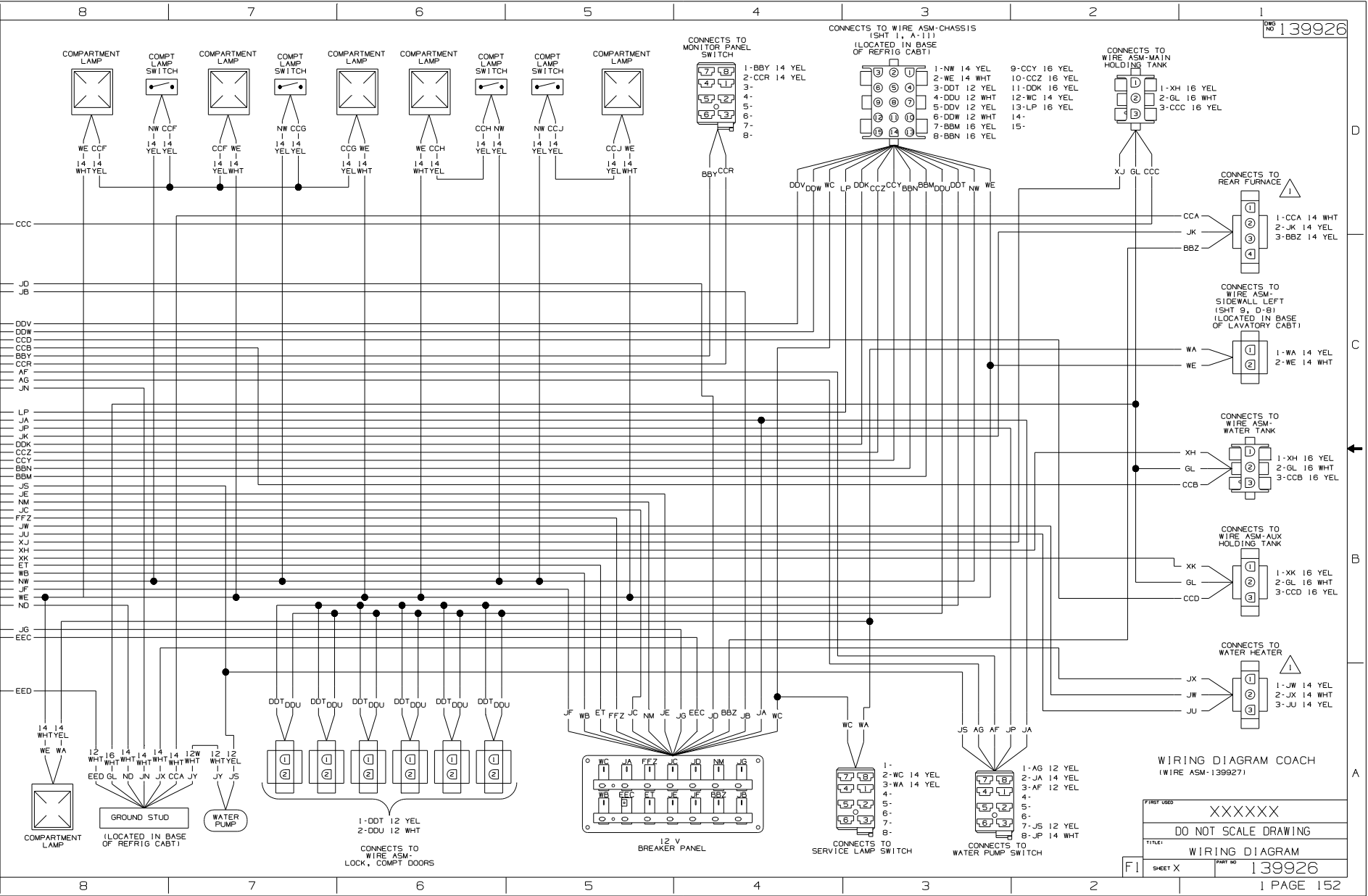
CONNECTS TO
WIRE ASM-COACH
(SHT 2, D-3)



COMPT LAMP
SWITCH

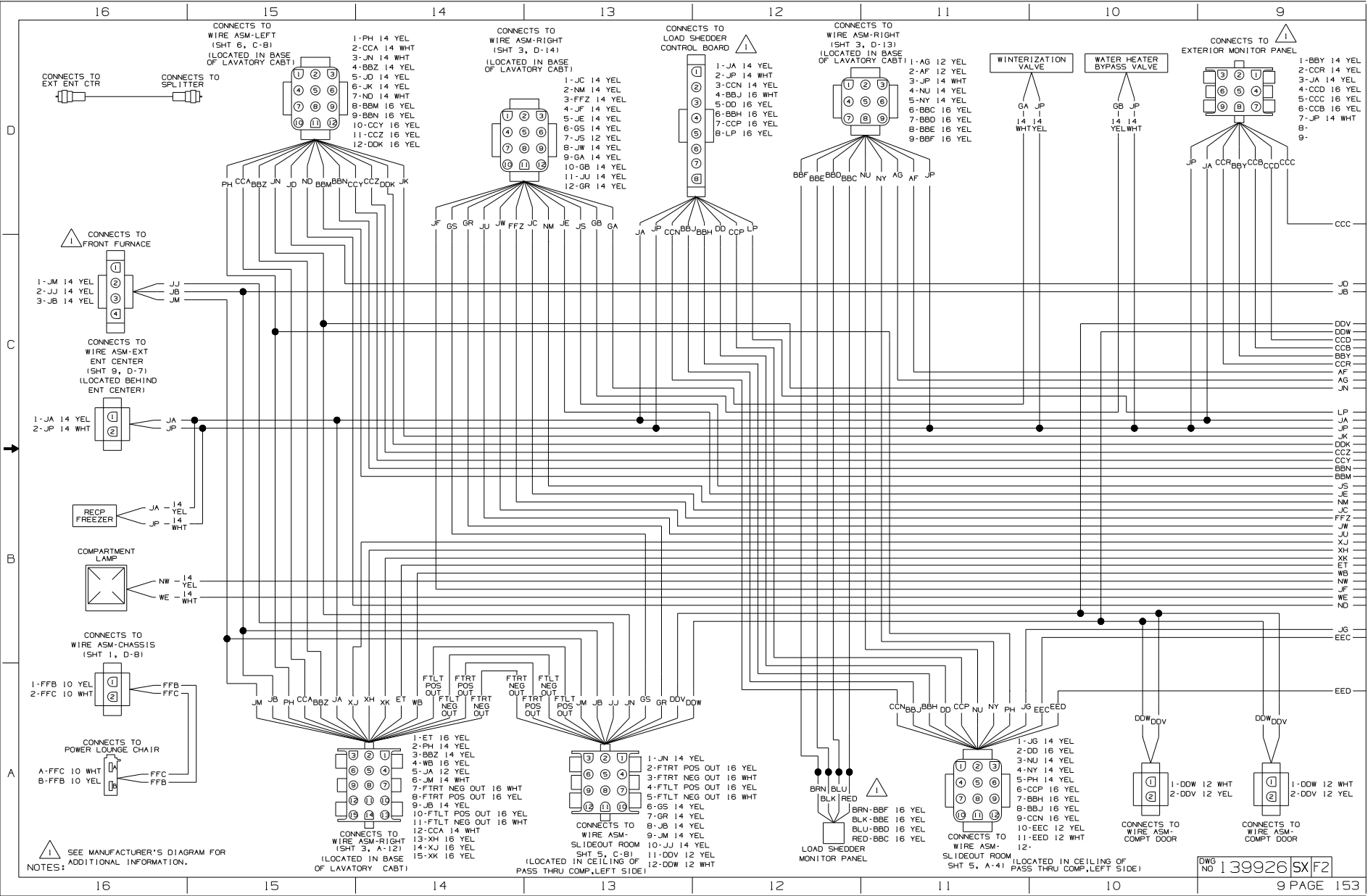


CONNECTS TO
POWER PASSENGER SEAT



WIRING DIAGRAM COACH (WIRE ASM-139927)

FIRST USED	XXXXXX
TITLE	DO NOT SCALE DRAWING
WIRING DIAGRAM	
F1 SHEET X	PART NO 139926



CONNECTS TO WIRE ASM-LEFT (SHT 6, C-8) (LOCATED IN BASE OF LAVATORY CABT)

- 1-PH 14 YEL
- 2-CCA 14 WHT
- 3-JN 14 WHT
- 4-BBZ 14 YEL
- 5-JD 14 YEL
- 6-JK 14 YEL
- 7-ND 14 WHT
- 8-BBM 16 YEL
- 9-BBN 16 YEL
- 10-CCY 16 YEL
- 11-CCZ 16 YEL
- 12-DDK 16 YEL

CONNECTS TO WIRE ASM-RIGHT (SHT 3, D-14) (LOCATED IN BASE OF LAVATORY CABT)

- 1-JC 14 YEL
- 2-NM 14 YEL
- 3-FFZ 14 YEL
- 4-JF 14 YEL
- 5-JE 14 YEL
- 6-GS 14 YEL
- 7-JS 12 YEL
- 8-JW 14 YEL
- 9-GA 14 YEL
- 10-GB 14 YEL
- 11-JU 14 YEL
- 12-GR 14 YEL

CONNECTS TO LOAD SHEDDER CONTROL BOARD

- 1-JA 14 YEL
- 2-JP 14 WHT
- 3-CCN 14 YEL
- 4-BBJ 16 WHT
- 5-DD 16 YEL
- 6-BBH 16 YEL
- 7-CCP 16 YEL
- 8-LP 16 YEL

CONNECTS TO WIRE ASM-RIGHT (SHT 3, D-13) (LOCATED IN BASE OF LAVATORY CABT)

- 1-AG 12 YEL
- 2-AF 12 YEL
- 3-JP 14 WHT
- 4-NU 14 YEL
- 5-NY 14 YEL
- 6-BBC 16 YEL
- 7-BBD 16 YEL
- 8-BBE 16 YEL
- 9-BBF 16 YEL

WINTERIZATION VALVE
GA JP
14 14 WHT/YEL

WATER HEATER BYPASS VALVE
GB JP
14 14 YEL/WHT

CONNECTS TO EXTERIOR MONITOR PANEL

- 1-BBY 14 YEL
- 2-COR 14 YEL
- 3-JA 14 YEL
- 4-CCD 16 YEL
- 5-CCC 16 YEL
- 6-CBB 16 YEL
- 7-JP 14 WHT
- 8-
- 9-

- 1-BBY 14 YEL
- 2-COR 14 YEL
- 3-JA 14 YEL
- 4-CCD 16 YEL
- 5-CCC 16 YEL
- 6-CBB 16 YEL
- 7-JP 14 WHT
- 8-
- 9-

CONNECTS TO FRONT FURNACE

- 1-JM 14 YEL
- 2-JJ 14 YEL
- 3-JB 14 YEL

CONNECTS TO WIRE ASM-EXT ENT CENTER (SHT 9, D-7) (LOCATED BEHIND ENT CENTER)

- 1-JA 14 YEL
- 2-JP 14 WHT

RECIP FREEZER
JA - 14 YEL
JP - 14 WHT

COMPARTMENT LAMP
NW - 14 YEL
WE - 14 WHT

CONNECTS TO WIRE ASM-CHASSIS (SHT 1, D-8)

- 1-FFB 10 YEL
- 2-FFC 10 WHT

CONNECTS TO POWER LOUNGE CHAIR
A-FFC 10 WHT
B-FFB 10 YEL

- 1-ET 16 YEL
- 2-PH 14 YEL
- 3-BBZ 14 YEL
- 4-WB 16 YEL
- 5-JA 12 YEL
- 6-JM 14 WHT
- 7-FTRT NEG OUT 16 WHT
- 8-FTRT POS OUT 16 YEL
- 9-JB 14 YEL
- 10-FTLT POS OUT 16 YEL
- 11-FTLT NEG OUT 16 WHT
- 12-CCA 14 WHT
- 13-XH 16 YEL
- 14-XJ 16 YEL
- 15-XK 16 YEL

- 1-JN 14 YEL
- 2-FTRT POS OUT 16 YEL
- 3-FTRT NEG OUT 16 WHT
- 4-FTLT POS OUT 16 YEL
- 5-FTLT NEG OUT 16 WHT
- 6-GS 14 YEL
- 7-GR 14 YEL
- 8-JS 14 YEL
- 9-JM 14 YEL
- 10-JJ 14 YEL
- 11-DDV 12 YEL
- 12-DDW 12 WHT

CONNECTS TO WIRE ASM-SLIDEOUT ROOM (SHT 5, C-8) (LOCATED IN CEILING OF PASS THRU COMP-LEFT SIDE)

LOAD SHEDDER MONITOR PANEL
BRN-BBF 16 YEL
BLK-BBE 16 YEL
BLU-BBD 16 YEL
RED-BBC 16 YEL

- 1-JG 14 YEL
- 2-DD 16 YEL
- 3-NU 14 YEL
- 4-NY 14 YEL
- 5-PH 14 YEL
- 6-CCP 16 YEL
- 7-BBH 16 YEL
- 8-BBJ 16 YEL
- 9-CCN 16 YEL
- 10-ECC 12 YEL
- 11-EED 12 WHT
- 12-

CONNECTS TO WIRE ASM-SLIDEOUT ROOM (SHT 5, A-4) (LOCATED IN CEILING OF PASS THRU COMP-LEFT SIDE)

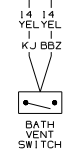
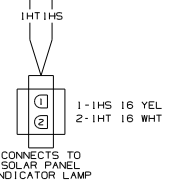
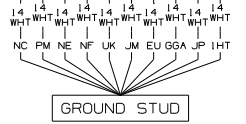
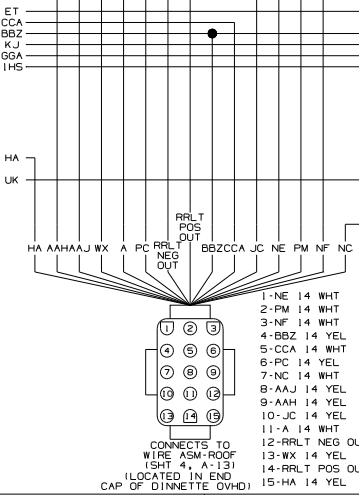
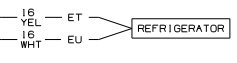
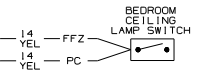
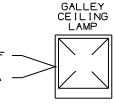
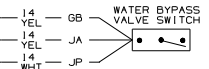
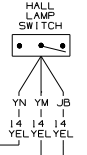
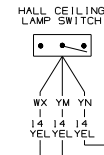
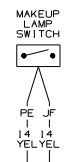
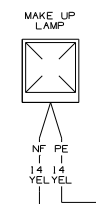
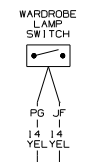
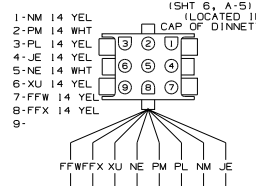
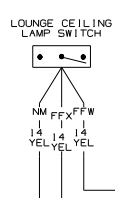
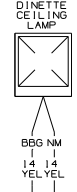
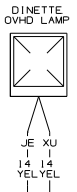
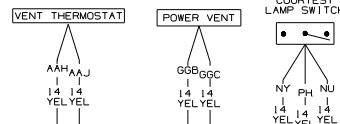
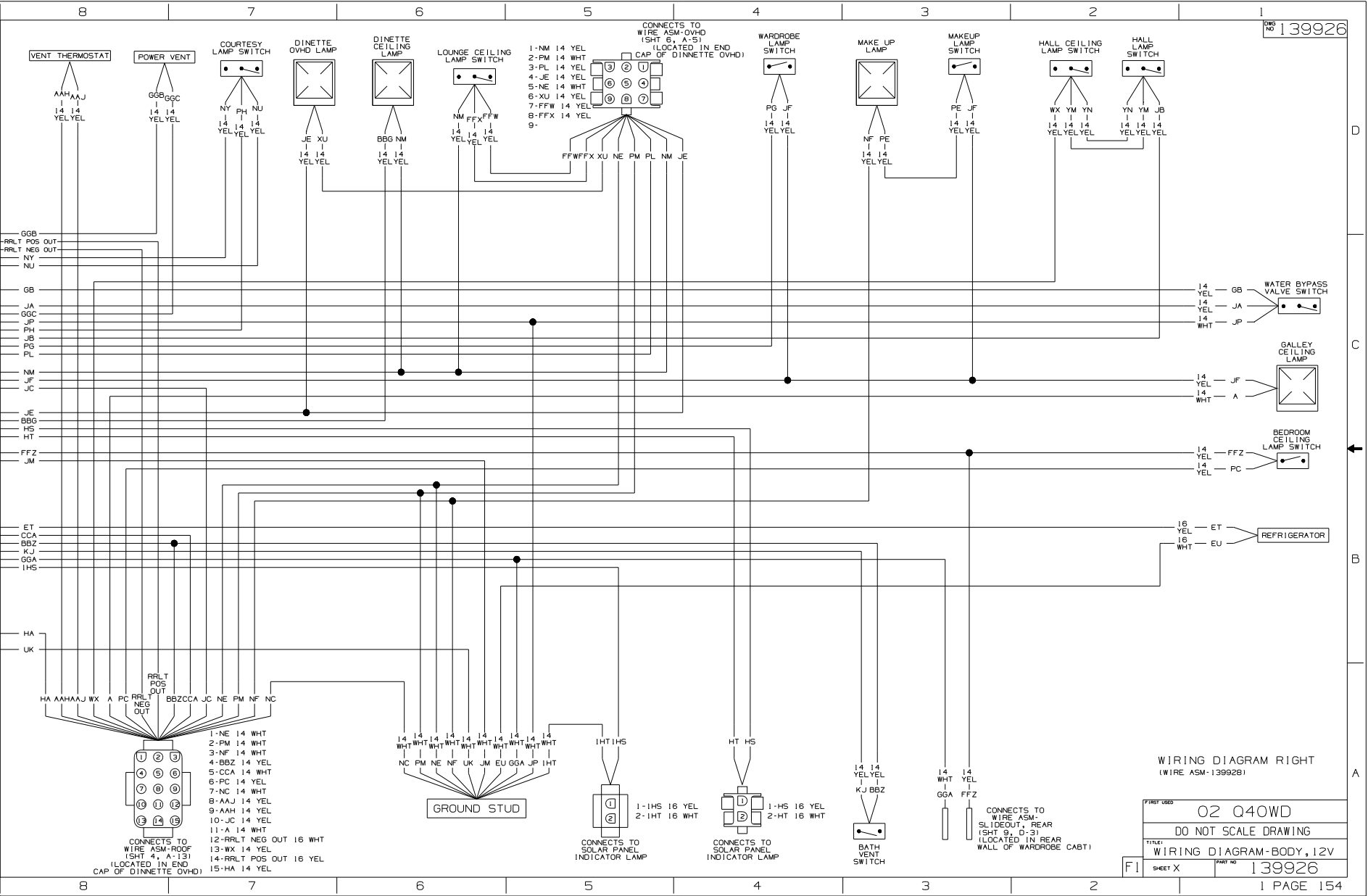
- 1-DDW 12 WHT
- 2-DDV 12 YEL

CONNECTS TO WIRE ASM-COMPT DOOR

- 1-DDW 12 WHT
- 2-DDV 12 YEL

CONNECTS TO WIRE ASM-COMPT DOOR

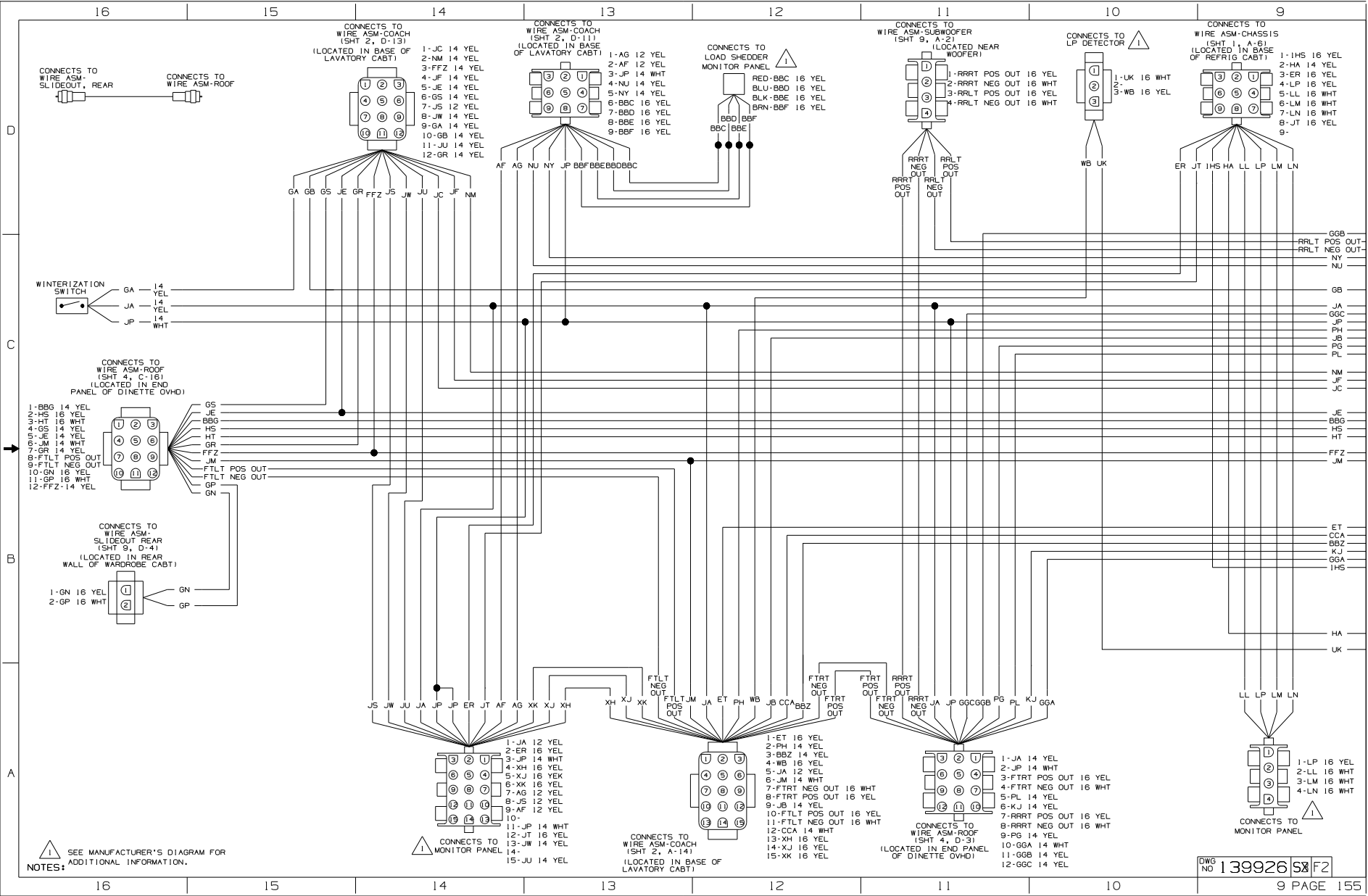
NOTES: SEE MANUFACTURER'S DIAGRAM FOR ADDITIONAL INFORMATION.



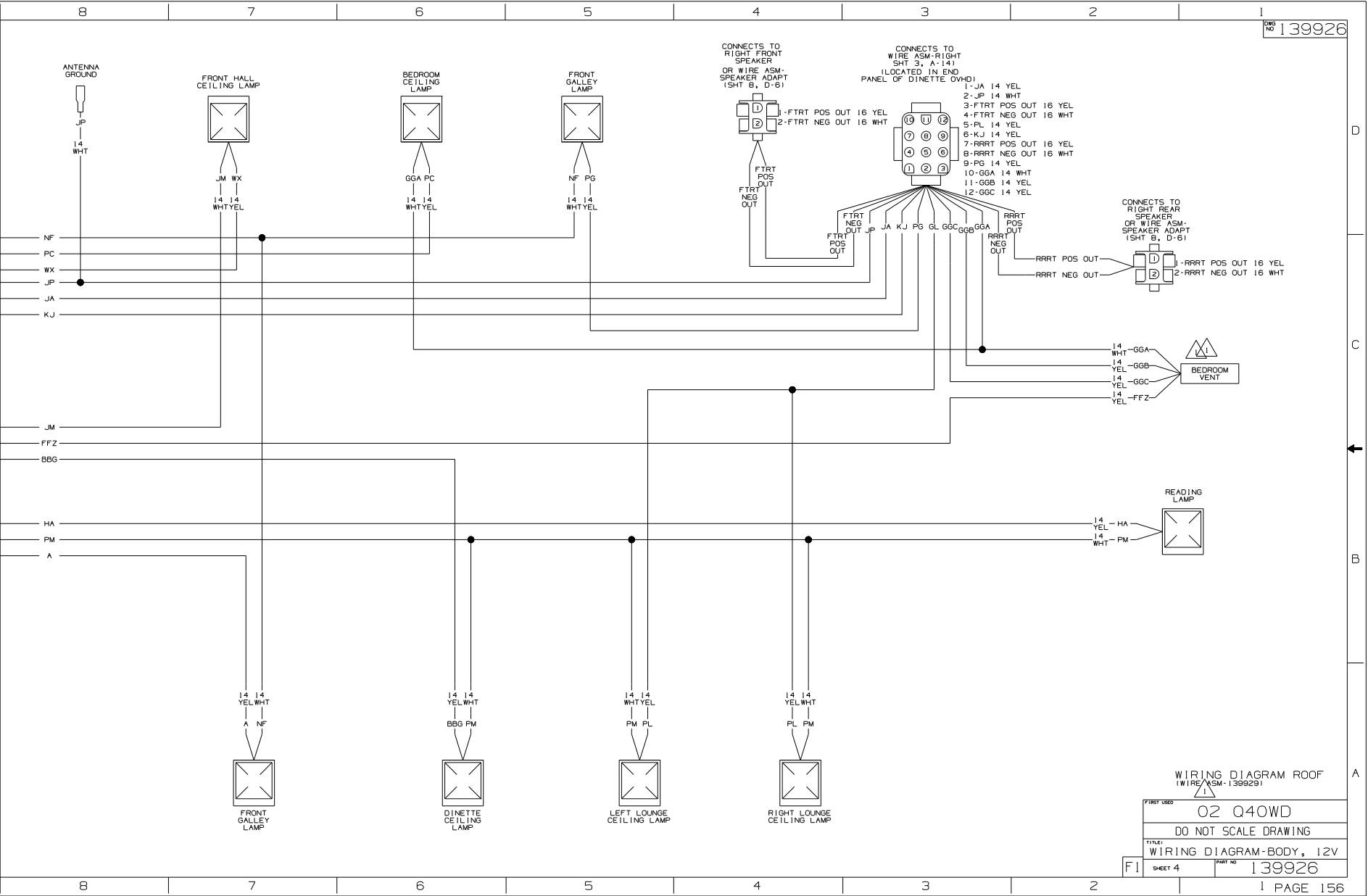
CONNECTS TO WIRE ASM-SLIDECUT, REAR (SHT 9, D-3) (LOCATED IN REAR WALL OF WARDROBE CABT)

WIRING DIAGRAM RIGHT
(WIRE ASM-139926)

FIRST USED		02 Q40WD	
DO NOT SCALE DRAWING			
TITLE WIRING DIAGRAM-BODY,12V			
F1	SHEET X	PART NO	139926

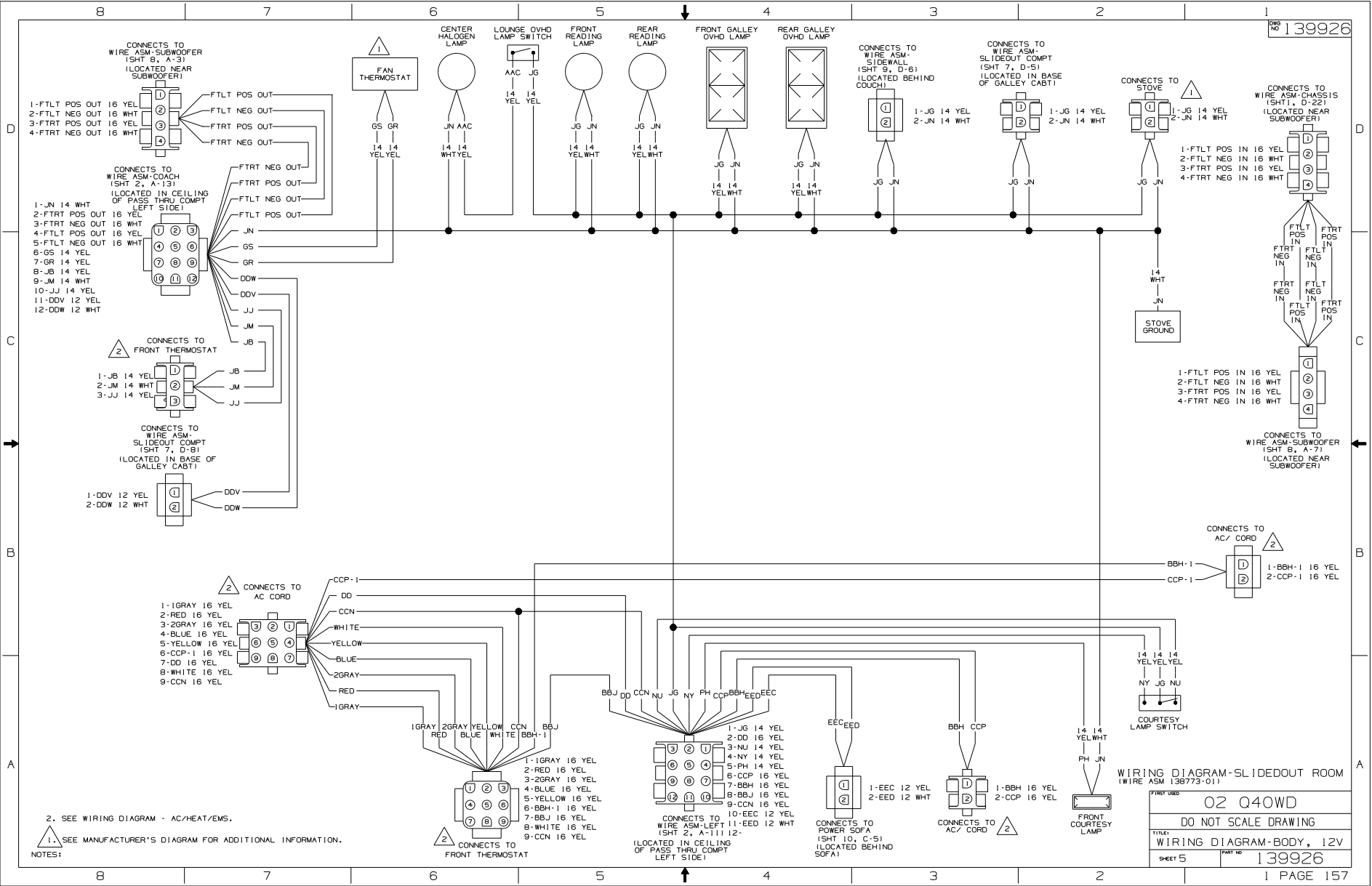


NOTES: SEE MANUFACTURER'S DIAGRAM FOR ADDITIONAL INFORMATION.



WIRING DIAGRAM ROOF
(WIRE ASM-139929)

FIRST USED	02 Q40WD	
TITLE:	DO NOT SCALE DRAWING	
	WIRING DIAGRAM-BODY, 12V	
F1	SHEET 4	PART NO 139926



- 1-FTLT POS IN 16 YEL
- 2-FTLT NEG IN 16 WHT
- 3-FTRT POS IN 16 YEL
- 4-FTRT NEG IN 16 WHT

- 1-FTLT POS IN 16 YEL
- 2-FTLT NEG IN 16 WHT
- 3-FTRT POS IN 16 YEL
- 4-FTRT NEG IN 16 WHT

- 1-BBH-1 16 YEL
- 2-CCP-1 16 YEL

FIRST ORG		02 040WD	
DO NOT SCALE DRAWING			
TITLE: WIRING DIAGRAM-BODY, 12V			
SHEET 5		PART NO 139926	

- 1-FTLT POS OUT 16 YEL
- 2-FTLT NEG OUT 16 WHT
- 3-FTRT POS OUT 16 YEL
- 4-FTRT NEG OUT 16 WHT

- 1-JN 14 WHT
- 2-FTRT POS OUT 16 YEL
- 3-FTRT NEG OUT 16 WHT
- 4-FTLT POS OUT 16 YEL
- 5-FTLT NEG OUT 16 WHT
- 6-GS 14 YEL
- 7-GR 14 YEL
- 8-JB 14 YEL
- 9-JM 14 WHT
- 10-JJ 14 YEL
- 11-DDV 12 YEL
- 12-DDV 12 WHT

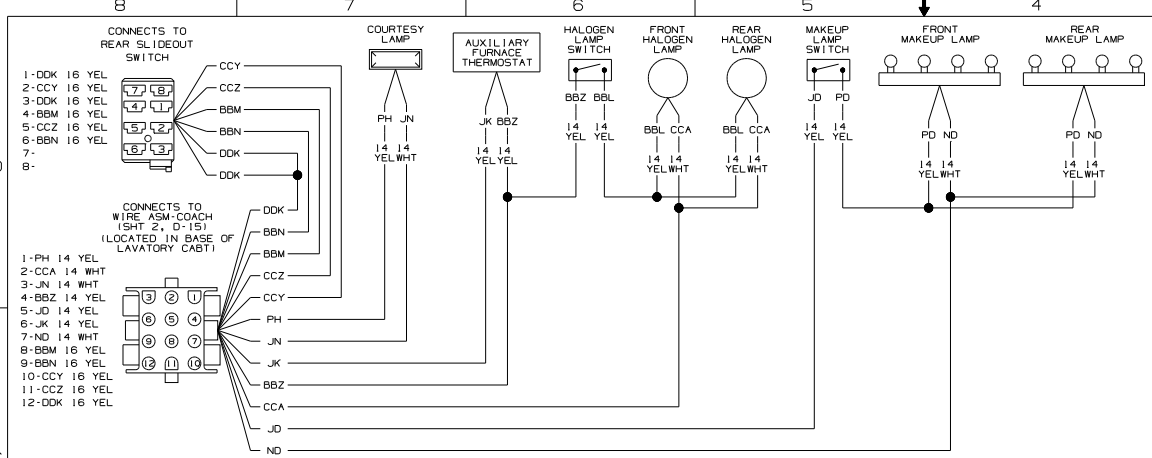
- 1-JB 14 YEL
- 2-JM 14 WHT
- 3-JJ 14 YEL

- 1-DDV 12 YEL
- 2-DDV 12 WHT

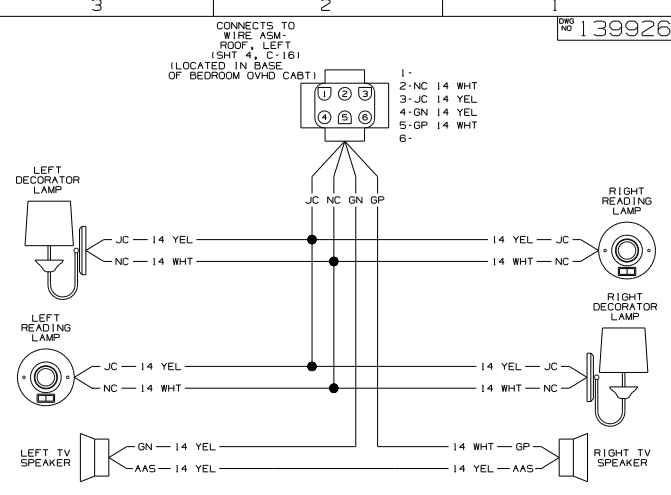
- 1-IGRAY 16 YEL
- 2-RED 16 YEL
- 3-2GRAY 16 YEL
- 4-BLUE 16 YEL
- 5-YELLOW 16 YEL
- 6-CCP-1 16 YEL
- 7-DD 16 YEL
- 8-WHITE 16 YEL
- 9-CCN 16 YEL

- 1-IGRAY 16 YEL
- 2-RED 16 YEL
- 3-2GRAY 16 YEL
- 4-BLUE 16 YEL
- 5-YELLOW 16 YEL
- 6-BBH-1 16 YEL
- 7-BBJ 16 YEL
- 8-WHITE 16 YEL
- 9-CCN 16 YEL

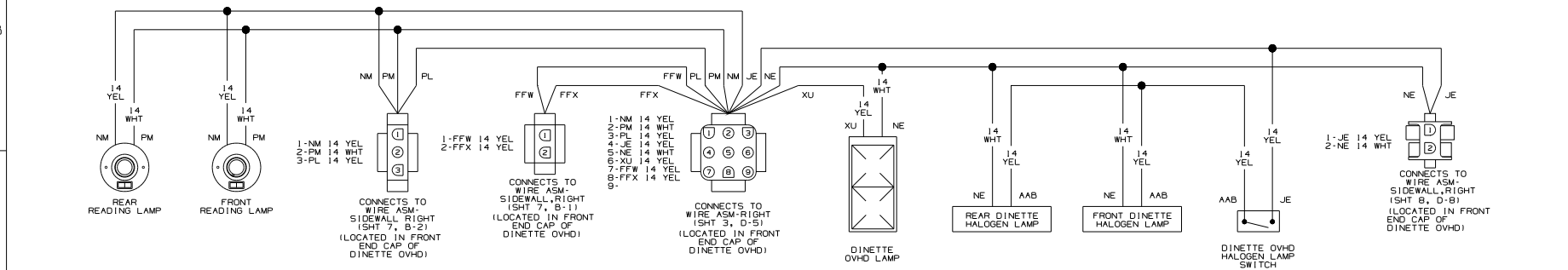
2. SEE WIRING DIAGRAM - AC/HEAT/EMS.
 1. SEE MANUFACTURER'S DIAGRAM FOR ADDITIONAL INFORMATION.



WIRING DIAGRAM-LEFT
(WIRE ASM 140018-01)

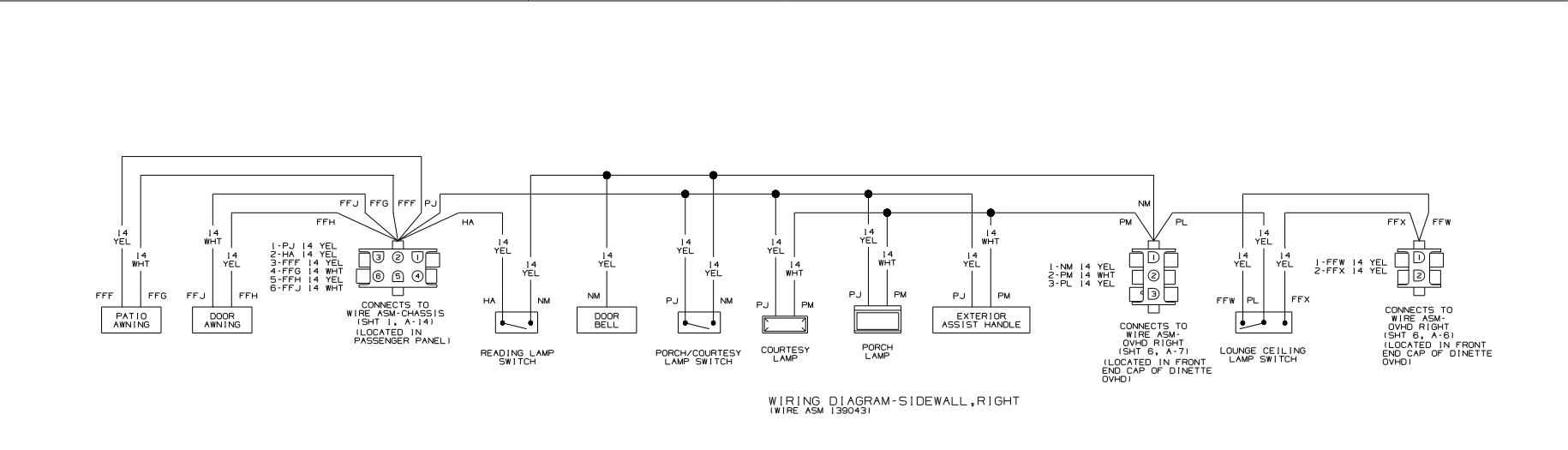
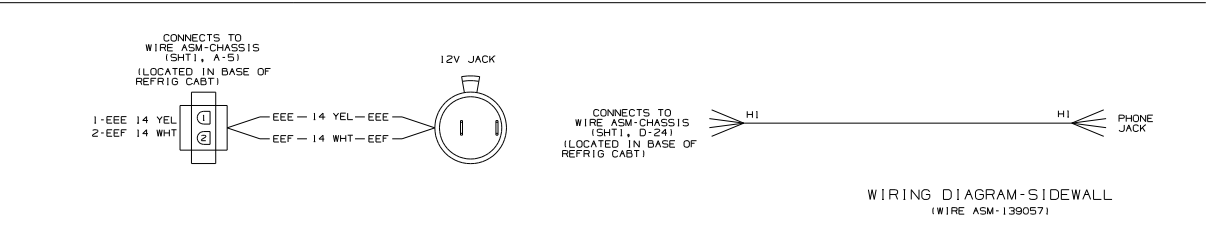
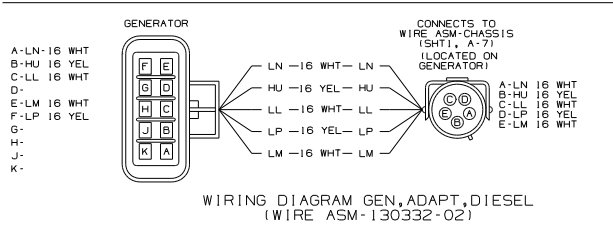
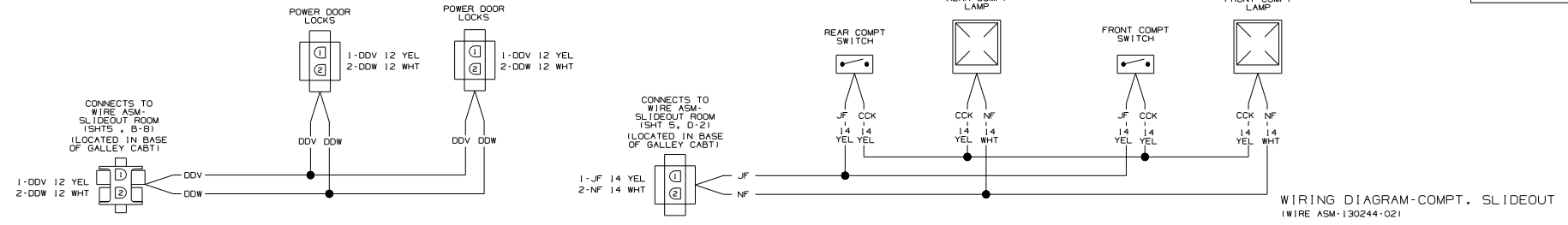


WIRING DIAGRAM-OVHD, REAR
(WIRE ASM 133455-01)



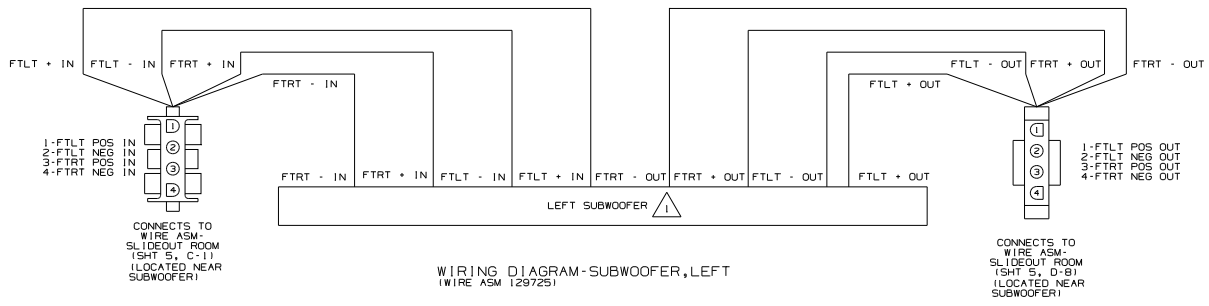
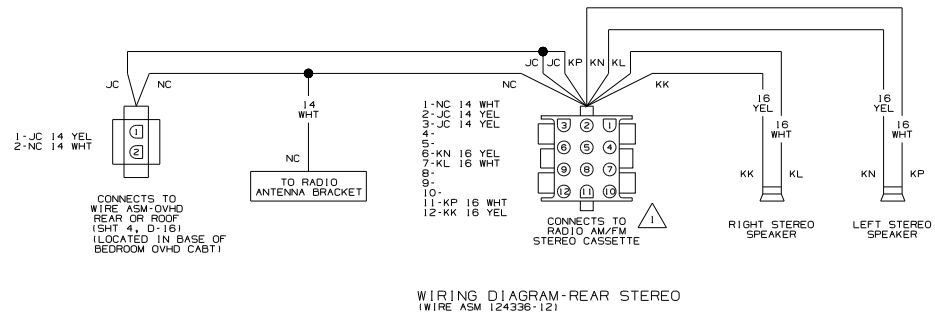
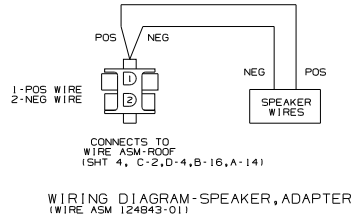
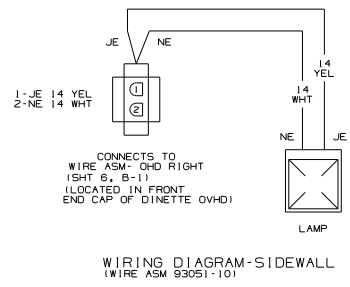
WIRING DIAGRAM-OVHD, RIGHT
(WIRE ASM 139037)

FIRST USED		02 040WD	
DO NOT SCALE DRAWING			
TITLE: WIRING DIAGRAM-BODY, 12V			
SHEET 6	PART NO		139926



NOTE
NOTES:

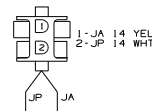
FIRST USED	02 Q40D
TITLE:	DO NOT SCALE DRAWING
WIRING DIAGRAM- BODY, 12V	
SHEET 7	PART NO 139926



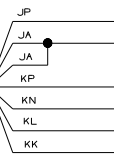
SEE MANUFACTURER'S DIAGRAM FOR ADDITIONAL INFORMATION.

FIGURE NO.	02 Q40WD
TITLE:	DO NOT SCALE DRAWING
	WIRING DIAGRAM-BODY, 12V
SHEET X	PART NO 139926

CONNECTS TO WIRE ASM-COACH (SHT 2, C-16) (LOCATED BEHIND ENT CENTER)

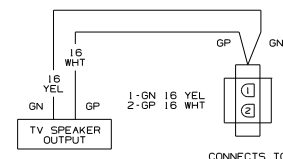


CONNECTS TO RADIO WIRING



- 1-JA 14 YEL
- 2-JP 14 WHT
- 4-JA 14 YEL
- 5-KP 14 WHT
- 6-KN 14 YEL
- 8-KL 14 WHT
- 9-KK 14 YEL
- 10-JP 14 WHT
- 11-
- 12-

WIRING DIAGRAM ENT CENTER (WIRE ASM 125853-04)

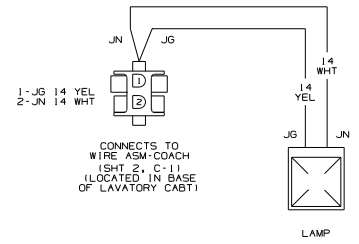
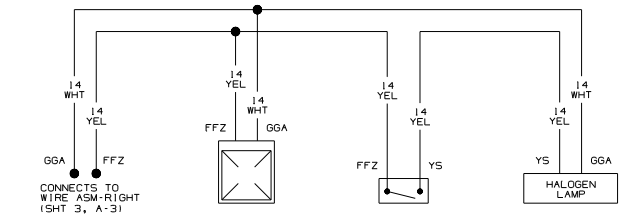


CONNECTS TO WIRE ASM-RIGHT (SHT 3, A-3) (LOCATED IN REAR WALL OF WARDROBE CABT)

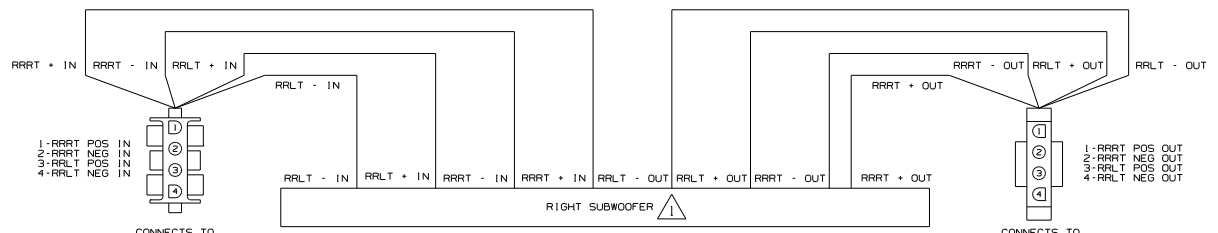
CONNECTS TO WIRE ASM-RIGHT

CONNECTS TO TV

WIRING DIAGRAM-SLIDEOUT, REAR (WIRE ASM 139087)



WIRING DIAGRAM-ROOF, CENTER (WIRE ASM 77093-21)



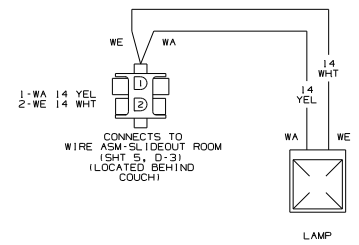
- 1-RRRT POS IN
- 2-RRRT NEG IN
- 3-RRLT POS IN
- 4-RRLT NEG IN

CONNECTS TO WIRE ASM-CHASSIS (SHT 1, D-21) (LOCATED NEAR SUBWOOFER)

- 1-RRRT POS OUT
- 2-RRRT NEG OUT
- 3-RRLT POS OUT
- 4-RRLT NEG OUT

CONNECTS TO WIRE ASM-RIGHT (SHT 3, D-11) (LOCATED NEAR SUBWOOFER)

WIRING DIAGRAM-SUBWOOFER, RIGHT (WIRE ASM 129724)



- 1-WA 14 YEL
- 2-WE 14 WHT

CONNECTS TO WIRE ASM-SLIDEOUT ROOM (SHT 5, D-3) (LOCATED BEHIND COUCH)

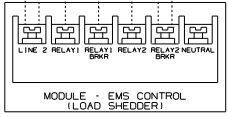
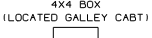
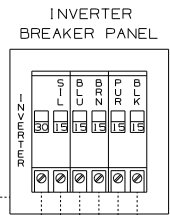
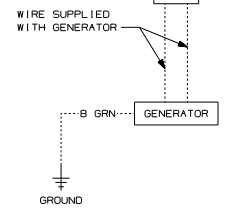
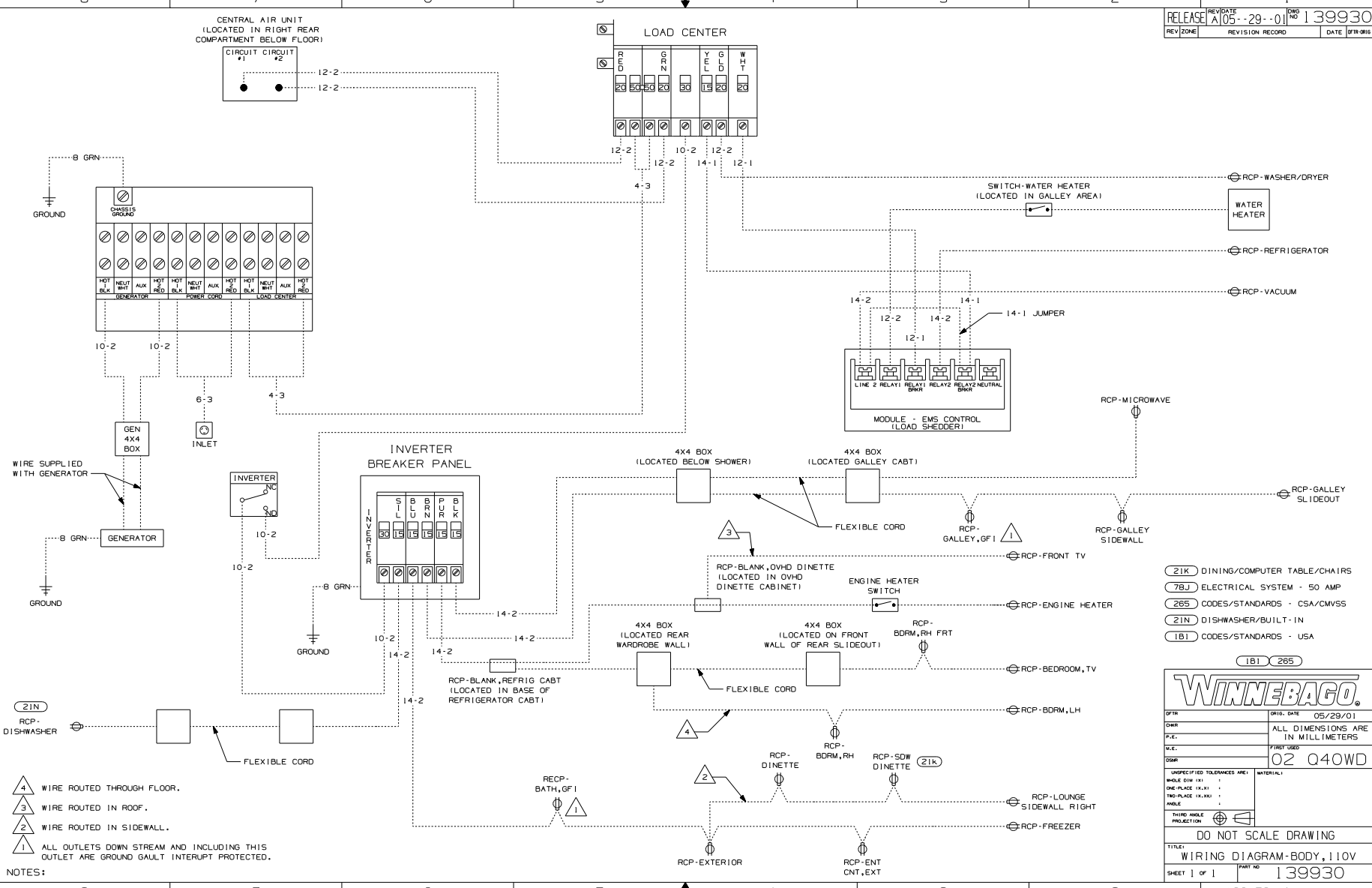
WIRING DIAGRAM-ROOF, CENTER (WIRE ASM 77093-15)

NOTES: 1. SEE MANUFACTURER'S DIAGRAM FOR ADDITIONAL INFORMATION.

FIRST USED	02 040WD
DO NOT SCALE DRAWING	
TITLE:	WIRING DIAGRAM-BODY, 12V
SHEET 9	PART NO 139926

CENTRAL AIR UNIT
 (LOCATED IN RIGHT REAR
 COMPARTMENT BELOW FLOOR)

LOAD CENTER



- (21K) DINING/COMPUTER TABLE/CHAIRS
- (78J) ELECTRICAL SYSTEM - 50 AMP
- (285) CODES/STANDARDS - CSA/CMVSS
- (21N) DISHWASHER/BUILT-IN
- (1B1) CODES/STANDARDS - USA

WINNEBAGO

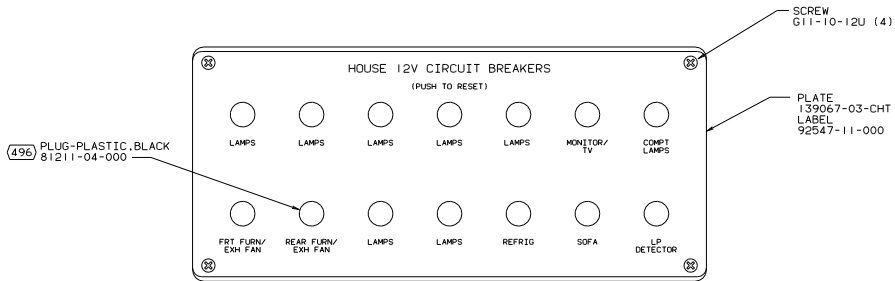
UNSPECIFIED TOLERANCES ARE:
 HOLE DIA (+.015)
 ONE-PLACE (+.01)
 TWO-PLACE (+.005)
 FINISH

THIRD ANGLE PROJECTION

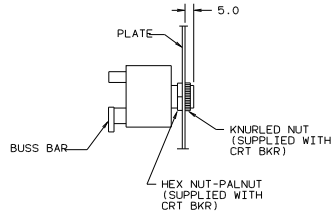
DO NOT SCALE DRAWING

TITLE: WIRING DIAGRAM-BODY, 110V
 SHEET 1 of 1 PART NO 139930

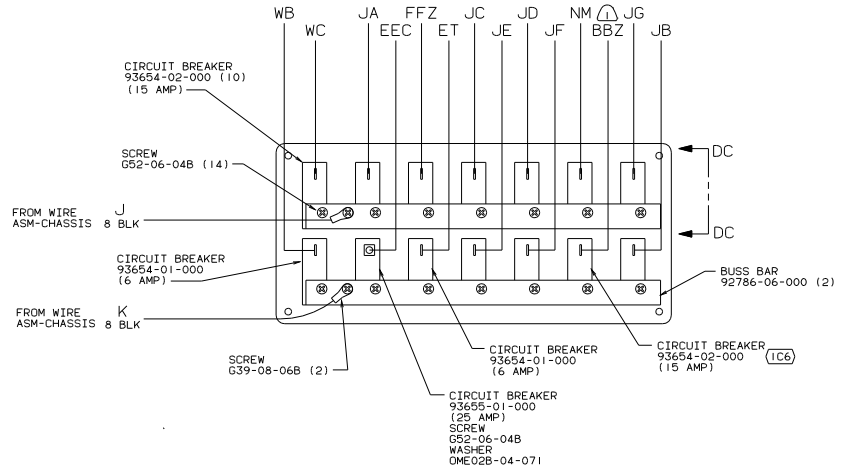
- NOTES:
- 4 WIRE ROUTED THROUGH FLOOR.
 - 3 WIRE ROUTED IN ROOF.
 - 2 WIRE ROUTED IN SIDEWALL.
 - 1 ALL OUTLETS DOWN STREAM AND INCLUDING THIS OUTLET ARE GROUND GAULT INTERRUPT PROTECTED.



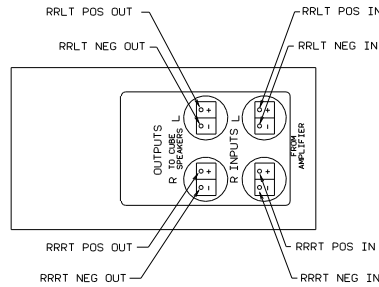
CIRCUIT BREAKER (FRONT VIEW)



SECTION DC-DC

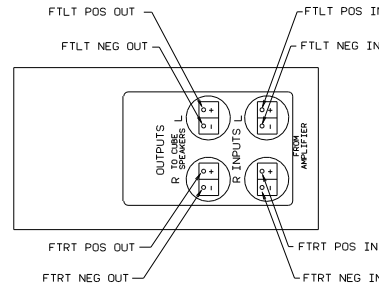


CIRCUIT BREAKER (BACK VIEW)



VIEW DB (SHT 3)

REAR BOSE WOOFER



VIEW DA (SHT 2)

FRONT BOSE WOOFER

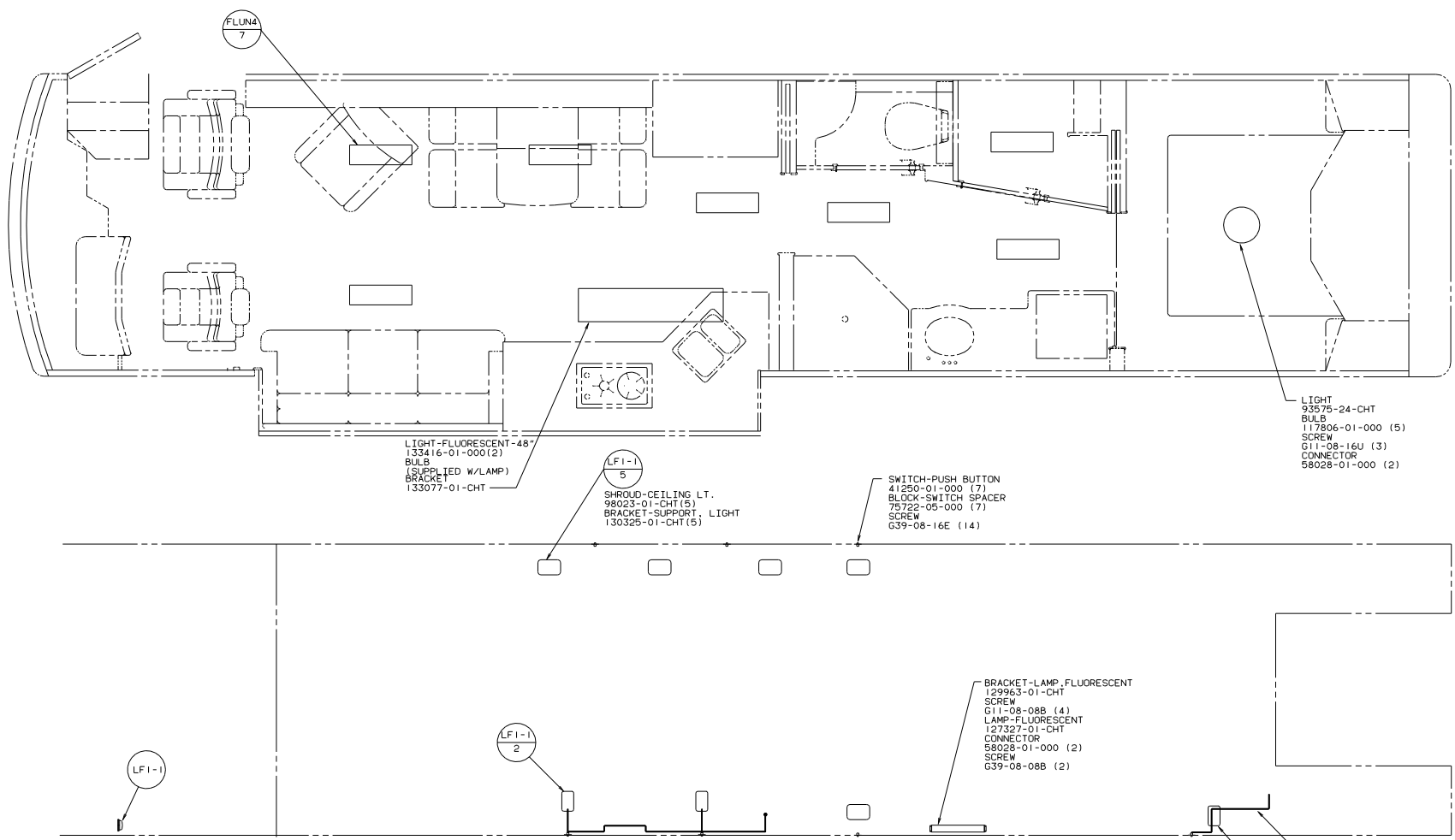
FOR ELECTRICAL TORQUE SPECIFICATIONS SEE DWG NO. 128783-01-000

- (496) FURNACE WITHOUT
- (1C6) FURNACE-25,000 BTU
- (265) CODES/STANDARDS-CSA/CMVSS
- (1B1) CODES/STANDARDS USA

02 Q40WD (1B1) 265

TITLE: WIRING INSTL-BODY, 12V(BP)

DO NOT SCALE DRAWING SHEET NO. 4 OF 6 I.F. NO. 139924



LIGHT-FLUORESCENT-48"
133416-01-000(2)
BULB
(SUPPLIED W/LAMP)
BRACKET
133077-01-CHT

LF1-1
5
SHROUD-CEILING LT.
98023-01-CHT(5)
BRACKET-SUPPORT, LIGHT
130325-01-CHT(5)

SWITCH-PUSH BUTTON
41250-01-000 (7)
BLOCK-SWITCH SPACER
75722-05-000 (7)
SCREW
G39-08-16E (14)

LIGHT
93575-24-CHT
BULB
117806-01-000 (5)
SCREW
G11-08-16U (3)
CONNECTOR
58028-01-000 (2)

BRACKET-LAMP, FLUORESCENT
129963-01-CHT
SCREW
G11-08-08B (4)
LAMP-FLUORESCENT
127327-01-CHT
CONNECTOR
58028-01-000 (2)
SCREW
G39-08-08B (2)

LF1-3
WIRE ASM-CHASSIS

LF1-1

LF1-1
2

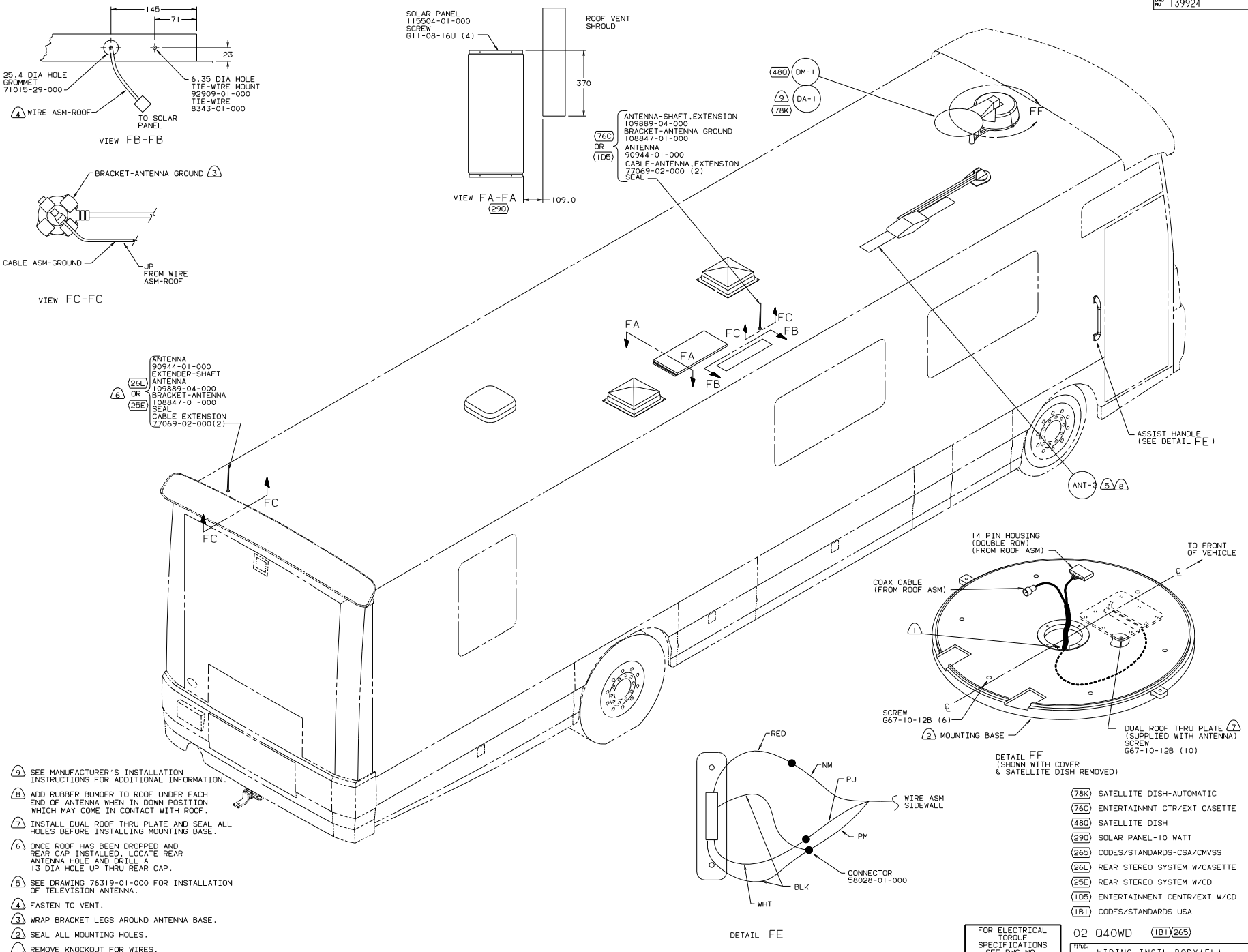
(265) CODES/STANDARDS-CSA/CMVSS
(181) CODES/STANDARDS USA

FOR ELECTRICAL TORQUE SPECIFICATIONS SEE DWG NO. 128783-01-000

(X-X)

FOR ELECTRICAL CALLOUTS SEE DWG NO. 121339-01-000

02 040WD (181)(265)
TITLE: WIRING INSTL-BODY,12V(CL)
DO NOT SCALE DRAWING SHEET 5 OF 6 I.F. NO. 139924



ANTENNA
90944-01-000
EXTENDER-SHAFT
ANTENNA
109889-04-000
BRACKET-ANTENNA
108847-01-000
SEAL
CABLE EXTENSION
77069-02-000 (2)

- (9) SEE MANUFACTURER'S INSTALLATION INSTRUCTIONS FOR ADDITIONAL INFORMATION.
- (8) ADD RUBBER BUMPER TO ROOF UNDER EACH END OF ANTENNA WHEN IN DOWN POSITION WHICH MAY COME IN CONTACT WITH ROOF.
- (7) INSTALL DUAL ROOF THRU PLATE AND SEAL ALL HOLES BEFORE INSTALLING MOUNTING BASE.
- (6) ONCE ROOF HAS BEEN DROPPED AND REAR CAP INSTALLED, LOCATE REAR ANTENNA HOLE AND DRILL A 13 DIA HOLE UP THRU REAR CAP.
- (5) SEE DRAWING 76319-01-000 FOR INSTALLATION OF TELEVISION ANTENNA.
- (4) FASTEN TO VENT.
- (3) WRAP BRACKET LEGS AROUND ANTENNA BASE.
- (2) SEAL ALL MOUNTING HOLES.
- (1) REMOVE KNOCKOUT FOR WIRES.

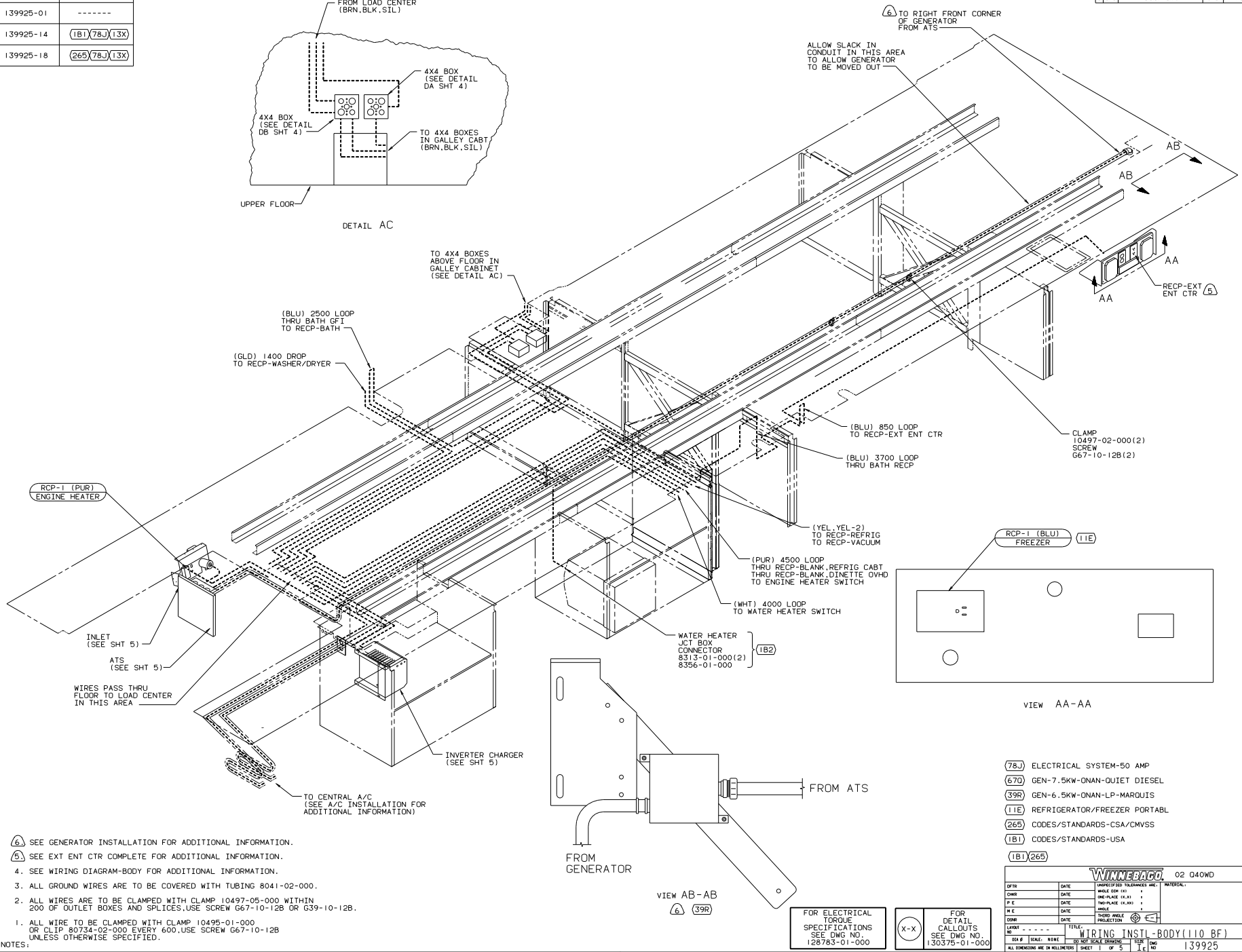
NOTES:

FOR ELECTRICAL TORQUE SPECIFICATIONS SEE DWG NO 128783-01-000

- (78K) SATELLITE DISH-AUTOMATIC
- (76C) ENTERTAINMENT CTR/EXT CASSETTE
- (480) SATELLITE DISH
- (290) SOLAR PANEL-10 WATT
- (265) CODES/STANDARDS-CSA/CMVSS
- (26L) REAR STEREO SYSTEM W/CASSETTE
- (25E) REAR STEREO SYSTEM W/CD
- (1D5) ENTERTAINMENT CENTR/EXT W/CD
- (1B1) CODES/STANDARDS USA

02 Q40WD (1B1)(265)
 TITLE: WIRING INSTL-BODY(EL)
 DO NOT SCALE DRAWING
 SHEET 6 OF 6 I E NO 139924

DWG NO.	FEATURE
139925-01	-----
139925-14	(181)(78J)(13X)
139925-18	(265)(78J)(13X)



DETAIL AC

UPPER FLOOR

VIEW AA-AA

VIEW AB-AB

- (78J) ELECTRICAL SYSTEM-50 AMP
- (670) GEN-7.5KW-ONAN-QUIET DIESEL
- (39R) GEN-6.5KW-ONAN-LP-MARQUIS
- (11E) REFRIGERATOR/FREEZER PORTAL
- (265) CODES/STANDARDS-CSA/CMVSS
- (1B1) CODES/STANDARDS-USA
- (1B1)(265)

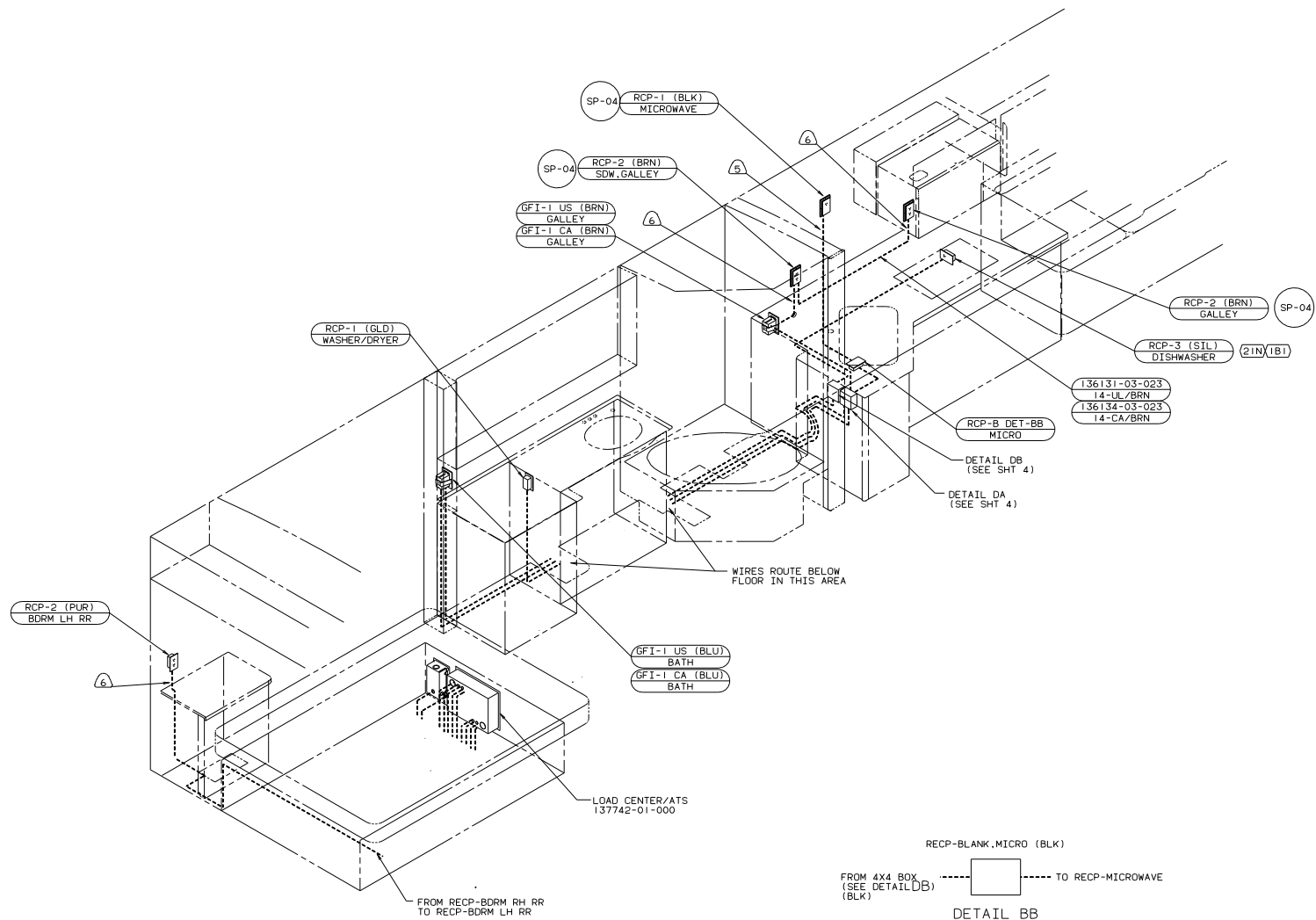
DATE		UNSPECIFIED TOLERANCES ARE:	MATERIAL
DATE	DATE	MAKE DIM (X.X)	
DATE	DATE	2ND-PLACE (X.XX)	
DATE	DATE	THIRD-PLACE (X.XXX)	
DATE	DATE	THIRD ANGLE PROJECTION	
WIRING INSTL-BODY(110 BF)			
DATE	SCALE	NO	NO
DATE	SCALE	NO	NO

- NOTES:
- ALL WIRE TO BE CLAMPED WITH CLAMP 10495-01-000 OR CLIP 80734-02-000 EVERY 600. USE SCREW G67-10-12B UNLESS OTHERWISE SPECIFIED.
 - ALL WIRES ARE TO BE CLAMPED WITH CLAMP 10497-05-000 WITHIN 200 OF OUTLET BOXES AND SPLICES. USE SCREW G67-10-12B OR G39-10-12B.
 - ALL GROUND WIRES ARE TO BE COVERED WITH TUBING 8041-02-000.
 - SEE WIRING DIAGRAM-BODY FOR ADDITIONAL INFORMATION.
 - SEE EXT ENT CTR COMPLETE FOR ADDITIONAL INFORMATION.
 - SEE GENERATOR INSTALLATION FOR ADDITIONAL INFORMATION.

FOR ELECTRICAL TORQUE SPECIFICATIONS SEE DWG NO. 128783-01-000

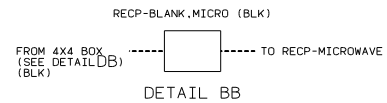
FOR DETAIL CALLOUTS SEE DWG NO. 130375-01-000





- 6. WIRE ROUTED IN SIDEWALL.
- 5. WIRE IN SIDEWALL.
- 4. SEE WIRING DIAGRAM-BODY FOR ADDITIONAL INFORMATION.
- 3. ALL GROUND WIRES ARE TO BE COVERED WITH TUBING 8041-02-000.
- 2. ALL WIRES ARE TO BE CLAMPED WITH CLAMP 10497-05-000 WITHIN 200 OF OUTLET BOXES AND SPLICES. USE SCREW G67-10-12B OR G39-10-12B.
- 1. ALL WIRE TO BE CLAMPED WITH CLAMP 10495-01-000 OR CLIP 80734-02-000 EVERY 600. USE SCREW G67-10-12B UNLESS OTHERWISE SPECIFIED.

NOTES:

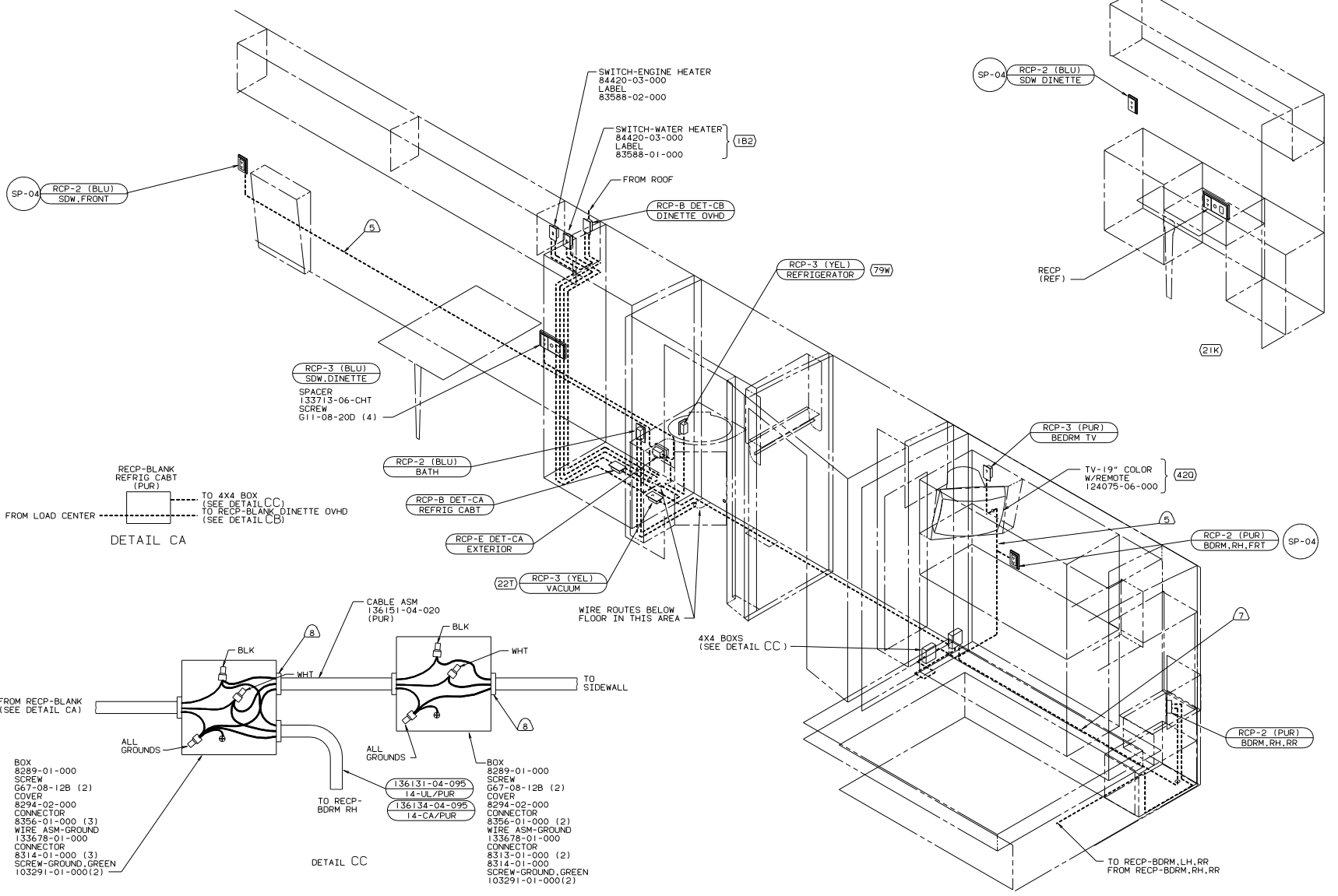


- 78J ELECTRICAL SYSTEM-50 AMP
- 54E WASHER/DRYER
- 21N DISHWASHER/BUILT-IN
- 26B CODES/STANDARDS-CSA/CMVSS
- 1B1 CODES/STANDARDS USA

FOR ELECTRICAL TORQUE SPECIFICATIONS SEE DWG NO. 128783-01-000

FOR ELECTRICAL CALLOUTS SEE DWG NO. 121339-01-000

02 Q40WD (1B1)265(78J)
 TITLE: WIRING INSTL-BODY(110L50)
 DWG NO: 139925
 SHEET 2 OF 5



SP-04 RCP-2 (BLU) SDW. FRONT

SWITCH-ENGINE HEATER
84420-03-000
LABEL
83588-02-000

SWITCH-WATER HEATER
84420-03-000
LABEL
83588-01-000 (1B2)

FROM ROOF
RCP-B DET-CB
DINETTE OVHD

RCP-3 (YEL) REFRIGERATOR (79W)

RCP-3 (BLU) SDW. DINETTE
SPACER
133713-06-CHT
SCREW
G11-08-20D (4)

RCP-3 (PUR) BEDRM TV

TV-19" COLOR W/REMOTE
124075-06-000 (420)

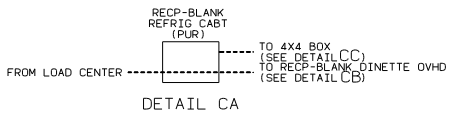
RCP-2 (BLU) BATH

RCP-B DET-CA REFRIG CABT

RCP-E DET-CA EXTERIOR

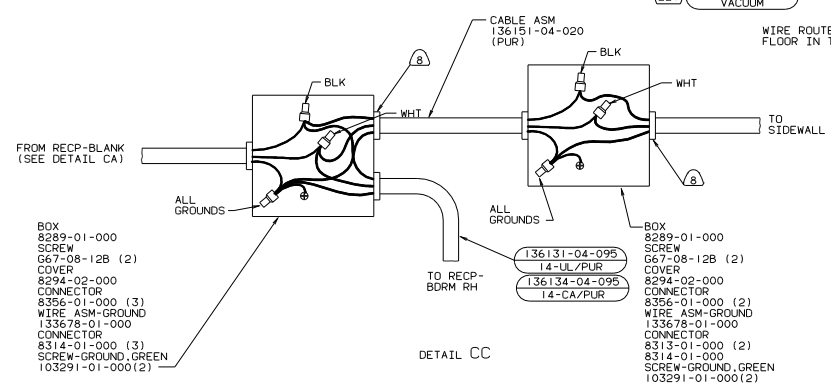
RCP-3 (YEL) VACUUM (22T)

RCP-2 (PUR) BDRM. RH, FRT SP-04



WIRE ROUTES BELOW FLOOR IN THIS AREA

4X4 BOXES (SEE DETAIL CC)



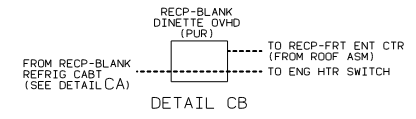
RCP-2 (PUR) BDRM. RH, RR

TO RECP-BDRM, LH, RR
FROM RECP-BDRM, RH, RR

- (8) CONNECTIONS MADE DURING INSTALLATION.
- (7) ROUTE WIRE THRU FLOOR.
- (6) WIRE ROUTED IN SIDEWALL.
- (5) WIRE IN SIDEWALL.

4. SEE WIRING DIAGRAM-BODY.110V FOR ADDITIONAL INFORMATION.
3. ALL GROUND WIRES ARE TO BE COVERED WITH TUBING 8041-02-000.
2. ALL WIRES ARE TO BE CLAMPED WITH CLAMP 10497-05-000 WITHIN 200 OF OUTLET BOXES AND SPLICES. USE SCREW G67-10-12B OR G39-10-12B.
1. ALL WIRE TO BE CLAMPED WITH CLAMP 10495-01-000 OR CLIP 80734-02-000 EVERY 600. USE SCREW G67-10-12B UNLESS OTHERWISE SPECIFIED.

NOTES:

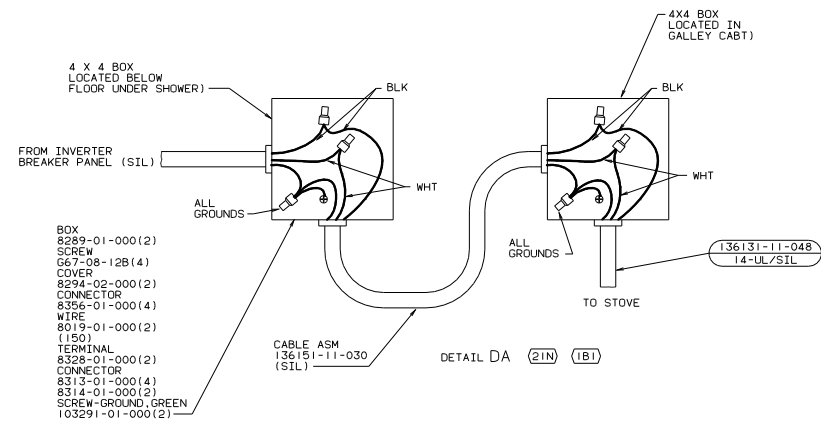
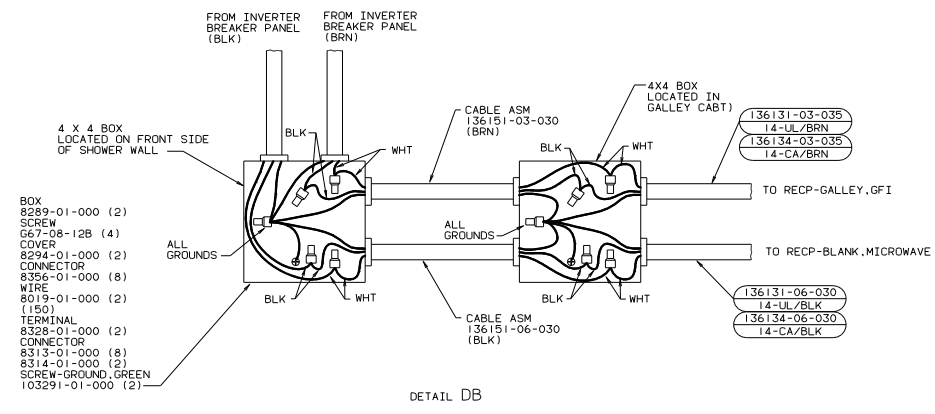


- (420) TV-19" WITH REMOTE
- (1B2) WTR HTR-10GAL/ELEC/LP/MTR/IAID
- (79W) REFRIGERATOR-4 DOOR
- (78J) ELECTRICAL SYSTEM-50 AMP
- (22T) VACUUM SYSTEM-CENTRAL
- (26B) CODES/STANDARDS-CSA/CMVSS
- (1B1) CODES/STANDARDS USA

FOR ELECTRICAL TORQUE SPECIFICATIONS SEE DWG NO. 128783-01-000

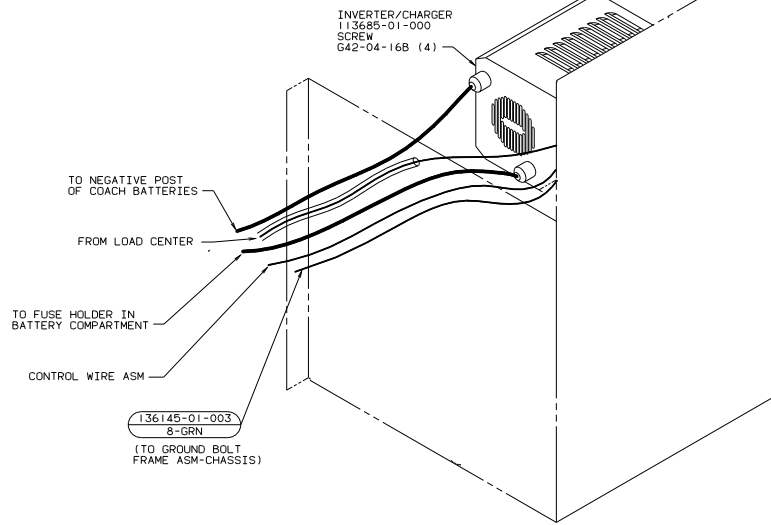
FOR ELECTRICAL CALLOUTS SEE DWG NO. 121339-01-000

02 40WD (1B1)(26B)(78J)
WIRING INSTL-BODY(110R50)
DWG NO 139925
PAGE 3 OF 5

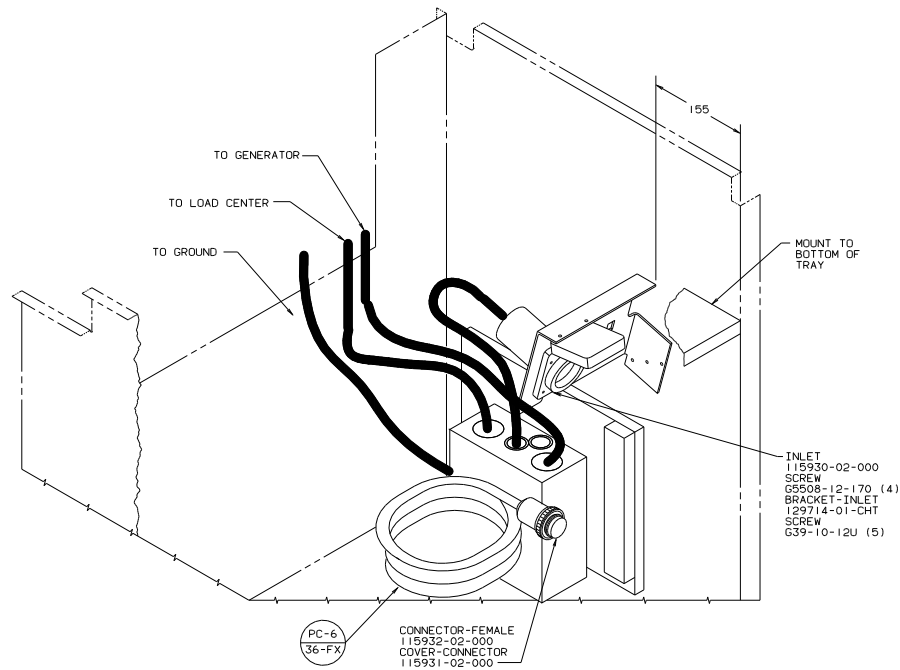


(78J) ELECTRICAL SYSTEM-50 AMP
 (265) CODES/STANDARDS-CSA/CMVSS
 (21N) DISHWASHER/BUILT-IN
 (1B1) CODES/STANDARDS USA

TITLE	WIRING INSTL-BODY
DO NOT SCALE DRAWING	SIZE 1/8"
SHEET 4 OF 5	DWG NO 139925



INVERTER/CHARGER 3 4



4. CONNECT ROMEX FROM MAIN LOAD CENTER TO AC INPUT AND ROMEX TO SMALL SUB PANEL TO AC OUTPUT. USE WIRE NUTS AND STRAIN RELIEF CONNECTORS SUPPLIED WITH INVERTER/CHARGER. CONNECT REMOTE PANEL CONTROL CABLE TO CONNECTION ON BASE OF INVERTER/CHARGER.

3. ALL 110V STRANDED WIRE W/O TERMINALS TO BE STRIPPED 10MM AND SOLDER DIPPED.

2. GROUND WIRES NOT SHOWN FOR CLARITY.

1. ALL WIRES TO BE CLAMPED WITHIN 200 OF BOX.

NOTES:

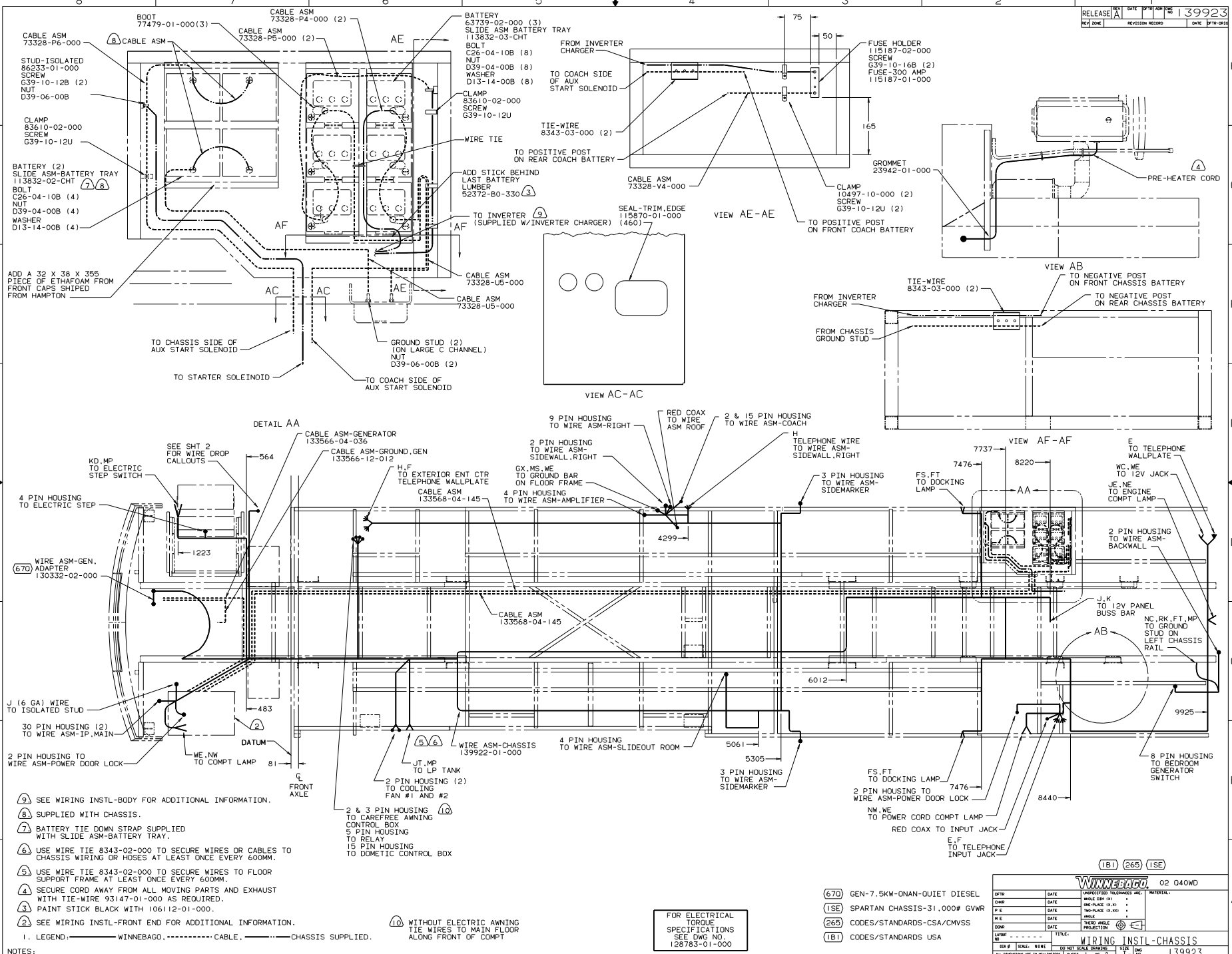
- (78J) ELECTRICAL SYSTEM-50 AMP
- (670) GEN-7.5KW-ONAN-QUIET DIESEL
- (39R) GEN-6.5KW-ONAN-LP-MARQUIS
- (13X) INVERTER/CHARGER 2.0 KW
- (26B) CODES/STANDARDS-CSA/CMVSS
- (1B1) CODES/STANDARDS USA

02 040WD (1B1)265(78J)

FOR ELECTRICAL TORQUE SPECIFICATIONS SEE DWG NO. 128783-01-000

FOR ELECTRICAL CALLOUTS SEE DWG NO. 121339-01-000

TITLE: WIRING INSTL-BODY(A1S)
 DO NOT SCALE DRAWING SHEET 5 OF 5 I.F. NO. 139925



- (3) SEE WIRING INSTL-BODY FOR ADDITIONAL INFORMATION.
 (8) SUPPLIED WITH CHASSIS.
 (7) BATTERY TIE DOWN STRAP SUPPLIED WITH SLIDE ASM-BATTERY TRAY.
 (6) USE WIRE TIE 8343-02-000 TO SECURE WIRES OR CABLES TO CHASSIS WIRING OR HOSES AT LEAST ONCE EVERY 600MM.
 (5) USE WIRE TIE 8343-02-000 TO SECURE WIRES TO FLOOR SUPPORT FRAME AT LEAST ONCE EVERY 600MM.
 (4) SECURE CORD AWAY FROM ALL MOVING PARTS AND EXHAUST WITH TIE-WIRE 93147-01-000 AS REQUIRED.
 (3) PAINT STICK BLACK WITH 106112-01-000.
 (2) SEE WIRING INSTL-FRONT END FOR ADDITIONAL INFORMATION.
1. LEGEND: WINNEBAGO, ----- CABLE, ----- CHASSIS SUPPLIED.

(10) WITHOUT ELECTRIC AWNING TIE WIRES TO MAIN FLOOR ALONG FRONT OF COMPT

FOR ELECTRICAL TORQUE SPECIFICATIONS SEE DWG NO. 128783-01-000

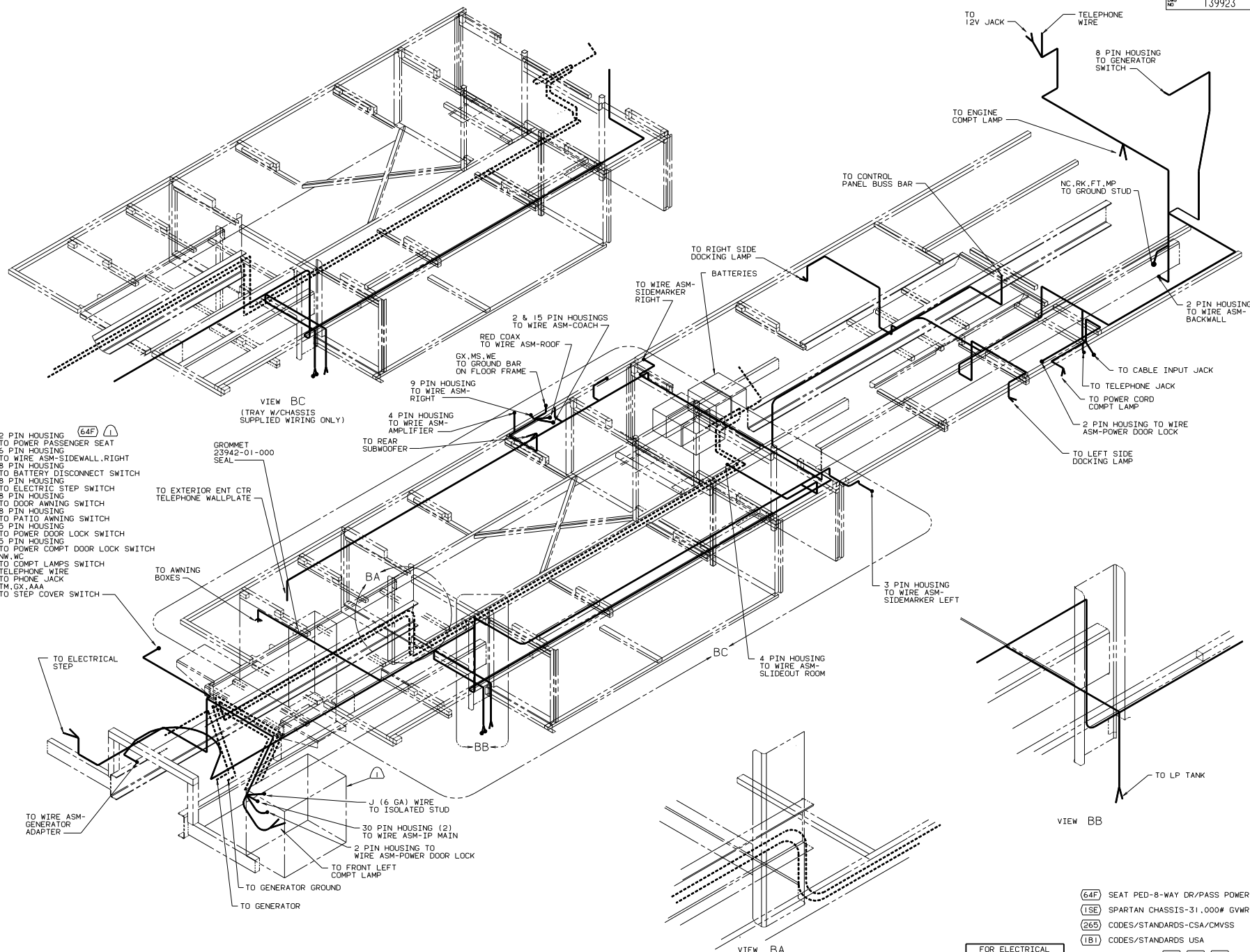
- (670) GEN-7.5KW-ONAN-QUIET DIESEL
 (150) SPARTAN CHASSIS-31.000# GVWR
 (265) CODES/STANDARDS-CSA/CMVSS
 (161) CODES/STANDARDS USA

(161) (265) (150)

WINNEBAGO 02 040WD

DATE	UNDESIGNED TRANSMISSION	MATERIAL
DATE	MADE (OR BUY)	
DATE	ONE-PLACE (OR BUY)	
DATE	TWO-PLACE (OR BUY)	
DATE	THIRD PLACE	
DATE	INDUSTRIAL	

DRAWING NO. _____ TITLE: **WIRING INSTL-CHASSIS**
 139923
 SHEET 1 OF 2



- 2 PIN HOUSING (64F) ①
- TO POWER PASSENGER SEAT
- 6 PIN HOUSING
- TO WIRE ASM-SIDEWALL, RIGHT
- 8 PIN HOUSING
- TO BATTERY DISCONNECT SWITCH
- 8 PIN HOUSING
- TO ELECTRIC STEP SWITCH
- 8 PIN HOUSING
- TO DOOR AWNING SWITCH
- 8 PIN HOUSING
- TO PATIO AWNING SWITCH
- 5 PIN HOUSING
- TO POWER DOOR LOCK SWITCH
- 5 PIN HOUSING
- TO POWER COMPT DOOR LOCK SWITCH
- NW, WC
- TO COMPT LAMPS SWITCH
- TELEPHONE WIRE
- TO PHONE JACK
- TM, GX, AAA
- TO STEP COVER SWITCH

① SEE WIRING INSTL-FRONT END FOR ADDITIONAL INFORMATION.

FOR ELECTRICAL TORQUE SPECIFICATIONS SEE DWG NO 128783-01-000

- (64F) SEAT PED-8-WAY DR/PASS POWER
- (1SE) SPARTAN CHASSIS-31,000# GVWR
- (26B) CODES/STANDARDS-CSA/CMVSS
- (1B1) CODES/STANDARDS USA

02 Q40WD (1B1) (26B) (1SE)
 TITLE: WIRING INSTL-CHASSIS
 SHEET 2 OF 2 I.F. NO 139923

		8	7	6	5	4	3	2	1	
		036C	038K	040E	040J	040JO	040WD			
D	RED	12-UL 136135-07-101	136135-07-100	136135-07-065	136135-07-094	136135-07-094	136135-07-064			
		12-CA 136136-07-101	136136-07-100	136136-07-065	136136-07-094	136136-07-094	136136-07-064			
D	MAIN	6-3 UL 136139-01-073	136139-01-068	136139-01-070	136139-01-070			
		6-3 CA 136140-01-073	136140-01-068	136140-01-070	136140-01-070	(39R)		
		4-3 UL 136141-01-073	136141-01-068	136141-01-070	136141-01-070	136141-01-070	136141-01-070	(670)		
		4-3 CA 136142-01-073	136142-01-068	136142-01-070	136142-01-070	136142-01-070	136142-01-070			
D	GRN	12-UL 136135-08-101	136135-08-100	136135-08-065	136135-08-094	136135-08-094	136135-08-064			
		12-CA 136136-08-101	136136-08-100	136136-08-065	136136-08-094	136136-08-094	136136-08-064			
D	INVERTER CHARGER MAIN	10-UL 136137-01-063	136137-01-075	136137-01-040	136137-01-075	136137-01-075	136137-01-035			
		10-CA 136138-01-063	136138-01-075	136138-01-040	136138-01-075	136138-01-075	136138-01-035			
C	YEL	14-UL 136131-05-048	136131-05-065	136131-05-095	136131-05-070	136131-05-070	136131-05-080			
		14-CA 136134-05-048	136134-05-065	136134-05-095	136134-05-070	136134-05-070	136134-05-080			
C	YEL-2	14-UL 136131-05-053	136131-05-065	136131-05-095	136131-05-070	136131-05-070	136131-05-080	(22T)		
		14-CA 136134-05-053	136134-05-065	136134-05-095	136134-05-070	136134-05-070	136134-05-080			
C	GLD	12-UL 136135-10-067	136135-10-035	136135-10-075	136135-10-035	136135-10-035	136135-10-060			
		12-CA 136136-10-067	136136-10-035	136136-10-075	136136-10-035	136136-10-035	136136-10-060	(54E)		
C	WHT	12-2 UL 136135-09-169	136135-09-160	136135-09-163	136135-09-210	136135-09-210	136135-09-140			
		12-2 CA 136136-09-169	136136-09-160	136136-09-163	136136-09-210	136136-09-210	136136-09-140			
C	INVERTER CHARGER SUB MAIN	10-UL 136137-01-067	136137-01-075	136137-01-040	136137-01-075	136137-01-075	136137-01-035			
		10-CA 136138-01-067	136138-01-075	136138-01-040	136138-01-075	136138-01-075	136138-01-035			
C	BLU	14-UL 136131-02-145	136131-02-175	136131-02-300	136131-02-206	136131-02-206	136131-02-200			
		14-CA 136134-02-145	136134-02-175	136134-02-300	136134-02-206	136134-02-206	136134-02-200			
B	BRN	14-UL 136131-03-029	136131-03-112	136131-03-085	136131-03-070	136131-03-070	136131-03-057			
		14-CA 136134-03-029	136134-03-112	136134-03-085	136134-03-070	136134-03-070	136134-03-057			
B	PUR	14-UL 136131-04-095	136131-04-063	136131-04-300	136131-04-063	136131-04-063	136131-04-245			
		14-CA 136134-04-095	136134-04-063	136134-04-300	136134-04-063	136134-04-063	136134-04-245			
B	BLK	14-UL 136131-06-085	136131-06-057	136131-06-085	136131-06-046	136131-06-046	136131-06-057			
		14-CA 136134-06-085	136134-06-057	136134-06-085	136134-06-046	136134-06-046	136134-06-057	(21N)		
B	SIL	136131-11-060	136131-11-085	136131-11-046	136131-11-046	136131-11-057			
	GROUND MAIN	136145-01-030	136145-01-030	136145-01-040	136145-01-030	136145-01-030	136145-01-037			
B	GROUND SUB MAIN	136145-01-030	136145-01-030	136145-01-040	136145-01-030	136145-01-030	136145-01-037			
	GROUND ATS	136145-01-040	136145-01-040	136145-01-040	136145-01-040	136145-01-040	136145-01-040			
A	CABLE ASM. GEN.	136148-01-120	136148-01-125	136148-01-123	(39R)		
		136148-02-120	136148-02-125	136148-02-123	136148-02-123	136148-02-123	136148-02-123	(670)		
A	INLET	136139-01-008	136139-01-008	136139-01-008	136139-01-008	136139-01-008	136139-01-008			

- (21N) DISHWASHER/BUILT-IN
- (670) GEN-7,5KW-ONAN-QUIET DIESEL
- (54E) WASHER/DRYER
- (39R) GEN-6,5KW-ONAN-LP-MARQUIS
- (265) CODES/STANDARDS - CSA/CMSS
- (22T) VACUUM SYSTEM - CENTRAL
- (1B1) CODES/STANDARDS - USA

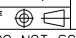
(1B1) (265)

WINNERBAGO

DTR	ORIG. DATE	11/02/00
DWR	ALL DIMENSIONS ARE IN MILLIMETERS	
P.E.		
M.E.	FIRST USED	
DWR	02 Q-SERIES	

UNSPECIFIED TOLERANCES ARE:

HOLES DIA (X...)	± .1	MATERIAL:
ONE-PLACE (X...)	± .15	
TWO-PLACE (X...)	± 0.50	
FINISH	± .1"	

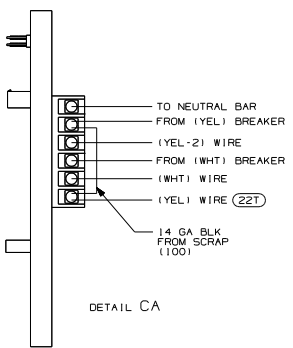
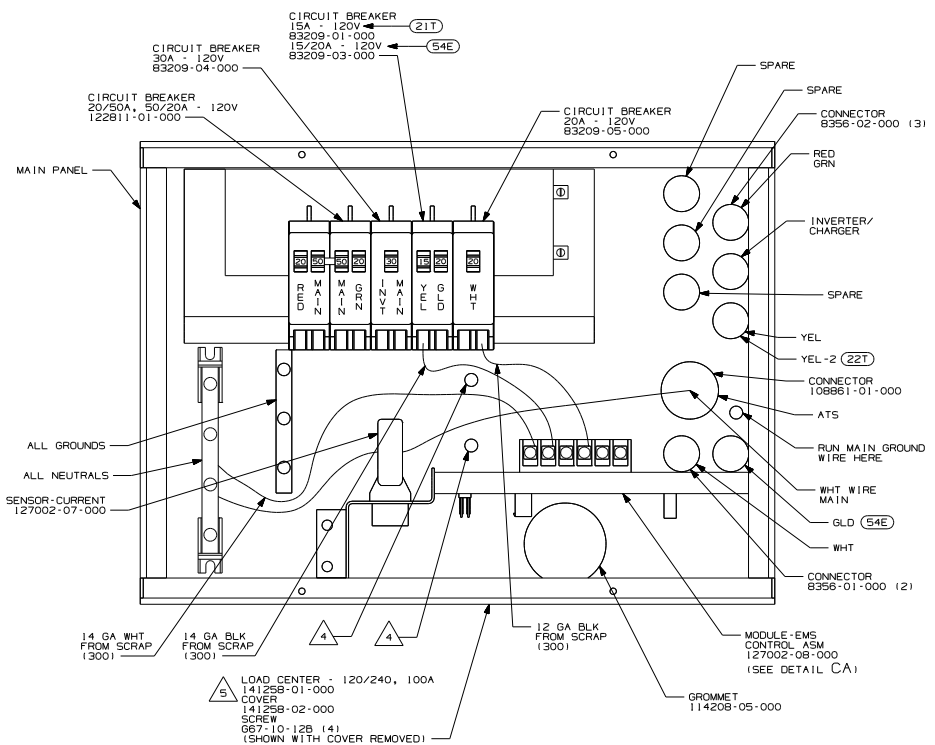
THIRD ANGLE PROJECTION 

DO NOT SCALE DRAWING

TITLE: **LOAD CENTER/ATS ASM**

SHEET 1 of 3 PART NO 137742

REF: NONE 1 PAGE 177



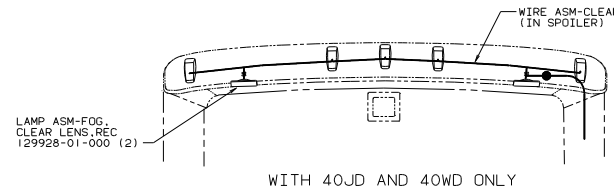
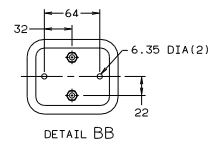
- NOTES:
- 5 AFTER 01-07-02.
 - 4 INSTALLED BY LINE.
 - 3 ATTACH WIRES ON BACK OF LOAD CENTER WITH WIRE TIE 116673-01-000.
2. ALL WIRES ARE TO BE 500MM INSIDE OF BOX.
 1. ALL GROUND WIRES TO BE COVERED WITH TUBING 8041-02-000.

- (21N) DISHWASHER/BUILT-IN
- (670) GEN-7.5KW-ONAN-QUIET DIESEL
- (54E) WASHER/DRYER
- (39R) GEN-6.5KW-ONAN-LP-MAROUIS
- (265) CODES/STANDARDS - CSA/CMVSS
- (22T) VACUUM SYSTEM - CENTRAL
- (21T) WASHER/DRYER - WITHOUT
- (1B1) CODES/STANDARDS USA
- (1B1) 265

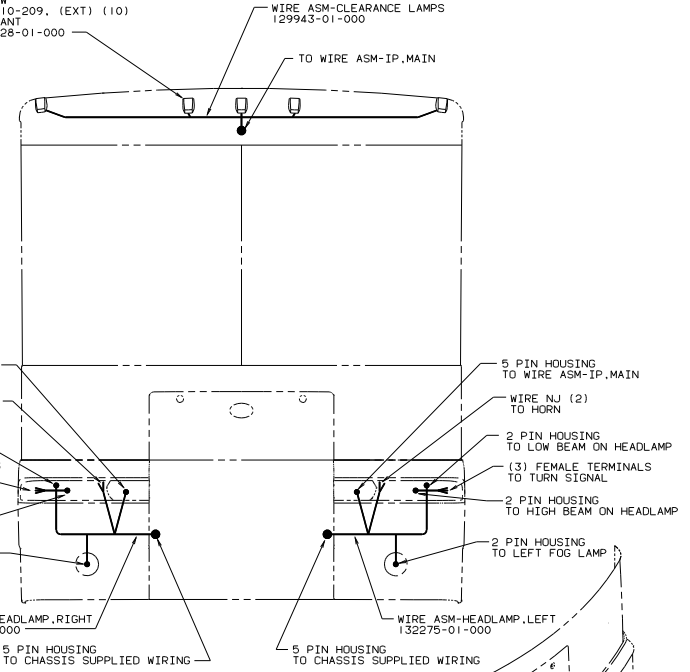
FOR ELECTRICAL TORQUE SPECIFICATIONS SEE DWG NO. 126783-01-000

(X-X) FOR ELECTRICAL CALLOUTS SEE DWG NO. 121338-01-000

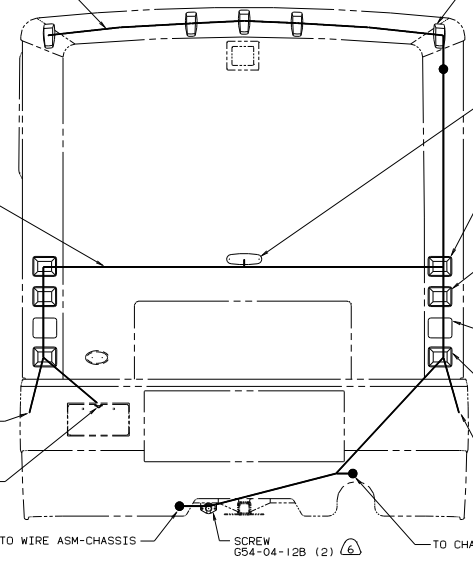
FIRST USED		02 0-SERIES	
DO NOT SCALE DRAWING			
TITLE: LOAD CENTER/ATS ASM			
SHEET 3	PART NO		137742



- ③ LAMP-CLEARANCE AMBER
129942-01-000 (5)
SCREW
G39-10-209. (EXT) (10)
SEALANT
107828-01-000



- WIRE ASM-CLEARANCE LAMPS, RR
129365-02-000



- LAMP ASM-CLEARANCE, RED
129942-02-000 (5)
SCREW
G39-08-16T (EXT) (10)
RIVET
H14-06-14R (10)
SEALANT
107828-01-000

- LAMP-BRAKE, CENTER
136917-01-000
SCREW
G39-06-16T (2)
BLK/WHT TO YEL
BLK TO WHT

- LAMP-STOP/PARK
124186-03-000 (2)
SCREW
G39-10-12U (EXT) (2)
BULB
124234-01-000 (2)

- LAMP-TURN
124186-02-000 (2)
SCREW
G39-10-12U (EXT) (2)
BULB
124220-01-000 (2)

- REFLECTOR
124186-04-000 (2)
SCREW
G39-10-12U (EXT) (2)

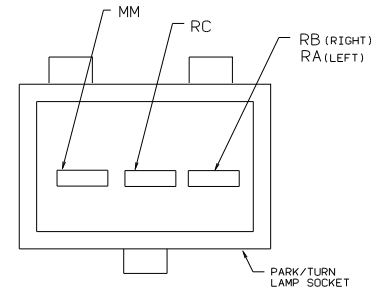
- LAMP-BACKUP
124186-01-000 (2)
SCREW
G39-10-12U (EXT) (4)
BULB
124220-01-000 (2)

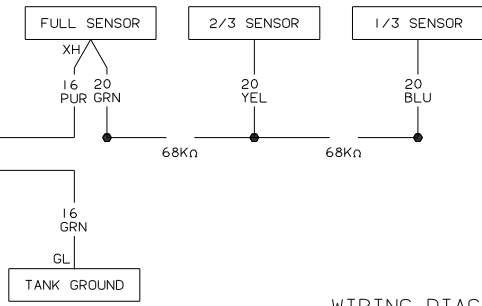
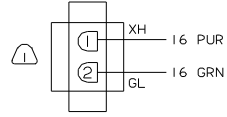
- ⑥ CONNECTOR-PLUG, TRAILER (113589-01-000) TO BE SUPPLIED IN COACH.
- ⑤ CONNECT WIRES FROM WIRE ASM-HEADLAMP AS SHOWN TO PARK TURN LAMP SOCKET, THEN FILL WITH HOT MELT GLUE.
- ④ MOUNT TO PARKLAMP LOOSE. WHEN LIGHT IS POSITIONED PROPERLY IN OPENING TIGHTEN ALL FASTENERS.
- ③ THE LIGHT MUST BE POSITIONED WITH THE WORD "REAR" ON THE BASE FACING REARWARD.
- ② REMOVE EXISTING NUTS FROM LAMP ASM AND DO NOT USE. DRILL TWO PILOT HOLES IN BASE OF LAMP. USE NEW SCREWS TO ATTACH. SEE DETAIL BB.
- ① THE LIGHT MUST BE POSITIONED WITH THE WORD "REAR" ON THE BASE FACING FORWARD.

- LAMP ASM-FOG
130051-01-000 (RH)
130051-02-000 (LH)
BOLT
G26-06-12B (4)
NUT
D39-06-008 (4)
- LAMP ASM-PARK/TURN
124161-01-000 RH
124161-02-000 LH
BOLT
128053-01-000(2)
SPACER
98842-51-003(2)

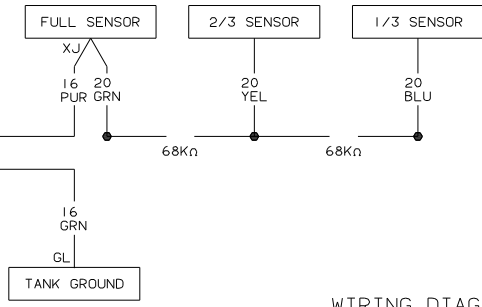
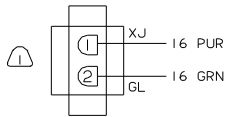
- HEADLAMP ASM
W/HALOGEN BULB
129927-01-000 (RH)
129927-02-000 (LH)
CLIP
124163-01-000 (6)

- BRKT ASM-PARKLAMP
135879-02-CHT(RH)
135879-03-CHT(LH)
NUT
D39-04-00B(2)

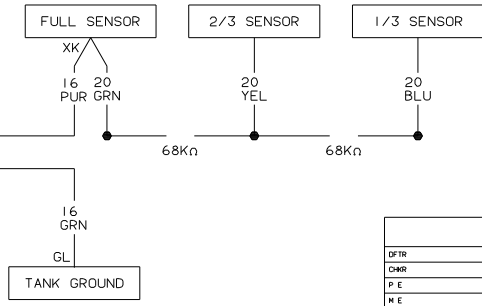
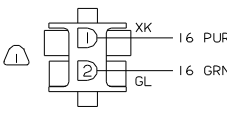




WIRING DIAGRAM-TANK , WATER
(WIRE ASM 96449)



WIRING DIAGRAM-TANK , MAIN HOLDING
(WIRE ASM 96450)



WIRING DIAGRAM-TANK , AUX HOLDING
(WIRE ASM 96451)

WINNEBAGO 93 MOTORHOMES

DFTR	DATE	UNSPECIFIED TOLERANCES ARE:	MATERIAL:
CHR	DATE	WHOLE DIM (XX)	
P E	DATE	ONE-PLACE (X.XX)	
M E	DATE	TWO-PLACE (X.XXX)	
QDR	DATE	ANGLE	
		THIRD ANGLE PROJECTION	

LAYOUT NO. _____ TITLE: **WIRING DIAGRAM-HOLDING TANKS**

DIA # SCALE: NONE DO NOT SCALE DRAWING SIZE: QWG 110664

ALL DIMENSIONS ARE IN MILLIMETERS SHEET 1 OF 1 I.D. NO.

NOTES:
① SEE WIRING DIAGRAM-BODY FOR ADDITIONAL INFORMATION.

LA OR MA

LA OR MA

- PLATE-COAX 13406-01-CHT
- LABEL-SAT 13425-01-CHT
- ADAPTER 82134-01-000 (2)
- NUT 82136-01-000 (2)
- SCREW 667-10-08U (2)

- (25F) DVD PLAYER 136764-02-000
- FASTENER-DUAL LOCK 85774-01-000
- 85774-02-000

- (72M) VCR_STEREO 124073-11-000
- FASTENER-DUAL LOCK 85774-01-000
- 85774-02-000

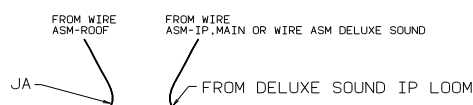
- (20C) (42Z) TV 25" STEREO 130121-06-000
- (21V) (42E) TV 27" STEREO 136162-01-000

- (20C) SPEAKER 124883-03-000
- GRILLE 124883-04-000
- SCREW 611-08-08B (4)

- (35P) CONTROL CENTER SWITCHING 86757-04-000
- FASTENER-DUAL LOCK 85774-01-000 (220) (2)
- 85774-02-000 (220) (2)

- SWITCH 89308-01-CHT
- PLATE-SWITCH 98351-16-CHT
- SCREW 611-06-10J (2)
- (SEE DETAIL EA)

- PLATE-WALL ANTENNA 86784-03-CHT (193)



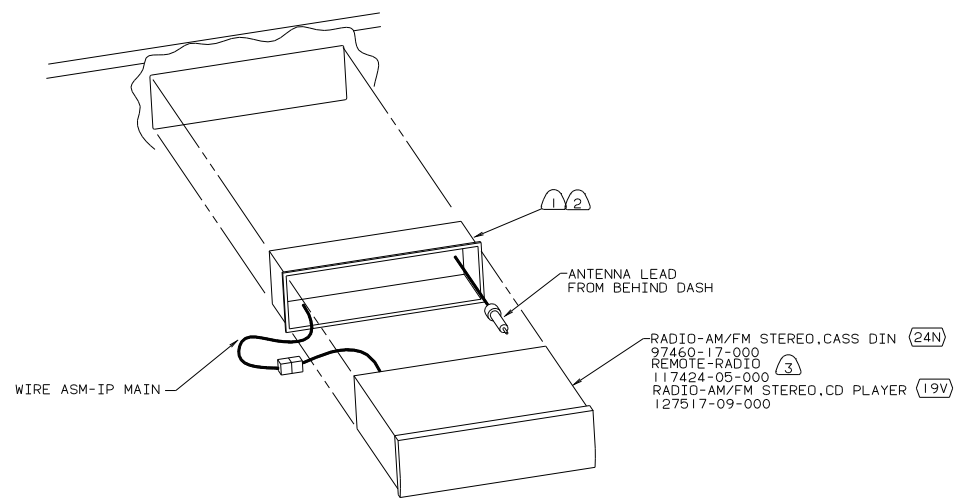
DETAIL EA

- (21V) SOUND SYSTEM DELUXE
- (20C) SOUND SYS. DLX. W/O-SURROUND
- (42E) TV-27" COLOR, STEREO W/REMOTE
- (25F) DIGITAL VIDEO DISC PLAYER
- (78K) SATELLITE DISH-AUTOMATIC
- (72M) VCR-STEREO
- (42Z) TV-25" COLOR STEREO
- (35P) VIDEO SELECTION SYSTEM
- (193) TV ANTENNA

FOR DETAIL CALLOUTS SEE DWG NO. 130375-01-000

(X-X)

NOTES: ADVANTAGE UNITS ONLY.



- (3) REMOTE IS SUPPLIED WITH RADIO.
- (2) BEND TABS ON ALL 4 SIDES TO SECURE MOUNTING BRACKET TO DASH OPENING.
- (1) SUPPLIED WITH RADIO.

NOTES:

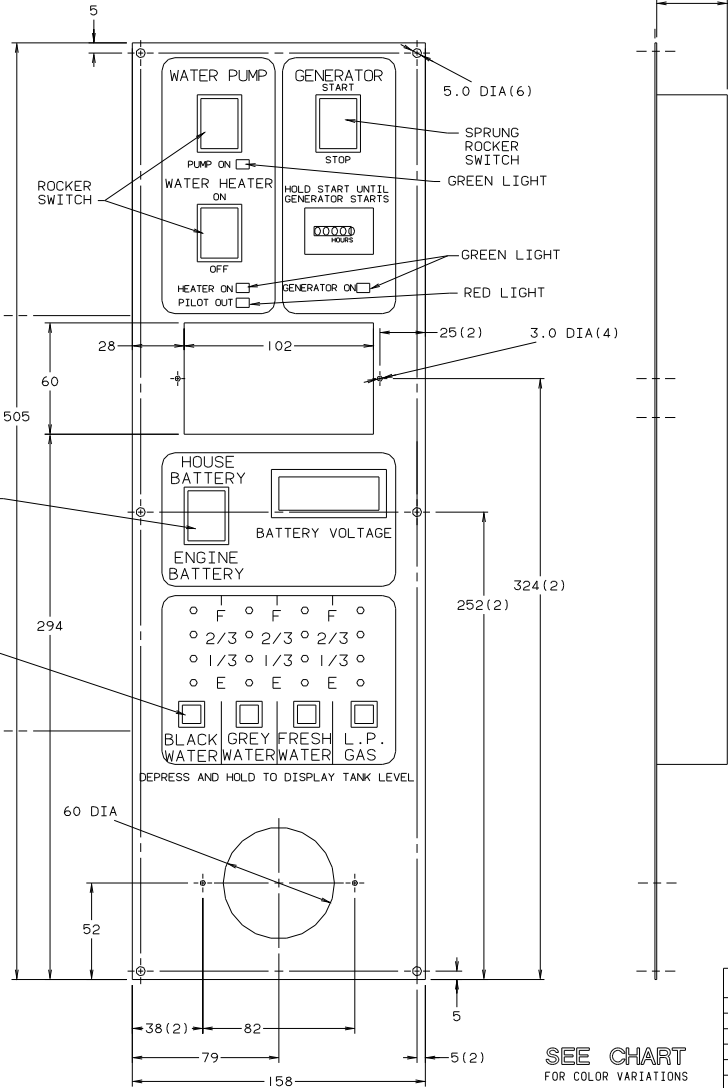
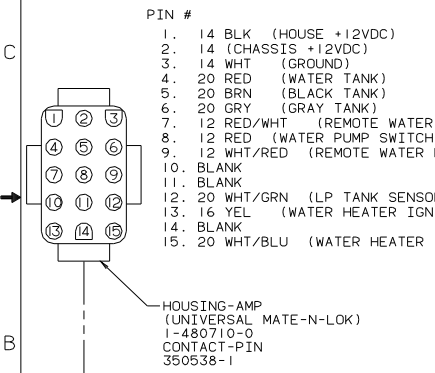
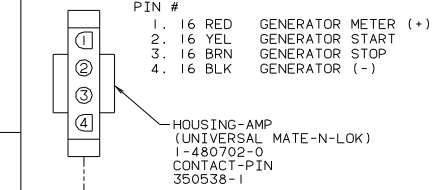
- (24N) RADIO-AM/FM/CASSETTE
- (19V) RADIO-AM/FM STEREO CD PLAYER

Q-SERIES

TITLE:		RADIO INSTL	
DO NOT SCALE DRAWING	SHEET 6 OF 7	SIZE	DWG NO 137566
		ID	

DWG NO	SHEET	DESCRIPTION
I33004-01	1	W/O SOLAR PANEL LIGHT
I33004-02	2	WITH SOLAR PANEL LIGHT
I33004-03	3	WITH SOLAR PANEL LIGHT

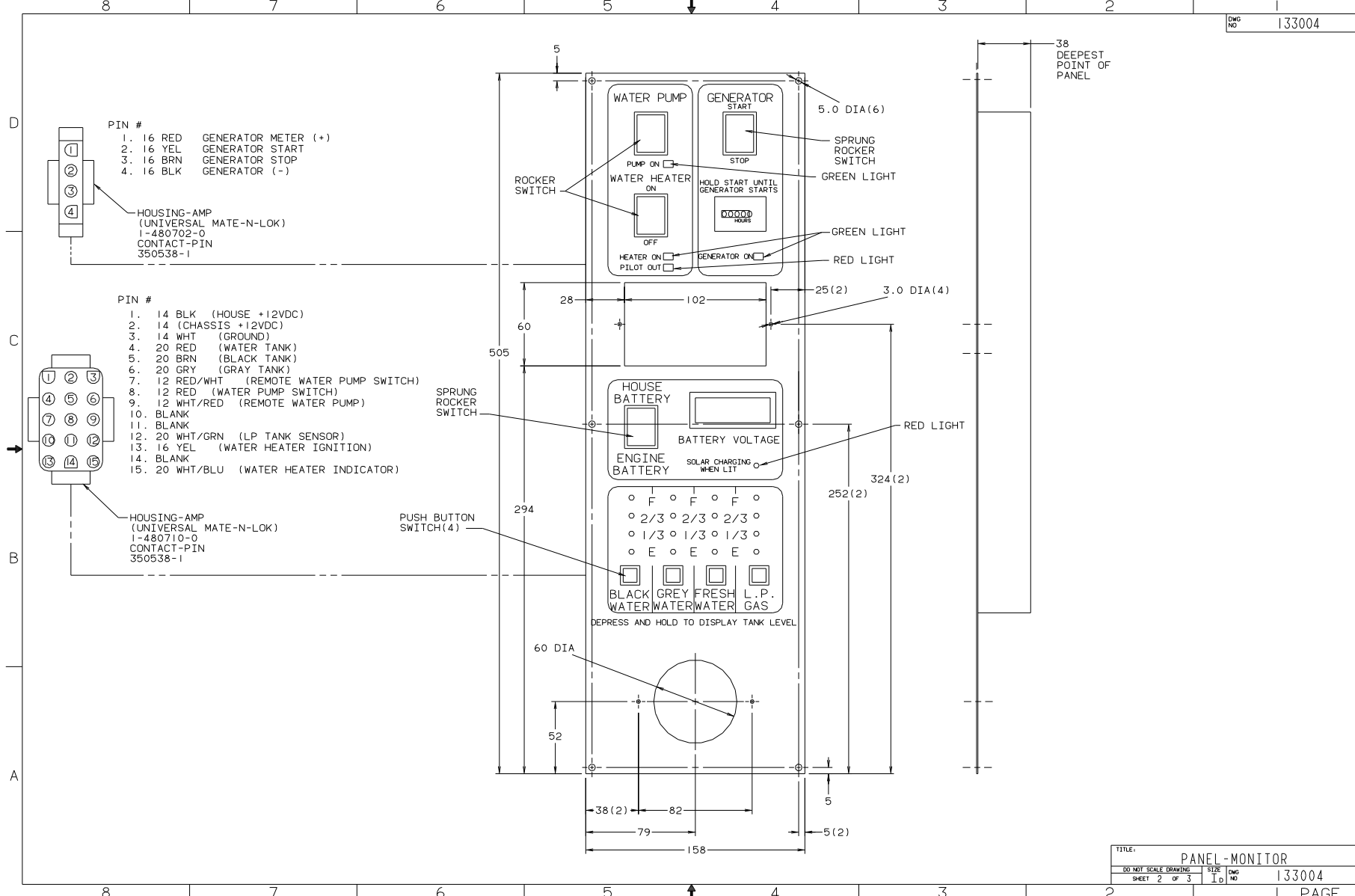
RELEASE	REV A	DATE	DPTR	ADM	DWG NO	133004
REV ZONE	REVISION RECORD		DATE	DTR-ORIG		



- NOTES:
- SUGGESTED VENDOR: VENTLINE.
 - BLACK PANEL WITH WHITE GRAPHICS.
 - LETTERS ON MAIN HEADING TO BE 5MM HIGH.
 - CUTOUT FOR PANEL TO BE 135 X 350 MIN/ 140 X 380 MAX.
 - SWITCH RATING SHALL BE EMBOSSED ON THE SIDE OF THE 12V SWITCHES.

SEE CHART
FOR COLOR VARIATIONS
OF THIS PART

WINNEBAGO			
DTR	DATE	UNSPECIFIED TOLERANCES ARE:	MATERIAL:
CHR	DATE	WHOLE DIM (XX)	+
P E	DATE	ONE-PLACE (X.XX)	+
M E	DATE	TWO-PLACE (X.XXX)	+
ENR	DATE	ANGLE	+
	DATE	THIRD ANGLE PROJECTION	
LAYOUT NO	TITLE: PANEL-MONITOR		
DIA #	SCALE: 0:1	DO NOT SCALE DRAWING	SHEET 1 OF 3
ALL DIMENSIONS ARE IN MILLIMETERS			DWG NO 133004



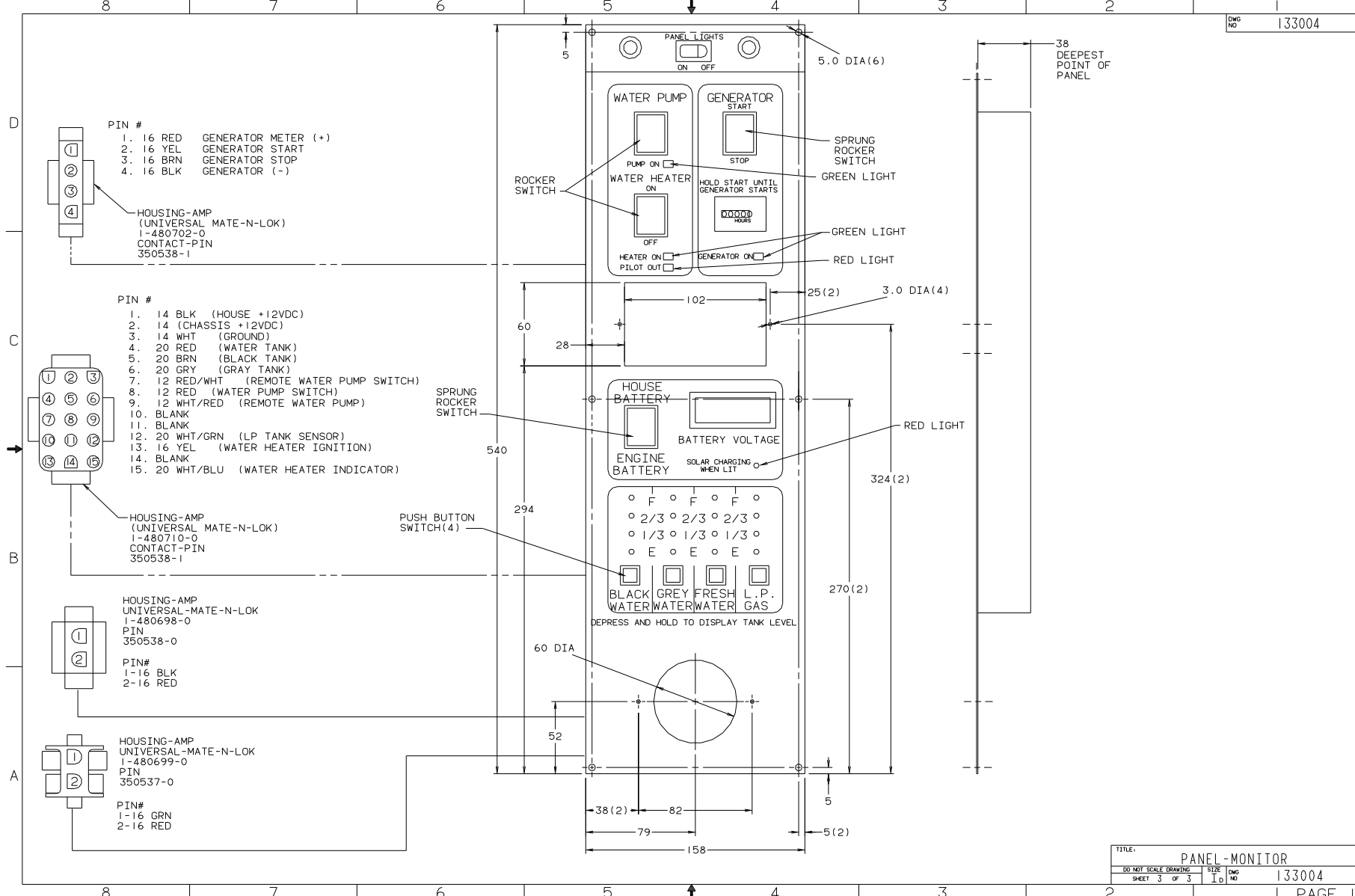
- PIN #
- 1. 16 RED GENERATOR METER (+)
 - 2. 16 YEL GENERATOR START
 - 3. 16 BRN GENERATOR STOP
 - 4. 16 BLK GENERATOR (-)

HOUSING-AMP
(UNIVERSAL MATE-N-LOK)
1-480702-0
CONTACT-PIN
350538-1

- PIN #
- 1. 14 BLK (HOUSE +12VDC)
 - 2. 14 (CHASSIS +12VDC)
 - 3. 14 WHT (GROUND)
 - 4. 20 RED (WATER TANK)
 - 5. 20 BRN (BLACK TANK)
 - 6. 20 GRN (GRAY TANK)
 - 7. 12 RED/WHT (REMOTE WATER PUMP SWITCH)
 - 8. 12 RED (WATER PUMP SWITCH)
 - 9. 12 WHT/RED (REMOTE WATER PUMP)
 - 10. BLANK
 - 11. BLANK
 - 12. 20 WHT/GRN (LP TANK SENSOR)
 - 13. 16 YEL (WATER HEATER IGNITION)
 - 14. BLANK
 - 15. 20 WHT/BLU (WATER HEATER INDICATOR)

HOUSING-AMP
(UNIVERSAL MATE-N-LOK)
1-480710-0
CONTACT-PIN
350538-1

TITLE:		PANEL-MONITOR	
DO NOT SCALE DRAWING	SHEET 2 OF 3	SIZE	133004
		DWG NO	



- PIN #
- 1. 16 RED GENERATOR METER (+)
 - 2. 16 YEL GENERATOR START
 - 3. 16 BRN GENERATOR STOP
 - 4. 16 BLK GENERATOR (-)

HOUSING-AMP
(UNIVERSAL MATE-N-LOK)
1-480702-0
CONTACT-PIN
350538-1

- PIN #
- 1. 14 BLK (HOUSE +12VDC)
 - 2. 14 (CHASSIS +12VDC)
 - 3. 14 WHT (GROUND)
 - 4. 20 RED (WATER TANK)
 - 5. 20 BRN (BLACK TANK)
 - 6. 20 GRY (GRAY TANK)
 - 7. 12 RED/WHT (REMOTE WATER PUMP SWITCH)
 - 8. 12 RED (WATER PUMP SWITCH)
 - 9. 12 WHT/RED (REMOTE WATER PUMP)
 - 10. BLANK
 - 11. BLANK
 - 12. 20 WHT/GRN (LP TANK SENSOR)
 - 13. 16 YEL (WATER HEATER IGNITION)
 - 14. BLANK
 - 15. 20 WHT/BLU (WATER HEATER INDICATOR)

HOUSING-AMP
(UNIVERSAL MATE-N-LOK)
1-480710-0
CONTACT-PIN
350538-1

HOUSING-AMP
UNIVERSAL-MATE-N-LOK
1-480698-0
PIN
350538-0

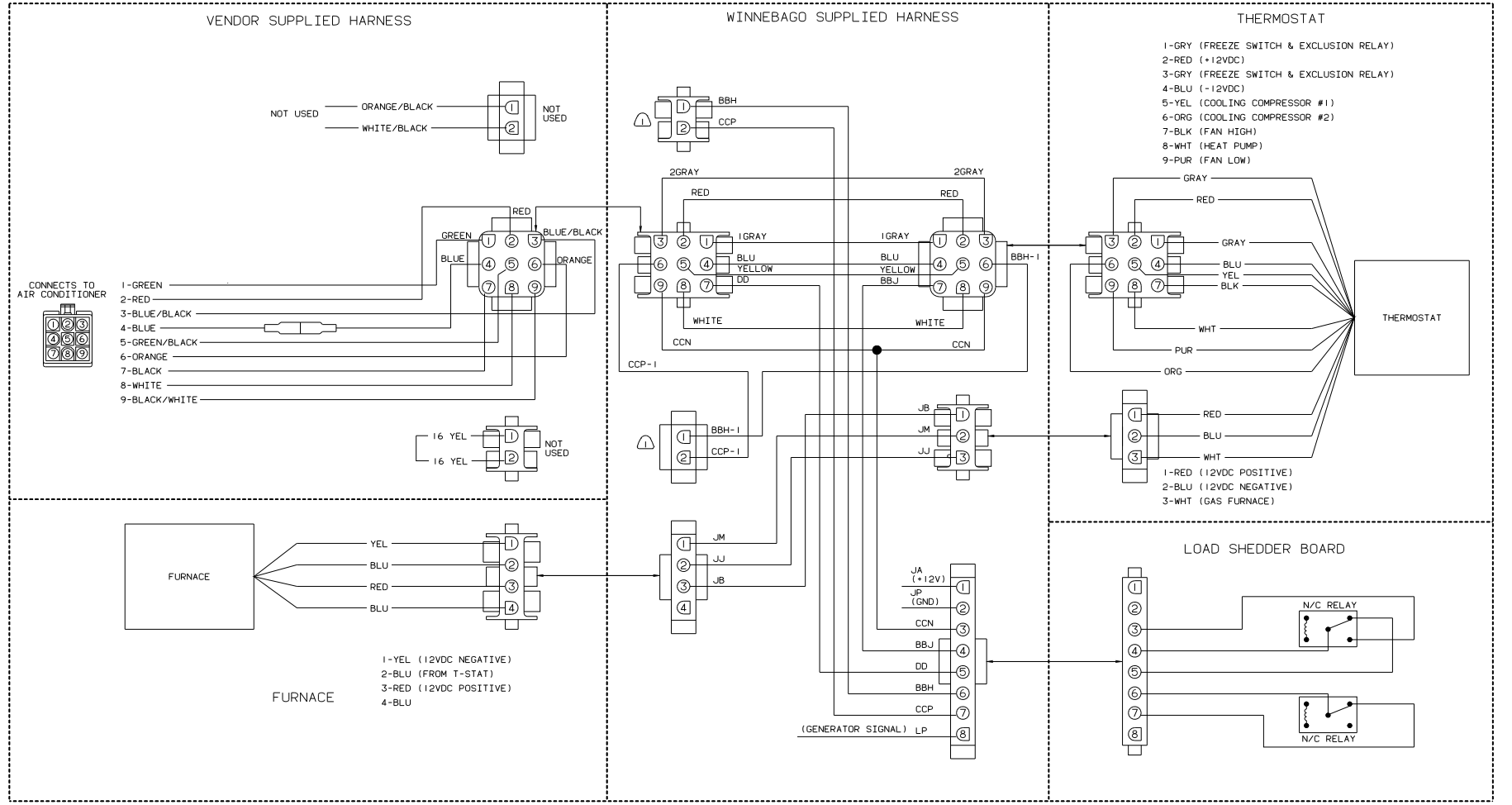
PIN#
1-16 BLK
2-16 RED

HOUSING-AMP
UNIVERSAL-MATE-N-LOK
1-480699-0
PIN
350537-0

PIN#
1-16 GRN
2-16 RED

TITLE		PANEL-MONITOR	
DO NOT SCALE DRAWING	SHEET 3 OF 3	SIZE I D	DWG NO 133004

WITHOUT HEAT PUMP



WIRING DIAGRAM-THERMOSTAT, EXT
 (WIRE ASM 135131)
 (WITHOUT HEAT PUMP)

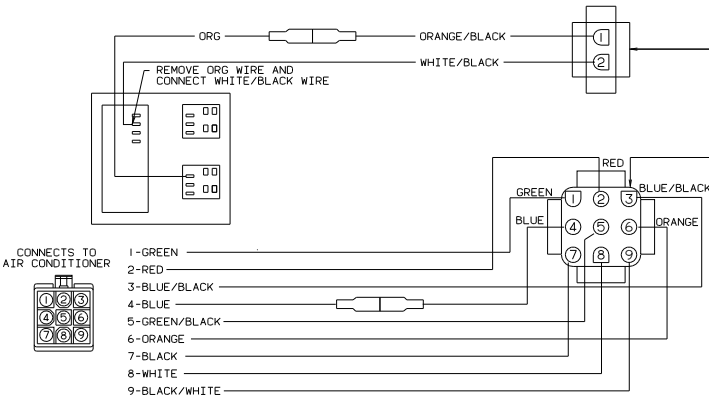
NOTES: ① CONNECT HOUSINGS TOGETHER.

WINNEBAGO		01 MOTORHOMES	
DATE	UNDESIGNED TOLERANCES ARE:	MATERIAL	
DATE	UNLESS OTHERWISE SPECIFIED:	FURNACE	
DATE	1/8" (16:1)	THERMOSTAT	
DATE	1/16" (96:1)	LOAD SHEDDER BOARD	
DATE	1/32" (192:1)	WIRING DIAGRAM	
DATE	1/64" (384:1)	WIRING DIAGRAM-AC/HEAT/EMS	
DATE	1/128" (768:1)	WIRING DIAGRAM-GEN/CHARGE	
DATE	1/256" (1536:1)	WIRING DIAGRAM-ENGINE	
DATE	1/512" (3072:1)	WIRING DIAGRAM-TRANS	
DATE	1/1024" (6144:1)	WIRING DIAGRAM-OTHER	
DATE	1/2048" (12288:1)	WIRING DIAGRAM-OTHER	
DATE	1/4096" (24576:1)	WIRING DIAGRAM-OTHER	
DATE	1/8192" (49152:1)	WIRING DIAGRAM-OTHER	
DATE	1/16384" (98304:1)	WIRING DIAGRAM-OTHER	
DATE	1/32768" (196608:1)	WIRING DIAGRAM-OTHER	
DATE	1/65536" (393216:1)	WIRING DIAGRAM-OTHER	
DATE	1/131072" (786432:1)	WIRING DIAGRAM-OTHER	
DATE	1/262144" (1572864:1)	WIRING DIAGRAM-OTHER	
DATE	1/524288" (3145728:1)	WIRING DIAGRAM-OTHER	
DATE	1/1048576" (6291456:1)	WIRING DIAGRAM-OTHER	
DATE	1/2097152" (12582912:1)	WIRING DIAGRAM-OTHER	
DATE	1/4194304" (25165824:1)	WIRING DIAGRAM-OTHER	
DATE	1/8388608" (50331648:1)	WIRING DIAGRAM-OTHER	
DATE	1/16777216" (100663296:1)	WIRING DIAGRAM-OTHER	
DATE	1/33554432" (201326592:1)	WIRING DIAGRAM-OTHER	
DATE	1/67108864" (402653184:1)	WIRING DIAGRAM-OTHER	
DATE	1/134217728" (805306368:1)	WIRING DIAGRAM-OTHER	
DATE	1/268435456" (1610612736:1)	WIRING DIAGRAM-OTHER	
DATE	1/536870912" (3221225472:1)	WIRING DIAGRAM-OTHER	
DATE	1/1073741824" (6442450944:1)	WIRING DIAGRAM-OTHER	
DATE	1/2147483648" (12884901888:1)	WIRING DIAGRAM-OTHER	
DATE	1/4294967296" (25769803776:1)	WIRING DIAGRAM-OTHER	
DATE	1/8589934592" (51539607552:1)	WIRING DIAGRAM-OTHER	
DATE	1/17179869184" (103079215104:1)	WIRING DIAGRAM-OTHER	
DATE	1/34359738368" (206158430208:1)	WIRING DIAGRAM-OTHER	
DATE	1/68719476736" (412316860416:1)	WIRING DIAGRAM-OTHER	
DATE	1/137438953472" (824633720832:1)	WIRING DIAGRAM-OTHER	
DATE	1/274877907344" (1649267441664:1)	WIRING DIAGRAM-OTHER	
DATE	1/549755814688" (3298534883328:1)	WIRING DIAGRAM-OTHER	
DATE	1/1099511629376" (6597069766656:1)	WIRING DIAGRAM-OTHER	
DATE	1/2199023258752" (13194139533312:1)	WIRING DIAGRAM-OTHER	
DATE	1/4398046517504" (26388279066624:1)	WIRING DIAGRAM-OTHER	
DATE	1/8796093035008" (52776558133248:1)	WIRING DIAGRAM-OTHER	
DATE	1/17592186070016" (105553116266496:1)	WIRING DIAGRAM-OTHER	
DATE	1/35184372140032" (211106232532992:1)	WIRING DIAGRAM-OTHER	
DATE	1/70368744280064" (422212465065984:1)	WIRING DIAGRAM-OTHER	
DATE	1/140737488560128" (844424930131968:1)	WIRING DIAGRAM-OTHER	
DATE	1/281474977120256" (1688849860263936:1)	WIRING DIAGRAM-OTHER	
DATE	1/562949954240512" (3377699720527872:1)	WIRING DIAGRAM-OTHER	
DATE	1/1125899908481024" (6755399441055744:1)	WIRING DIAGRAM-OTHER	
DATE	1/2251799816962048" (13510798882111488:1)	WIRING DIAGRAM-OTHER	
DATE	1/4503599633924096" (27021597764222976:1)	WIRING DIAGRAM-OTHER	
DATE	1/9007199267848192" (54043195528445952:1)	WIRING DIAGRAM-OTHER	
DATE	1/18014398537696384" (108086391056891904:1)	WIRING DIAGRAM-OTHER	
DATE	1/36028797075392768" (216172782113783808:1)	WIRING DIAGRAM-OTHER	
DATE	1/72057594150785536" (432345564227567616:1)	WIRING DIAGRAM-OTHER	
DATE	1/144115188301571072" (864691128455135232:1)	WIRING DIAGRAM-OTHER	
DATE	1/288230376603142144" (1729382256910270464:1)	WIRING DIAGRAM-OTHER	
DATE	1/576460753206284288" (3458764513820540928:1)	WIRING DIAGRAM-OTHER	
DATE	1/1152921506412568576" (6917529027641081856:1)	WIRING DIAGRAM-OTHER	
DATE	1/2305843012825137152" (13835058055282163136:1)	WIRING DIAGRAM-OTHER	
DATE	1/4611686025650274304" (27670116110564326272:1)	WIRING DIAGRAM-OTHER	
DATE	1/9223372051300548608" (55340232221128652544:1)	WIRING DIAGRAM-OTHER	
DATE	1/18446744102601097216" (110680464422257305088:1)	WIRING DIAGRAM-OTHER	
DATE	1/36893488205202194432" (221360928844514610176:1)	WIRING DIAGRAM-OTHER	
DATE	1/73786976410404388864" (442721857689029220352:1)	WIRING DIAGRAM-OTHER	
DATE	1/14757395281080877728" (885443715378058440704:1)	WIRING DIAGRAM-OTHER	
DATE	1/29514790562161755456" (1770887430756116881408:1)	WIRING DIAGRAM-OTHER	
DATE	1/59029581124323510912" (3541774861512233762816:1)	WIRING DIAGRAM-OTHER	
DATE	1/118059162248647021824" (7083549723024467525632:1)	WIRING DIAGRAM-OTHER	
DATE	1/236118324497294043648" (14167099446048934551264:1)	WIRING DIAGRAM-OTHER	
DATE	1/472236648994588087296" (28334198892097869102528:1)	WIRING DIAGRAM-OTHER	
DATE	1/944473297989176174592" (56668397784195738205056:1)	WIRING DIAGRAM-OTHER	
DATE	1/1888946595978352349184" (113336795568391476410112:1)	WIRING DIAGRAM-OTHER	
DATE	1/3777893191956704698368" (226673591136782952820224:1)	WIRING DIAGRAM-OTHER	
DATE	1/7555786383913409396736" (453347182273565905640448:1)	WIRING DIAGRAM-OTHER	
DATE	1/15111572767826818793472" (906694364547131811280896:1)	WIRING DIAGRAM-OTHER	
DATE	1/30223145535653637586944" (1813388729094263622561792:1)	WIRING DIAGRAM-OTHER	
DATE	1/60446291071307275173888" (3626777458188527245123584:1)	WIRING DIAGRAM-OTHER	
DATE	1/120892582142614550347776" (7253554916377054490247168:1)	WIRING DIAGRAM-OTHER	
DATE	1/241785164285229100695552" (14507109832754108980494336:1)	WIRING DIAGRAM-OTHER	
DATE	1/483570328570458201391104" (29014219665508217960988672:1)	WIRING DIAGRAM-OTHER	
DATE	1/967140657140916402782208" (58028439331016435921977344:1)	WIRING DIAGRAM-OTHER	
DATE	1/1934281314281832805564416" (116056878662032871843954688:1)	WIRING DIAGRAM-OTHER	
DATE	1/3868562628563665611128832" (232113757324065743687909376:1)	WIRING DIAGRAM-OTHER	
DATE	1/7737125257127331222257664" (464227514648131487375918752:1)	WIRING DIAGRAM-OTHER	
DATE	1/15474250514254662444515328" (928455029296262974751837504:1)	WIRING DIAGRAM-OTHER	
DATE	1/30948501028509324889030656" (1856910058592525949503675008:1)	WIRING DIAGRAM-OTHER	
DATE	1/61897002057018649778061312" (3713820117185051899007350016:1)	WIRING DIAGRAM-OTHER	
DATE	1/123794004114037299556122624" (7427640234370103798014700032:1)	WIRING DIAGRAM-OTHER	
DATE	1/247588008228074599112245248" (14855280468740207976029400064:1)	WIRING DIAGRAM-OTHER	
DATE	1/495176016456149198224484496" (29710560937480415952058800128:1)	WIRING DIAGRAM-OTHER	
DATE	1/990352032912298396448968992" (59421121874960831904117600256:1)	WIRING DIAGRAM-OTHER	
DATE	1/1980704065824596792897937984" (118842243749921663808235200512:1)	WIRING DIAGRAM-OTHER	
DATE	1/3961408131649193585795875968" (237684487499843327616470401024:1)	WIRING DIAGRAM-OTHER	
DATE	1/7922816263298387171591751936" (475368974999686655232940802048:1)	WIRING DIAGRAM-OTHER	
DATE	1/15845632526596773543183503872" (950737950000000000000000000000:1)	WIRING DIAGRAM-OTHER	

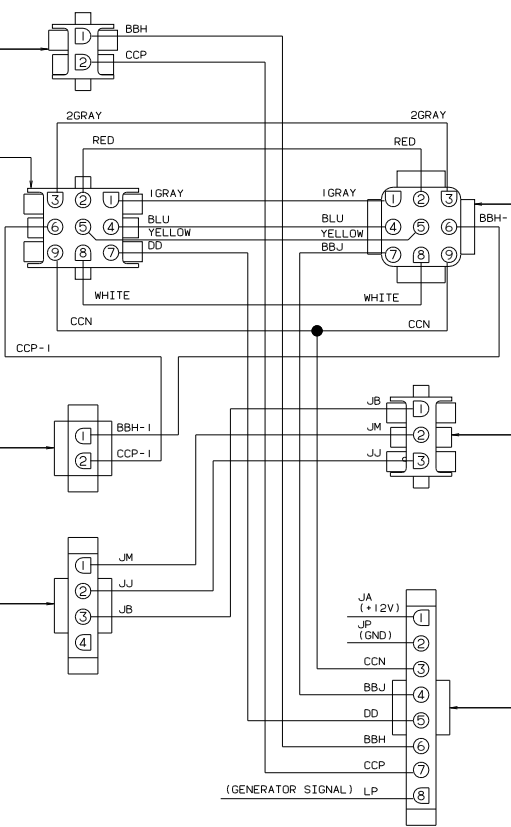
WITH HEAT PUMP

VENDOR SUPPLIED HARNESS

ORG WIRE IS REMOVED FROM TERMINAL AND CONNECTED TO ORG/BLK WIRE THEN WHT/BLK WIRE IS CONNECTED TO THE TERMINAL WHERE TH ORG WIRE WAS.

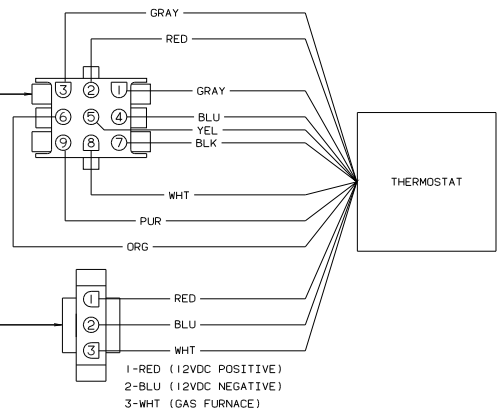


WINNEBAGO SUPPLIED HARNESS

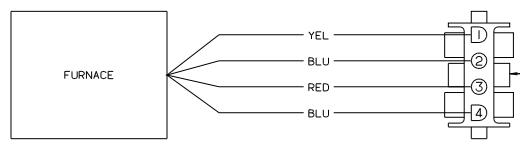


THERMOSTAT

- 1-GRY (FREEZE SWITCH & EXCLUSION RELAY)
- 2-RED (+12VDC)
- 3-GRY (FREEZE SWITCH & EXCLUSION RELAY)
- 4-BLU (-12VDC)
- 5-YEL (COOLING COMPRESSOR #1)
- 6-ORG (COOLING COMPRESSOR #2)
- 7-BLK (FAN HIGH)
- 8-WHT (HEAT PUMP)
- 9-PUR (FAN LOW)

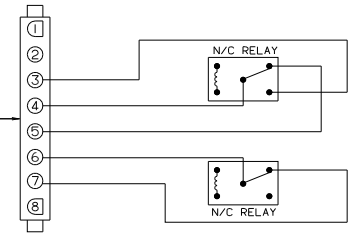


FURNACE



- 1-YEL (12VDC NEGATIVE)
- 2-BLU (FROM T-STAT)
- 3-RED (12VDC POSITIVE)
- 4-BLU

LOAD SHEDDER BOARD



WIRING DIAGRAM-THERMOSTAT, EXT
(WIRE ASM 138131)
(WITH HEAT PUMP)

NOTES: 1 RLC FOR 2001 THIS RESET WAS DELETED.

TERMINALS

NO.	PART NUMBER	DESCRIPTION
B-1	50003-01	TERMINAL-PIN, 16-14 GA.,.156 DIA
B-2	50004-01	TERMINAL-RECP, 16-14 GA.,.156 DIA
B-11	50003-02	TERMINAL-PIN, 16-14 GA.,.180 DIA
B-12	50004-02	TERMINAL-RECP, 16-14 GA.,.180 DIA
WP-1	106950-01	TERMINAL-PIN, 16-14 GA
WP-2	106950-02	TERMINAL-PIN, 10-12 GA
WP-3	106950-03	TERMINAL-PIN, 8 GA
R-1	35416-01	TERMINAL-RING, 8 GA, #10 STUD
R-2	35416-02	TERMINAL-RING, 6 GA, #10 STUD
R-3	35416-03	TERMINAL-RING, 12-10 GA, #10 STUD
R-4	35416-04	TERMINAL-RING, 16-14 GA, #10 STUD
R-5	37018-01	TERMINAL-RING, 12-10 GA, 5/16 STUD
R-6	102777-01	TERMINAL-RING, #6 STUD, 14 GA
R-7	102777-02	TERMINAL-RING, #6 STUD, 10 GA
R-8	102777-03	TERMINAL-RING, #6 STUD, 8 GA
R-9	33787-01	TERMINAL-RING, 14 GA, #10 STUD
R-60	8325-01	TERMINAL-RING, 16-14 GA, 1/4 STUD
R-61	8326-01	TERMINAL-RING, 16-14 GA, 3/8 STUD
R-62	8327-01	TERMINAL-RING, 16-14 GA, #10 STUD
R-63	8328-01	TERMINAL-RING, 12-10 GA, #10 STUD
R-64	8328-02	TERMINAL-RING, 12-10 GA, 3/8 STUD
R-65	8329-01	TERMINAL-RING, 8 GA, 3/8 STUD
R-66	8331-01	TERMINAL-RING, 4 GA, 3/8 STUD
R-67	8332-01	TERMINAL-RING, 6 GA, 1/4 STUD
R-68	8332-02	TERMINAL-RING, 10 GA, 1/4 STUD
R-69	8350-01	TERMINAL-RING, 6 GA, 3/8 STUD
R-70	99275-02	TERMINAL-RING, 8 GA, 7/16 STUD
R-71	101397-01	TERMINAL-RING, 16-14 GA, #10 STUD
R-91	88791-01	TERMINAL-RING, 1/0 GA, 3/8, 90 DEG.
R-92	88791-02	TERMINAL-RING, 2 GA, 3/8, 90 DEG
R-93	8348-01	TERMINAL-RING, 2 GA, 3/8 STUD
R-94	99275-01	TERMINAL-RING, 1/0 GA, 7/16 STUD
RF-51	7944-01	TERMINAL-RING, 12-10 GA, #8 STUD
RF-52	7945-01	TERMINAL-RING, 16-14 GA, #8 STUD
TR-1	47443-01	TERMINAL-RECP, 16-14 GA, .25, INS
TR-2	47443-02	TERMINAL-RECP, 12-10 GA, .25, INS
TR-11	47443-03	TERMINAL-RECP, 16-14 GA, .19, INS
TR-12	47443-04	TERMINAL-RECP, 16-14 GA, .11, INS
TR-21	80015-01	TERMINAL-RECP, 22-18 GA, .250, 90 DEG
TR-22	80015-02	TERMINAL-RECP, 16-14 GA, .190, 90 DEG
TR-23	80015-03	TERMINAL-RECP, 16-14 GA, .250, 90 DEG
TR-51	7940-01	TERMINAL-RECP, 16-14 GA, .25, UNINS
TR-52	23809-01	TERMINAL-RECP, 16-14 GA, .19, UNINS
TR-53	23809-02	TERMINAL-RECP, 18-20 GA, .25, UNINS
TR-54	49270-01	TERMINAL-RECP, 18-20 GA, .19, UNINS
TT-1	85745-02	TERMINAL-TAB, 16-14 GA, .25, INS
TT-51	7942-01	TERMINAL-TAB, 16-14 GA, .25, UNINS
TT-52	7943-01	TERMINAL-TAB, 12-10 GA, .25, UNINS

SPLICES

NO.	PART NUMBER	DESCRIPTION
BS-1	31876-01	SPLICE-BUTT, 16-14 GA, BLUE
BS-2	31876-02	SPLICE-BUTT, 12-10 GA, YELLOW
BS-3	31876-03	SPLICE-BUTT, 22-18 GA, RED
BS-SB	100070-01	SPLICE-BUTT, 14-16 GA, SHRINK, BLUE
BS-RB	112823-01	SPLICE-BUTT, 14-22 GA, REDUCER
S-1	7946-01	SPLICE, 4000-10000 CMA
S-2	23808-01	SPLICE, 12000-18000 CMA
SH-1	58028-01	SPLICE-HAT
S-10	101173-01	SPLICE-BARREL, 26300 CMA

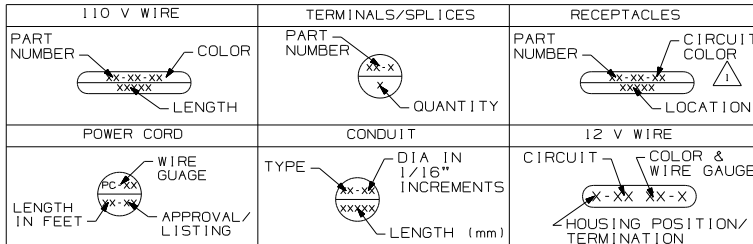
NO.	PART NUMBER	DESCRIPTION
SP-1	90986-02	PLUG ASM-ELECTRIC STEP
SP-2	142524-01-000	HOUSING-4 PIN
	098261-01-000	SOCKET-CONNECTOR
	098262-07-000	SEAL-CONNECTOR
	098261-02-000 (3)	SOCKET-CONNECTOR
098262-01-000 (3)	SEAL-CONNECTOR	
HR-1	63910-01	HOUSING-RELAY
MP-8	125323-02	HOUSING-PIN, 8 CAVITY
MP-10	125323-01	HOUSING-PIN, 10 CAVITY
MPP	125324-01	TERMINAL-MALE, M/P, 150
CAV-1	125325-01	SEAL-CAVITY, 150-SERIES M/P
CON-3	98262-03	SEAL-CONNECTOR
LS-8	125323-03	LOCK-SECONDARY 8 POSITION
LS-10	125323-04	LOCK-SECONDARY 10 POSITION
H-8	108355-01	HOUSING-SWITCH
I-2	7956-02	SHRINK WRAP .375 DIA
I-5	7956-05	SHRINK WRAP .25 DIA

NO.	PART NUMBER	DESCRIPTION
GEN-1	125323-02-000	HOUSING-8 POSN, MALE, 150 SERIES
	125324-01-000 (4)	TERMINAL-MALE, M/P, 150
	098262-03-000 (4)	SEAL-CONNECTOR
	125325-01-000 (4)	SEAL-CAVITY, 150 SERIES M/P
125323-03-000	LOCK-SECONDARY 8 POSITION	
GEN-2	125323-01-000	HOUSING-10 POSN, MALE, 150 SERIES
	125324-01-000 (5)	TERMINAL-MALE, M/P, 150
	098262-03-000 (5)	SEAL-CONNECTOR
	125325-01-000 (5)	SEAL-CAVITY, 150 SERIES M/P
125323-04-000	LOCK-SECONDARY 10 POSITION	

HOUSINGS AND TERMINALS

NO.	PART NUMBER	DESCRIPTION
HS-2	88474-10	HOUSING-SOCKET, 2 CAVITY
HS-3	88474-09	HOUSING-SOCKET, 3 CAVITY
HS-4	88474-08	HOUSING-SOCKET, 4 CAVITY
HS-5	88474-07	HOUSING-SOCKET, 5 CAVITY
HS-6	88474-06	HOUSING-SOCKET, 6 CAVITY
HS-7	88474-05	HOUSING-SOCKET, 6 CAVITY
HS-9	88474-03	HOUSING-SOCKET, 9 CAVITY
HS-12	88474-01	HOUSING-SOCKET, 12 CAVITY
HS-15	88474-02	HOUSING-SOCKET, 15 CAVITY
HP-2	88473-10	HOUSING-PIN, 2 CAVITY
HP-3	88473-09	HOUSING-PIN, 3 CAVITY
HP-4	88473-08	HOUSING-PIN, 4 CAVITY
HP-5	88473-07	HOUSING-PIN, 5 CAVITY
HP-6	88473-06	HOUSING-PIN, 6 CAVITY
HP-7	88473-05	HOUSING-PIN, 6 CAVITY
HP-8	88473-04	HOUSING-PIN, 8 CAVITY
HP-9	88473-03	HOUSING-PIN, 9 CAVITY
HP-12	88473-01	HOUSING-PIN, 12 CAVITY
HP-15	88473-02	HOUSING-PIN, 15 CAVITY
HS2HA	137208-01	HOUSING-SOCKET, 2 CAVITY-HIGH AMP
HP2HA	137207-01	HOUSING-PIN, 2 CAVITY-HIGH AMP
TS-1	88476-01	SOCKET-CONNECTOR, 16-14 GA
TS-2	88476-02	SOCKET-CONNECTOR, 12-10 GA
TP-1	88475-01	PIN-CONNECTOR, 16-14 GA
TP-2	88475-02	PIN-CONNECTOR, 12-10 GA
TS-HA	137210-01	SOCKET-CONNECTOR, 10AWG HIGH AMP
TP-HA	137209-01	PIN-CONNECTOR, 10AWG HIGH AMP

BALLOON CALLOUT LEGEND



WINNEBAGO

DATE: 10/17/95
 ALL DIMENSIONS ARE IN MILLIMETERS
 FIRST USED: 96 MH'S

UNSPECIFIED TOLERANCES ARE:
 HOLE DIA: .015
 ONE-PLACE: .015
 TWO-PLACE: .015
 HOLE: .015

DO NOT SCALE DRAWING

TITLE: PART LISTING-ELECT. TERMS
 SHEET 1 of 7 PART NO 121339

FOR RECP-BLANK, DET-X DENOTES DETAIL VIEW.

WIRE-SINGLE INS CONDUCTOR, STRANDED

NO.	PART NUMBER	DESCRIPTION
16-Y 16-W	89360-01 89360-02	WIRE, 16 GA. YELLOW WIRE, 16 GA. WHITE
14-Y 14-W	48554-02 48554-04	WIRE, 14 GA. YELLOW WIRE, 14 GA. WHITE
12-Y 12-W	48555-02 48555-04	WIRE, 12 GA. YELLOW WIRE, 12 GA. WHITE
10-Y 10-W	8000-03 8000-05	WIRE, 10 GA. YELLOW WIRE, 10 GA. WHITE
8-B 8-G	8005-01 8005-03	WIRE, 8 GA. BLACK WIRE, 8 GA. GREEN
6-B 6-G	70065-01 70065-03	WIRE, 6 GA. BLACK WIRE, 6 GA. GREEN
18-WX	121015-01	WIRE, 18 GA. WHITE, XLPE
16-YX 16-WX	116675-01 116675-02	WIRE, 16 GA. YELLOW, XLPE WIRE, 16 GA. WHITE, XLPE
14-YX 14-WX	98586-01 98586-02	WIRE, 14 GA. YELLOW, XLPE WIRE, 14 GA. WHITE, XLPE
12-YX 12-WX	98609-01 98609-02	WIRE, 12 GA. YELLOW, XLPE WIRE, 12 GA. WHITE, XLPE
10-YX 10-WX	116676-03 116676-04	WIRE, 10 GA. YELLOW, XLPE WIRE, 10 GA. WHITE, XLPE
8-BX 8-GX	116674-01 116674-02	WIRE, 8 GA. BLACK, XLPE WIRE, 8 GA. GREEN, XLPE
6-BX 6-GX	116687-01 116687-02	WIRE, 6 GA. BLACK, XLPE WIRE, 6 GA. GREEN, XLPE

RECEPTACLES

NO.	PART NUMBER	DESCRIPTION
RCP-1	86738-02-CHT	RECEPTACLE-SINGLE, FLUSH MOUNT
RCP-2	86738-01-CHT	RECEPTACLE-DOUBLE, FLUSH MOUNT
RCP-3	58707-01-000	RECEPTACLE-SINGLE, SURFACE MOUNT
RCP-B	58707-02-000	RECEPTACLE-BLANK, JUNCTION
RCP-E	131826-01-CHT	INCLUDES COVER & GASKET

WIRE-NM SHEATHED CABLE

NO.	PART NUMBER	DESCRIPTION
14 UL	8027-01-000	WIRE 14-2 ROMEX W/GROUND (UL)
14 CA	8023-02-000	WIRE 14-2 ROMEX W/GROUND (CAN)
12 UL	8026-01-000	WIRE 12-2 ROMEX W/GROUND (UL)
12 CA	8023-01-000	WIRE 12-2 ROMEX W/GROUND (CAN)
12-3 UL	8026-03-000	WIRE 12-3 ROMEX W/GROUND (UL)
12-3 CA	8023-03-000	WIRE 12-3 ROMEX W/GROUND (CAN)
10 UL	8022-01-000	WIRE 10-2 ROMEX W/GROUND (UL)
10 CA	24743-01-000	WIRE 10-2 ROMEX W/GROUND (CAN)
6-3 UL	108914-01-000	WIRE 6-3 ROMEX W/GROUND (UL)
6-3 CA	113136-01-000	WIRE 6-3 ROMEX W/GROUND (CAN)
6-2 UL	108914-02-000	WIRE 6-2 ROMEX W/GROUND (UL)
4-3 UL	128375-01-000	WIRE 4-3 ROMEX W/GROUND (UL)
4-3 CA	128375-01-000	WIRE 4-3 ROMEX W/GROUND (CAN)

POWER CORDS

NO.	PART NUMBER	DESCRIPTION
PC-10 28	8054-01-000	POWER CORD 10 GA, 30 AMP, 28 FT. (UL/CA)
PC-10 35	8054-02-000	POWER CORD 10 GA, 30 AMP, 35 FT. (UL/CA)
PC-10 30-CA	8052-01-000	SUPERCEDED BY 8054-01-000
PC-6 36	108934-01-000	POWER CORD 6 GA, 50 AMP, 36 FT. (UL/CA)
PC-6 36-FX	108934-02-000	POWER CORD 6 GA, 50 AMP, 36 FT. (UL/CSA) SUPERFLEX
PC-6 36-CA	113096-01-000	SUPERCEDED BY 108934-02-000

CIRCUIT COLOR LEGEND

110V CIRCUIT	WIRE COLOR	COAXIAL CIRCUIT
A/C CIRCUIT 1	RED	CABLE INPUT W/O SPLITTER
A/C CIRCUIT 2	GRN	REAR TV W/O SPLITTER
GENERAL RECPS 1	BLU	ANTENNA
GENERAL RECPS 2	BRN	FRONT TV
GENERAL RECPS 3	PUR	VCR INPUT
GENERAL RECPS 4	GRY	
REFRIGERATOR/ CONVERTER	YEL	EXT ENT CTR
MICROWAVE	BLK	AUX INPUT
WATER HEATER	WHT	
WASHER/DRYER	GLD	
DISHWASHER	SIL	
	ORG	SATELLITE PLATE INPUT
	ORG/ORG	SATELLITE PLATE OUTPUT
	RED/RED	CABLE INPUT W/SPLITTER
	GRN/GRN	REAR TV W/SPLITTER
	PUR/PUR	VCR OUTPUT

CONDUIT

NO.	PART NUMBER	DESCRIPTION	TEMP.
C-4	41953-07-000	CONDUIT-CONVOLUTE,SLIT .25"ID	190°
C-6	41953-06-000	CONDUIT-CONVOLUTE,SLIT .38"ID	190°
C-8	41953-01-000	CONDUIT-CONVOLUTE,SLIT .50"ID	190°
C-10	41953-02-000	CONDUIT-CONVOLUTE,SLIT .63"ID	190°
C-16	41953-03-000	CONDUIT-CONVOLUTE,SLIT 1.0"ID	190°
CX-8	41953-09-000	CONDUIT-CONVOLUTE,SLIT .50"ID	370°
CX-12	41953-10-000	CONDUIT-CONVOLUTE,SLIT .75"ID	370°
CX-16	41953-11-000	CONDUIT-CONVOLUTE,SLIT 1.0"ID	370°
CX-20	41953-13-000	CONDUIT-CONVOLUTE,SLIT 1.25"ID	370°
CX-24	41953-14-000	CONDUIT-CONVOLUTE,SLIT 1.50"ID	370°
CN-10	41953-05-000	CONDUIT-CONVOLUTE,NOT SLIT .63"ID	190°
CN-16	41953-12-000	CONDUIT-CONVOLUTE,NOT SLIT 1.0"ID	190°


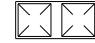

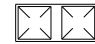


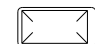
BATTERY CABLE LEGEND

COLOR	DESCRIPTION
PURPLE	CHASSIS BATTERY TO SOLENOID
BLUE	HYDRAULIC JACKS PUMP
RED	BATTERY TO STARTER
GREEN	BATTERY TO GENERATOR
YELLOW	COACH BATTERY TO SOLENOID



121339

FIRST USED 96 MH'S
DO NOT SCALE DRAWING
TITLE: PART LISTING-ELECT. TERMS
SHEET 2 PART NO 121339


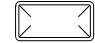

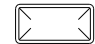

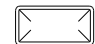
LAMP ASM-PACKAGE, PANCAKE

NO	PART NUMBER	DESCRIPTION
LF1-1	LAMP 98024-01-CHT SCREW G11-08-16U (4) CONNECTOR 58028-01-000 (2)	LAMP ASM, FROSTED LENS, 1 BULB W/SWITCH PROGRESSIVE DYNAMICS INC. 
LF2-1	LAMP 98024-03-CHT SCREW G11-08-16U (6) CONNECTOR 58028-01-000 (2)	LAMP ASM, FROSTED LENS, 2 BULB W/SWITCH PROGRESSIVE DYNAMICS INC. 
L01-1	LAMP 98024-05-CHT SCREW G11-08-16U (4) CONNECTOR 58028-01-000 (2)	LAMP ASM, OPTI CLEAR LENS, 1 BULB W/SWITCH PROGRESSIVE DYNAMICS INC. 
L02-1	LAMP 98024-06-CHT SCREW G11-08-16U (6) CONNECTOR 58028-01-000 (2)	LAMP ASM, OPTI CLEAR LENS, 2 BULB W/SWITCH PROGRESSIVE DYNAMICS INC. 
LF1N1	LAMP 98024-07-CHT SCREW G11-08-16U (4) CONNECTOR 58028-01-000 (2)	LAMP ASM, FROSTED LENS, 1 BULB W/O SWITCH PROGRESSIVE DYNAMICS INC. 
LF2N1	LAMP 98024-08-CHT SCREW G11-08-16U (6) CONNECTOR 58028-01-000 (2)	LAMP ASM, FROSTED LENS, 2 BULB W/O SWITCH PROGRESSIVE DYNAMICS INC. 
LFSN1	LAMP 98024-09-CHT SCREW G11-08-16U (6) CONNECTOR 58028-01-000 (2)	LAMP ASM, SINGLE FROSTED LENS, 2 BULB W/O SWITCH PROGRESSIVE DYNAMICS INC. 




LAMP ASM-PACKAGE, HALOGEN

NO	PART NUMBER	DESCRIPTION
HAL	LAMP 123775-01-CHT SCREW (SUPPLIED) CONNECTOR 58028-01-000 (2)	LAMP ASM-HALOGEN, READING 1 BULB 
HAL-S	LAMP 123775-01-CHT SPACER 123775-02-CHT SCREW G13-06-16U (3) CONNECTOR 58028-01-000 (2)	LAMP ASM-HALOGEN, READING WITH 3/4" SPACER 1 BULB 

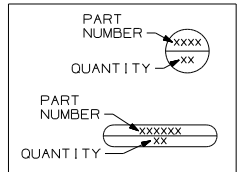
LAMP ASM-PACKAGE, PANCAKE

NO	PART NUMBER	DESCRIPTION
LF1-2	LAMP 137417-01-CHT SCREW G11-08-16U (4) CONNECTOR 58028-01-000 (2)	LAMP ASM, FROSTED LENS, 1 BULB W/SWITCH PROGRESSIVE DYNAMICS INC. 
LF2-2	LAMP 137417-04-CHT SCREW G11-08-16U (6) CONNECTOR 58028-01-000 (2)	LAMP ASM, FROSTED LENS, 2 BULB W/SWITCH PROGRESSIVE DYNAMICS INC. 
L01-2	LAMP 137417-02-CHT SCREW G11-08-16U (4) CONNECTOR 58028-01-000 (2)	LAMP ASM, OPTI CLEAR LENS, 1 BULB W/SWITCH PROGRESSIVE DYNAMICS INC. 
L02-2	LAMP 137417-05-CHT SCREW G11-08-16U (6) CONNECTOR 58028-01-000 (2)	LAMP ASM, OPTI CLEAR LENS, 2 BULB W/SWITCH PROGRESSIVE DYNAMICS INC. 
LF1N2	LAMP 137417-03-CHT SCREW G11-08-16U (4) CONNECTOR 58028-01-000 (2)	LAMP ASM, FROSTED LENS, 1 BULB W/O SWITCH PROGRESSIVE DYNAMICS INC. 
LFSN2	LAMP 137417-06-CHT SCREW G11-08-16U (6) CONNECTOR 58028-01-000 (2)	LAMP ASM, SINGLE FROSTED LENS, 2 BULB W/O SWITCH PROGRESSIVE DYNAMICS INC. 

LAMP ASM-PACKAGE, PORCH

NO	PART NUMBER	DESCRIPTION
LEXT-1	LAMP 97917-01-CHT SCREW G67-10-129 (4) CONNECTOR 58028-01-000 (2)	LAMP ASM-PORCH, SURFACE MOUNT BARGMAN 
LEXT-2UL	LAMP 8089-01-000 SCREW G68-06-10E (2) CONNECTOR 58028-01-000 (2)	LAMP ASM-PORCH, RECESSED UL LIST JRV PROD 
LEXT-2CA	LAMP 8089-02-000 SCREW G68-06-10E (2) CONNECTOR 58028-01-000 (2)	LAMP ASM-PORCH, RECESSED CAN LIST JRV PROD 

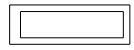
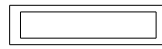
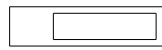
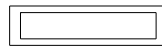
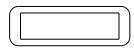
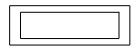
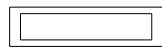
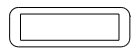
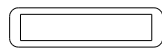
LEGEND

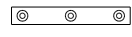
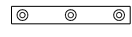
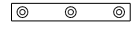
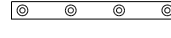

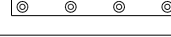


FIRST USED 96 MH'S
DO NOT SCALE DRAWING
TITLE: PART LISTING-ELECT. TERMS
SHEET 3 PART NO 121339


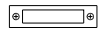

LAMP ASM-PACKAGE, FLUORESCENT

LAMP ASM-PACKAGE, MAKEUP LAMP

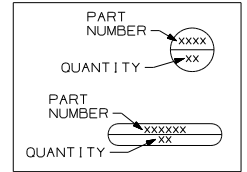
NO	PART NUMBER	DESCRIPTION
FLU-1	LAMP 91936-02-CHT SCREW G11-08-12U (4) CONNECTOR 58028-01-000 (2)	LAMP ASM-FLUORESCENT 12" 2 BULB W/SWITCH THIN-LITE 
FLU-2	LAMP 91936-01-CHT SCREW G11-08-12U (4) CONNECTOR 58028-01-000 (2)	LAMP ASM-FLUORESCENT 18" 2 BULB W/SWITCH THIN-LITE 
FLU-3	LAMP 127327-01-CHT SCREW G11-08-12U (2) CONNECTOR 58028-01-000 (2)	LAMP ASM-FLUORESCENT 18" 1-1/2" BULB W/SWITCH THIN-LITE 
FLU-4	LAMP 130338-01-CHT SCREW G11-08-12U (4) CONNECTOR 58028-01-000 (2)	LAMP ASM-FLUORESCENT 18" 2 BULB SURFACE MOUNT W/SWITCH THIN-LITE 
FLU-5	LAMP 91936-06-CHT SCREW G11-08-12U (4) CONNECTOR 58028-01-000 (2)	LAMP ASM-FLUORESCENT 12" 2 BULB W/SWITCH THIN-LITE  CUTOUT-122 X 336
FLUN1	LAMP 91936-04-CHT SCREW G11-08-12U (4) CONNECTOR 58028-01-000 (2)	LAMP ASM-FLUORESCENT 12" 2 BULB W/O SWITCH THIN-LITE 
FLUN2	LAMP 91936-03-CHT SCREW G11-08-12U (4) CONNECTOR 58028-01-000 (2)	LAMP ASM-FLUORESCENT 18" 2 BULB W/O SWITCH THIN-LITE 
FLUN3	LAMP 91936-07-CHT SCREW G11-08-12U (4) CONNECTOR 58028-01-000 (2)	LAMP ASM-FLUORESCENT 12" 2 BULB W/O SWITCH THIN-LITE  CUTOUT-122 X 336
FLUN4	LAMP 91936-05-CHT SCREW G11-08-12U (6) CONNECTOR 58028-01-000 (2)	LAMP ASM-FLUORESCENT 18" 2 BULB W/O SWITCH THIN-LITE  CUTOUT-122 X 480

NO	PART NUMBER	DESCRIPTION
LMU3-1	LAMP 110235-01-CHT SCREW W/SPACER (SUPPLIED) CONNECTOR 58028-01-000 (2)	LAMP ASM-MAKEUP (W/O MIRROR) 3 BULB (SUPPLIED) PROGRESSIVE DYNAMICS 
LMM3-2	LAMP 123774-03-CHT SCREW (SUPPLIED) CONNECTOR 58028-01-000 (2)	LAMP ASM-MAKEUP (W/MIRROR) 3 BULB GUSTOFSON 
LMU3-2	LAMP 138116-01-CHT SCREW (SUPPLIED) BULB 123918-01-000 (3) CONNECTOR 58028-01-000 (2)	LAMP ASM-MAKEUP (W/O MIRROR) 3 BULB GUSTOFSON 
LMU4-1	LAMP 110235-02-CHT SCREW G11-08-16U (2) BULB 123918-01-000 (4) CONNECTOR 58028-01-000 (2)	LAMP ASM-MAKEUP (W/O MIRROR) 4 BULB PROGRESSIVE DYNAMICS 
LMU4-2	LAMP 138116-02-CHT SCREW (SUPPLIED) BULB 123918-01-000 (4) CONNECTOR 58028-01-000 (2)	LAMP ASM-MAKEUP (W/O MIRROR) 4 BULB GUSTOFSON 
LMM4-2	LAMP 123774-01-CHT SCREW G11-08-16U (2) BULB 123918-01-000 (4) CONNECTOR 58028-01-000 (2)	LAMP ASM-MAKEUP (W/MIRROR) 4 BULB GUSTOFSON 

LAMP ASM-PACKAGE, OTHER

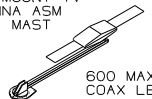
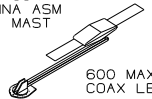
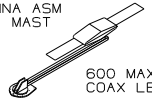

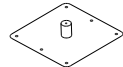
NO	PART NUMBER	DESCRIPTION
LSH-1	LAMP 121935-01-CHT SCREW G11-08-16U (4) CONNECTOR 58028-01-000 (2)	LAMP ASM-SHOWER PROGRESSIVE DYNAMICS INC. 
LCR-1	LAMP 61424-01-000 SCREW G11-08-12U (4) CONNECTOR 58028-01-000 (2)	LAMP ASM-COURTESY, AISLE RAMCO (RECTANGULAR) 
LCS-1	LAMP 108354-01-CHT SCREW G11-08-12U (4) CONNECTOR 58028-01-000 (2)	LAMP ASM-COURTESY, AISLE ITC MARINE (SQUARE) 

LEGEND

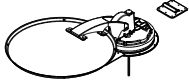
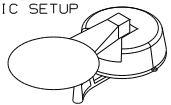


FIRST USED 96 MH'S
DO NOT SCALE DRAWING
TITLE: PART LISTING-ELECT. TERMS
SHEET 4 PART NO 121339

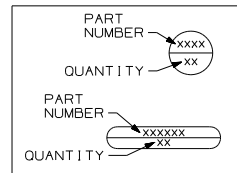
ANTENNA ASM-PACKAGE

NO	PART NUMBER	DESCRIPTION
ANT-1	ANTENNA 76319-24-000 HARDWARE - INTERIOR 76319-25-000 BUMPER 69726-02-000 (2) CLIP 80734-02-000	ROOF MOUNT TV ANTENNA ASM 25.5" MAST  600 MAX COAX LENGTH
ANT-2	ANTENNA 76319-23-000 HARDWARE - INTERIOR 76319-25-000 BUMPER 69726-02-000 (2) ADAPTER SUPPLIED W/ANTENNA	ROOF MOUNT TV ANTENNA ASM 44.5" MAST  600 MAX COAX LENGTH
ANT-2W	ANTENNA 76319-23-000 HARDWARE - INTERIOR 76319-25-000 BUMPER 69726-02-000 (2) ADAPTER SUPPLIED W/ANTENNA WEDGE 76319-26-000	ROOF MOUNT TV ANTENNA ASM 44.5" MAST  600 MAX COAX LENGTH
ANTEXT-1	CABLE ASM-EXTENS 77069-02-000	RADIO ANTENNA CABLE EXTENSION 2400MM USABLE LENGTH 
ANTKIT-1	ADAPTER-PLATE 76319-06-000 SCREW G11-08-0BT (6) CLIP-WIRE 80734-02-000 SCREW G11-08-0BT	PLATE ASM-ADAPTERS CABLE ROOF MOUNTING PLATE W/ CABLE-CABLE ADAPTER, FITTINGS, AND CABLE RETAINING CLIP 

SATELLITE DISH INSTL

NO	PART NUMBER	DESCRIPTION
DM-1	SATELLITE DISH 137135-02-000 SCREW G67-10-12B (8) PLATE & BRACKET (SUPPLIED) SCREW G67-10-12B (10)	SATELLITE DISH ANTENNA ASM MANUAL SETUP 
DA-1	SATELLITE DISH 141454-01-CHT SCREW G67-10-12B (16) PLATE & BRACKET (SUPPLIED) SCREW G67-10-12B (10)	SATELLITE DISH ANTENNA ASM AUTOMATIC SETUP 

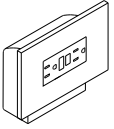
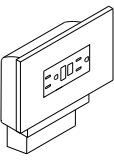
LEGEND



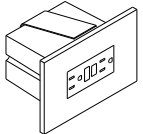
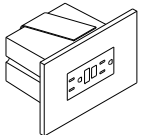
FIRST USED	96 MH'S
DO NOT SCALE DRAWING	
TITLE: PART LISTING-ELECT. TERMS	
SHEET 5	PART NO 121339

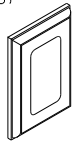
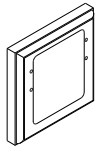
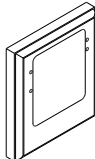
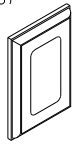
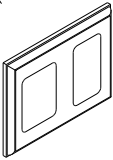
SPACERS

RECEPTACLE PACKAGE - GF I

NO	PART NUMBER	DESCRIPTION
GF1 US	RECEPTACLE 84100-01-CHT BOX 91910-02-000 COVER SUPPLIED W/ RECEPTACLE WIRE-BONDING 133678-03-000 SCREW G13-07-12B (4) CONNECTOR 8313-01-000	GF1 RECEPTACLE WITH COVER AND BOX FOR US APPLICATION 
GF1 CAN	RECEPTACLE 84100-01-CHT BOX 91910-01-000 COVER SUPPLIED W/ RECEPTACLE WIRE-BONDING 133678-03-000 SCREW G13-07-12B (4) CONNECTOR 8313-01-000	GF1 RECEPTACLE WITH COVER AND BOX FOR CANADA APPLICATION 

RECEPTACLE PACKAGE - GF I

NO	PART NUMBER	DESCRIPTION
GF1-L US	RECEPTACLE 84100-01-CHT BOX 133070-01-000 COVER SUPPLIED W/ RECEPTACLE WIRE-BONDING 133678-03-000 SCREW G13-07-12B (4) CONNECTOR 8313-01-000	GF1 RECEPTACLE WITH COVER AND BOX FOR US APPLICATION 
GF1-L CAN	RECEPTACLE 84100-01-CHT BOX 133070-02-000 COVER SUPPLIED W/ RECEPTACLE WIRE-BONDING 133678-03-000 SCREW G13-07-12B (4) CONNECTOR 8313-01-000	GF1 RECEPTACLE WITH COVER AND BOX FOR CANADA APPLICATION 

NO	PART NUMBER	DESCRIPTION
SP-01	SPACER 102568-01-XXX	STANDARD 110V RECEPTACLE SPACER (WOOD) 
SP-02	SPACER 102568-02-XXX	WOOD SPACER FOR CEILING MOUNTED A/C PREP BOX (US) 
SP-03	SPACER 102568-03-XXX	WOOD SPACER FOR CEILING MOUNTED A/C PREP BOX (CANADA) 
SP-04	SPACER 133713-01-XXX	STANDARD 110V RECEPTACLE SPACER (WOOD) 
SP-21	SPACER 126052-01-XXX	WOOD SPACER FOR 1 - 110V RECEPTACLE AND 1 - REAR TV (12V) JACK 

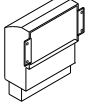
LEGEND

MISC.	SPACER
PART NUMBER XXXX LISTING XXX	XXXX PART NUMBER

FIRST USED 96 MH'S
DO NOT SCALE DRAWING
TITLE: PART LISTING-ELECT. TERMS
SHEET 6 PART NO 121339
PAGE A-6

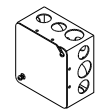
PREP-A/C, RECESSED (W/OUT FACTORY A/C)

NO	PART NUMBER	DESCRIPTION
PREP A/C-US	BOX 91910-02-000	BOX AND EQUIPMENT USED FOR A/C PREP (W/OUT FACTORY A/C). US APPLICATION (RECESSED IN ROOF)
	COVER 84099-02-CHT	
	LABEL 91243-01-000	
	SCREW G67-10-12B (4)	
	CONNECTOR 8313-01-000 (3)	
PREP A/C-CAN	BOX 91910-01-000	BOX AND EQUIPMENT USED FOR A/C PREP (W/OUT FACTORY A/C). CANADA APPLICATION (RECESSED IN ROOF)
	COVER 84099-02-CHT	
	LABEL 91243-01-000	
	SCREW G67-10-12B (4)	
	CONNECTOR 8313-01-000 (3)	



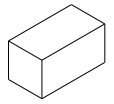
CONNECTION BOX, GENERATOR SERVICE FEED

NO	PART NUMBER	DESCRIPTION
J-GEN 30	BOX 8289-01-000	BOX AND EQUIPMENT USED FOR CONNECTING THE GENERATOR LEADS TO THE SERVICE ENTRANCE WIRES (US & CA APPLICATION)
	COVER 8294-01-000	
J-GEN 30-US	SCREW G67-10-10B (2)	
	WIRE ASM-GROUND 133678-02-000	
J-GEN 30-CA	WIRE NUT-GREY 8314-01-000 (3)	
	SCREW-GRND 103291-01-000	
	CONNECTOR-WIRE 8356-01-000	



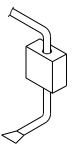
PREP-A/C, SURFACE (W/OUT FACTORY A/C)

NO	PART NUMBER	DESCRIPTION
PREP SURF	BOX 93603-01-000	SURFACE MOUNT, US AND CANADA, BOX AND EQUIPMENT FOR A/C PREP (W/OUT FACTORY A/C). TYPICALLY LOCATED ON OVERHEAD CABINET INNER WALL OR ON CEILING.
	COVER 53337-01-000	
	LABEL 91243-01-000	
	SCREW-GRND 103291-01-000	
	WIRE-BONDING 8019-01-000	
	SCREW G11-08-12B (2)	
	TERMINAL 8328-01-000	
	CONNECTOR 8313-01-000 (2)	
	CONNECTOR 8311-01-000	



CONNECTION BOX-POWER CORD

NO	PART NUMBER	DESCRIPTION
J-PC 30	BOX 8289-01-000	CONNECTION BOX IN POWER CORD COMPT FOR POWER CORD (US & CA APPLICATION)
	COVER 8294-01-000	
J-PC 30-US	SCREW G67-10-10B (2)	
	WIRE ASM-GROUND 133678-02-000	
J-PC 30-CA	CONNECTOR 8314-01-000 (3)	
	SCREW-GRND 103291-01-000	
	CONNECTOR 8356-02-000	
	CONNECTOR (PC) 8355-01-000	

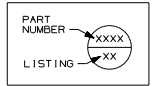


CONNECTION BOX-GENERATOR RECEPTACLE

NO	PART NUMBER	DESCRIPTION
J-RCP 30	BOX 8289-01-000	CONNECTION BOX IN POWER CORD COMPT FOR THE GENERATOR RECEPTACLE (US & CA APPLICATION)
	RECEPTACLE 24924-02-000	
J-RCP 30-US	COVER 69238-01-000	
	SCREW G67-10-10B (2)	
J-RCP 30-CA	WIRE ASM-GROUND 133678-02-000	
	SCREW-GRND 103291-01-000	
	CONNECTOR 8314-01-000	



LEGEND



FIRST USED	96 MH'S
TITLE:	DO NOT SCALE DRAWING
PART LISTING-ELECT. TERMS	
SHEET 7	PART NO 121339

CODE GA/COLOR	FROM	TO
A 14 YEL	GALLEY CEILING LAMP SWITCH	GALLEY CEILING LAMP
B 12 YEL	OVERCURRENT PROTECTION (30A BREAKER TYPICAL)	POWER PASSENGER SEAT ("BUDDY SEAT")
C 12 WHT	POWER PASSENGER SEAT	GROUND
D 14 YEL	SHOWER OVHD LAMP SWITCH SEE WIRE PF, START OF 97	SHOWER OVHD LAMP
E 095038-01-	PHONE INPUT JACK	REAR PHONE JACK
F 095038-01-	PHONE INPUT JACK	EXTERIOR PHONE JACK
G 12/ 10 YEL	OVERCURRENT PROTECTION (30A BREAKER TYPICAL)	HIGH SPEED HEATER FAN (USE 10 IF OVER 6' RUN)
H 095038-01-	PHONE INPUT JACK	FRONT PHONE JACK
J 6 BLK	OVERCURRENT PROTECTION (45 OR 55A BREAKER TYP)	COACH 12V PANEL/ CONVERTER BATTERY CHARGE
K 6 BLK	OVERCURRENT PROTECTION (45 OR 55A BREAKER TYP)	COACH 12V PANEL
L 6 GRN	CONVERTER 45 OR 55 AMP	GROUND
M 6 BLK	OVERCURRENT PROTECTION (45 OR 50A BREAKER)	CONVERTER BATTERY CHARGE
N 10 WHT	REFRIGERATOR	GROUND
P 10YEL(BLK)	OVERCURRENT PROTECTION (20A FUSE TYPICAL)	REFRIGERATOR (3 WAY)
R 8 GRN	REFRIGERATOR CHASSIS	GROUND
S 8 OR 6 GRN	GROUND BAR (LEFT SIDE)	CHASSIS GROUND

CODE GA/COLOR	FROM	TO
T 8 OR 6 GRN	GROUND BAR (RIGHT SIDE)	CHASSIS GROUND
U 6 GRN	CONVERTER CHASSIS	GROUND
W 8 GRN	- GROUND STUD	- GROUND STUD
X 14 YEL	- CHASSIS BRAKE LAMP CIRCUIT	- CENTER MOUNT BRAKE LAMP
Y 16 YEL	VOLUME CONTROL	RADIO/TV SPEAKER
AA 16 WHT	SERVICE ENGINE SOON LAMP	VEHICLE SERVICE ENGINE SOON LAMP CIRCUIT
AB 16 WHT	WATER TANK LEVEL SENSORS	GROUND
AC 16 WHT	MAIN HOLDING TANK SENSORS (BLACK WATER)	GROUND
AD 16 WHT	AUXILIARY HOLDING TANK #1 (GRAY WATER)	GROUND
AE 16 WHT	AUXILIARY HOLDING TANK #2 (GRAY WATER)	GROUND
AF 12 YEL	WATER PUMP SWITCH #1	MONITOR PANEL WATER PUMP SWITCH
AG 12 YEL	WATER PUMP SWITCH #1	MONITOR PANEL WATER PUMP SWITCH
AH 14 YEL	OVERCURRENT PROTECTION (10A FUSE TYPICAL)	BRAKE LAMP SWITCH WARNING LAMP (IGNITION RUN/START FED)
AJ 12 WHT	CHASSIS GROUND	BODY GROUND
AK 12 WHT	CHASSIS GROUND	BODY GROUND
AL 12 YEL	HEATER CONTROL (LOW SPEED)	BLOWER MOTOR (LOW SPEED)

CODE GA/COLOR	FROM	TO
AM 12YEL(WHT)	HEATER CONTROL (MEDIUM/LOW SPEED)	BLOWER MOTOR (MEDIUM/LOW SPEED)
AN 12 YEL	HEATER CONTROL (MEDIUM/HIGH SPEED)	BLOWER MOTOR (MEDIUM/HIGH SPEED)
AP 14 YEL	IGNITION SWITCH ACCESSORY FEED	OVERCURRENT PROTECTION (15A FUSE TYPICAL)
AR 14 WHT	HORN, FOG LAMPS	GROUND
AS 16 WHT	DASH RADIO	RIGHT FRONT SPEAKER (NEGATIVE)
AT 16 WHT	DASH RADIO	LEFT FRONT SPEAKER (NEGATIVE)
AU 16 YEL	OVERCURRENT PROTECTION (15A BREAKER TYPICAL)	FRONT CARGO LAMP SWITCH (IGNITION ACCESSORY FED)
AW 16 YEL	FRONT CARGO LAMP SWITCH	REAR CARGO LAMP SWITCH
AX 16 YEL	FRONT CARGO LAMP SWITCH	REAR CARGO LAMP SWITCH
AY 16 YEL	REAR CARGO LAMP SWITCH	CARGO LAMPS
BA 14 WHT	WINDSHIELD WIPER MOTOR	GROUND
BB 16 YEL	OVERCURRENT PROTECTION (6A BREAKER TYPICAL)	INSTRUMENT PANEL GAUGES (IGNITION ACCESSORY FED)
BC 14 WHT	INDICATOR LAMPS	GROUND
BD 14 YEL	OVERCURRENT PROTECTION (10A FUSE TYPICAL)	BRAKE LAMP SWITCH
BE 12 WHT	BLOWER MOTOR	GROUND
BF 14 WHT	WASHER BOTTLE PUMP/HORN	GROUND

CODE GA/COLOR	FROM	TO
BG 14 YEL	FUEL SENDER	FUEL GAUGE
BH 14 YEL	RUN ONLY POWER RELAY	ENGINE WIRING
BJ 16 YEL	OVERCURRENT PROTECTION (10A FUSE TYPICAL)	ENGINE WIRING (IGNITION RUN/START FED)
BK 14 YEL	OVERCURRENT PROTECTION (10A FUSE TYPICAL)	HORN RELAY FEED
BL 16 WHT	CIGAR LIGHTER	GROUND
BM 16 YEL	CHASSIS BATTERY POWER	CIGAR LIGHTER
BN 16 YEL	ACCESSORY POWER	SPOTLAMP
BP 14 WHT	POWER MIRROR	GROUND
BR 14 YEL	POWER MIRROR (RIGHT SIDE)	POWER MIRROR CONTROL SWITCH
BS 14 YEL	POWER MIRROR HEAT SWITCH	POWER MIRRORS
BT 14 YEL	POWER MIRROR (LEFT SIDE)	POWER MIRROR CONTROL SWITCH
BU 14 YEL	RUN ONLY POWER	POWER MIRROR HEAT/ CONTROL SWITCHES
BW 12 YEL	IGNITION SWITCH	ACCESSORY CIRCUIT FEED
BX 12YEL(ORN)	IGNITION SWITCH RUN ONLY SOURCE	GENERAL(TURN, BACK UP,DASH IGNITION CIRCUIT,ETC)
BY 12YEL/8BLK	OVERCURRENT PROTECTION (16GA FUSELINK)(8GA PASSTHRU)	CHASSIS BATTERY SOURCE(AUTO AC BLOWER,POWER DRIVER SEAT,ETC)
CA 12 YEL	OVERCURRENT PROTECTION (16GA FUSELINK TYPICAL)	CHASSIS BATTERY SOURCE

CODE GA/COLOR	FROM	TO
CB 12 YEL	IGNITION SWITCH START SOURCE	START CIRCUIT SOURCE
CC 16 YEL	ALTERNATOR	ALTERNATOR WARNING LAMP
CD 16 YEL	OIL PRESSURE WARNING SENDER	OIL PRESSURE WARNING LAMP
CE 16 YEL	WATER TEMPERATURE WARNING SENDER	WATER TEMPERATURE WARNING LAMP
CF 14 YEL	REAR TV JACK	POWER FEED SWITCH
CG 14 YEL	CLUTCH/NEUTRAL SWITCH	START ISOLATION RELAY
CH 14 YEL	START RELAY	ENGINE WIRING
CJ 14 YEL	WINDSHIELD WIPER/WASHER CONTROL SWITCH	WINDSHIELD WASHER PUMP
CK 16 YEL	TELEVISION	SPEAKER (POSITIVE)
CL 16 WHT	TELEVISION	SPEAKER (NEGATIVE)
CM 10 YEL	OVERCURRENT PROTECTION (15A BREAKER TYPICAL)	INVERTER FEED
CN 10 WHT	INVERTER	GROUND
CP 12 WHT	INVERTER CHASSIS	GROUND
CR 16 WHT	VEHICLE CHECK ENGINE LAMP CIRCUIT	CHECK ENGINE LAMP
CS 16 WHT	REMOTE THERMOSTAT (RC TERM/ORG EXPORT AIR)	GROUND
CT 16 YEL	DAYTIME RUNNING LAMP MODULE OUTPUT(PIN 30)	LOW BEAM HEADLAMP CIRCUIT

CODE GA/COLOR	FROM	TO
CU 16 YEL	DAYTIME RUNNING LAMP MODULE ENABLE(PIN 85)	RUN/START CIRCUIT
CW 14 YEL	DAYTIME RUNNING LAMP MODULE POWER(PIN 87A)	CHASSIS BATTERY POWER
CX 16 WHT	DAYTIME RUNNING LAMP MODULE GROUND(PIN 87)	GROUND
CY 16 YEL	DAYTIME RUNNING LAMP MODULE HIGH BEAM DISABLE(PIN 86)	HIGH BEAM HEADLAMP CIRCUIT
DA 12 YEL	SHOWER SUMP SYSTEM PUMP SWITCH	SHOWER SUMP SYSTEM PUMP
DB 12 WHT	SHOWER SUMP SYSTEM PUMP	GROUND
DC 16 YEL	REAR ROOF AIR CONDITIONER EXHAUST CIRCUIT	THERMOSTAT
DD 16 YEL	REAR ROOF AIR CONDITIONER COOL CIRCUIT	THERMOSTAT (Y TERM-EXPORT AIR/YEL)
DE 16 YEL	REAR ROOF AIR CONDITIONER HIGH SPEED FAN CIRCUIT	THERMOSTAT (H TERM-EXPORT AIR/BLU)
DF 16 YEL	REAR ROOF AIR CONDITIONER LOW SPEED FAN CIRCUIT	THERMOSTAT (G TERM-EXPORT AIR/RED)
DG 12YEL(GRY)	IGNITION SWITCH	ACCESSORY/RUN FEED
DH 14 YEL	EMERGENCY SHUTDOWN GAUGE	FUEL SOLENOID (DIESEL ENGINE)
DJ 16 YEL	TV/RADIO SPEAKER SWITCHING RELAY OUTPUT	LEFT REAR SPEAKER POSITIVE
DK 16 WHT	TV/RADIO SPEAKER SWITCHING RELAY OUTPUT	LEFT REAR SPEAKER NEGATIVE
DL 16 YEL	TV/RADIO SPEAKER SWITCHING RELAY OUTPUT	RIGHT REAR SPEAKER POSITIVE
DM 16 WHT	TV/RADIO SPEAKER SWITCHING RELAY OUTPUT	RIGHT REAR SPEAKER NEGATIVE

CODE GA/COLOR	FROM	TO
DN 10 YEL	BATTERY DISCONNECT RELAY	CIRCUIT BREAKER SLIDEOUT ROOM CIRCUIT BRKR
DP 14 YEL	TV/RADIO SPEAKER FEED SELECT SWITCH	TV/RADIO SPEAKER SWITCHING RELAY COIL INPUT OR AMPLIFIER
DR 16 YEL	SLIDEOUT ROOM SWITCH (ROOM ONE EXTEND)	HWH WIRING (ROOM ONE EXTEND)
DS 10 WHT	SLIDEOUT ROOM CONTROL SWITCH	GROUND
DT 16 YEL	SLIDEOUT ROOM RELAY (PIN 30)	SLIDEOUT ROOM CONTROL SWITCH
DJ 16 YEL	SLIDEOUT ROOM SWITCH(G OR M) (ROOM ONE RETRACT)	HWH WIRING (ROOM ONE RETRACT)
DW 16 WHT	SLIDEOUT ROOM SWITCH (G) (SWITCHED GROUND TO PUMP)	HWH WIRING (SWITCHED GROUND TO PUMP)
DX 16 WHT	HWH WIRING (G) (GROUND)	SLIDEOUT ROOM SWITCH (GROUND)
DY 16 WHT	HWH WIRING (G) (JACK SENSE)	SLIDEOUT ROOM RELAY SWITCHED GROUND)
EA 16 YEL	HWH WIRING (G) (ACCESSORY POWER)	SLIDEOUT ROOM RELAY (ACCESSORY POWER)
EB 16 YEL	SLIDEOUT ROOM RELAY (G) (SWITCHED ACCESSORY POWER)	FRT/RR SLIDEOUT ROOM SWITCH (SWITCHED EXTEND/RETRACT PWR)
EC 10 YEL	CHASSIS BATTERY POWER SOURCE (BATTERY MODE SOLENOID POST)	THRU FUSE TO AMP SOURCE SELECT RELAY(PIN 87)(OPTION 21V,95 Q)
ED 10 YEL	COACH BATTERY POWER SOURCE (BATTERY MODE SOLENOID POST)	THRU FUSE TO AMP SOURCE SELECT RELAY(PIN 87A)(OPTION 21V,95Q)
EE 16 YEL	AIR RIDE SUSPENSION LEFT DOWN SWITCH POSITION	AIR RIDE SUSPENSION LEFT HEIGHT CONTROL BOX
EF 16 YEL	AIR RIDE SUSPENSION LEFT UP SWITCH POSITION	AIR RIDE SUSPENSION LEFT HEIGHT CONTROL BOX
EG 16 WHT	AIR RIDE SUSPENSION WIRE ASM GROUND	AIR RIDE SUSPENSION CONTROL LAMP GROUNDS

CODE GA/COLOR	FROM	TO
EH 16 YEL	AIR RIDE SUSPENSION RIGHT DOWN SWITCH POSITION	AIR RIDE SUSPENSION RIGHT HEIGHT CONTROL BOX
EJ 16 YEL	AIR RIDE SUSPENSION RIGHT UP SWITCH POSITION	AIR RIDE SUSPENSION RIGHT HEIGHT CONTROL BOX
EK 16 YEL	AIR RIDE SUSPENSION AUTO MODE SWITCH POSITION	AIR RIDE SUSPENSION HEIGHT CONTROL BOXES
EL 16 YEL	RUN ONLY POWER	AIR RIDE SUSPENSION AUTO/MANUAL MODE SWITCH
EM 16 YEL	AIR RIDE SUSPENSION COMPRESSOR	COMPRESSOR ON WARNING LAMP
EN 16 YEL	AIR RIDE SUSPENSION MANUAL MODE SWITCH POSITION	LEVEL CONTROL SWITCHES AND INDICATOR LAMP
EP 14 YEL	OVERCURRENT PROTECTION (15A BREAKER TYPICAL)	SPOTLAMP
ER 16 YEL	OVERCURRENT PROTECTION (6A BREAKER TYPICAL)	ELECTRIC STEP KILL SWITCH
ES 16 YEL	ELECTRIC STEP KILL SWITCH	ELECTRIC STEP
ET 16 YEL	OVERCURRENT PROTECTION (6A BREAKER TYPICAL)	REFRIGERATOR (2 WAY)
EU 16 WHT	REFRIGERATOR (2 WAY)	GROUND
EW 14 YEL	FUEL HEATER SWITCH	FUEL HEATER (DIESEL ENGINE)
EX 14 YEL	TELEVISION POWER SWITCH	TELEVISION WALL PLATE
EY 12YELLTBLU	OVERCURRENT PROTECTION (16GA FUSELINK TYPICAL)	IGNITION SWITCH FEED #2
FA 14 YEL	DRIVER'S DOOR PASSENGER SIDE POWER WINDOW SWITCH(DOWN,PIN2)	PASSENGER'S POWER WINDOW SWITCH(PIN 2)
FB 14 YEL	DRIVER'S DOOR PASSENGER SIDE POWER WINDOW SWITCH(UP,PIN 4)	PASSENGER'S POWER WINDOW SWITCH(PIN 4)

CODE GA/COLOR	FROM	TO
FC 14 YEL	PASSENGER'S DOOR POWER WINDOW SWITCH(DOWN,PIN 1)	PASSENGER'S DOOR POWER WINDOW MOTOR(DOWN)
FD 14 YEL	PASSENGER'S DOOR POWER WINDOW SWITCH(UP,PIN 5)	PASSENGER'S DOOR POWER WINDOW MOTOR(UP)
FG 10 YEL	AMPLIFIER POWER SOURCE SELECT RELAY (PIN 30)	AMPLIFIER POWER FEED (DELUXE SOUND SYSTEM,95 LUXOR)
FH 10 WHT	AMPLIFIER (DELUXE SOUND SYSTEM,95 LUXOR)	GROUND
FJ 12 YEL	WATER PUMP SWITCH #2 (THREE SWITCH SYSTEM)	WATER PUMP SWITCH #1 (THREE SWITCH SYSTEM)
FK 12 YEL	WATER PUMP SWITCH #2 (THREE SWITCH SYSTEM)	WATER PUMP SWITCH #1 (THREE SWITCH SYSTEM)
FL 14 YEL	SECOND PORCH LAMP SWITCH	SECOND PORCH LAMP
FM 14 WHT	SOLENOID MOUNTING BOLT	GROUND
FN 16 YEL	SOURCE SELECTOR SWITCH (DELUXE SOUND SYSTEM,95 LUXOR)	AMP & EQUALIZER REMOTE TRIGGER (DELUXE SOUND SYSTEM,95 LUXOR)
FP 16 YEL	EXHAUST BRAKE SWITCH (DIESEL PUSHER CHASSIS)	CHASSIS EXHAUST BRAKE HARNESS & BRAKE ON DASH INDICATOR LAMP
FR 14 YEL	FORD RUN/ACCESSORY IGNITION CIRCUIT(WHT/PUR,10A FUSED)	DOCKING LAMPS, RELAY TRIGGER, REAR MONITOR CAMERA FEED
FS 14 YEL	DOCKING LAMPS RELAY(PIN 87)	DOCKING LAMPS
FT 14 WHT	DOCKING LAMPS	GROUND
FU 14 YEL	AUTOMOTIVE AIR WIRING	FORD A/C COMPRESSOR CLUTCH SWITCH CIRCUIT
FW 14 YEL	DOCKING LAMPS SWITCH	DOCKING LAMPS RELAY(PIN 30)
FX 12YELLTBLU	OVERCURRENT PROTECTION (30A BRKR OR FUSE)	POWER DRIVER SEAT (I E ,6 WAY)

CODE GA/COLOR	FROM	TO
FY 12 WHT	POWER DRIVER SEAT (I E ,6 WAY)	GROUND
GA 14 YEL	WATER SYSTEM WINTERIZATION SWITCH	WINTERIZATION VALVE
GB 14 YEL	WATER HEATER BYPASS SWITCH	WATER HEATER BYPASS VALVE
GC 16 YEL	SLIDEOUT ROOM SPDT SWITCH (M) (SWITCHED WIRE)	HWH WIRING (SWITCHED WIRE)
GD 16 YEL	WIPER CONTROL MODULE	WIPER MOTOR (S TERMINAL)
GE 16 YEL	SWITCHED DOME LAMP FEED	DOME LAMP
GF 16 WHT	COMMON REAR CHANNEL SPEAKER RETURN	REAR SPEAKERS
GG 16 YEL	RADIO REMOTE TRIGGER (DELUXE SOUND OPTION)	SOURCE SELECTOR SWITCH (LUXOR)
GH 14 WHT	GLOW PLUG WAIT LAMP (DIESEL ENGINE)	ENGINE SENDER
GJ 16 YEL	COACH BATTERY POWER (UPSTREAM OF DISCONNECT)	LP DETECTOR AND/OR SOLAR PANEL WIRING OVERCURRENT PROTECTION
GK 14 YEL	AIR HORN SWITCH	CHASSIS HORN
GL 16 WHT	WATER/HOLDING TANKS LEVEL SENSORS	GROUND
GM 16 YEL	JET AIR RIDE SUSPENSION PRESSURE SENSORS	CHECK REAR AIR SUSPENSION DASH WARNING LAMP
GN 16 YEL	REAR TV SPEAKER OUTPUT (POSITIVE)	REAR TV SPEAKER (POSITIVE)
GP 16 WHT	REAR TV SPEAKER OUTPUT (NEGATIVE)	REAR TV SPEAKER (NEGATIVE)
GR 14 YEL	THERMOSTATICALLY CONTROLLED ROOF VENT (SEND)	THERMOSTAT (RETURN)

CODE GA/COLOR	FROM	TO
GS 14 YEL	THERMOSTATICALLY CONTROLLED ROOF VENT (RETURN)	THERMOSTAT (RETURN)
GT 16 YEL	RADIO POWER SWITCH (MEMORY FEED)	RADIO (MEMORY FEED)
GU 16 YEL	DEFOG MODULE OUTPUT	DEFOG RELAY, INDICATOR LAMP
GW 16 WHT	DEFOG SWITCH ON/OFF	DEFOG MODULE ON/OFF
GX 16/12 WHT	STEP COVER SWITCH (REF AAA-16/KA-12)	GROUND
GY 12 YEL	DEFOG RELAY	DEFOG UNIT
HA 14 YEL	READING LAMPS SWITCH (93 VANS)	READING LAMPS
HB 14 YEL	MOOD LAMPS SWITCH (93 VANS)	MOOD LAMPS
HC 14 YEL	12V POWER SOURCE (93 VANS)	OVERCURRENT PROTECTION (15A FUSE TYPICAL)
HD 14 YEL	SOFA SLIDE MOTOR POSITIVE (94 VANS)	SOFA MONOPLEX CONTROLLER
HE 14 WHT	SOFA SLIDE MOTOR NEGATIVE (94 VANS)	SOFA MONOPLEX CONTROLLER
HF 14 YEL	SOFA RECLINE MOTOR POSITIVE (94 VANS)	SOFA MONOPLEX CONTROLLER
HG 14 WHT	SOFA RECLINE MOTOR NEGATIVE (94 VANS)	SOFA MONOPLEX CONTROLLER
HH 16 YEL	SOFA MONOPLEX SWITCH (94 VANS)	SOFA MONOPLEX CONTROLLER
HJ 16 WHT	SOFA MONOPLEX SWITCH (94 VANS)	GROUND
HK 14 WHT	SOFA MONOPLEX CONTROLLER (94 VANS)	GROUND

CODE GA/COLOR	FROM	TO
HL 14 YEL	FLOOD LAMP SWITCH (94 VANS)	FLOOD LAMP
HM 16 YEL	REAR TV SPEAKER OUTPUT (POSITIVE)	REAR TV SPEAKER (POSITIVE)
HN 16 WHT	REAR TV SPEAKER OUTPUT (NEGATIVE)	REAR TV SPEAKER (NEGATIVE)
HP 16 YEL	OVERCURRENT PROTECTION (94 VANS)	REAR AC
HR 14 YEL	SWITCH (94 1200 MODEL VAN)	12VOLT RECEPTACLE
HS 16 YEL	SOLAR PANEL (1HS INDICATOR TO BATTERY)	COACH BATTERY THRU OVERCURRENT PROTECTION
HT 16 WHT	SOLAR PANEL (1HT INDICATOR TO GROUND)	GROUND
HU 16 YEL	GENERATOR SWITCH (LED)	GENERATOR (POSITION B)
HW 16 YEL	LICENSE PLATE LAMP FEED	LICENSE PLATE LAMP
HX 16 YEL	CHASSIS CLEARANCE LAMP CRT #2	CLEARANCE/MARKER LAMPS
HY 12 WHT	DEFOG UNIT	GROUND
JA 14 YEL	OVERCURRENT PROTECTION (15A FUSE/BREAKER TYPICAL)	WATER PUMP, MONITOR PANEL, ETC ("CLEAN CIRCUIT", REF JP)
JB 14 YEL	OVERCURRENT PROTECTION (15A FUSE/BREAKER TYPICAL)	FURNACE, ROOF VENT, ETC (REF JM)
JC 14 YEL	OVERCURRENT PROTECTION (15A FUSE/BREAKER TYPICAL)	COACH LIGHTING, ETC CIRCUIT #1 (REF NC)
JD 14 YEL	OVERCURRENT PROTECTION (15A FUSE/BREAKER TYPICAL)	COACH LIGHTING, ETC CIRCUIT #2 (REF ND)
JE 14 YEL	OVERCURRENT PROTECTION (15A FUSE/BREAKER TYPICAL)	COACH LIGHTING, ETC CIRCUIT #3 (REF NE)

CODE GA/COLOR	FROM	TO
JF 14 YEL	OVERCURRENT PROTECTION (15A FUSE/BREAKER TYPICAL)	COACH LIGHTING, ETC CIRCUIT #4 (REF NF)
JG 14 YEL	OVERCURRENT PROTECTION (15A FUSE/BREAKER TYPICAL)	COACH LIGHTING, ETC(ALT CLEAN) CIRCUIT #5 (REF JN)
JH 14 YEL	MAIN FURNACE (12V POWER)	MAIN FURNACE THERMOSTAT
JJ 14 YEL	MAIN FURNACE (HEAT)	MAIN FURNACE THERMOSTAT
JK 14 YEL	AUXILIARY FURNACE	AUXILIARY FURNACE THERMOSTAT
JL 14 YEL	AUXILIARY FURNACE	AUXILIARY FURNACE THERMOSTAT
JM 14 WHT	MAIN FURNACE	GROUND
JN 14 WHT	COACH LIGHTING CIRCUIT #5 (REF JG)	GROUND(ALTERNATE CLEAN CIRCUIT FOR LINEAR CONVERTER)
JP 14 WHT	CLEAN CIRCUIT DEVICES (REF JA)	GROUND
JR 16 YEL	MONITOR PANEL	LP TANK #2 LEVEL SENSOR
JS 12 YEL	MONITOR PANEL WATER PUMP SWITCH	WATER PUMP
JT 16 YEL	MONITOR PANEL	LP TANK #1 LEVEL SENSOR
JU 14 YEL	MONITOR PANEL WATER HEATER SWITCH	WATER HEATER (BLU)
JW 14 YEL	MONITOR PANEL WATER HEATER SWITCH	WATER HEATER (BRN)
JX 14 WHT	WATER HEATER	GROUND
JY 12 WHT	WATER PUMP	GROUND

CODE GA/COLOR	FROM	TO
KA 10 YEL	OVERCURRENT PROTECTION (25A BREAKER TYPICAL)	ELECTRIC STEP BATTERY POWER
KB 10 YEL	OVERCURRENT PROTECTION (25A BREAKER TYPICAL)	ELECTRIC STEP KILL SWITCH (OLD STEP WIRING STYLE)
KC 10 YEL	ELECTRIC STEP KILL SWITCH (OLD STEP WIRING STYLE)	ELECTRIC STEP
KD 18 WHT	ELECTRIC STEP DOOR JAMB SWITCH	ELECTRIC STEP
KE 14 YEL	RUN ONLY POWER SOURCE	GENERAL PURPOSE(RELAY TRIGGER, REAR AUTO HTR,DRL,MONITOR,ETC)
KF 16 WHT	COACH BATTERY DISCONNECT RELAY SWITCH	GROUND
KG 14 YEL	POWER LIFT VENT (BLU)	POWER LIFT SWITCH(UP)
KH 14 YEL	POWER LIFT VENT (RED)	POWER LIFT SWITCH(DOWN)
KJ 14 YEL	POWER LIFT VENT (BLK)	FAN SWITCH
KK 16 YEL	REAR STEREO	RIGHT SPEAKER (POSITIVE)
KL 16 WHT	REAR STEREO	RIGHT SPEAKER (NEGATIVE)
KM 14 YEL	POWER LIFT VENT LAMP	LAMP SWITCH
KN 16 YEL	REAR STEREO	LEFT SPEAKER (POSITIVE)
KP 16 WHT	REAR STEREO	LEFT SPEAKER (NEGATIVE)
KR 14 WHT	REAR STEREO ANTENNA	GROUND
KS 14 YEL	REAR AUTO HEATER SWITCH (HIGH SPEED)	REAR AUTO HEATER

CODE GA/COLOR	FROM	TO
KT 14 YEL	REAR AUTO HEATER SWITCH (MEDIUM SPEED)	REAR AUTO HEATER
KU 14 YEL	REAR AUTO HEATER SWITCH (LOW SPEED)	REAR AUTO HEATER
KW 16 YEL	DASH RADIO	RIGHT FRONT SPEAKER (POSITIVE)
KX 16 YEL	DASH RADIO	RIGHT REAR SPEAKER (POSITIVE)
KY 16 YEL	DASH RADIO	LEFT FRONT SPEAKER (POSITIVE)
LA 16 YEL	DASH RADIO	LEFT REAR SPEAKER (POSITIVE)
LB 16 WHT	DASH RADIO	RIGHT REAR SPEAKER (NEGATIVE)
LC 16 WHT	DASH RADIO	LEFT REAR SPEAKER (NEGATIVE)
LD 14 YEL	IGNITION SWITCH ACCESSORY POWER SOURCE	GENERAL PURPOSE(AUX FANS,RELAY TRIGGER,ETC)
LE 14 YEL	AUXILIARY DEFROST FANS SWITCH (HIGH SPEED)	AUXILIARY DEFROST FANS (BLK)
LF 14 YEL	AUXILIARY DEFROST FANS SWITCH (LOW SPEED)	AUXILIARY DEFROST FANS (RED)
LG 16 YEL	COACH BATTERY DISCONNECT RELAY (TERMINAL I)	COACH BATTERY DISCONNECT RELAY SWITCH
LH 16 YEL	COACH BATTERY DISCONNECT RELAY (TERMINAL S)	COACH BATTERY DISCONNECT RELAY SWITCH
LJ 16 YEL	COACH BATTERY DISCONNECT RELAY BATTERY SIDE FUSE FEED	COACH BATTERY DISCONNECT RELAY SWITCH
LK 16 YEL	COACH BATTERY DISCONNECT RELAY LOAD SIDE FUSE FEED	COACH BATTERY DISCONNECT RELAY SWITCH/INDICATOR LAMP
LL 16 WHT	GENERATOR SWITCH (START)	GENERATOR (RED)

CODE GA/COLOR	FROM	TO
LM 16 WHT	GENERATOR SWITCH (STOP)	GENERATOR (ORN)
LN 16 WHT	GENERATOR SWITCH/INDICATOR (GROUND)	GENERATOR (GRN)
LP 16 YEL	GENERATOR SWITCH/INDICATOR (RUN)	GENERATOR (BLU)
LR 14 YEL	BATTERY MODE SWITCH (AUX START SWITCH)	BATTERY MODE SOLENOID (AUX START SOLENOID)
LS 12 YEL	OVERCURRENT PROTECTION 20A BREAKER TYPICAL,COACH FEED	GENERAL PURPOSE(BATTERY MODE, RADIO POWER,BATTERY CONDITION)
LT 16 YEL	BATTERY CONDITION SWITCH	VOLTMETER (POWER FEED)
LU 14 YEL	CHASSIS BRAKE LAMP CIRCUIT	VEHICLE BRAKES, TAG AXLE CONTROL MODULE,ETC
LW 14 YEL	WIPER CONTROL MODULE (PARK)	WINDSHIELD WIPER MOTOR (FRONT)
LX 14 YEL	WIPER CONTROL MODULE (LOW SPEED)	WINDSHIELD WIPER MOTOR (FRONT)
LY 14 YEL	WIPER CONTROL MODULE (HIGH SPEED)	WINDSHIELD WIPER MOTOR (FRONT)
MA 14 YEL	WIPER CONTROL MODULE (WASHER BOTTLE PUMP)	WINDSHIELD WASHER BOTTLE PUMP (FRONT)
MB 14 YEL	CHASSIS WINDSHIELD WIPER FEED CIRCUIT	OVERCURRENT PROTECTION (6A BREAKER TYPICAL)
MC 16 WHT	INSTRUMENT PANEL LAMPS	GROUND
MD 14 YEL	OVERCURRENT PROTECTION (15A BREAKER TYPICAL)	REMOTE MIRROR RELAY/POWER WINDOW FEED
ME 14 YEL	OVERCURRENT PROTECTION (15A BREAKER TYPICAL)	AIR HORN RELAY FEED/ MARKER LAMPS RELAY FEED
MF 14 YEL	OVERCURRENT PROTECTION (15A BREAKER TYPICAL)	FOG LAMP RELAY FEED/ SPOT LAMP FEED

CODE GA/COLOR	FROM	TO
MG 14 WHT	GENERAL PURPOSE(RELAYS,DASH DEVICES,ETC)	GROUND
MH 16 WHT	CHASSIS CHOKE LAMP INDICATOR CIRCUIT	CHOKE LAMP
MJ 14 YEL	CHASSIS WINDSHIELD WIPER FEED CIRCUIT	WIPER CONTROL MODULE (POWER FEED)
MK 14 YEL	CHASSIS BATTERY POWER FEED CIRCUIT	GENERAL PURPOSE(CIGAR LIGHTER, DOME/COURTESY LAMPS,ETC)
ML 16 YEL	CHASSIS INSTRUMENT PANEL LAMPS FEED CIRCUIT	INSTRUMENT PANEL LAMPS
MM 14 YEL	CHASSIS CLEARANCE LAMP CRT #1 (BRN TYPICAL)	CLEARANCE/MARKER LAMPS
MN 14 WHT	DOME LAMP SWITCHED GROUND	DOME LAMP SWITCH(DOOR JAMB, INSTRUMENT PANEL SWITCH,ETC)
MP 18/16 WHT	ELEC STEP DOOR JAMB SWITCH, LP TANK SENDER, ETC	GROUND
MR 14 YEL	REAR WINDOW WIPER SWITCH (LOW SPEED)	REAR WINDOW WIPER MOTOR (LOW SPEED)
MS 14 WHT	CLEARANCE/MARKER LAMPS	GROUND
MT 8 WHT	ELECTRIC STEP	GROUND
MU 14 WHT	GENERAL PURPOSE(CIGAR LIGHTER, DOME LAMPS,12 V OUTLETS,ETC)	GROUND
MW 16 YEL	VEHICLE CHECK ENGINE LAMP CIRCUIT	CHECK ENGINE LAMP
MX 16 YEL	WINDSHIELD WIPER SWITCH	WIPER RELAY
MY 14 YEL	VEHICLE HEADLAMP FEED CIRCUIT	DIMMER MODULE
NA 14 YEL	VEHICLE HEADLAMP LOW BEAM CIRCUIT	DIMMER MODULE

CODE GA/COLOR	FROM	TO
NB 14 YEL	VEHICLE HEADLAMP HIGH BEAM CIRCUIT	DIMMER MODULE
NC 14 WHT	COACH LIGHTING CIRCUIT #1 (REF JC)	GROUND
ND 14 WHT	COACH LIGHTING CIRCUIT #2 (REF JD)	GROUND
NE 14 WHT	COACH LIGHTING CIRCUIT #3 (REF JE)	GROUND
NF 14 WHT	COACH LIGHTING CIRCUIT #4 (REF JF)	GROUND
NG 16 YEL	FOG LAMPS SWITCH	FOG LAMPS RELAY
NH 14 YEL	FOG LAMPS RELAY	FOG LAMPS
NJ 16 YEL	CHASSIS HORN FEED CIRCUIT	AIR HORN SWITCH
NK 14 YEL	AIR HORN SWITCH	AIR HORN AIR TANK AIR RELEASE VALVE
NL 14 YEL	AR HORN RELAY	AIR HORN AIR COMPRESSOR
NM 14 YEL	OVERCURRENT PROTECTION (15A FUSE TYPICAL)	COACH LIGHTING CIRCUIT #6 (REF PM)
NN 16 YEL	LEFT POWER MIRROR MOTOR (HORIZONTAL CONTROL, YEL)	POWER MIRROR CONTROL SWITCH
NR 16 YEL	LEFT POWER MIRROR (VERTICAL CONTROL, WHT)	POWER MIRROR CONTROL SWITCH
NS 14 YEL	POWER MIRROR HEATER SWITCH	POWER MIRRORS (RED)
NT 14 YEL	POWER MIRROR RELAY	POWER MIRROR CONTROL SWITCH
NU 14 YEL	AISLE LAMPS SWITCH #1	AISLE LAMPS SWITCH #2

CODE GA/COLOR	FROM	TO
NW 14 YEL	FRONT COMPARTMENT LAMPS SWITCH	COMPARTMENT LAMPS
NX 14 YEL	INTERSTATE COMMERCE COMMITTEE COURTESY BLINK SWITCH	CLEARANCE LAMPS
NY 14 YEL	AISLE LAMPS SWITCH #1	AISLE LAMPS SWITCH #2
PA 14 WHT	REAR AUTO HEATER	GROUND
PB 14 WHT	REAR WINDOW WIPER MOTOR	GROUND
PC 14 YEL	BEDROOM CEILING LAMP SWITCH	BEDROOM CEILING LAMP
PD 14 YEL	MAKE UP LAMP #1 SWITCH	MAKE UP LAMP #1
PE 14 YEL	BATH CEILING LAMP SWITCH	BATH CEILING LAMP
PF 14 YEL	SHOWER LAMP SWITCH WIRE D WAS FIRST USED ON C'S	SHOWER LAMP
PG 14 YEL	WARDROBE LAMP SWITCH	WARDROBE LAMP
PH 14 YEL	AISLE LAMPS SWITCH	AISLE LAMPS
PJ 14 YEL	PORCH LAMP SWITCH	PORCH LAMP
PK 14 YEL	STRIP LAMP SWITCH	STRIP LAMP
PL 14 YEL	FRONT CEILING LAMP SWITCH	FRONT CEILING LAMP
PM 14 WHT	COACH LIGHTING CIRCUIT #6 (REF NM)	GROUND
PN 16 WHT	RIGHT POWER MIRROR (COMMON,BLK)	POWER MIRROR CONTROL SWITCH

CODE GA/COLOR	FROM	TO
PP 16 YEL	RIGHT POWER MIRROR (HORIZONTAL CONTROL, YEL)	POWER MIRROR CONTROL SWITCH
PR 16 YEL	RIGHT POWER MIRROR (VERTICAL CONTROL, WHT)	POWER MIRROR CONTROL SWITCH
PS 14 YEL	MAP LAMP SWITCH	MAP LAMP
PT 14 YEL	BEVERAGE TRAY LAMP SWITCH	BEVERAGE TRAY LAMP
PU 14 YEL	DUMP LAMP SWITCH	DUMP LAMP
PW 14 YEL	OVERCURRENT PROTECTION (15A BREAKER TYPICAL)	POWER DOOR LOCK/UNLOCK RELAY (PIN 30)
PX 16 YEL	POWER DOOR LOCK SWITCH (LOCK) (PIN 1)	POWER DOOR LOCK RELAY (PIN 86)
PY 16 WHT	POWER DOOR LOCK SWITCH (UNLOCK) (PIN 5)	POWER DOOR UNLOCK RELAY (PIN 86)
RA 14 YEL	VEHICLE LEFT FRONT TURN SIGNAL CIRCUIT	LEFT FRONT TURN SIGNAL/MARKER LAMP
RB 14 YEL	VEHICLE RIGHT FRONT TURN SIGNAL CIRCUIT	RIGHT FRONT TURN SIGNAL/MARKER LAMP
RC 14 WHT	FRONT AUTOMOTIVE LAMPS(TURN, MARKER,ETC)	GROUND
RD 14 YEL	OVERCURRENT PROTECTION (15 A FUSE TYPICAL)	HAZARD FLASHER, HORN RELAY
RE 12 YEL	RADIATOR FAN RELAY#1 (COMMON)	RADIATOR FAN #1
RF 12 YEL	RADIATOR FAN RELAY #2 (COMMON)	RADIATOR FAN #2
RG 14 WHT	RADIATOR FAN THERMOSTAT SWITCH	RADIATOR FAN RELAYS (COILS, TRIGGER)
RH 12YEL(BLK)	OVERCURRENT PROTECTION (25A BREAKER TYPICAL)	RADIATOR FAN RELAY #1 (NORMALLY OPEN)

CODE GA/COLOR	FROM	TO
RJ 12YEL(BLK)	OVERCURRENT PROTECTION (25A BREAKER TYPICAL)	RADIATOR FAN RELAY #2 (NORMALLY OPEN)
RK 12 WHT	RADIATOR FAN #1	GROUND
RL 12 WHT	RADIATOR FAN #2	GROUND
RM 14 WHT	VEHICLE IGNITION SWITCH GROUND DURING START CIRCUIT	BULB CHECK(LOW TAG AIR,PARK BRAKE,ETC)
RN 14 YEL	AUTOMOTIVE AIR CONDITIONER THERMOSTAT CUTOFF SWITCH	AUTOMOTIVE AIR CONDITIONER COMPRESSOR CLUTCH
RP 14 YEL	AUTOMOTIVE AIR CONDITIONER COOLANT FAN CONTROL	COOLANT FAN RELAY
RR 14 YEL	BRAKE LAMP SWITCH	TURN SIGNAL SWITCH
RS 14 YEL	HEADLAMP SWITCH INSTRUMENT PANEL LAMP FEED SWITCH	OVERCURRENT PROTECTION (5A FUSE TYPICAL)
RT 14 YEL	HORN RELAY (COMMON)	HORN
RU 14 YEL	HORN RELAY (COIL)	HORN SWITCH
RW 14 YEL	HAZARD FLASHER	TURN SIGNAL SWITCH
RX 14 YEL	EUL WARNING LAMP	EUL MODULE
RY 14 WHT	INSTRUMENT CLUSTER/ EUL MODULE	GROUND
SA 14 YEL	ENGINE WATER TEMPERATURE SENDER	ENGINE WATER TEMPERATURE GAUGE
SB 14 YEL	ENGINE OIL PRESSURE SENDER	ENGINE OIL PRESSURE GAUGE
SC 14 YEL	VEHICLE RIGHT REAR TURN SIGNAL/BRAKE LAMP CIRCUIT	RIGHT REAR TURN SIGNAL/ BRAKE LAMPS

CODE GA/COLOR	FROM	TO
SD 14 YEL	VEHICLE LEFT REAR TURN SIGNAL/BRAKE LAMP CIRCUIT	LEFT REAR TURN SIGNAL/ BRAKE LAMPS
SE 16YEL(WHT)	SPEED SENSOR (TWISTED PAIR)	SPEEDOMETER AND SPEED CONTROL MODULE
SF 16WHT(BLK)	SPEED SENSOR (TWISTED PAIR)	SPEEDOMETER AND SPEED CONTROL MODULE
SG 14 YEL	IGNITION SWITCH START FEED	GENERAL(NEUTRAL SAFETY SWITCH, FUEL PUMP RELAY COIL,ETC)
SH 14 YEL	IGNITION SWITCH RUN/START FEED	GENERAL(IGNITION COIL RELAY NORMALLY OPEN CONTACT,ETC)
SJ 12YEL(BLK)	OVERCURRENT PROTECTION (16GA FUSELINK TYPICAL)	CHASSIS BATTERY FEED
SK 12YEL(WHT)	OVERCURRENT PROTECTION (16GA FUSELINK TYPICAL)	CHASSIS BATTERY HEADLAMP SWITCH FEED #1
SL 12YEL(BLU)	OVERCURRENT PROTECTION (16GA FUSELINK TYPICAL)	CHASSIS BATTERY IGNITION SWITCH FEED #1
SM 12YEL(BLK)	OVERCURRENT PROTECTION (16GA FUSELINK TYPICAL)	RADIATOR FAN #1 CIRCUIT BREAKER FEED
SN 12YEL(BLK)	OVERCURRENT PROTECTION (16GA FUSELINK TYPICAL)	RADIATOR FAN #2 CIRCUIT BREAKER FEED
SP 14 YEL	HEADLAMP SWITCH MARKER CIRCUIT FEED	OVERCURRENT PROTECTION (15A FUSE TYPICAL)
SR 12YEL(BRN)	IGNITION SWITCH RUN ONLY FEED	OVERCURRENT PROTECTION (15A FUSE TYPICAL)
SS 12YEL(WHT)	IGNITION SWITCH ACCESSORY FEED	OVERCURRENT PROTECTION (15A FUSE TYPICAL)
ST 14 YEL	OVERCURRENT PROTECTION (15A FUSE TYPICAL)	TURNS/BACK UP CIRCUIT FEED
SU	STARTER SOLENOID BATTERY TERMINAL	ALTERNATOR BATTERY TERMINAL
SW 14 YEL	TURN SIGNAL FLASHER	TURN SIGNAL SWITCH

CODE GA/COLOR	FROM	TO
SX 14 YEL	REAR WINDOW WASHER SWITCH	REAR WINDOW WASHER BOTTLE PUMP
SY 14 YEL	IGNITION COIL	TACHOMETER
TA 14 YEL	OVERCURRENT PROTECTION (15A FUSE TYPICAL)	IGNITION RUN ONLY GENERAL FEED (RADIATOR FAN RELAY COIL,ETC)
TB 12 YEL	OVERCURRENT PROTECTION (25A FUSE TYPICAL)	IGNITION RUN ONLY GENERAL FEED (AUTO AC BLOWER(NOT HIGH),ETC)
TC 14 YEL	OVERCURRENT PROTECTION (15A FUSE TYPICAL)	IGNITION RUN ONLY GENERAL FEED (DOOR LOCKS,REAR WIPER,ETC)
TD 14 YEL	OVERCURRENT PROTECTION (15A FUSE TYPICAL)	CHASSIS BATTERY GENERAL FEED
TE 16 WHT	GENERATOR	GENERATOR LOW OIL INDICATOR LAMP
TF 16 YEL	GENERATOR	GENERATOR LOW OIL INDICATOR LAMP
TG 16 YEL	TELEVISION	SPEAKER RIGHT (POSITIVE)
TH 16 WHT	TELEVISION	SPEAKER RIGHT (NEGATIVE)
TJ 16 YEL	TELEVISION	SPEAKER LEFT (POSITIVE)
TK 16 WHT	TELEVISION	SPEAKER LEFT (NEGATIVE)
TL 16 YEL	FRONT RIGHT TV SPEAKER NEGATIVE,SERIES CONNECTION	FRONT LEFT TV SPEAKER POSITIVE,SERIES CONNECTION
TM 16 WHT	STEP COVER SWITCH	STEP COVER SOLENOID MOVES STEP OUT
TN 14 YEL	STARTER SOLENOID BATTERY TERMINAL	ALTERNATOR REGULATOR
TP 14 WHT	REAR AUTOMOTIVE LAMPS(TURN, MARKER,ETC)	GROUND

CODE GA/COLOR	FROM	TO
TR 14 YEL	VEHICLE BACK UP CIRCUIT FEED	BACK UP LAMPS
TS 14 YEL	STARTER SOLENOID (I TERMINAL)	ENGINE WIRING (IGNITION MODULE)
TT 14 YEL	NEUTRAL SAFETY SWITCH	STARTER SOLENOID (S TERMINAL)
TU 14 WHT	IGNITION COIL RELAY (COIL)	GROUND
TW 14 YEL	IGNITION SWITCH START/RUN FEED	IGNITION COIL
TX 14 YEL	IGNITION COIL RELAY (COMMON)	IGNITION COIL
TY 14 YEL	ALTERNATOR (T TERMINAL)	CHOKE HEATER
UA 14 YEL	FUEL PUMP FUSE	OIL PRESSURE CUTOOUT SWITCH/ FUEL PUMP RELAY(NO),ETC
UB 14 YEL	INERTIA SWITCH (FUEL PUMP SHUTOFF)	FUEL PUMP RELAY (NORMALLY CLOSED)
UC 14 YEL	FUEL PUMP RELAY (COMMON)	FUEL PUMP
UD 16 WHT	FUEL GAUGE	FUEL SENDER
UE 14 YEL	INERTIA SWITCH (FUEL PUMP SHUTOFF)	OIL PRESSURE CUTOFF SWITCH
UF 14 WHT	FUEL PUMP	GROUND
UG 14 WHT	FUEL PUMP RELAY (COIL)	GROUND
UH 16 YEL	LP DETECTOR (SHUTOFF SYSTEM,YEL)	LP SAFETY VALVE
UJ 16 YEL	LP DETECTOR (SHUTOFF SYSTEM,YEL)	LP SAFETY SWITCH

CODE GA/COLOR	FROM	TO
UK 16 WHT	LP DETECTOR (BLK)(REF WB)	GROUND
UL 16 WHT	EUL LAMP	EUL MODULE
UM 16 WHT	DOOR JAMB DOME LAMP SWITCH	GROUND
UN 16 WHT	SEAT BELT LAMP	EUL MODULE
UP 16 YEL	SEAT BELT LAMP	SEAT BELT BUZZER
UR 16 WHT	PARK BRAKE SWITCH	PARK BRAKE LAMP
US 16 YEL	OVERCURRENT PROTECTION (6A BREAKER TYPICAL)	COACH BATTERY FEED TO BATTERY CONDITION SWITCH
UT 14 YEL	DOOR JAMB DOME LAMP SWITCH (SWITCH POSITIVE)	DOME LAMP
UU 16 YEL	WATER HEATER	VACUUM VALVE SOLENOID
UW 16 WHT	VACUUM VALVE SOLENOID	GROUND
UX 16 YEL	LP DETECTOR #2 (SHUTOFF SYSTEM,YEL)	LP SAFETY VALVE
UY 16 YEL	LP DETECTOR #2 (SHUTOFF SYSTEM,YEL)	LP SAFETY VALVE
WA 14 YEL	EXTERIOR SERVICE LAMP SWITCH	EXTERIOR SERVICE LAMP
WB 16 YEL	OVERCURRENT PROTECTION (6A BREAKER TYPICAL)	LP DETECTOR (REF UK)
WC 14 YEL	OVERCURRENT PROTECTION (15A BREAKER TYPICAL)	COMPARTMENT LAMPS (REF WE)
WD 14 WHT	AISLE LAMPS	GROUND

CODE GA/COLOR	FROM	TO
WE 14 WHT	COMPARTMENT LAMPS (REF WC)	GROUND
WF 12YEL(WHT)	OVERCURRENT PROTECTION (30A BREAKER TYPICAL)	PARK BRAKE COMPRESSOR SOENOID
WG 12YEL(BLK)	OVERCURRENT PROTECTION (30A BREAKER TYPICAL)	IGNITION RELAY
WH 14 YEL	OVERCURRENT PROTECTION (15A BREAKER TYPICAL)	IGNITION SWITCH RUN ONLY FEED
WJ 12 YEL	OVERCURRENT PROTECTION (20A BREAKER TYPICAL)	IGNITION SWITCH ACCESSORY FEED RELAY
WK 14 YEL	OVERCURRENT PROTECTION (15A BREAKER TYPICAL)	IGNITION SWITCH ACCESSORY FEED
WL 14 YEL	POWER DOOR LOCK RELAY (PIN 30)	POWER DOOR LOCK MOTOR(S) (LOCK)
WM 14 WHT	POWER DOOR UNLOCK RELAY (PIN 30)	POWER DOOR LOCK MOTOR(S) (UNLOCK)
WN 16 YEL	RADIO POWER SWITCH (ACCESSORY POWER)	DASH RADIO (ACCESSORY POWER)
WP 10 YEL	OVERCURRENT PROTECTION (25A BREAKER TYPICAL)	FRONT PANEL LOADS(INVERTER, RADIO)(96 M-SERIES)
WR 14 YEL	OVERCURRENT PROTENTION (15A BREAKER TYPICAL)	POWER SEAT LIFT SWITCH
WS 14 WHT	POWER SEAT LIFT SWITCH	GROUND
WT 14 YEL	POWER SEAT LIFT SWITCH (UP)	MOTOR (POSITIVE UP)
WU 14 WHT	POWER SEAT LIFT SWITCH (DOWN)	MOTOR (POSITIVE DOWN)
WW 14 WHT	SPOT LAMP SWITCH	GROUND
WX 14 YEL	HALLWAY CEILING LAMP SWITCH	HALLWAY CEILING LAMP

CODE GA/COLOR	FROM	TO
WY 10 WHT	AUTOMOTIVE AIR CONDITIONER MOTOR	GROUND
XA 12/10 YEL	VEHICLE AUTOMOTIVE AIR FEED CIRCUIT	AUTOMOTIVE AIR CONDITIONER BLOWER (USE 10 IF OVER 6')
XB 14 YEL	DRIVER'S DOOR POWER WINDOW SWITCH(PIN 5)	DRIVER'S DOOR POWER WINDOW MOTOR(POSITIVE UP)
XC 14 WHT	DRIVER'S DOOR POWER WINDOW SWITCH(PIN 1)	DRIVER'S DOOR POWER WINDOW MOTOR(POSITIVE DOWN)
XD 16 WHT	MONITOR PANEL	HOLDING TANK LEVEL SENSOR (FULL)
XE 16 WHT	MONITOR PANEL	HOLDING TANK LEVEL SENSOR (3/4)
XF 16 WHT	MONITOR PANEL	HOLDING TANK LEVEL SENSOR (1/2)
XG 16 WHT	MONITOR PANEL	HOLDING TANK LEVEL SENSOR (1/4)
XH 16 YEL	MONITOR PANEL	WATER TANK LEVEL SENSOR
XJ 16 YEL	MONITOR PANEL	BLACK HOLDING LEVEL SENSOR (MAIN TANK)
XK 16 YEL	MONITOR PANEL	GRAY AUXILIARY HOLDING TANK #1 LEVEL SENSOR (AUX TANK #1)
XL 16 YEL	MONITOR PANEL	GRAY AUXILIARY HOLDING TANK #2 LEVEL SENSOR (AUX TANK #2)
XM 14 YEL	OVERCURRENT PROTECTION (18GA FUSELINK TYPICAL)	IGNITION START RELAY
XN 16 YEL	FRONT ROOF AIR CONDITIONER (EXHAUST)	THERMOSTAT (EX TERMINAL)
XP 16 YEL	FRONT ROOF AIR CONDITIONER (COOL)	THERMOSTAT (Y TERMINAL)(Y EXPORT AIR)
XR 16 YEL	FRONT ROOF AIR CONDITIONER (HIGH SPEED BLOWER)	THERMOSTAT (GH TERMINAL)(H EXPORT AIR)

CODE GA/COLOR	FROM	TO
XS 16 YEL	FRONT ROOF AIR CONDITIONER (LOW SPEED BLOWER)	THERMOSTAT (GL TERMINAL)(G EXPORT AIR)
XT 14 YEL	IGNITION START RELAY #1 (NORMALLY CLOSED CONTACT)	IGNITION START RELAY #2 (COMMON CONTACT)
XU 14 YEL	DINETTE OVHD LAMP SWITCH	DINETTE OVHD LAMP
XW 14 WHT	IGNITION SWITCH ACCESSORY FEED RELAY CIRCUIT	GROUND
XX 14 YEL	GALLEY LAMP SWITCH	GALLEY LAMP
XY 14 YEL	MAKE UP LAMP #2 SWITCH	MAKE UP LAMP #2
YA 14 YEL	TAG AXLE PRESSURE CONTROL SWITCH	COMPRESSOR SOLENOID/ SOLENOID AIR VALVE
YB 14 WHT	LOW AIR PRESSURE SWITCH	GROUND
YC 10YEL(BLU)	OVERCURRENT PROTECTION (30A BREAKER TYPICAL)	TAG AXLE COMPRESSOR SOLENOID
YD 14 WHT	TAG AXLE MOUNTING PLATE SCREW	GROUND
YE 10 WHT	TAG AXLE COMPRESSOR	GROUND
YF 12 WHT	TAG AXLE BRAKE CONTROL MODULE/BRAKE MAGNET	GROUND
YG 12YEL(BLK)	OVERCURRENT PROTECTION (20A BREAKER TYPICAL)	TAG AXLE BRAKE CONTROL MODULE
YH 12YEL(BLU)	TAG AXLE BRAKE CONTROL MODULE	TAG AXLE BRAKE MAGNET
YJ 10YEL(WHT)	TAG AXLE COMPRESSOR SOLENOID	TAG AXLE COMPRESSOR
YK 14 YEL	BEDROOM CEILING LAMP SWITCH#1 (2 SWITCH SYSTEM)	BEDROOM CEILING LAMP SWITCH #2 (2 SWITCH SYSTEM)

CODE GA/COLOR	FROM	TO
YL 14 YEL	BEDROOM CEILING LAMP SWITCH #1 (2 SWITCH SYSTEM)	BEDROOM CEILING LAMP SWITCH #2 (2 SWITCH SYSTEM)
YM 14 YEL	HALLWAY CEILING LAMP SWITCH #1 (2 SWITCH SYSTEM)	HALLWAY CEILING LAMP SWITCH #2 (2 SWITCH SYSTEM)
YN 14 YEL	HALLWAY CEILING LAMP SWITCH #1 (2 SWITCH SYSTEM)	HALLWAY CEILING LAMP SWITCH #2 (2 SWITCH SYSTEM)
YP 14 YEL	VALANCE LAMP SWITCH #1 (2 SWITCH SYSTEM)	VALANCE LAMP SWITCH #2 (2 SWITCH SYSTEM)
YR 14 YEL	VALANCE LAMP SWITCH #1 (2 SWITCH SYSTEM)	VALANCE LAMP SWITCH #2 (2 SWITCH SYSTEM)
YS 14 YEL	VALANCE LAMP SWITCH	VALANCE LAMP
YT 14 YEL	FRONT VALANCE LAMP SWITCH	FRONT VALANCE LAMP
YU 14 YEL	REAR VALANCE LAMP SWITCH	REAR VALANCE LAMP
YW 14 WHT	DOOR BELL SWITCH	DOOR BELL
YX 14 YEL	IGNITION SWITCH RUN/START FEED	ALTERNATOR WARNING LAMP
YY 14 YEL	ALTERNATOR VOLTAGE REGULATOR	ALTERNATOR WARNING LAMP
AAA 16 WHT	STEP COVER SWITCH (REF GX)	STEP COVER SOLENOID MOVES STEP IN
AAB 14 YEL	DINETTE READING LAMPS	DINETTE READING LAMP SWITCH
AAC 14 YEL	LOUNGE READING LAMPS	LOUNGE READING LAMP SWITCH
AAD 14 YEL	FORD CHASSIS TRAILER MARKER LAMP CIRCUIT (BR/WHT)	TRAILER CONNECTOR SOCKET MARKER LAMPS
AAE 14 YEL	FORD CHASSIS TRAILER BACKUP LAMP CIRCUIT (BLK/LT GRN)	TRAILER CONNECTOR SOCKET BACKUP LAMPS

CODE GA/COLOR	FROM	TO
AAF 14 YEL	FORD CHASSIS TRAILER LEFT TURN/BRAKE LAMP CIRCUIT (YEL)	TRAILER CONNECTOR SOCKET LEFT TURN/BRAKE LAMP
AAG 14 YEL	FORD CHASSIS TRAILER RIGHT TURN/BRAKE LAMP CIRCUIT (DKG)	TRAILER CONNECTOR SOCKET RIGHT TURN/BRAKE LAMP
AAH 14 YEL	BATH-VENT,POWER	BATH-VENT, THERMOSTAT
AAJ 14 YEL	BATH-VENT,POWER	BATH-VENT, THERMOSTAT
AAK 16 WHT	SWITCH-WATER PUMP (MULTIPLEX SYSTEM)	LATCHING RELAY (WITH 4 OR MORE SWITCHES)
AAL 16 WHT	SWITCH-WATER PUMP (MULTIPLEX SYSTEM)	GROUND
AAM 14 YEL	CHASSIS SUPPLIED WIRE ASM (DARK BLUE)(GM)	RIGHT TAIL LAMP PARK (WIE)
AAN 14 YEL	CHASSIS SUPPLIED WIRE ASM (PURPLE) (GM)	LEFT TAIL LAMP PARK (WIE)
AAP 10 YEL	55 AMP BREAKER JUMPER WIRE	30 AMP BREAKER
AAR 14 YEL	TV/RADIO SPEAKER FEED SELECTOR SWITCH	TV SPEAKER AMPLIFIER
AAS 16 YEL	TV SPEAKER (NEGATIVE) BEDROOM SPEAKERS IN SERIES	TV SPEAKER (POSITIVE)
AAT 16 YEL	AMPLIFIER POSITIVE OUT (AAU NEGATIVE)	FRONT WOOFER (WITH DELUXE SOUND SYSTEM)
AAU 16 WHT	AMPLIFIER NEGATIVE OUT (AAT POSITIVE)	FRONT WOOFER (WITH DELUXE SOUND SYSTEM)
AAW 16 YEL	AMPLIFIER POSITIVE OUT (AAX NEGATIVE)	REAR WOOFER (WITH DELUXE SOUND SYSTEM)
AAX 16 WHT	AMPLIFIER NEGATIVE OUT (AAW POSITIVE)	REAR WOOFER (WITH DELUXE SOUND SYSTEM)
AAZ 10 YEL	SLIDEOUT ROOM CONTROL SWITCH	SLIDEOUT DRIVE MOTOR LEAD #1

CODE GA/COLOR	FROM	TO
AAZ 10 YEL	SLIDEOUT ROOM CONTROL SWITCH	SLIDEOUT DRIVE MOTOR LEAD #2
BBA 16 WHT	SLIDEOUT WIRING (PARK BRAKE SW)(SWITCHED GRD)	SLIDEOUT ROOM RELAY (GROUND TERMINAL)
BBB 16 YEL	SLIDEOUT ROOM CIRCUIT BREAKER (6 AMP)	SLIDEOUT ROOM RELAY (PIN 86 & 87)
BBC 16 YEL	LOAD SHEDDER MONITOR PANEL (RED WIRE)	LOAD SHEDDER CONTROL BOARD (RED WIRE)
BBD 16 YEL	LOAD SHEDDER MONITOR PANEL (BLUE WIRE)	LOAD SHEDDER CONTROL BOARD (BLUE WIRE)
BBE 16 YEL	LOAD SHEDDER MONITOR PANEL (BLACK WIRE)	LOAD SHEDDER CONTROL BOARD (BLACK WIRE)
BBF 16 YEL	LOAD SHEDDER MONITOR PANEL (GRAY WIRE)	LOAD SHEDDER CONTROL BOARD (GRAY WIRE)
BBG 14 YEL	DINETTE CEILING LAMP SWITCH	DINETTE CEILING LAMP
BBH 16 YEL	REAR COMPRESSOR SIGNAL REAR THERMOSTAT	LOAD SHEDDER CONTROL BOARD
BBJ 16 YEL	LOAD SHEDDER CONTROL BOARD	REAR A/C (COOL)
BBK 12 WHT	JET AIR/TAG AXLE WIRING	GROUND, CHASSIS
BBL 14 YEL	OVHD SWITCH	OVHD HALOGEN LAMPS
BBM 16 YEL	SLIDEOUT ROOM SWITCH (ROOM TWO EXTEND)	HWH WIRING (ROOM TWO EXTEND)
BBN 16 YEL	SLIDEOUT ROOM SWITCH (ROOM TWO RETRACT)	HWH WIRING (ROOM TWO RETRACT)
BBP 14 YEL	ICC COURTESY BLINK SWITCH	ICC COURTESY BLINK RELAY
BBR 14 YEL	ICC COURTESY BLINK RELAY	CLEARANCE LAMPS

CODE GA/COLOR	FROM	TO
BBS 14 YEL	CHASSIS FUSE PANEL	ICC COURTESY BLINK RELAY
BBT 14 YEL	DOCKING LAMP SWITCH TRIGGER RELAY	DOCKING LAMP SWITCH
BBU 12 YEL	DOCKING LAMP CIRCUIT BREAKER	DOCKING LAMP RELAY
BBW 14 YEL	FORD LEFT HAND LOW BEAM CIRCUIT	LEFT HAND LOW BEAM
BBX 14 YEL	FORD RIGHT HAND LOW BEAM CIRCUIT	RIGHT HAND LOW BEAM
BBY 14 YEL	SWITCH-MONITOR PANEL (IN EXT WATER CENTER)	EXTERIOR MONITOR PANEL (IN EXT WATER CENTER)
BBZ 14 YEL	OVERCURRENT PROTECTION (15A FUSE/BREAKER TYPICAL)	AUXILIARY FURNACE (CCA)
CCA 14 WHT	AUXILIARY FURNACE	GROUND
CCB 16 YEL	EXTERIOR MONITOR PANEL	WATER TANK LEVEL SENSOR
CCC 16 YEL	EXTERIOR MONITOR PANEL	MAIN HOLDING TANK LEVEL SENSOR
CCD 16 YEL	EXTERIOR MONITOR PANEL	AUX HOLDING TANK LEVEL SENSOR
CCE 14 YEL	COMPARTMENT LAMP SWITCH	COMPARTMENT LAMP
CCF 14 YEL	COMPARTMENT LAMP SWITCH	COMPARTMENT LAMP
CCG 14 YEL	COMPARTMENT LAMP SWITCH	COMPARTMENT LAMP
CCH 14 YEL	COMPARTMENT LAMP SWITCH	COMPARTMENT LAMP
CCJ 14 YEL	COMPARTMENT LAMP SWITCH	COMPARTMENT LAMP

CODE GA/COLOR	FROM	TO
CCK 14 YEL	COMPARTMENT LAMP SWITCH	COMPARTMENT LAMP
CCL 14 YEL	COMPARTMENT LAMP SWITCH	COMPARTMENT LAMP
CCM 14 YEL	COMPARTMENT LAMP SWITCH	COMPARTMENT LAMP
CCN 16 YEL	THERMOSTATE LOW SPEED FAN SIGNAL	CENTRAL AIR AND LOAD SHEDDER
CCP 16 YEL	LOAD SHEDDER COMPRESSOR TWO CONTROL RELAY	CENTRAL A/C COMPRESSOR TWO
CCR 14 YEL	SWITCH-MONITOR PANEL (IN EXT WATER CENTER)	EXTERIOR MONITOR PANEL (IN EXT WATER CENTER)
CCS 16 YEL	NOISE FILTER	RADIO POWER INPUT
CCT 16 YEL	REAR RIGHT TV SPEAKER NEGATIVE,SERIES CONNECTION	REAR LEFT TV SPEAKER POSITIVE,SERIES CONNECTION
CCU 16 YEL	GM DOME LAMP POWER	DOME LAMP
CCW 12 YEL	DUAL MODE SOLENOID (CHASSIS SIDE)	FUSE HOLDER (30 AMP)
CCX 16 YEL	ORG WIRE ON AIR COMPRESSOR	AIR PRESSURE SWITCH ON AIR TANK
CCY 16 YEL	HWH WIRING (BATTERY POWER)	SLIDEOUT ROOM SWITCH (POSITIVE)
CCZ 16 YEL	HWH WIRING (SWITCHED BATTERY POWER)	FRT/RR SLIDEOUT ROOM SWITCH (SWITCHED EXTEND/RETRACT PWR)
DDA 16 YEL	HWH WIRING (PUMP RELAY CONTROL)	SLIDEOUT ROOM SWITCH (POSITIVE)
ddb 14 YEL	REAR AUTO HEATER CIRCUIT BREAKER	REAR AUTO HEATER RELAY (POWER)
DDC 14 YEL	REAR AUTO HEATER RELAY (SWITCHED POWER)	REAR AUTO HEATER SWITCH (COMMON TERMINAL)

CODE GA/COLOR	FROM	TO
DDD 14 YEL	MODULE-CHARGE CONTROL RELAY OUTPUT	AUX-START SOLENOID RELAY
DDE 14 YEL	AUX-START SOLENOID RELAY	AUX-START SOLENOID
DDF 10 YEL	HEATER BLOWER CIRCUIT BREAKER	HEATER BLOWER RELAY
DDG 10 YEL	CIRCUIT BREAKER BUSS BAR	CHASSIS BATTERY FEED CIRCUIT BREAKER
DDH 14 YEL	FREIGHTLINER RUN ONLY TRIGGER CIRCUIT	HEATER BLOWER RELAY
DDJ 14 YEL	FREIGHTLINER PARKING BRAKE TRIGGER CIRCUIT	HWH WIRE ASM-PARKING BRAKE SENSOR WIRE
DDK 16 YEL	HWH WIRING (PUMP RELAY CONTROL)	REAR SLIDEOUT ROOM SWITCH (POSITIVE)
DDL 14 WHT	FRONT LEFT AUTOMOTIVE LAMPS	GROUND
DDM 14 WHT	FRONT RIGHT AUTOMOTIVE LAMPS	GROUND
DDN 16 YEL	TIMER MODULE	CHECK ANTENNA LIGHT
DDP 12 YEL	OVERCURRENT PROTECTION (20A BREAKER TYPICAL)	INVERTER FEED (INVERTER NUMBER 2)
DDR 12 WHT	INVERTER (INVERTER NUMBER 2)	GROUND
DDS 12 WHT	INVERTER CHASSIS (INVERTER NUMBER 2)	GROUND
DDT 12 YEL	POWER COMPT DOOR LOCK RELAY (RIGHT SIDE)	POWER COMPT DOOR LOCK MOTOR(S) (RIGHT SIDE)
DDU 12 WHT	POWER COMPT DOOR UNLOCK RELAY (RIGHT SIDE)	POWER COMPT LOCK MOTOR(S) (UNLOCK) (RIGHT SIDE)
DDV 12 YEL	POWER COMPT DOOR LOCK RELAY (LEFT SIDE)	POWER COMPT LOCK MOTOR(S) (LOCK) (LEFT SIDE)

CODE GA/COLOR	FROM	TO
DDW 12 WHT	POWER COMPT DOOR UNLOCK RELAY (LEFT SIDE)	POWER COMPT LOCK MOTOR(S) (UNLOCK) (LEFT SIDE)
DDX 12 YEL	OVERCURRENT PROTECTION (20A BREAKER TYPICAL)	POWER COMPT DOOR LOCK/ UNLOCK RELAY (RIGHT SIDE)
DDY 12 YEL	OVERCURRENT PROTECTION (20A BREAKER TYPICAL)	POWER COMPT DOOR LOCK/ UNLOCK RELAY (LEFT SIDE)
DDZ 12 YEL	POWER COMPT DOOR LOCK SWITCH (LOCK) (PIN 1)	POWER COMPT DOOR LOCK RELAY (PIN 86)
EEA 12 WHT	POWER COMPT DOOR LOCK SWITCH (UNLOCK) (PIN 5)	POWER COMPT DOOR UNLOCK RELAY (PIN 86)
EEB 12 WHT	POWER COMPT DOOR LOCK RELAYS (LEFT SIDE)	GROUND
EEC 12 YEL	25 AMP BREAKER IN 12 VOLT PANEL	SOFA RECLINER SWITCH SOFA 4-WAY RECLINER
EED 12 WHT	SOFA RECLINER SWITCH SOFA 4-WAY RECLINER	GROUND
EEE 14 YEL	OVERCURRENT PROTECTION (15A BREAKER TYPICAL)	12V POWER JACK
EEF 14 WHT	12V POWER JACK	GROUND
EEG 12 WHT	POWER COMPT DOOR LOCK RELAYS (RIGHT SIDE)	GROUND
EEH 12 YEL	SOFA RECLINER SWITCH EXTEND	SOFA RECLINER MOTOR SOFA 4-WAY
EEJ 12 YEL	SOFA RECLINER SWITCH RETRACT	SOFA RECLINER MOTOR SOFA 4-WAY
E EK 16 YEL	AUDIO AMPLIFIER	LH FRT SPKR (+)
EEL 16 WHT	AUDIO AMPLIFIER	LH FRT SPKR (-)
EEM 16 YEL	AUDIO AMPLIFIER	RH FRT SPKR (+)

CODE GA/COLOR	FROM	TO
EEN 16 WHT	AUDIO AMPLIFIER	RH FRT SPKR (-)
E EP 16 YEL	AUDIO AMPLIFIER	LH RR SPKR (+)
EER 16 WHT	AUDIO AMPLIFIER	LH RR SPKR (-)
EES 16 YEL	AUDIO AMPLIFIER	RH RR SPKR (+)
EET 16 WHT	AUDIO AMPLIFIER	RH RR SPKR (-)
E EU 16 YEL	AUDIO AMPLIFIER	CTR CHANNEL SPKR (+)
E EW 16 WHT	AUDIO AMPLIFIER	CTR CHANNEL SPKR (-)
E EX 12/10 YEL	PASSENGER AUTO A/C FEED CIRCUIT	PASSENGER AUTO A/C BLOWER (USE 10 IF OVER 6')
E EY 10 WHT	PASSENGER AUTO A/C MOTOR	GROUND
E EZ 12/10 YEL	OVERCURRENT PROTECTION (30A BREAKER TYPICAL)	PASSENGER HI-SPEED HEATER FAN (USER 10 IF OVER 6')
E FA 10 YEL	PASSENGER HEATER BLOWER CIRCUIT BREAKER	PASSENGER HEATER BLOWER RELAY
E FB 10 YEL	OVERCURRENT PORTECTION (30A BREAKER TYPICAL)	POWER LOUNGE CHAIR
E FC 10 WHT	POWER LOUNGE CHAIR	GROUND
E FD 12 YEL	OVERCURRENT PROTECTION (30A BREAKER TYPICAL)	AWNING CONTROL BOX (12V POSITIVE)
E FE 12 WHT	AWNING CONTROL BOX	GROUND
E FF 12 YEL	AWNING CONTROL BOX	DOOR AWNING (MOTOR POSITIVE)

CODE GA/COLOR	FROM	TO
FFG 12 WHT	DOOR AWNING (MOTOR GROUND)	AWNING CONTROL BOX
FFH 12 YEL	AWNING CONTROL BOX	PATIO AWNING (MOTOR POSITIVE)
FFJ 12 WHT	PATIO AWNING (MOTOR GROUND)	AWNING CONTROL BOX
FFK 16 YEL	AWNING CONTROL BOX	DOOR AWNING SWITCH (EXTEND)
FFL 16 YEL	DOOR AWNING SWITCH (COMMON)	AWNING CONTROL BOX
FFM 16 YEL	AWNING CONTROL BOX	DOOR AWNING SWITCH (RETRACT)
FFN 16 YEL	AWNING CONTROL BOX	PATIO AWNING SWITCH (EXTEND)
FFP 16 YEL	PATIO AWNING SWITCH (COMMON)	AWNING CONTROL BOX
FFR 16 YEL	AWNING CONTROL BOX	PATIO AWNING SWITCH (RETRACT)
FFS 14 WHT	RELAY (PIN 30)	AWNING CONTROL BOX
FFT 14 WHT	PATIO AWNING SWITCH	AWNING CONTROL BOX
FFU 16 YEL	AWNING SELECTOR SWITCH (DOOR AWNING)	AWNING CONTROL SWITCH (DOOR AWNING)
FFV 16 YEL	AWNING SELECTOR SWITCH (PATIO AWNING)	AWNING CONTROL SWITCH (PATIO AWNING)
FFW 14 YEL	LOUNGE LAMPS SWITCH #1	LOUNGE LAMPS SWITCH #2
FFX 14 YEL	LOUNGE LAMPS SWITCH #1	LOUNGE LAMPS SWITCH #2
FFY 14 YEL	CEILING FAN SWITCH	CEILING FAN

CODE GA/COLOR	FROM	TO
FFZ 14 YEL	OVERCURRENT PROTECTION (15A FUSE/BREAKER TYPICAL)	COACH LIGHTING, ETC CIRCUIT #7 (REF GGA)
GGA 14 WHT	COACH LIGHTING (REF-FFZ)	GROUND
GGB 14 YEL	POWER LIFT VENT	POWER LIFT SWITCH (UP)
GGC 14 YEL	POWER LIFT VENT	POWER LIFT SWITCH (DOWN)
GGD 16 YEL	CONTROL MODULE	OPERATOR PANEL (STOP)
GGE 16 YEL	CONTROL MODULE	OPERATOR PANEL (GRN LED)
GGF 16 YEL	CONTROL MODULE	OPERATOR PANEL (RED LED)
GGG 16 YEL	CONTROL MODULE	FRONT ENCODER (SIGNAL)
GGH 16 YEL	CONTROL MODULE	FRONT ENCODER (+)
GGJ 16 WHT	CONTROL MODULE	FRONT ENCODER (-)
G GK 16 YEL	CONTROL MODULE	REAR ENCODER (SIGNAL)
GGL 16 YEL	CONTROL MODULE	REAR ENCODER (+)
GGM 16 WHT	CONTROL MODULE	REAR ENCODER (-)
GGN 12 YEL	CONTROL MODULE	SLIDEOUT ACTUATOR DRIVE LEAD #1
G GP 12 YEL	CONTROL MODULE	SLIDEOUT ACTUATOR DRIVE LEAD #2
GGR 16 YEL	FRONT ROOF HEAT PUMP	THERMOSTAT (W TERMINAL)

CODE GA/COLOR	FROM	TO
GGG 16 YEL	REAR ROOF HEAT PUMP	THERMOSTAT (W TERMINAL)
GGT 12 YEL	SOFA RECLINER SWITCH EXTEND	SOFA RECLINER MOTOR SOFA 4-WAY
GGU 12 YEL	SOFA RECLINER SWITCH RETRACT	SOFA RECLINER MOTOR SOFA 4-WAY
GGV 14 WHT	GPS (BLACK WIRE)	GROUND
GGW 16 YEL	GPS (GREEN/WHITE WIRE)	VEHICLE SPEED SENSOR (CHASSIS SUPPLIED)
GGX 14 YEL	10 OHM RESISTOR *	BEDROOM CEILING FAN (LOW SPEED)
GGY 14 YEL	BATHROOM VENT SWITCH	BATHROOM VENT
GGZ 14 YEL	BEDROOM VENT SWITCH	BEDROOM VENT
HHA 14 YEL	OVERCURRENT PROTECTION (15A FUSE/BREAKER TYPICAL)	COACH VENTS/LAMPS (REF HHB)
HHB 14 WHT	COACH VENTS/LAMPS (REF HHA)	GROUND
HHC 12 YEL	STEP COVER SWITCH	STEP COVER MOTOR
HHD 12 YEL	STEP COVER SWITCH	STEP COVER MOTOR
HHE 16 YEL	SLIDEOUT ROOM SWITCH (ROOM THREE EXTEND)	HWH WIRING (ROOM THREE EXTEND)
HHF 16 YEL	SLIDEOUT ROOM SWITCH (ROOM THREE RETRACT)	HWH WIRING (ROOM THREE RETRACT)
HHG 16 YEL	SLIDEOUT ROOM SWITCH (ROOM FOUR EXTEND)	HWH WIRING (ROOM FOUR EXTEND)
HHH 16 YEL	SLIDEOUT ROOM SWITCH (ROOM FOUR RETRACT)	SLIDEOUT ROOM SWITCH (ROOM FOUR RETRACT)

CODE GA/COLOR	FROM	TO
HHJ 14 YEL	110V WATER HEATER TRIGGER SWITCH	WATER HEATER RELAY
HHK 16 YEL	DRIVER'S POWER SUNVISOR SWITCH	DRIVER'S POWER SUNVISOR
HHL 16 YEL	DRIVER'S POWER SUNVISOR SWITCH	DRIVER'S POWER SUNVISOR
HHM 16 YEL	PASS POWER SUNVISOR SWITCH	PASS POWER SUNVISOR
HHN 16 YEL	PASS POWER SUNVISOR SWITCH	PASS POWER SUNVISOR
HHP 14 YEL	HOT WATER HEAT CONTROL BOARD (F1)	ZONE 1 FAN SPEED SWITCH
HHR 14 YEL	ZONE 1 FAN SPEED SWITCH	ZONE 1 AIR FAN HEATER
HHS 16 YEL	HOT WATER HEAT CONTROL BOARD (TC)	ZONE 2 & 3 THERMOSTAT
HHT 16 YEL	HOT WATER HEAT CONTROL BOARD (T2)	ZONE 2 THERMOSTAT
HHU 14 YEL	HOT WATER HEAT CONTROL BOARD (F2)	ZONE 2 FAN SPEED SWITCH
HHV 14 YEL	ZONE 2 FAN SPEED SWITCH	ZONE 2 AIR FAN HEATER
HHW 16 YEL	HOT WATER HEAT CONTROL BOARD (T3)	ZONE 3 THERMOSTAT
HHX 14 YEL	HOT WATER HEAT CONTROL BOARD (F3)	ZONE 3 AIR FAN HEATER
HHY 16 WHT	AWNING CONTROL BOX	WIND SENSOR (NEGATIVE)
HHZ 16 YEL	AWNING CONTROL BOX	WIND SENSOR (POSITIVE)
JJA 16 YEL	AWNING CONTROL BOX	WIND SENSOR TEMPERATURE OUTPUT

CODE GA/COLOR	FROM	TO
JJB 16 YEL	AWNING CONTROL BOX	WIND SENSOR SPEED OUTPUT