



**DANGER**

**Danger of electrical shock, burns or death.** Always remove all power sources before attempting any repair, service or diagnostic work. Power can be present from shore power, generator, inverter or battery. All power sources must be disabled and secured before performing any service.



**CAUTION**

If you lack the skills, tools or equipment to perform diagnostic or repair work leave such work to an authorized Winnebago Industries dealer or other qualified shop.

CONNECTS TO WIRE ASM-WATER TANK (LOCATED BELOW RIGHT DINETTE SEAT)

CONNECTS TO WIRE ASM-BLACK HOLDING (LOCATED BELOW WARDROBE CABT)

CONNECTS TO WIRE ASM- GREY HOLDING (LOCATED BELOW GALLEY CABT)

CONNECTS TO MONITOR PANEL (LOCATED IN LH TRANSITION PANEL)

CONNECTS TO WIRE ASM- LEFT, FRONT

CONNECTS TO REAR AUTO HEATER

REAR WINDOW DEFOGGER

CONNECTS TO WIRE ASM- LEFT, FRONT

CONNECTS TO WIRE ASM- LEFT, FRONT

12V FUSE PANEL

CONNECTS TO WIRE ASM- LEFT, FRONT

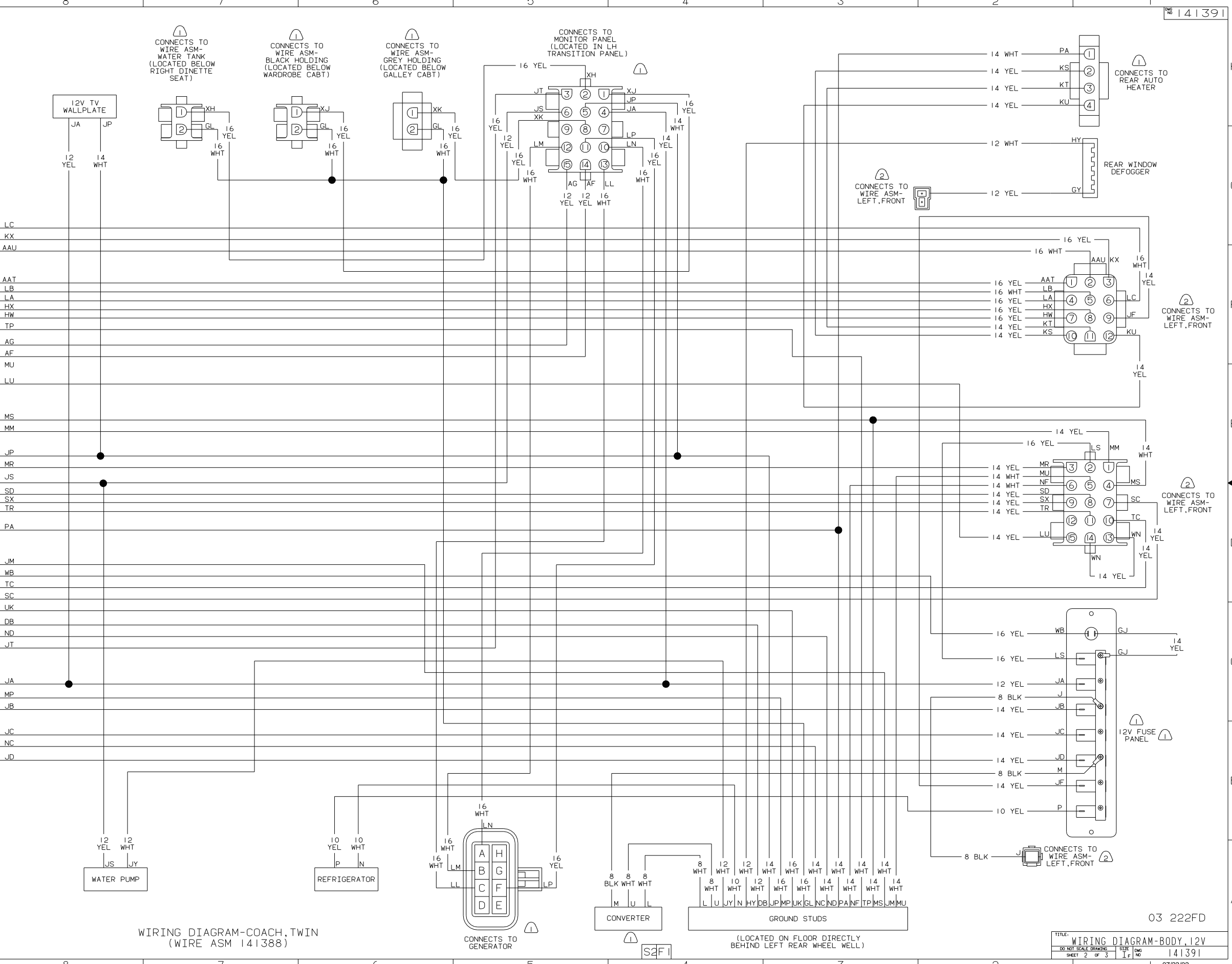
CONNECTS TO GENERATOR

(LOCATED ON FLOOR DIRECTLY BEHIND LEFT REAR WHEEL WELL)

COPYRIGHT 2002 WINNEBAGO INDUSTRIES, INC. <b>WINNEBAGO</b> 03 222FD		MATERIAL:
DFTR	DATE	UNSPECIFIED TOLERANCES ARE:
CHW	DATE	ANGLE
P E	DATE	ONE-PLACE (X.X)
M E	DATE	TWO-PLACE (X.XX)
DWR	DATE	THIRD ANGLE PROJECTION
LAYOUT NO	TITLE	
DIA #	SCALE	WIRING DIAGRAM-BODY, 12V
ALL DIMENSIONS ARE IN MILLIMETERS	DO NOT SCALE DRAWING	SHEET NO 141391
		SHEET 1 OF 3

WIRING DIAGRAM-COACH, DOUBLE (WIRE ASM 141387)





CONNECTS TO WIRE ASM- WATER TANK (LOCATED BELOW RIGHT DINETTE SEAT)

CONNECTS TO WIRE ASM- BLACK HOLDING (LOCATED BELOW WARDROBE CABT)

CONNECTS TO WIRE ASM- GREY HOLDING (LOCATED BELOW GALLEY CABT)

CONNECTS TO MONITOR PANEL (LOCATED IN LH TRANSITION PANEL)

CONNECTS TO REAR AUTO HEATER

CONNECTS TO WIRE ASM- LEFT, FRONT

CONNECTS TO WIRE ASM- LEFT, FRONT

CONNECTS TO WIRE ASM- LEFT, FRONT

12V FUSE PANEL

CONNECTS TO WIRE ASM- LEFT, FRONT

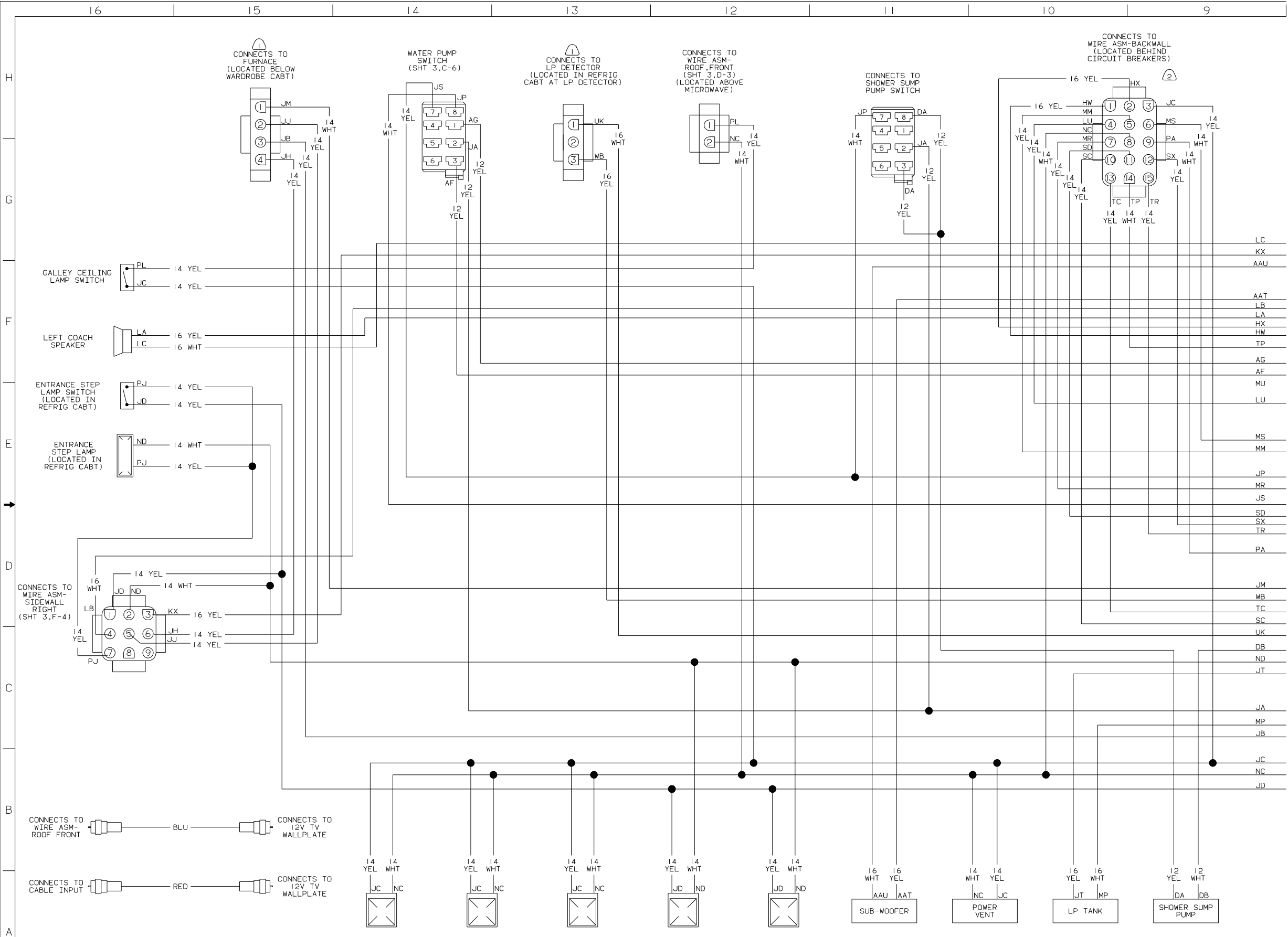
WIRING DIAGRAM-COACH, TWIN (WIRE ASM 141388)

CONNECTS TO GENERATOR

(LOCATED ON FLOOR DIRECTLY BEHIND LEFT REAR WHEEL WELL)

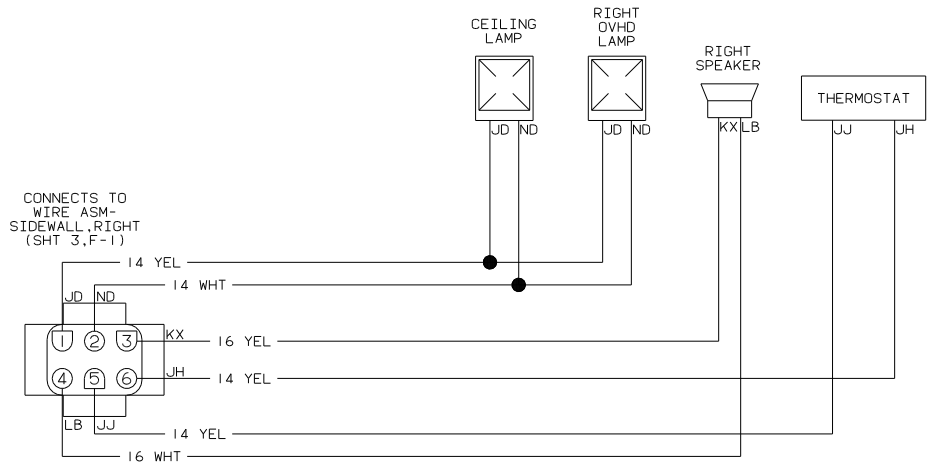
03 222FD

TITLE: WIRING DIAGRAM-BODY, 12V	
DO NOT SCALE DRAWING	SIZE: 11x17
SHEET 2 OF 3	IF No 141391
07/23/02	

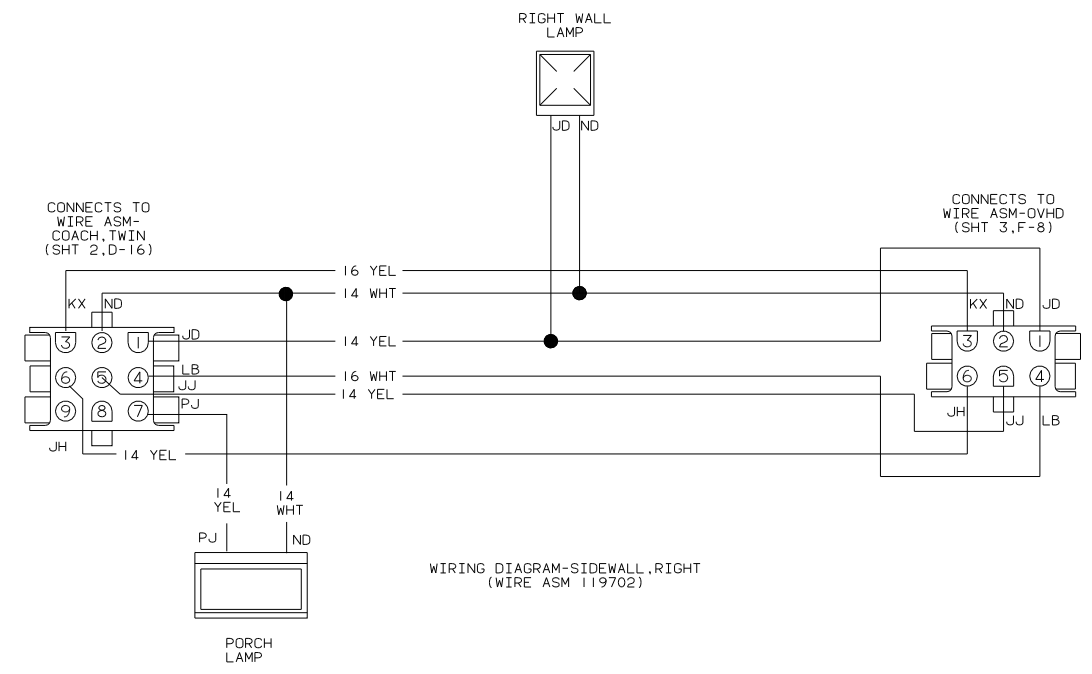


② SEE WIRING DIAGRAM-AUTO LAMPS FOR ADDITIONAL INFORMATION.  
 ① SEE MANUFACTURER'S DIAGRAM FOR ADDITIONAL INFORMATION.

NOTES:



WIRING DIAGRAM-OVHD (WIRE ASM 119701)



WIRING DIAGRAM-SIDEWALL, RIGHT (WIRE ASM 119702)



WIRING DIAGRAM-ROOF, FRONT (WIRE ASM 133878)