



DANGER

Danger of electrical shock, burns or death. Always remove all power sources before attempting any repair, service or diagnostic work. Power can be present from shore power, generator, inverter or battery. All power sources must be disabled and secured before performing any service.

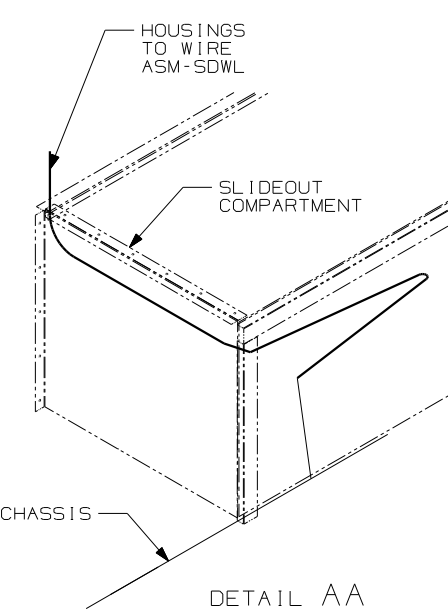
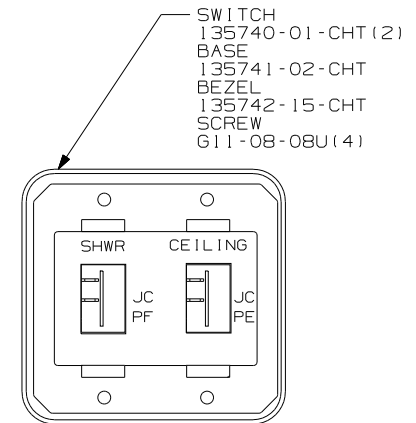
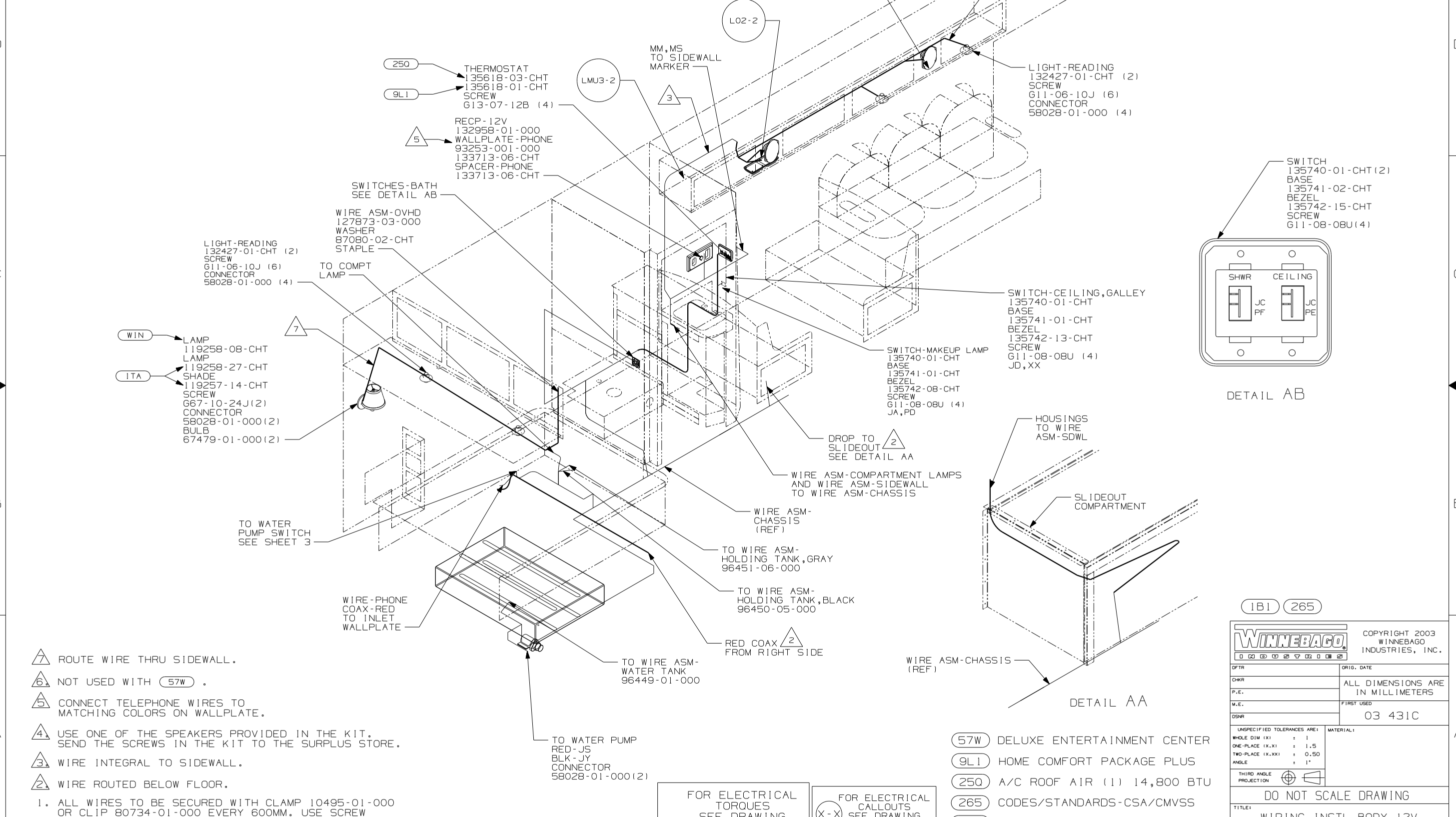


CAUTION

If you lack the skills, tools or equipment to perform diagnostic or repair work leave such work to an authorized Winnebago Industries dealer or other qualified shop.

DWG NO	----
141111-01	WINNEBAGO
141111-02	ITASCA

RELEASE	REV/DATE	DWG NO
	A	141111
REV ZONE	REVISION RECORD	DATE
		DTR-016



- △ ROUTE WIRE THRU SIDEWALL.
- ⑥ NOT USED WITH (57W).
- ⑤ CONNECT TELEPHONE WIRES TO MATCHING COLORS ON WALLPLATE.
- ④ USE ONE OF THE SPEAKERS PROVIDED IN THE KIT. SEND THE SCREWS IN THE KIT TO THE SURPLUS STORE.
- ③ WIRE INTEGRAL TO SIDEWALL.
- ② WIRE ROUTED BELOW FLOOR.

1. ALL WIRES TO BE SECURED WITH CLAMP 10495-01-000 OR CLIP 80734-01-000 EVERY 600MM. USE SCREW 667-10-12B UNLESS OTHERWISE SPECIFIED.

FOR ELECTRICAL TORQUES SEE DRAWING 128783-01-000

FOR ELECTRICAL CALLOUTS SEE DRAWING 121339-01-000

- (57W) DELUXE ENTERTAINMENT CENTER
- (9L1) HOME COMFORT PACKAGE PLUS
- (250) A/C ROOF AIR (1) 14,800 BTU
- (265) CODES/STANDARDS-CSA/CMVSS
- (1B1) CODES/STANDARDS USA

1B1 265

WINNEBAGO COPYRIGHT 2003 WINNEBAGO INDUSTRIES, INC.

DTR	ORIG. DATE
CHKR	ALL DIMENSIONS ARE IN MILLIMETERS
P.E.	FIRST USED
M.E.	03 431C
DSNR	

UNSPECIFIED TOLERANCES ARE: MATERIAL:

WHOLE DIM (X)	: 1
ONE-PLACE (X.X)	: 1.5
TWO-PLACE (X.XX)	: 0.50
ANGLE	: 1°

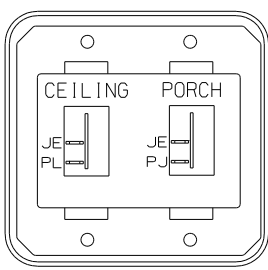
THIRD ANGLE PROJECTION

DO NOT SCALE DRAWING

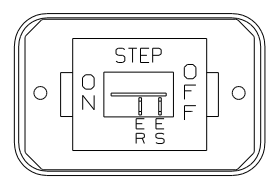
TITLE: WIRING INSTL-BODY, 12V

SHEET 1 OF 5 PART NO 141111

REF:39210 D 1 02/28/03

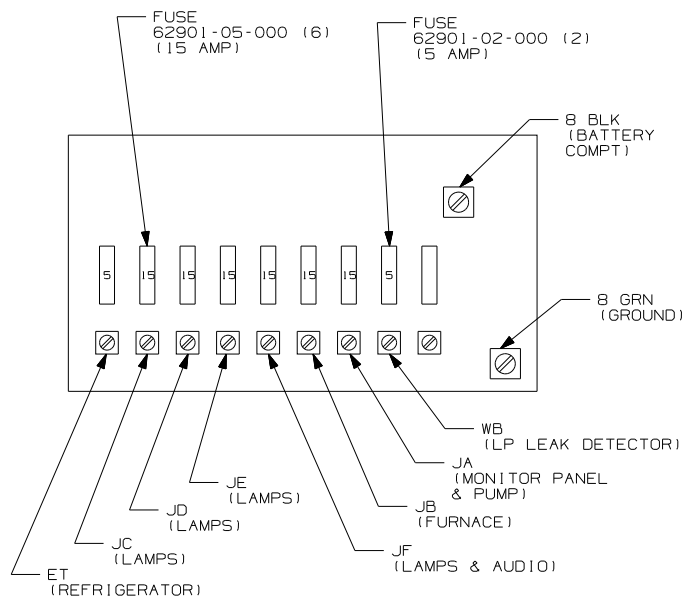


SWITCH-ROCKER
135740-01-CHT (2)
SWITCH-BASE
135741-02-CHT
SWITCH-BEZEL
135742-19-CHT
SCREW
G11-08-08U (4)

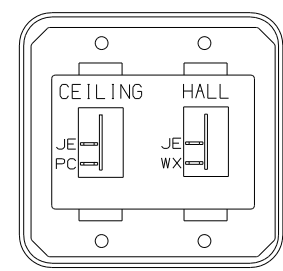


SWITCH-ROCKER
135740-01-CHT
SWITCH-BASE
135741-01-CHT
SWITCH-BEZEL
135742-11-CHT
SCREW
G11-08-08U (2)

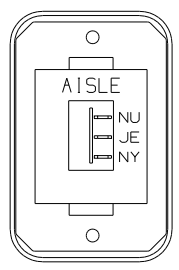
DETAIL BA



DETAIL BF

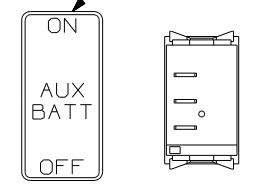
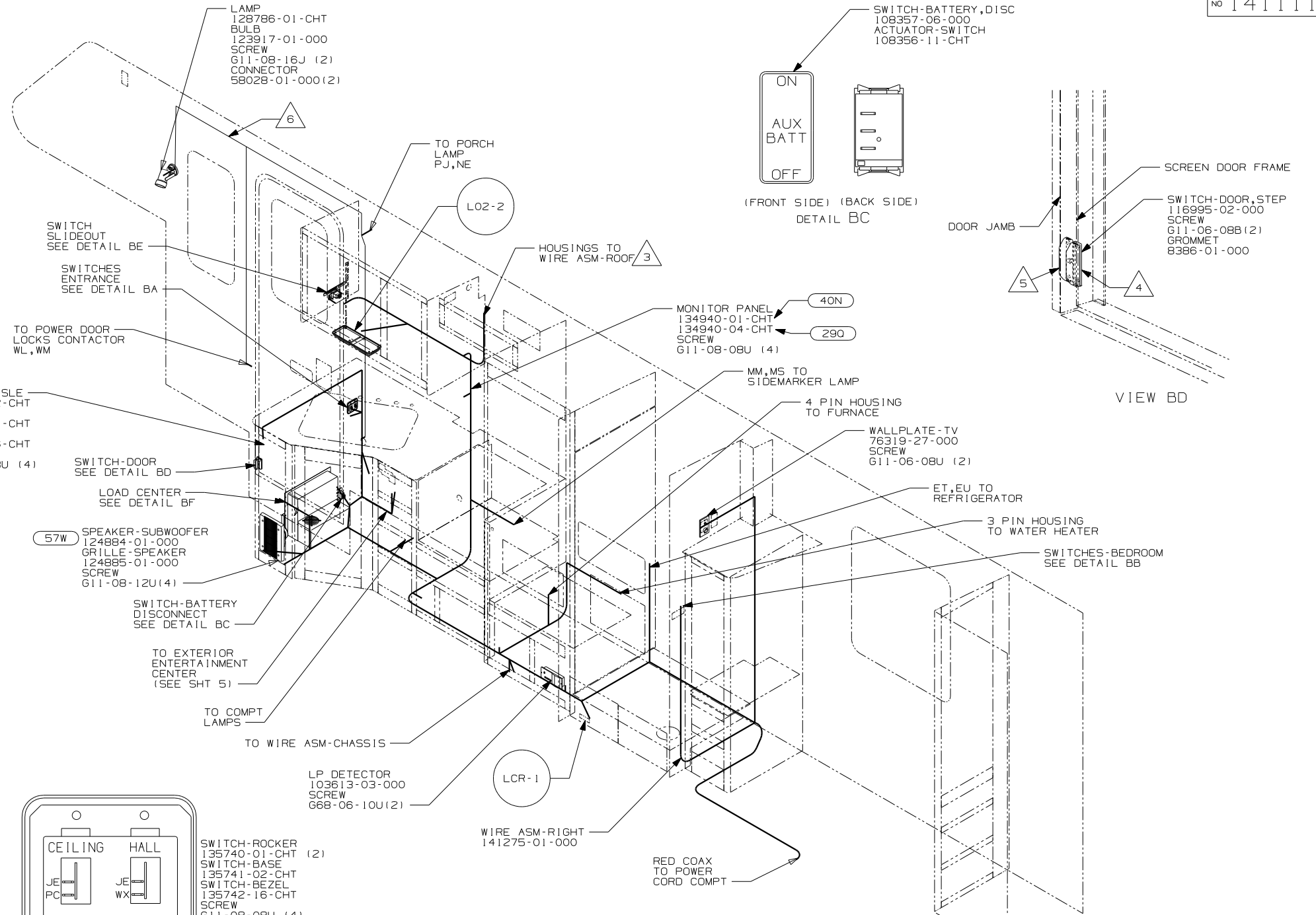


SWITCH-ROCKER
135740-01-CHT (2)
SWITCH-BASE
135741-02-CHT
SWITCH-BEZEL
135742-16-CHT
SCREW
G11-08-08U (4)

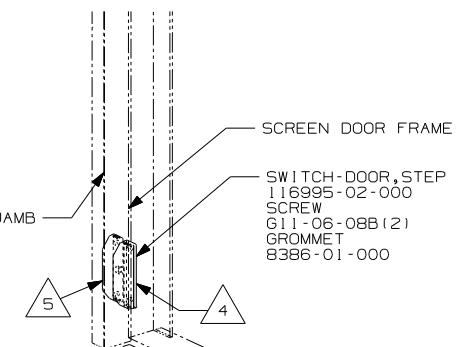


SWITCH-ROCKER
135740-02-CHT
SWITCH-BASE
135741-01-CHT
SWITCH-BEZEL
135742-06-CHT
SCREW
G11-08-08U (2)

DETAIL BB

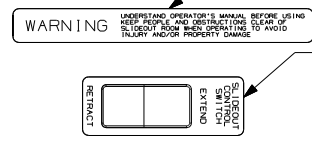


SWITCH-BATTERY, DISC
108357-06-000
ACTUATOR-SWITCH
108356-11-CHT



SWITCH-DOOR, STEP
116995-02-000
SCREW
G11-06-08B (2)
GROMMET
8386-01-000

VIEW BD



WARNING
116549-01-000

PLATE-SWITCH
81994-10-000
SWITCH
108357-06-000
ACTUATOR
108356-02-CHT
NUT
D65-08-08B (2)
LABEL
116220-01-000

DETAIL BE

- 76C ENTERTAINMENT CTR/EXT CASSETTE
- 40N GEN-4, 0KW-ONAN-GAS-MICROLITE
- 1D5 ENTERTAINMENT CENTER/EXT W/CD
- 265 CODES/STANDARDS-CSA/CMVSS
- 1B1 CODES/STANDARDS USA

- 6 WIRE ASM INTEGRAL TO SIDEWALL.
- 5 MOUNT SWITCH AND SPACER TO BLOCK ON JAMB. ADJUST HEIGHT TO MATCH MAGNET.
- 4 MOUNT MAGNET USING PILOT HOLES IN SCREEN DOOR FRAME. MOUNT WITH MAGNET TOWARDS SWITCH.
- 3 WIRE INTEGRAL TO ROOF.
- 2 WITH FRONT ENTERTAINMENT CENTER, SEE WIRING INSTL-TV/VCR, FRONT FOR MORE INFORMATION.
- 1 ALL WIRES TO BE SECURED WITH CLAMP 10495-01-000 OR CLIP 80734-01-000 EVERY 600MM. USE SCREW 667-10-12B UNLESS OTHERWISE SPECIFIED.

FIRST USED	03 431C
DO NOT SCALE DRAWING	
TITLE	WIRING INSTL-BODY, 12V
SHEET 2	PART NO 141111

2 LAMP ASM-
128786-01-CHT
BULB
123917-01-000
SCREW
G11-08-16J (2)
CONNECTOR
58028-01-000 (2)

LFSN2

WIN LFSN2
ITA FLU-4

LF1N2

LSH-1

LFSN2

LF1N2

57W
SPEAKER-DELUXE
124883-02-000 (2)
SCREW
G11-08-12U (6)

LFSN2

WIRE ASM-RIGHT,
COAX-RED
ROUTED BELOW FLOOR,
TO POWER CORD
COMPARTMENT

WALLPLATE-INLET 1
130686-01-CHT
LABEL
87236-01-000
SCREW
G39-08-08U (2)
WIRE-PHONE
COAX-RED

LF1-2
5

WIRE ASM-LAMPS
COMPARTMENT
125266-05-000

TO WIRE
ASM-SDWL,
SLIDEOUT

WIRE ASM-CHASSIS
(REF)

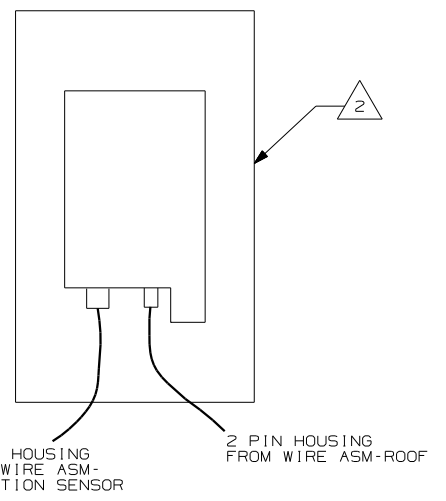
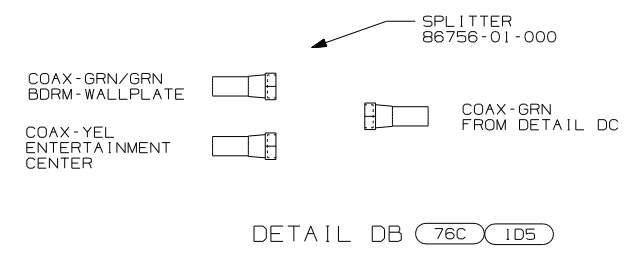
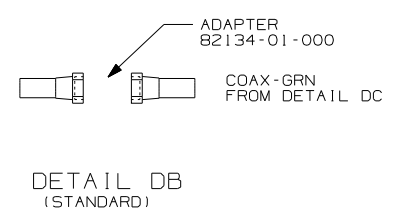
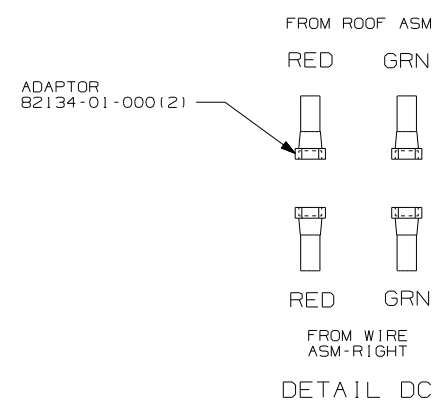
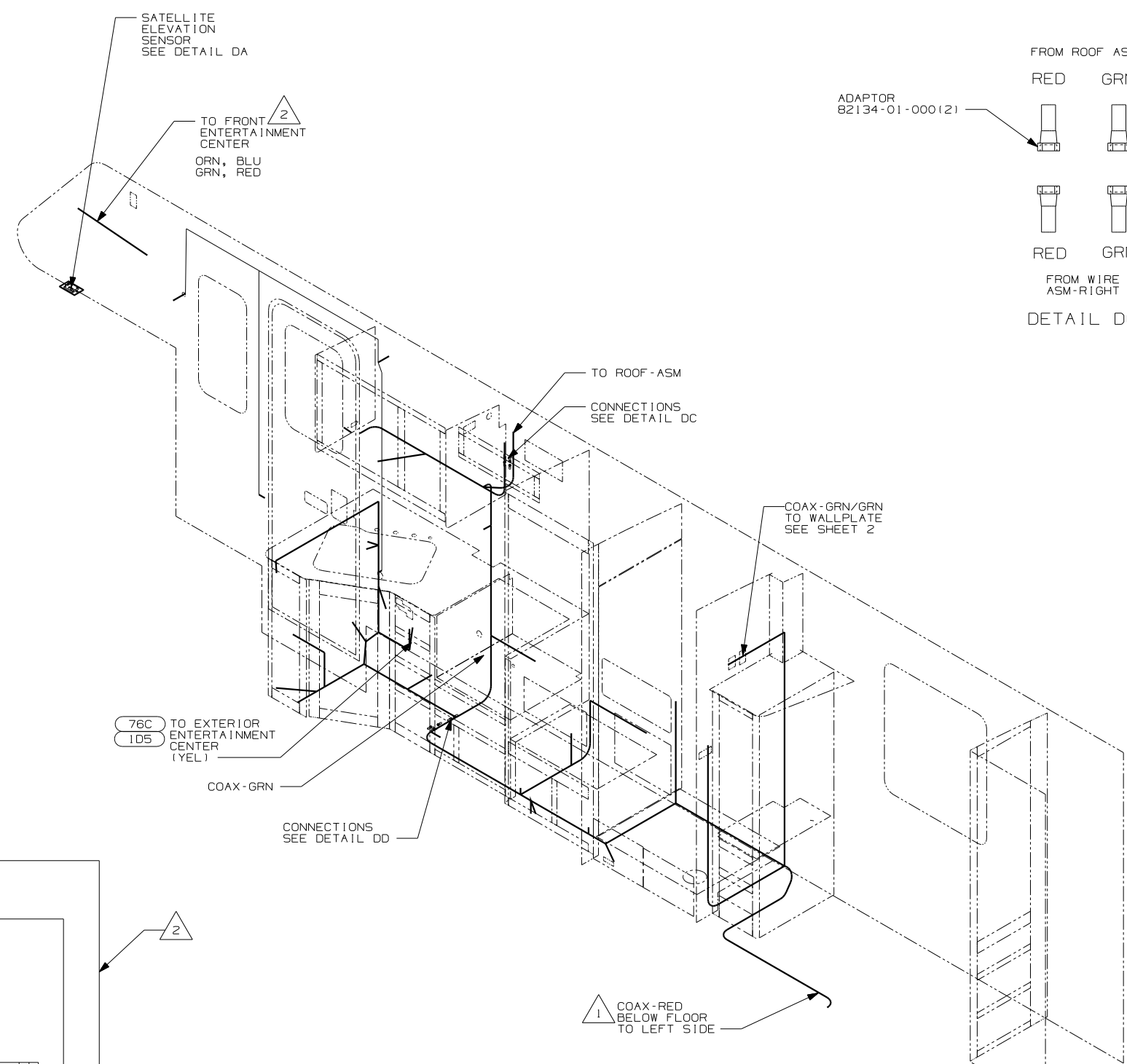
SWITCH-WATER PUMP
108357-15-000
ACTUATOR
108356-03-CHT

WATER CENTER
PANELS
(REF)

(1B1) (265) CEILING LAMPS

2 MOUNTS TO ENTERTAINMENT
CENTER HEADLINER.
1 CONNECT TELEPHONE WIRES TO
MATCHING COLORS ON WALLPLATE.

FIRST USED	03 431C
DO NOT SCALE DRAWING	
TITLE	WIRING INSTL-BODY, 12V
SHEET 3	PART NO 141111



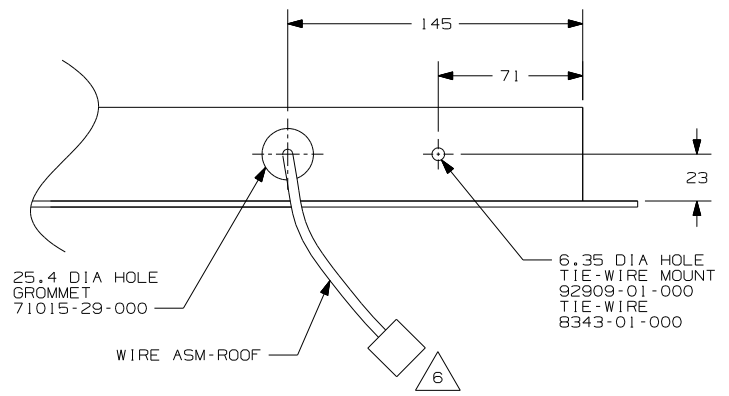
- (ID5) ENTERTAINMENT CTR/EXT W/CD
- (76C) ENTERTAINMENT CTR/EXT CASSETTE
- (480) SATELLITE DISH
- (265) CODES/STANDARDS-CSA/CMVSS
- (IB1) CODES/STANDARDS USA

FIRST USED	03 431C
DO NOT SCALE DRAWING	
TITLE	WIRING INSTL-BODY, 12V
SHEET 4	PART NO 141111

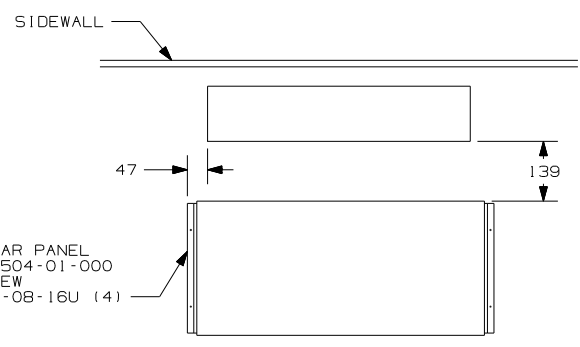
NOTES:

- 4 COAX IS AN INTEGRAL PART OF WIRE ASM-RIGHT.
- 3 SENSOR SUPPLIED WITH SATELLITE ASSEMBLY.
- 2 SEE WIRING INSTL-TV/VCR FRONT FOR ADDITIONAL INFORMATION.
- 1 ROUTES ALONG WITH 110V WIRE ASSEMBLY

Grid lines: 8, 7, 6, 5, 4, 3, 2, 1 (horizontal); D, C, B, A (vertical)

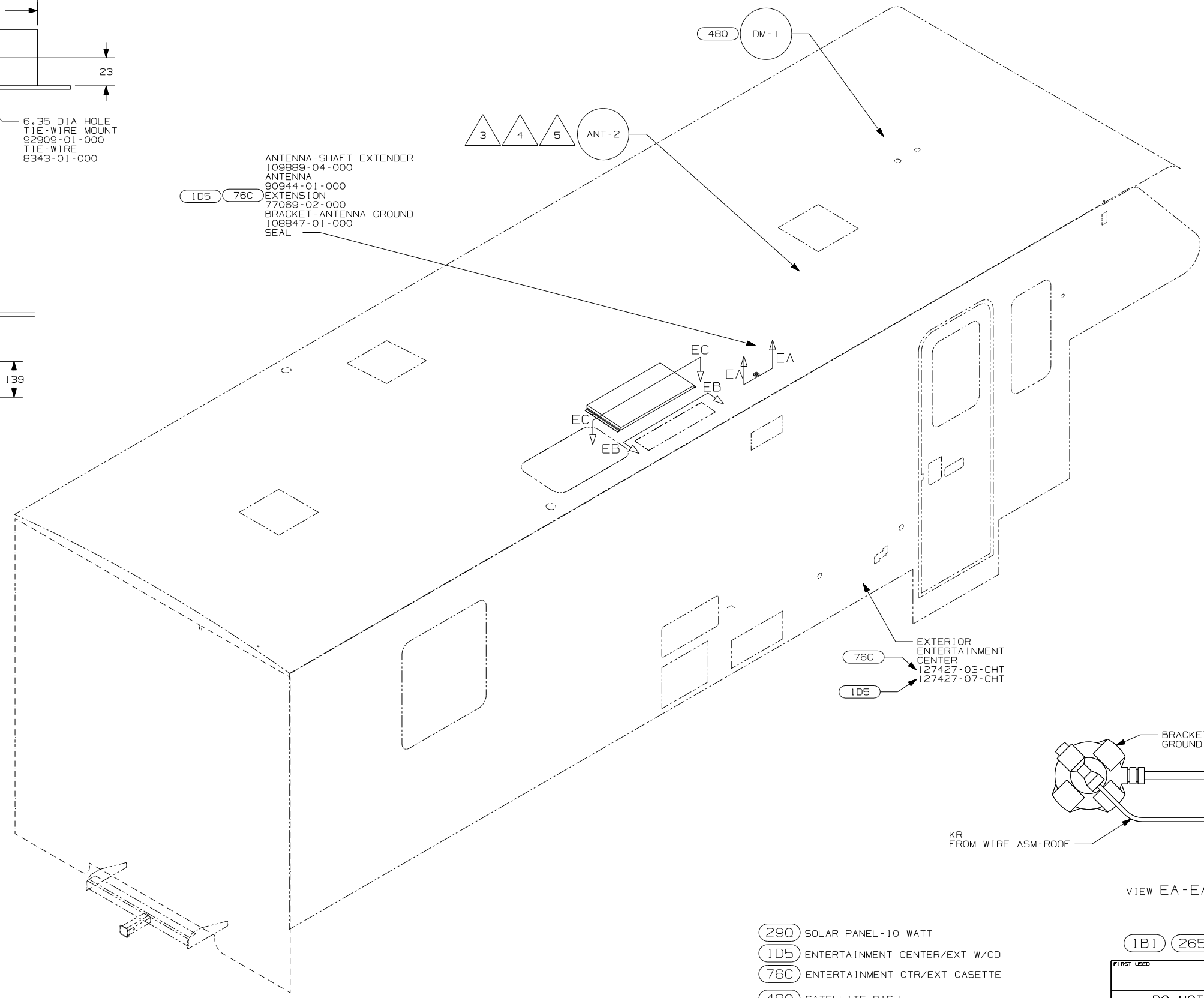


VIEW EB-EB

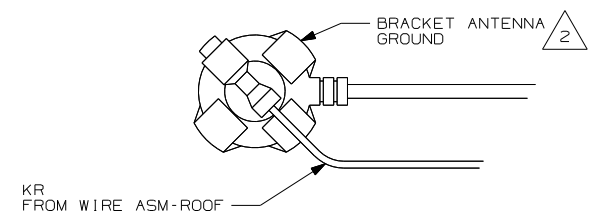


VIEW EC-EC 290

- ANTENNA-SHAFT EXTENDER 109889-04-000
- ANTENNA 90944-01-000
- EXTENSION 77069-02-000
- BRACKET-ANTENNA GROUND 108847-01-000
- SEAL



- EXTERIOR ENTERTAINMENT CENTER 127427-03-CHT
- 127427-07-CHT



VIEW EA-EA 1D5 76C

- 6 FASTEN TO VENT.
- 5 ADD RUBBER BUMPER TO ROOF UNDER EACH END OF ANTENNA IN DOWN POSITION WHICH MAY COME INTO CONTACT WITH ROOF SURFACE.
- 4 LOCATE CLAMP TO RETAIN CABLE BUT NOT TO RESTRICT ANTENNA TRAVEL.
- 3 SEE DRAWING 76319-01-000 FOR INSTALLATION OF TV ANTENNA.
- 2 WRAP BRACKET LEGS AROUND ANTENNA BASE.

NOTES: 1 CONNECTOR-PLUG,TRAILER 113589-01-000 TO BE SUPPLIED LOOSE IN COACH WITH TRAILER TOW PACKAGE.

- 290 SOLAR PANEL-10 WATT
- 1D5 ENTERTAINMENT CENTER/EXT W/CD
- 76C ENTERTAINMENT CTR/EXT CASSETTE
- 480 SATELLITE DISH
- 265 CODES/STANDARDS-CSA/CMVSS
- 1B1 CODES STANDARDS/USA

- 1B1 265

FIRST USED		03 431C	
DO NOT SCALE DRAWING			
TITLE: WIRING INSTL-BODY,12V			
SHEET 5	PART NO	141111	