



DANGER

Danger of electrical shock, burns or death. Always remove all power sources before attempting any repair, service or diagnostic work. Power can be present from shore power, generator, inverter or battery. All power sources must be disabled and secured before performing any service.



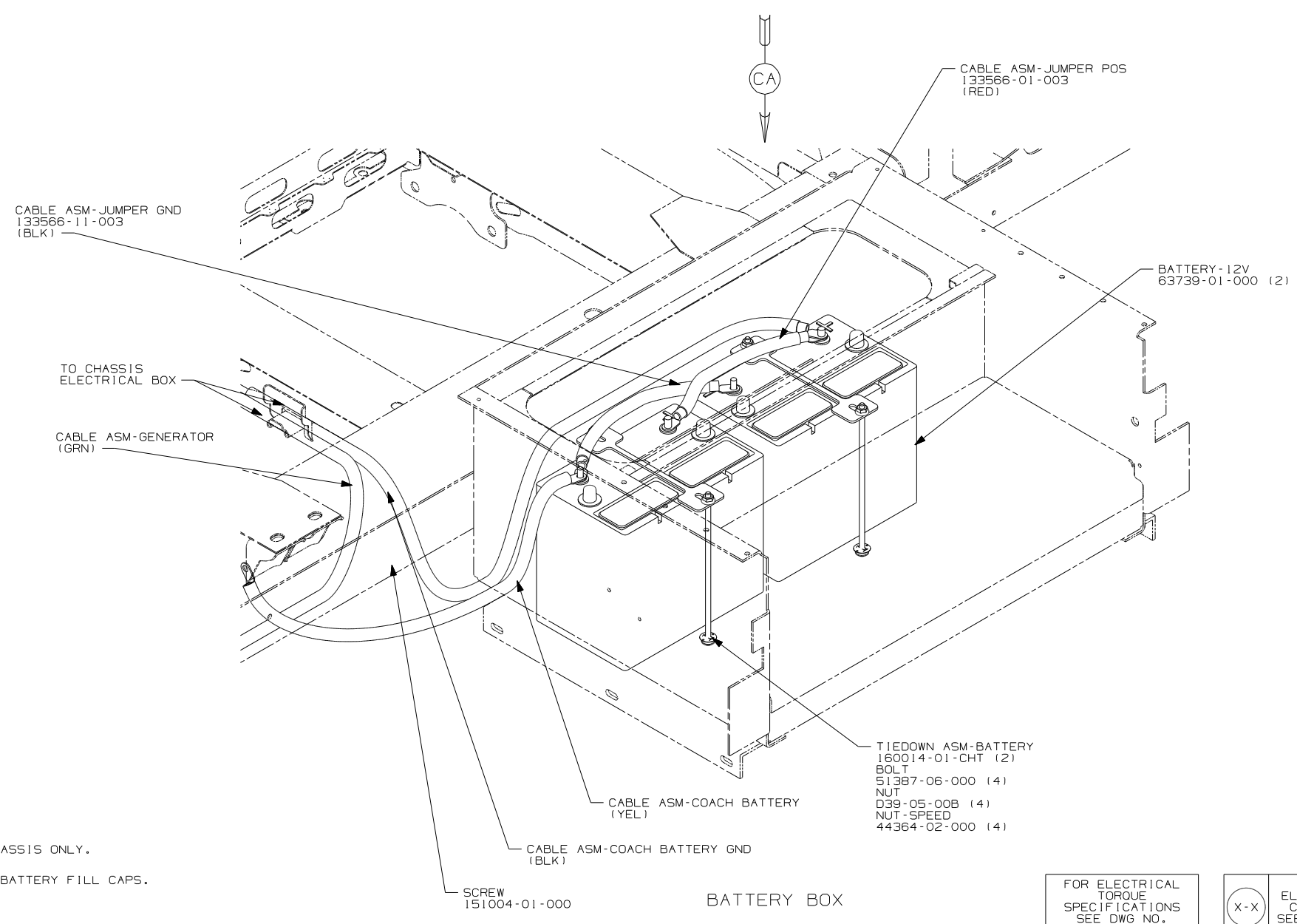
CAUTION

If you lack the skills, tools or equipment to perform diagnostic or repair work leave such work to an authorized Winnebago Industries dealer or other qualified shop.

DRAWING NO.	MODEL	SHEET
160322-01	524H,524J	1,3
160322-02	524B	2,3
160322-03	524CL,524DL	4

RELEASE	REV/DATE	DWG NO
	A	160322
REV ZONE	REVISION RECORD	DATE
		DFTR-ORIG

	524B	524H	524J	524CL	524DL
CABLE ASM-STARTER (RED)	141415-37-013	141415-37-013	141415-37-013	141415-37-013	141415-37-013
CABLE ASM-COACH BATTERY (YEL)	141415-52-030	141415-52-053	141415-52-053	141415-52-048	141415-52-048
CABLE ASM-COACH BATTERY GND (BLK)	133567-12-008	133567-12-006	133567-12-006	133567-12-007	133567-12-007
CABLE ASM-GENERATOR (GRN) (40N) OR (52G) OR (321)	141415-42-086	141415-42-086	141415-42-086	141415-42-083	141415-42-083
CABLE ASM-GENERATOR GND (BLK) (40N) OR (52G) OR (321)	133566-12-021	133566-12-021	133566-12-021	133566-12-021	133566-12-021
CABLE ASM-GENERATOR (GRN) (33F) OR (323)	141416-42-080	141416-42-080	141416-42-080	141416-42-075	141416-42-075
CABLE ASM-GENERATOR GND (BLK) (33F) OR (323)	133567-12-011	133567-12-011	133567-12-011	133567-12-011	133567-12-011



- (323) GENERATOR PREP KIT - DIESEL
- (321) GENERATOR PREP KIT
- (265) CODES/STANDARDS-CSA/CMVSS
- (1B1) CODES/STANDARDS USA



DFTR	ORIG. DATE
CHKR	ALL DIMENSIONS ARE IN MILLIMETERS
P.E.	
M.E.	FIRST USED
DSNR	08 500-SERIES

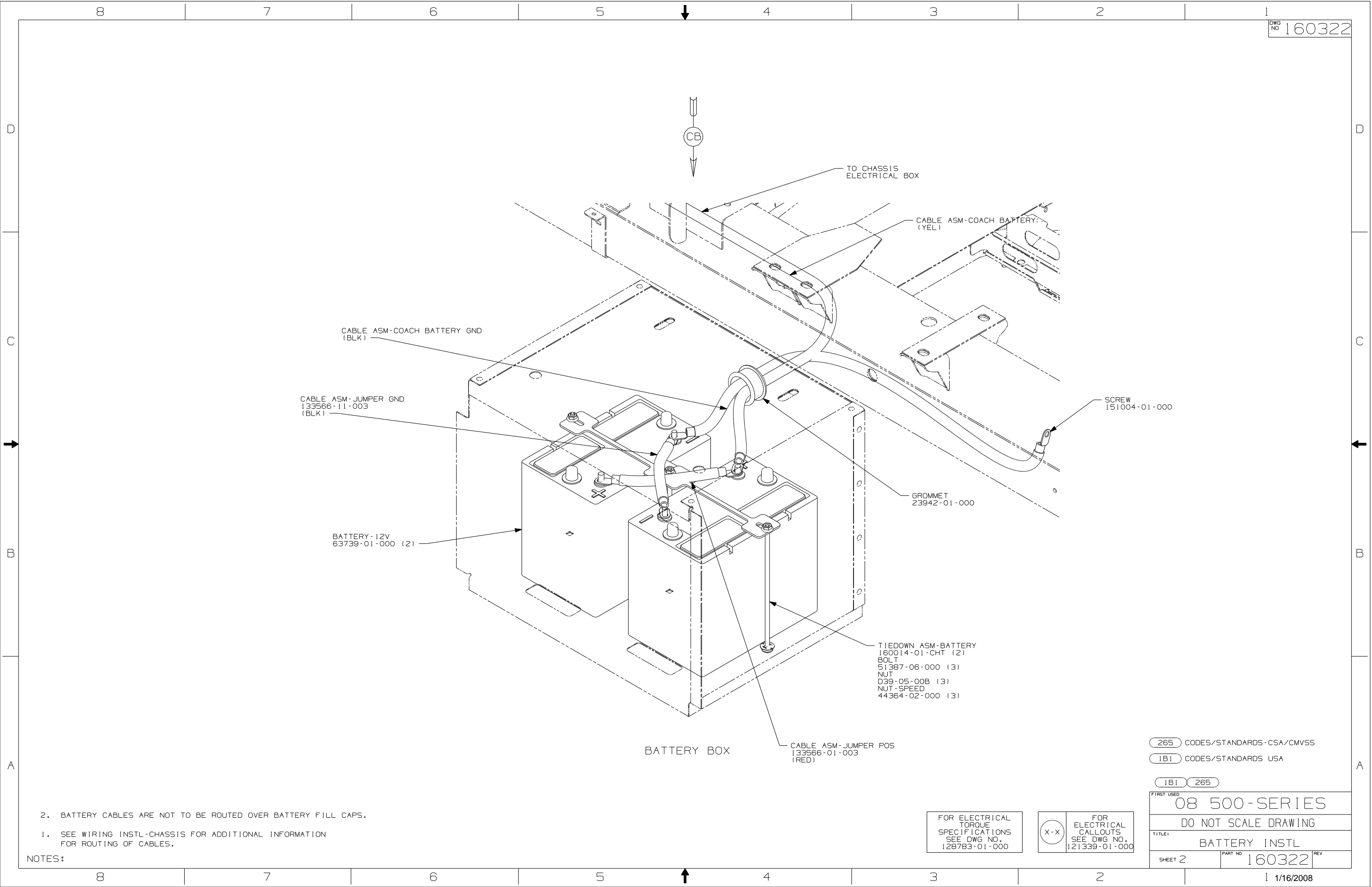
UNSPECIFIED TOLERANCES ARE:	MATERIAL:
WHOLE DIM (X) :	
ONE-PLACE (X.X) :	
TWO-PLACE (X.XX) :	
ANGLE :	
THIRD ANGLE PROJECTION	

DO NOT SCALE DRAWING	
TITLE:	BATTERY INSTL
SHEET 1 of 4	PART NO 160322

- NOTES:
1. SEE WIRING INSTL-CHASSIS FOR ADDITIONAL INFORMATION ON ROUTING OF CABLES.
 2. BATTERY CABLES ARE NOT TO BE ROUTED OVER BATTERY FILL CAPS.

FOR ELECTRICAL TORQUE SPECIFICATIONS SEE DWG NO. 128783-01-000

FOR ELECTRICAL CALLOUTS SEE DWG NO. 121339-01-000



2. BATTERY CABLES ARE NOT TO BE ROUTED OVER BATTERY FILL CAPS.
1. SEE WIRING INSTL-CHASSIS FOR ADDITIONAL INFORMATION FOR ROUTING OF CABLES.

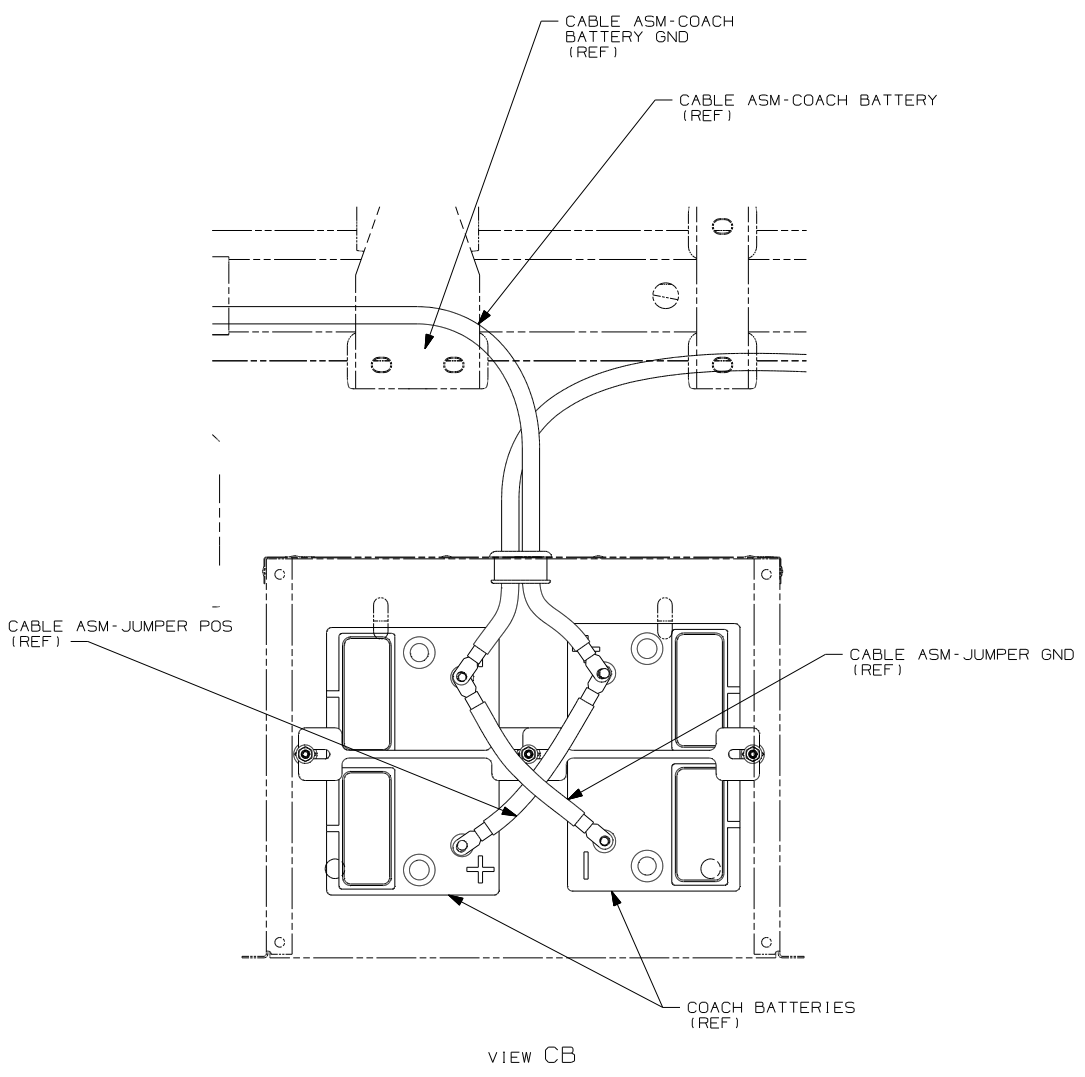
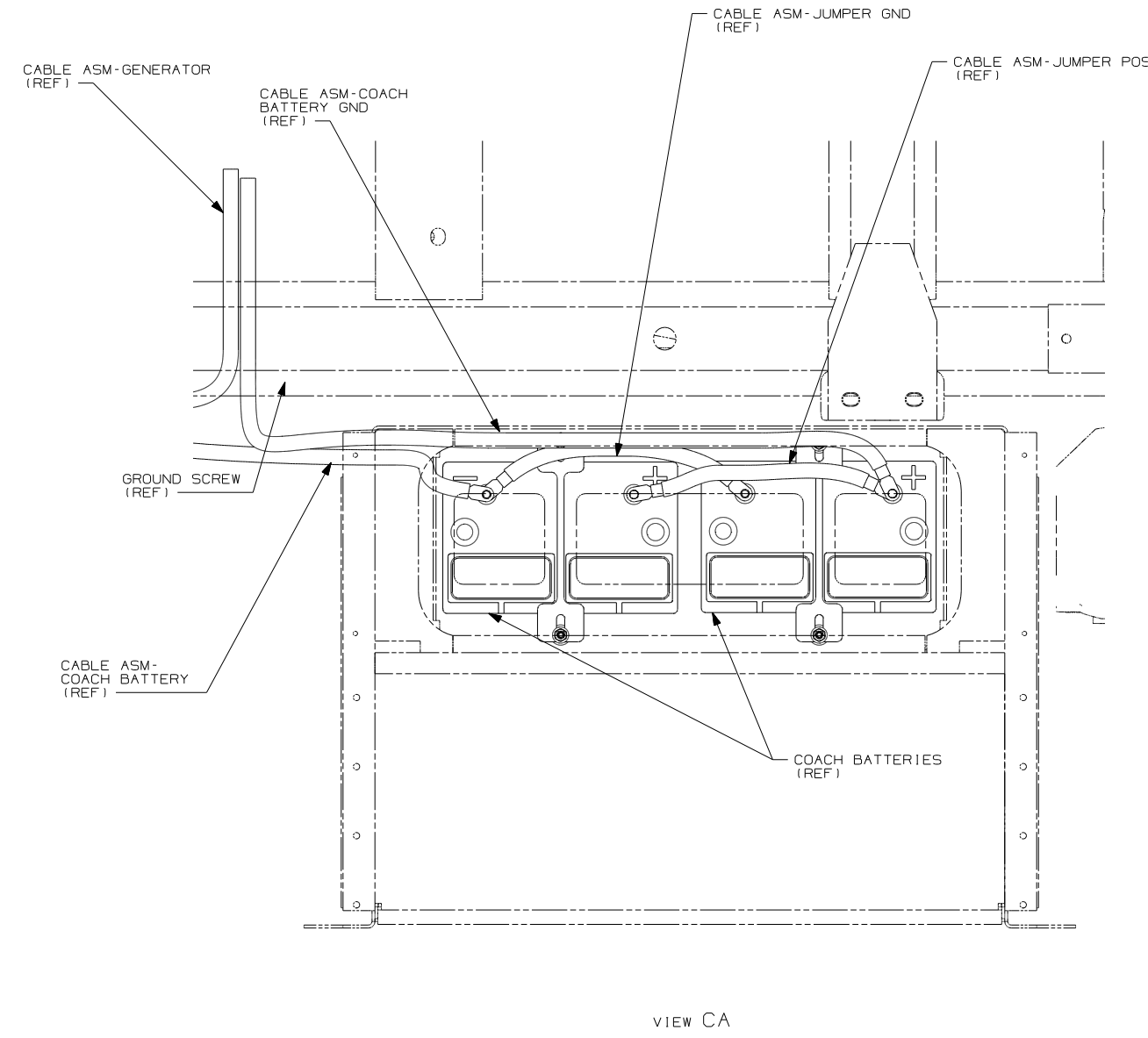
NOTES:

FOR ELECTRICAL TORQUE SPECIFICATIONS SEE DWG NO. 128783-01-000

FOR ELECTRICAL CALLOUTS SEE DWG NO. 121339-01-000

265 CODES/STANDARDS-CSA/CMVSS
 1B1 CODES/STANDARDS USA
 1B1 265

FIRST USED	
08 500-SERIES	
DO NOT SCALE DRAWING	
TITLE: BATTERY INSTL	
SHEET 2	PART NO 160322 REV



VIEW CB

VIEW CA

265 CODES/STANDARDS - CSA/CMVSS

1B1 CODES/STANDARDS USA

1B1 265

FIRST USED 08 500-SERIES

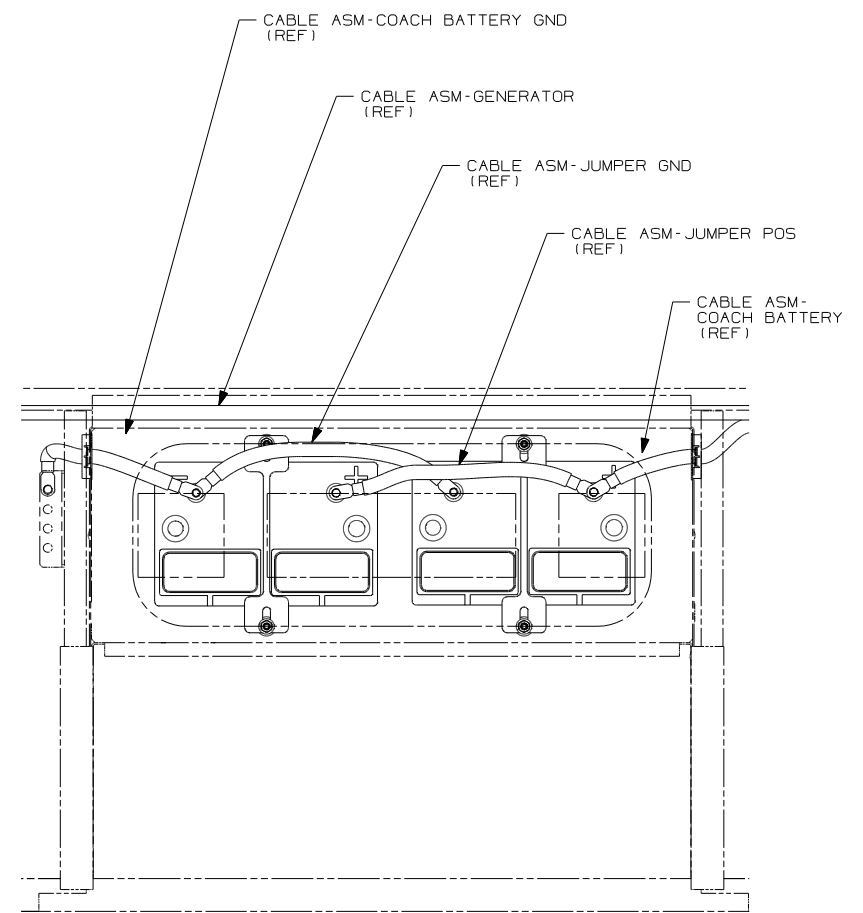
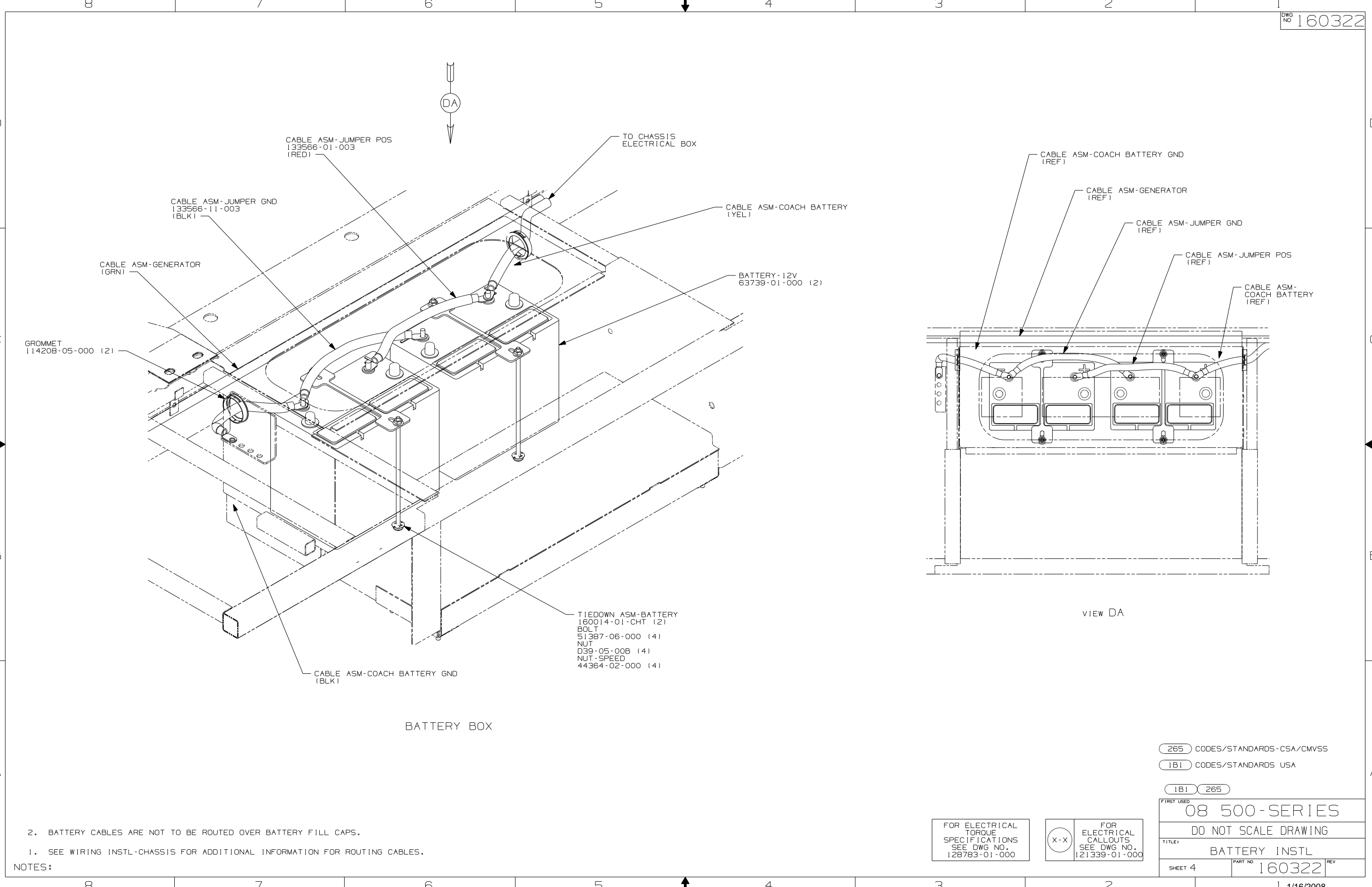
DO NOT SCALE DRAWING

TITLE: BATTERY INSTL

SHEET 3 PART NO 160322 REV

FOR ELECTRICAL TORQUE SPECIFICATIONS SEE DWG NO. 128783-01-000

X-X FOR ELECTRICAL CALLOUTS SEE DWG NO. 121339-01-000



NOTES:
 1. SEE WIRING INSTL-CHASSIS FOR ADDITIONAL INFORMATION FOR ROUTING CABLES.
 2. BATTERY CABLES ARE NOT TO BE ROUTED OVER BATTERY FILL CAPS.

FOR ELECTRICAL TORQUE SPECIFICATIONS SEE DWG NO. 128783-01-000

FOR ELECTRICAL CALLOUTS SEE DWG NO. 121339-01-000

265 CODES/STANDARDS-CSA/CMVSS
 1B1 CODES/STANDARDS USA
 1B1 265

FIRST USED	
08 500-SERIES	
DO NOT SCALE DRAWING	
TITLE: BATTERY INSTL	
SHEET 4	PART NO 160322 REV