



DANGER

Danger of electrical shock, burns or death. Always remove all power sources before attempting any repair, service or diagnostic work. Power can be present from shore power, generator, inverter or battery. All power sources must be disabled and secured before performing any service.

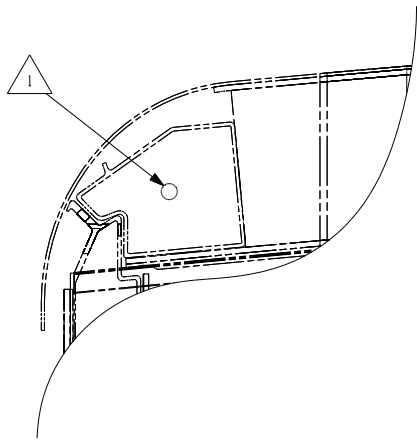
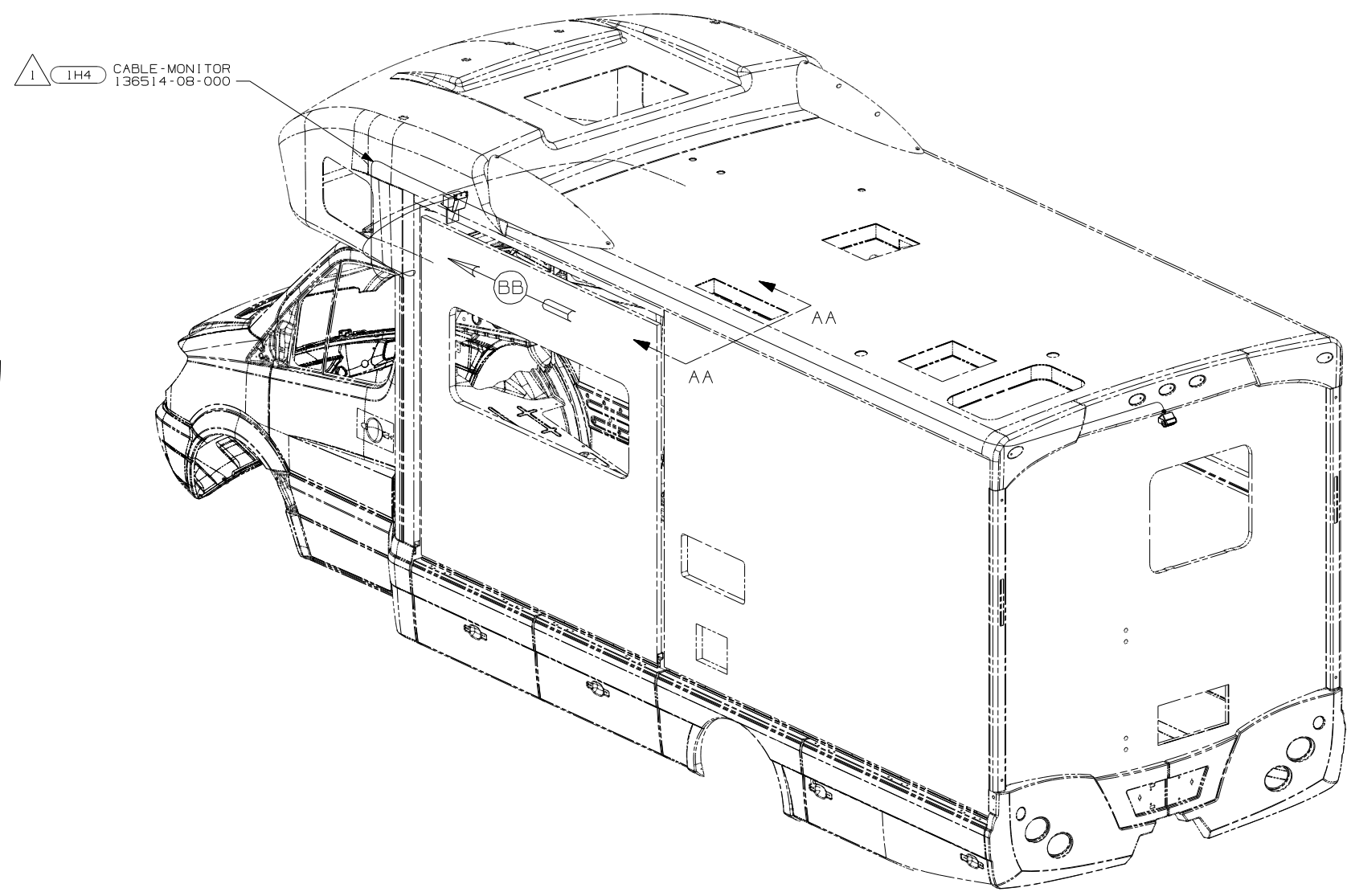


CAUTION

If you lack the skills, tools or equipment to perform diagnostic or repair work leave such work to an authorized Winnebago Industries dealer or other qualified shop.

DRAWING NO.	MODEL	SHEETS
160332-01	524B, 524H, 524J	1, 2
160332-02	524CL	3, 4
160332-03	524DL	5, 6

RELEASE	REV DATE	DWG NO
A		160332
REV ZONE	REVISION RECORD	DATE DFR-ORIG



SECTION AA-AA

- 1H4 REARVIEW MONITOR-WIRE PREP
- 265 CODES/STANDARDS-CSA/CMVSS
- 1B1 CODES/STANDARDS USA
- 1B1 265 524B, 524H, 524J

WINNEBAGO COPYRIGHT 2006 WINNEBAGO INDUSTRIES, INC.

DFTR	ORIG. DATE
CHKR	ALL DIMENSIONS ARE IN MILLIMETERS
P.E.	
M.E.	FIRST USED
DSNR	08 500-SERIES

UNSPECIFIED TOLERANCES ARE:	MATERIAL:
HOLE DIM (X)	: 3
ONE-PLACE (X.X)	: 1.5
TWO-PLACE (X.XX)	: 0.50
ANGLE	: 1°

THIRD ANGLE PROJECTION

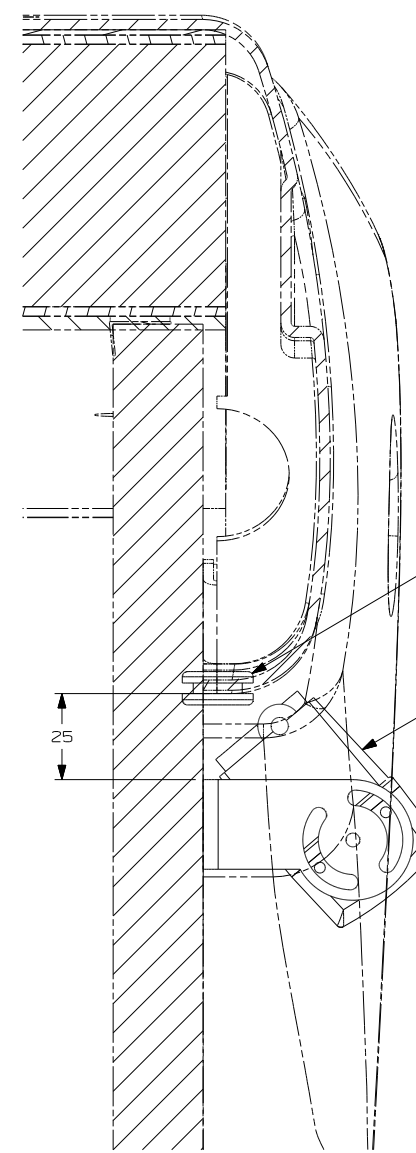
FOR ELECTRICAL TORQUE SPECIFICATIONS SEE DWG NO. 128783-01-000

FOR ELECTRICAL CALLOUTS SEE DWG NO. 121339-01-000

NOTES:
 1 RUN MONITOR CABLE IN ROOF COVE ON LEFT SIDE OF COACH.

DO NOT SCALE DRAWING

TITLE:	MONITOR INSTL
SHEET 1 of 6	PART NO 160332 REV
REF:	1 11/2/2007

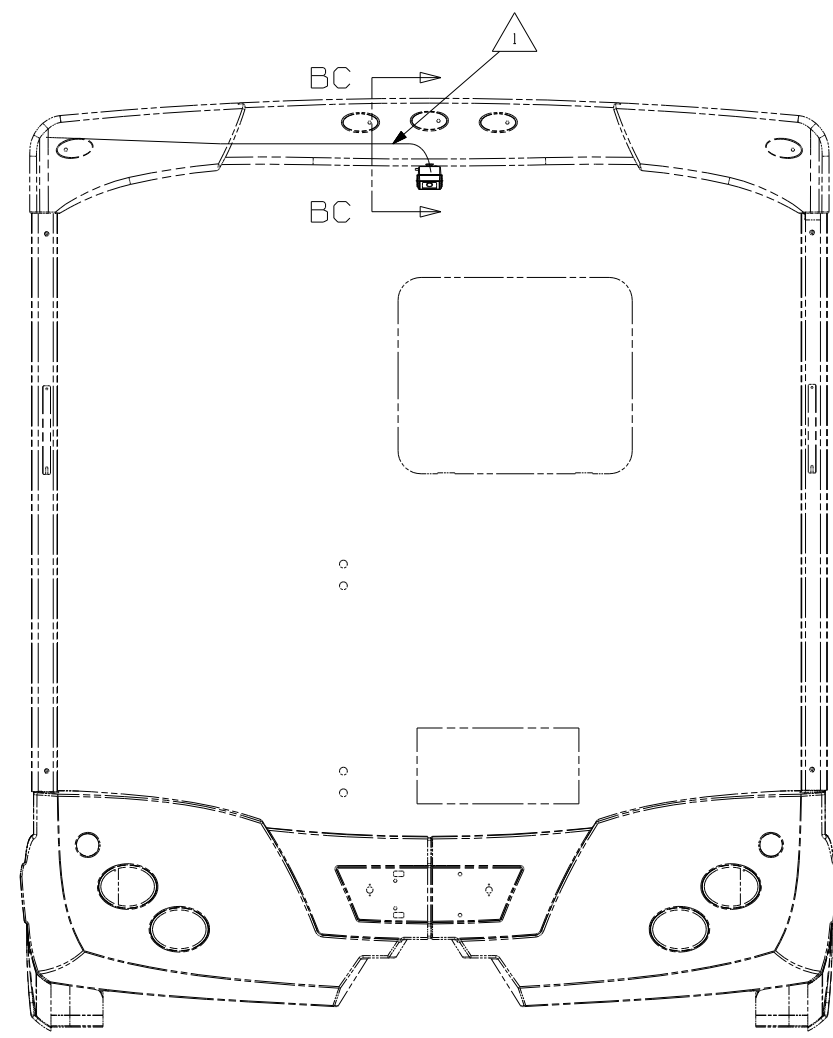


SECTION BC-BC

GROMMET
71015-30-000 (74J)

CAMERA-REARVIEW
144677-14-CHT
SCREW
639-10-12U (EXT) (5) (74J)

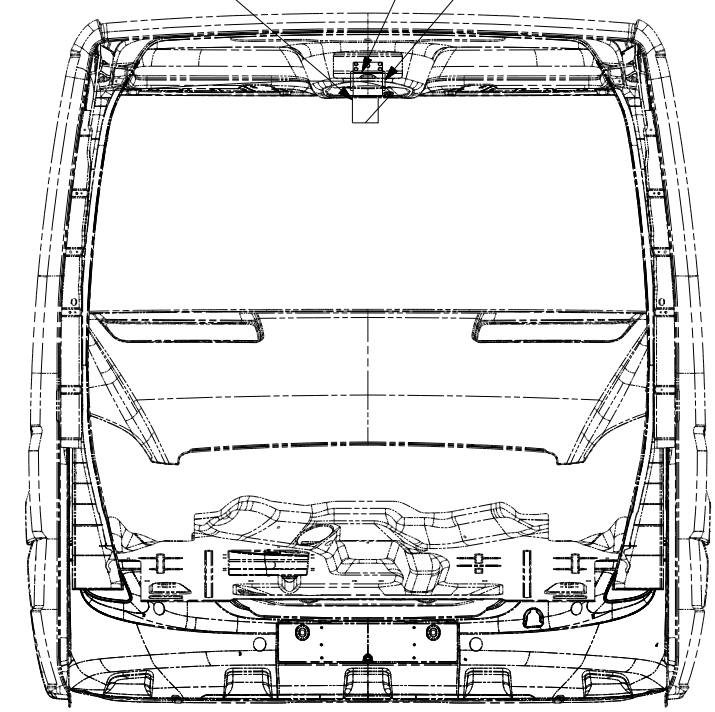
25



VIEW BA

TELEVISION SYST-REAR VIEW
136514-07-000
GROMMET
71015-22-000 (74J)

BRACKET-MONITOR
153383-02-CHT
SCREW
639-10-12U (4) (1H4) (6)



VIEW BB

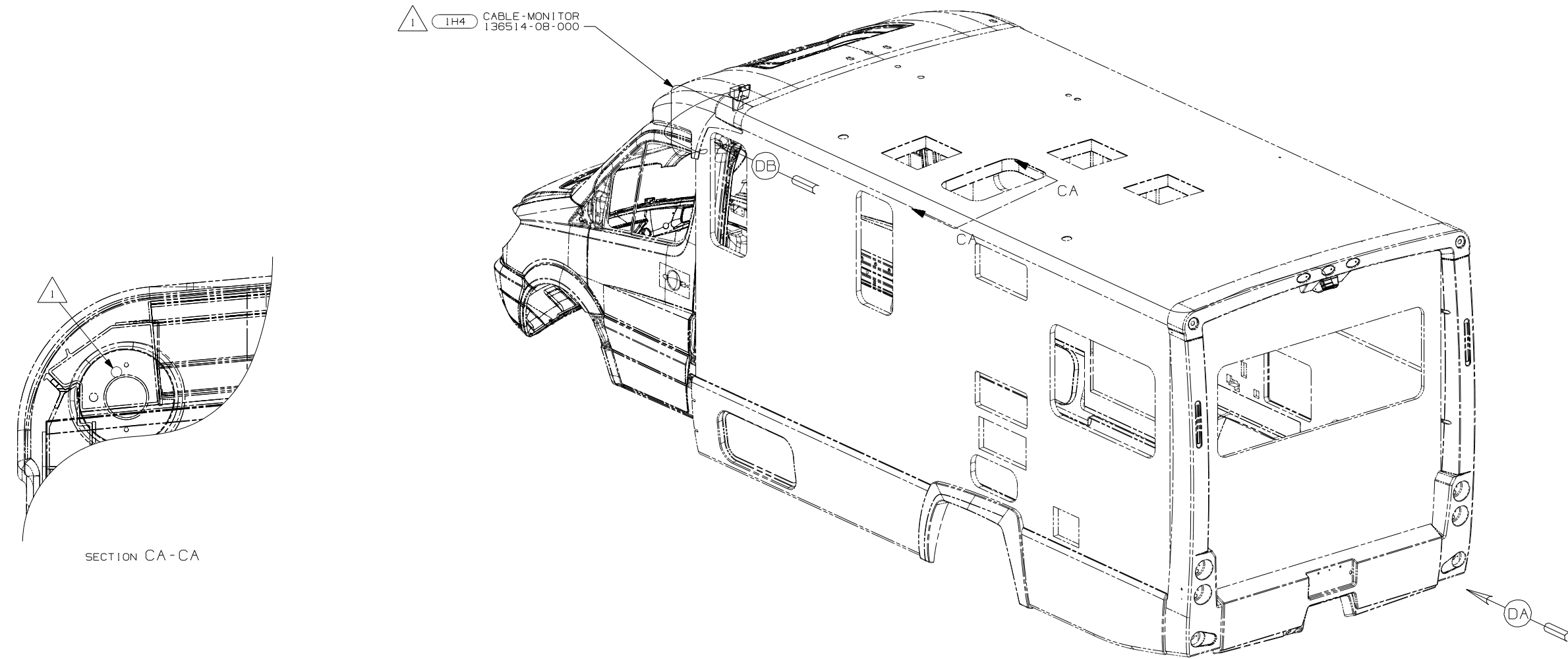
- NOTES:
- 6 USE HOLE IN CENTER OF CAB WINDSHIELD HEADER AND HOLE IN CENTER OF BRACKET TO LOCATE THE POSITION OF MONITOR BRACKET.
 - 5 CONNECT REAR MONITOR CABLE TO A/VI WIRE IN ADAPTER BOX.
 - 4 MOUNT ADAPTER BOX BEHIND TRIM PANEL WITH FASTENER-DUAL LOCK 85774-01-000 (100MM) & 85774-02-000 (100MM).
 - 3 PLUG 3 PIN POWER HARNESS AND REAR MONITOR CABLE INTO REAR MONITOR ASSEMBLY.
 - 2 USE SCREWS SUPPLIED WITH TELEVISION SYSTEM TO MOUNT MONITOR TO HEADLINER.
 - 1 END CABLE IN THIS AREA ON UNITS WITHOUT MONITOR WITH (1H4)

- (74J) REARVIEW MONITOR SYS W/AUDIO
- (1H4) REARVIEW MONITOR-WIRE PREP
- (265) CODES/STANDARDS-CSA/CMVSS
- (1B1) CODES/STANDARDS USA

FIRST USED	
08 500-SERIES	
DO NOT SCALE DRAWING	
TITLE: MONITOR INSTL	
SHEET 2	PART NO 160332 REV

FOR ELECTRICAL TORQUE SPECIFICATIONS SEE DWG NO. 128783-01-000

FOR ELECTRICAL CALLOUTS SEE DWG NO. 121339-01-000



1 IH4 CABLE-MONITOR
136514-08-000

SECTION CA-CA

- 1H4 REARVIEW MONITOR-WIRE PREP
- 265 CODES/STANDARDS-CSA/CMVSS
- 1B1 CODES/STANDARDS USA

1B1 265 524CL

FIRST USED	
08 500-SERIES	
DO NOT SCALE DRAWING	
TITLE:	
MONITOR INSTL	
SHEET 3	PART NO 160332 REV

FOR ELECTRICAL
TORQUE
SPECIFICATIONS
SEE DWG NO.
128783-01-000

FOR ELECTRICAL
CALLOUTS
SEE DWG NO.
121339-01-000

NOTES:
1 RUN MONITOR CABLE IN ROOF COVE ON LEFT SIDE OF COACH.

8

7

6

5

4

3

2

1

8

7

6

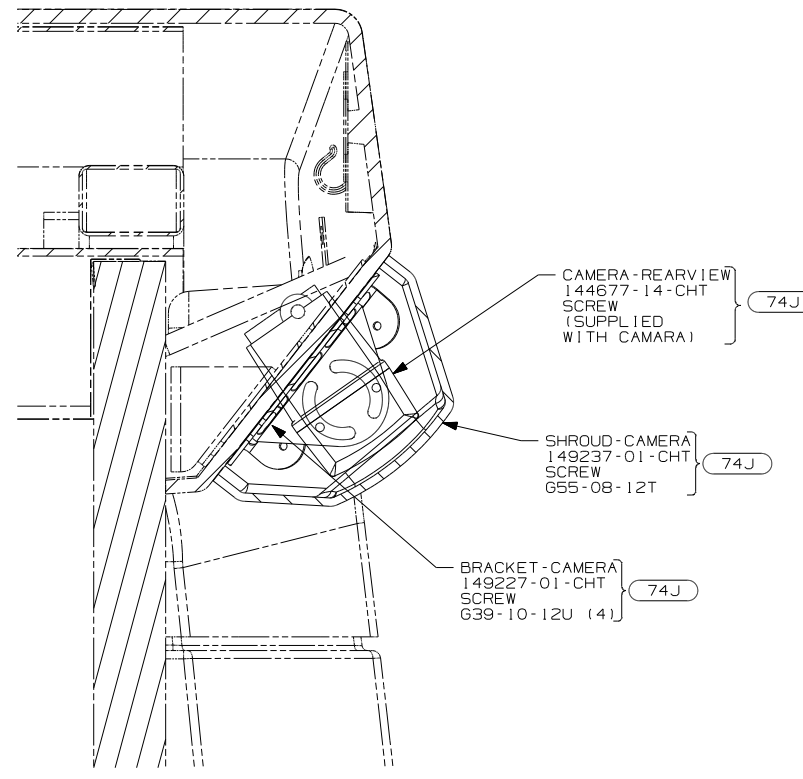
5

4

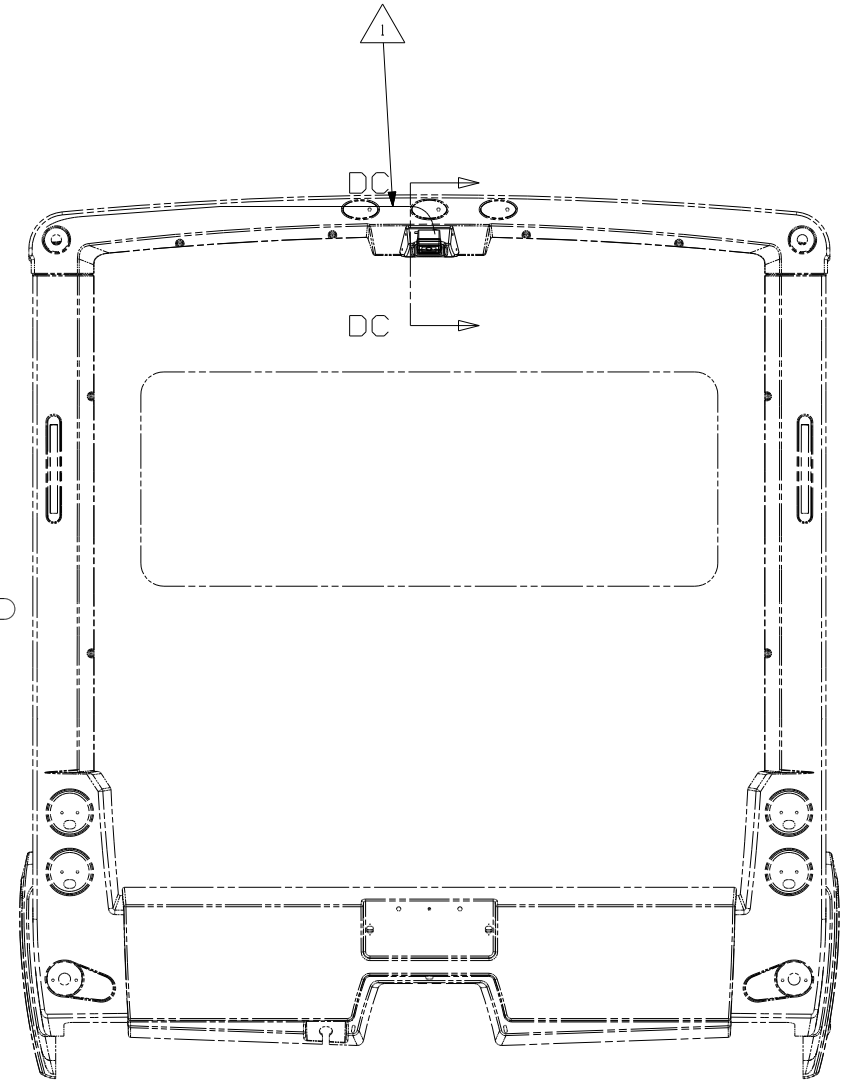
3

2

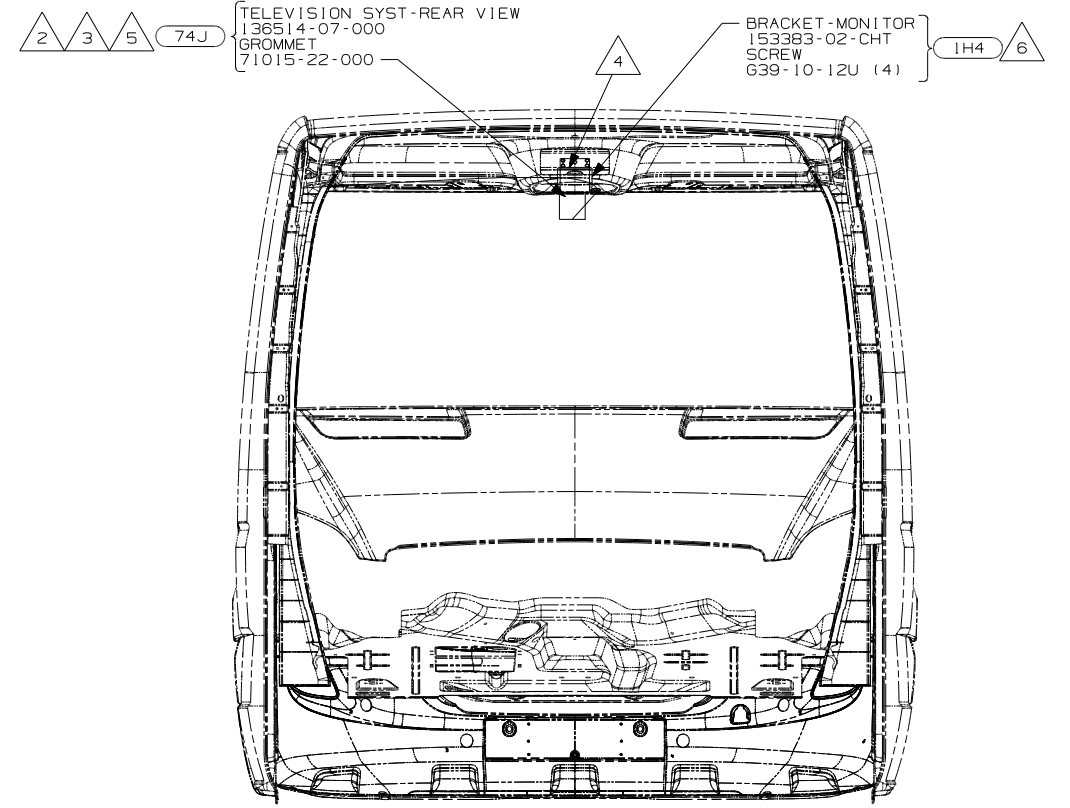
1 11/2/2007



SECTION DC-DC



VIEW DA



VIEW DB

- NOTES:
- 6 USE HOLE IN CENTER OF CAB WINDSHIELD HEADER AND HOLE IN CENTER OF BRACKET TO LOCATE THE POSITION OF MONITOR BRACKET.
 - 5 CONNECT REAR MONITOR CABLE TO A/V1 WIRE IN ADAPTER BOX.
 - 4 MOUNT ADAPTER BOX BEHIND TRIM PANEL WITH FASTENER-DUAL LOCK 85774-01-000 (100MM) & 85774-02-000 (100MM).
 - 3 PLUG 3 PIN POWER HARNESS AND REAR MONITOR CABLE INTO REAR MONITOR ASSEMBLY.
 - 2 USE SCREWS SUPPLIED WITH TELEVISION SYSTEM TO MOUNT MONITOR TO HEADLINER.
 - 1 END CABLE IN THIS AREA ON UNITS WITHOUT MONITOR WITH 1H4

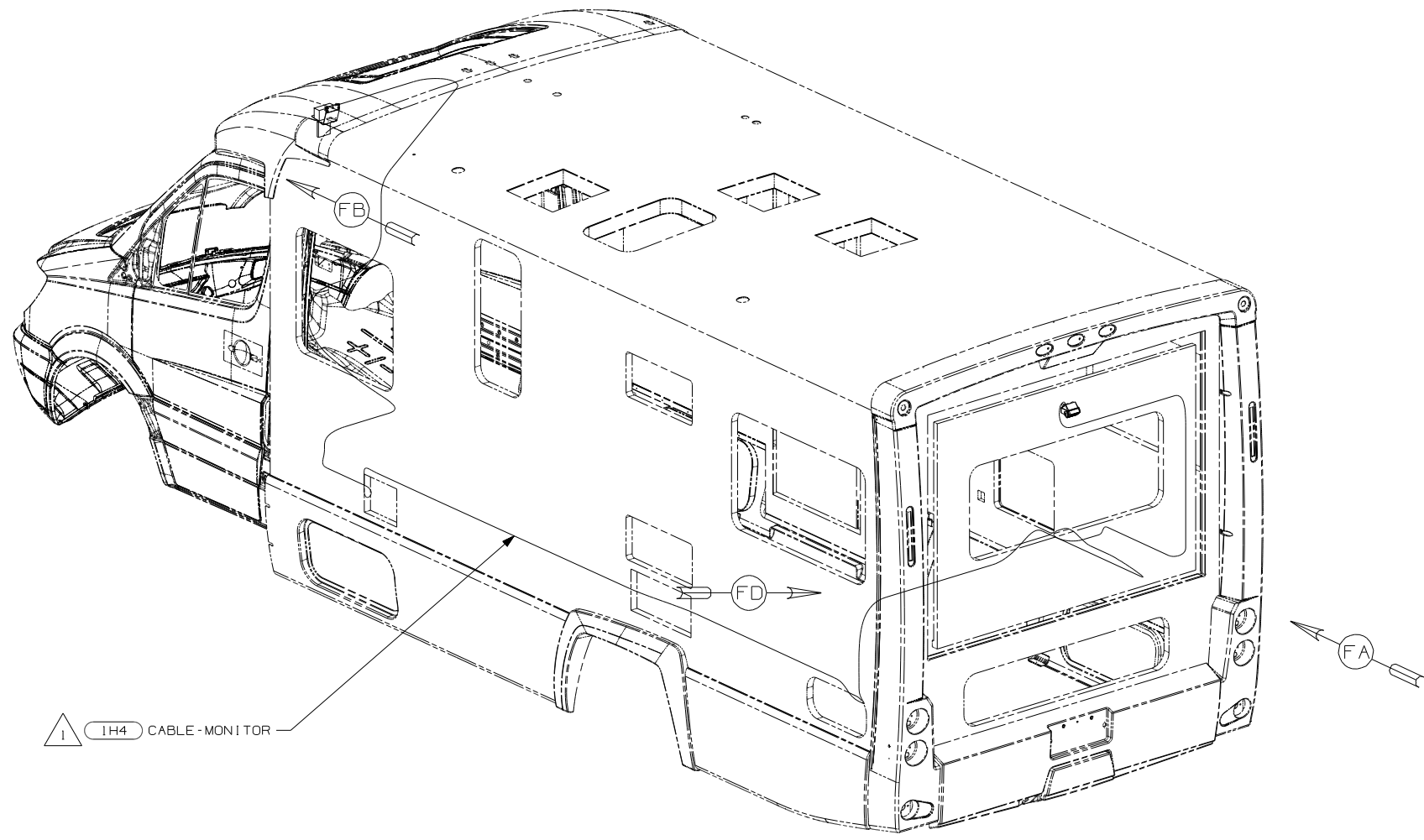
- 74J REARVIEW MONITOR SYS W/AUDIO
- 1H4 REARVIEW MONITOR-WIRE PREP
- 265 CODES/STANDARDS-CSA/CMVSS
- 1B1 CODES/STANDARDS USA

FIRST USED	
08 500-SERIES	
DO NOT SCALE DRAWING	
TITLE: MONITOR INSTL	
SHEET 4	PART NO 160332 REV

FOR ELECTRICAL TORQUE SPECIFICATIONS SEE DWG NO. 128783-01-000

FOR ELECTRICAL CALLOUTS SEE DWG NO. 121339-01-000





1 IH4 CABLE-MONITOR

- 1H4 REARVIEW MONITOR-WIRE PREP
- 265 CODES/STANDARDS-CSA/CMVSS
- 1B1 CODES/STANDARDS USA

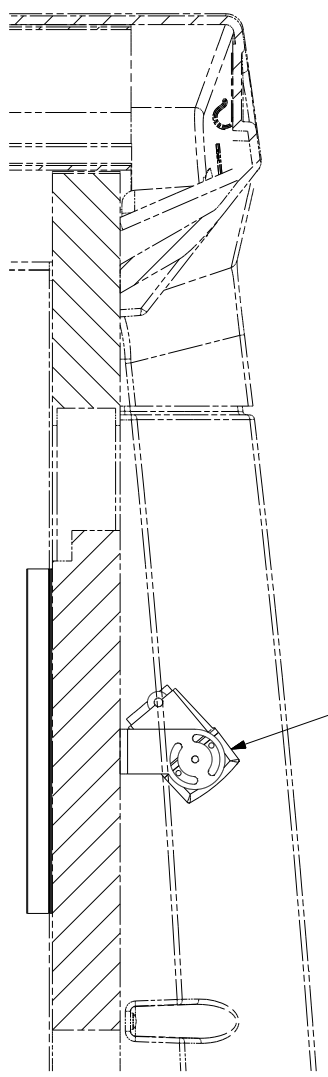
1B1 265 524DL

FIRST USED	
08 500-SERIES	
DO NOT SCALE DRAWING	
TITLE: MONITOR INSTL	
SHEET 5	PART NO 160332 REV

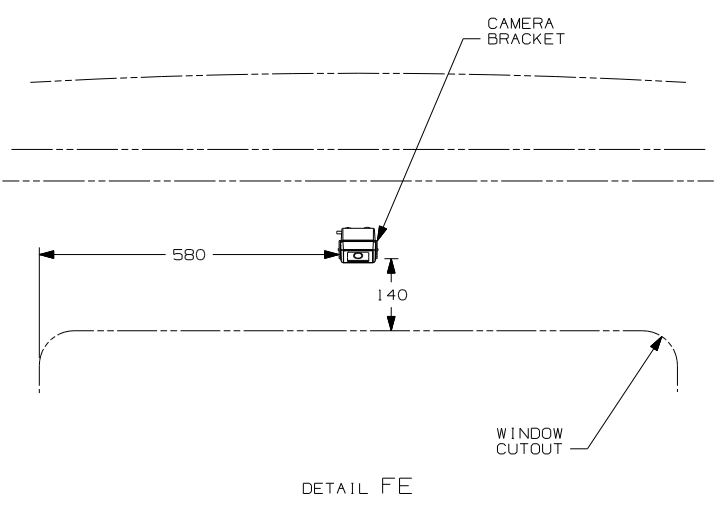
FOR ELECTRICAL TORQUE SPECIFICATIONS SEE DWG NO. 128783-01-000

FOR ELECTRICAL CALLOUTS SEE DWG NO. 121339-01-000

NOTES: 1 REAR MONITOR CABLE IS PART OF WIRE ASM-CHASSIS.



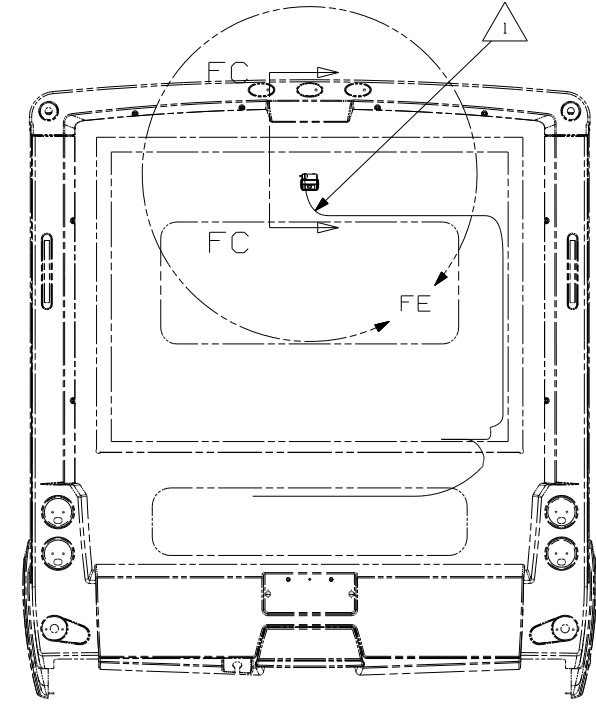
SECTION FC-FC



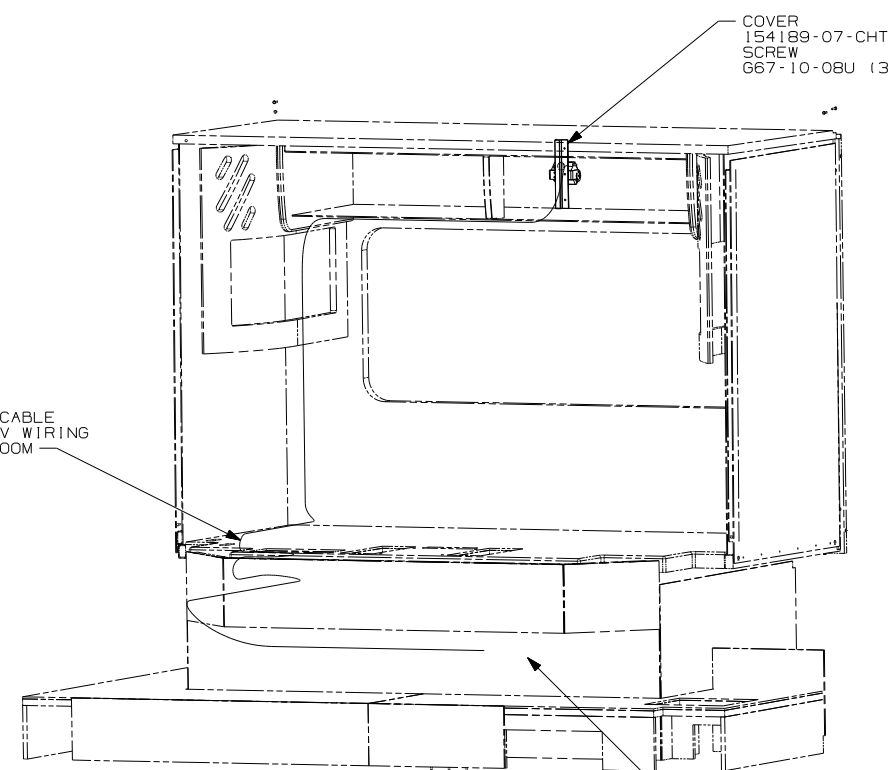
DETAIL FE

CAMERA-REARVIEW
144677-14-CHT
SCREW
639-10-12U (EXT) (5)

74J



VIEW FA



VIEW FD

ROUTE CAMERA CABLE
ALONG WITH 12V WIRING
TO SLIDEOUT ROOM

COVER
154189-07-CHT
SCREW
667-10-08U (3)

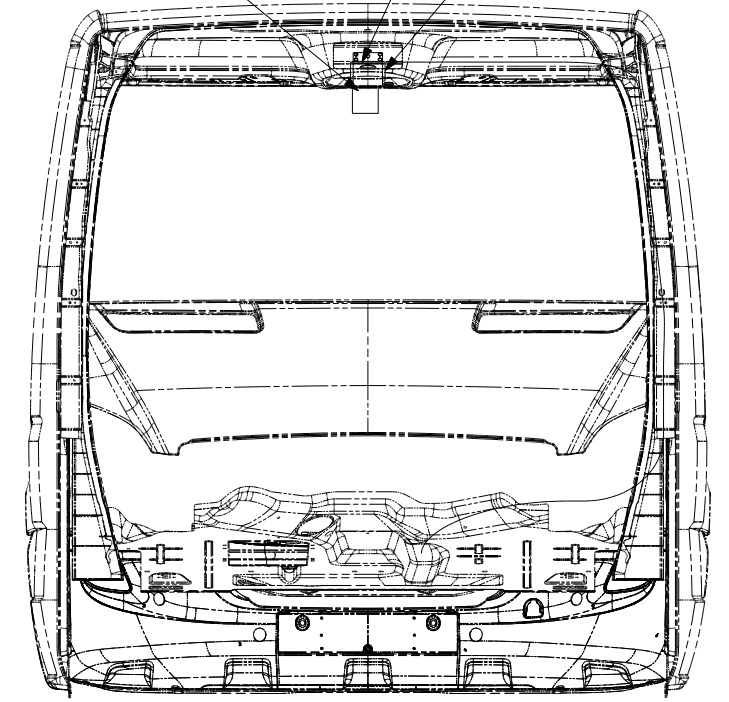
ROUTE CAMERA CABLE
THROUGH FLOOR
IN THIS AREA

2 3 5 74J

TELEVISION SYST-REAR VIEW
136514-07-000
GROMMET
71015-22-000

BRACKET-MONITOR
153383-02-CHT
SCREW
639-10-12U (4)

1H4 6



VIEW FB

- NOTES:
- 6 USE HOLE IN CENTER OF CAB WINDSHIELD HEADER AND HOLE IN CENTER OF BRACKET TO LOCATE THE POSITION OF MONITOR BRACKET.
 - 5 CONNECT REAR MONITOR CABLE TO A/VI WIRE IN ADAPTER BOX.
 - 4 MOUNT ADAPTER BOX BEHIND TRIM PANEL WITH FASTENER-DUAL LOCK 85774-01-000 (100MM) & 85774-02-000 (100MM).
 - 3 PLUG 3 PIN POWER HARNESS AND REAR MONITOR CABLE INTO REAR MONITOR ASSEMBLY.
 - 2 USE SCREWS SUPPLIED WITH TELEVISION SYSTEM TO MOUNT MONITOR TO HEADLINER.
 - 1 END CABLE IN THIS AREA ON UNITS WITHOUT MONITOR WITH 1H4

- 74J REARVIEW MONITOR SYS W/AUDIO
- 1H4 REARVIEW MONITOR-WIRE PREP
- 265 CODES/STANDARDS-CSA/CMVSS
- 1B1 CODES/STANDARDS USA

1B1 265 524DL

FIRST USED	08 500-SERIES
TITLE	DO NOT SCALE DRAWING
	MONITOR INSTL
SHEET 6	PART NO 160332 REV

FOR ELECTRICAL
TORQUE
SPECIFICATIONS
SEE DWG NO.
128783-01-000

FOR ELECTRICAL
CALLOUTS
SEE DWG NO.
121339-01-000

