



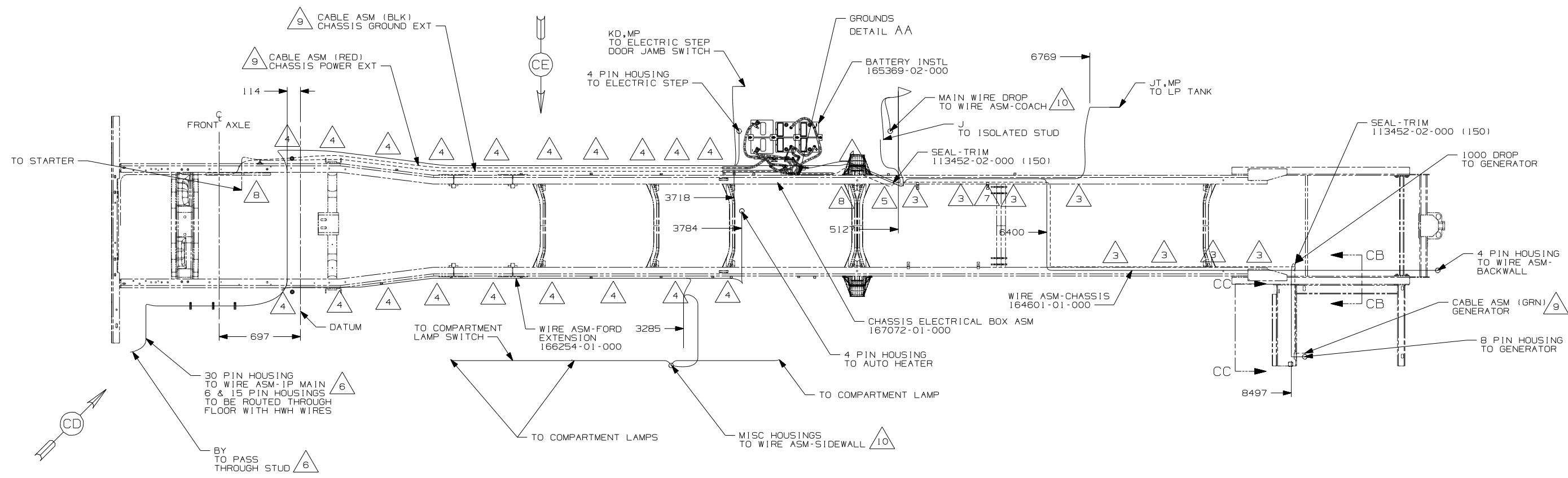
**DANGER**

**Danger of electrical shock, burns or death.** Always remove all power sources before attempting any repair, service or diagnostic work. Power can be present from shore power, generator, inverter or battery. All power sources must be disabled and secured before performing any service.



**CAUTION**

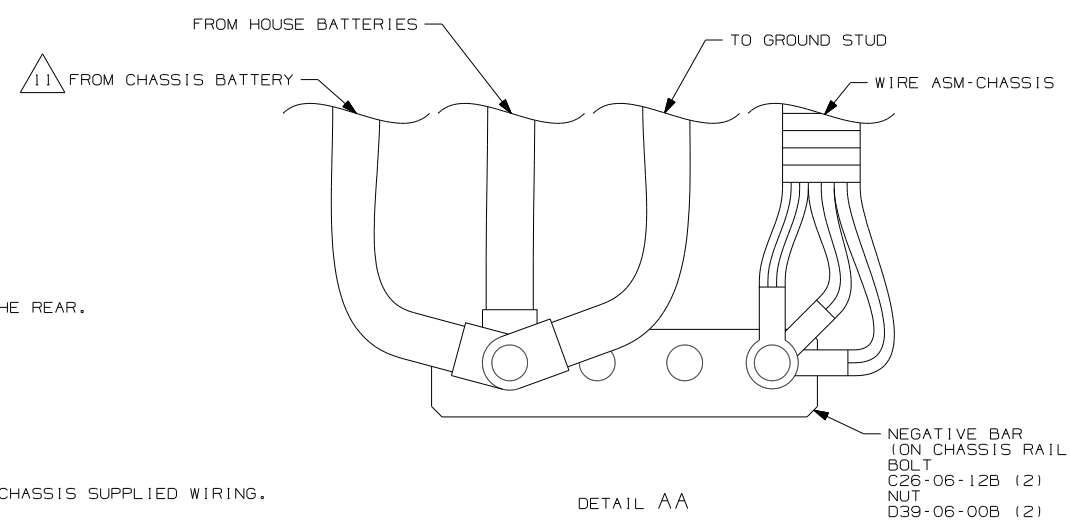
If you lack the skills, tools or equipment to perform diagnostic or repair work leave such work to an authorized Winnebago Industries dealer or other qualified shop.



- 11** ROUTE WIRES & CABLE THRU PROTECTOR IN WHEEL WELL AT THIS POINT.
- 10** SEE WIRE ASM-CHASSIS FOR ADDITIONAL INFORMATION.
- 9** SEE BATTERY INSTALLATION FOR ADDITIONAL INFORMATION.
- 8** SECURE SO WIRES DO NOT CONTACT EXHAUST.
- 7** ROUTE WIRES & CABLE OVER SPRING HANGER AT THIS POINT.
- 6** SEE WIRING INSTL-FRONT END FOR ADDITIONAL INFORMATION.
- 5** ROUTE WIRES & CABLE INSIDE CHASSIS RAIL AT THIS POINT AND TO THE REAR.
- 4** CLAMP 83610-03-000, SCREW G39-08-12B.
- 3** CLAMP 83610-01-000, SCREW G39-08-12B.

2. SECURE CONDUIT 41953-09, -10, -11, -13, AND -14 OVER ALL WIRES IN CONTACT WITH SHARP EDGES.

1. LEGEND: \_\_\_\_\_ WINNEBAGO; - - - - - CABLE; - - - - - CHASSIS SUPPLIED WIRING.

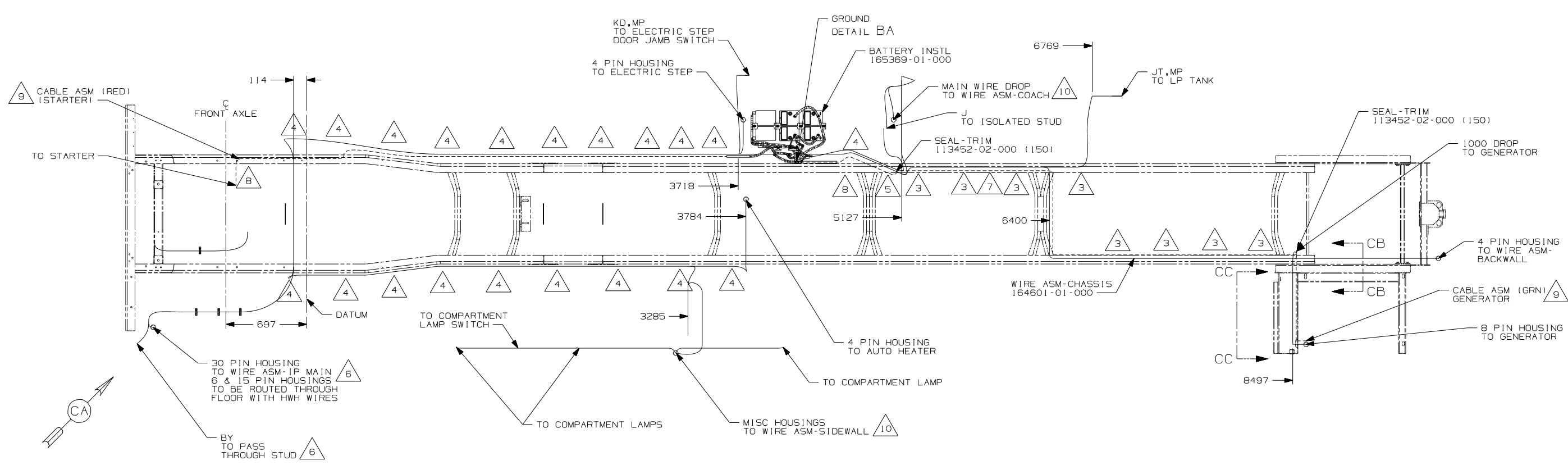


FOR ELECTRICAL TORQUE SPECIFICATIONS SEE DWG NO. 128783-01-000

FOR ELECTRICAL CALLOUTS SEE DWG NO. 121339-01-000

- 16Z** FORD 24,000#-22.5 ALUM WHEEL
- 265** CODES/STANDARDS-CSA/CMVSS
- 1B1** CODES/STANDARDS USA
- 1B1 265 16Z**

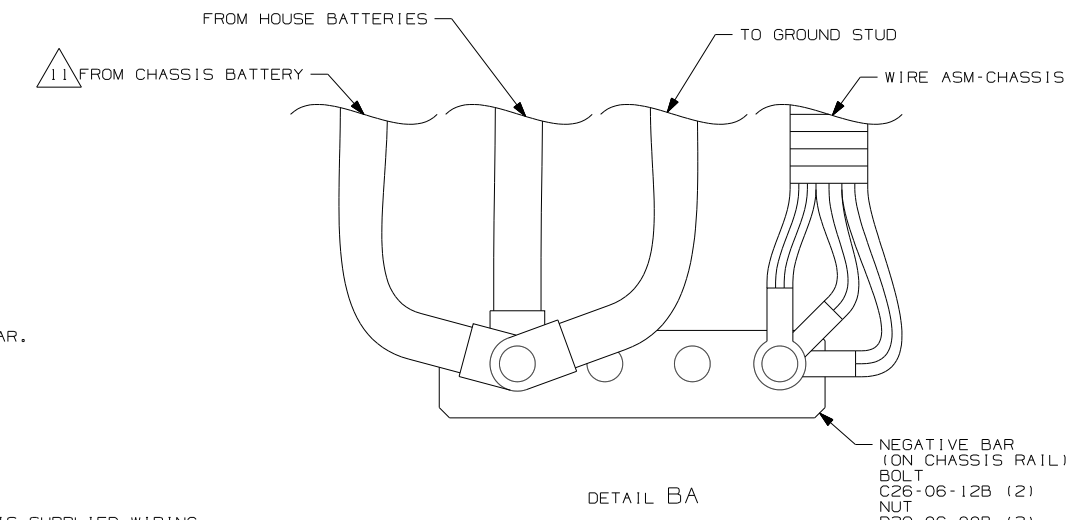
<b>WINNEBAGO</b>		COPYRIGHT 2006 WINNEBAGO INDUSTRIES, INC.	
DFT	ORIG. DATE	ALL DIMENSIONS ARE IN MILLIMETERS	
CHKR		FIRST USED	
P.E.		08 F38J	
M.E.		UNSPECIFIED TOLERANCES ARE:	
DSNR		MATERIAL:	
		WHOLE DIM (X)	: 3
		ONE-PLACE (X.X)	: 1.5
		TWO-PLACE (X.XX)	: 0.50
		ANGLE	: 1°
		THIRD ANGLE PROJECTION	
<b>DO NOT SCALE DRAWING</b>			
TITLE: <b>WIRING INSTL-CHASSIS</b>			
SHEET 1 OF 3	PART NO	164580	REV
REF:	1 12/4/2007		



- △ 11 ROUTE WIRES & CABLE THRU PROTECTOR IN WHEEL WELL AT THIS POINT.
- △ 10 SEE WIRE ASM-CHASSIS FOR ADDITIONAL INFORMATION.
- △ 9 SEE BATTERY INSTALLATION FOR ADDITIONAL INFORMATION.
- △ 8 SECURE SO WIRES DO NOT CONTACT EXHAUST.
- △ 7 ROUTE WIRES & CABLE OVER SPRING HANGER AT THIS POINT.
- △ 6 SEE WIRING INSTL-FRONT END FOR ADDITIONAL INFORMATION.
- △ 5 ROUTE WIRES & CABLE INSIDE CHASSIS RAIL AT THIS POINT AND TO THE REAR.
- △ 4 CLAMP 83610-03-000, SCREW G39-08-12B.
- △ 3 CLAMP 83610-01-000, SCREW G39-08-12B.

2. SECURE CONDUIT 41953-09, -10, -11, -13, AND -14 OVER ALL WIRES IN CONTACT WITH SHARP EDGES.

1. LEGEND: ——— WINNEBAGO: - - - - - CABLE: - - - - - CHASSIS SUPPLIED WIRING.

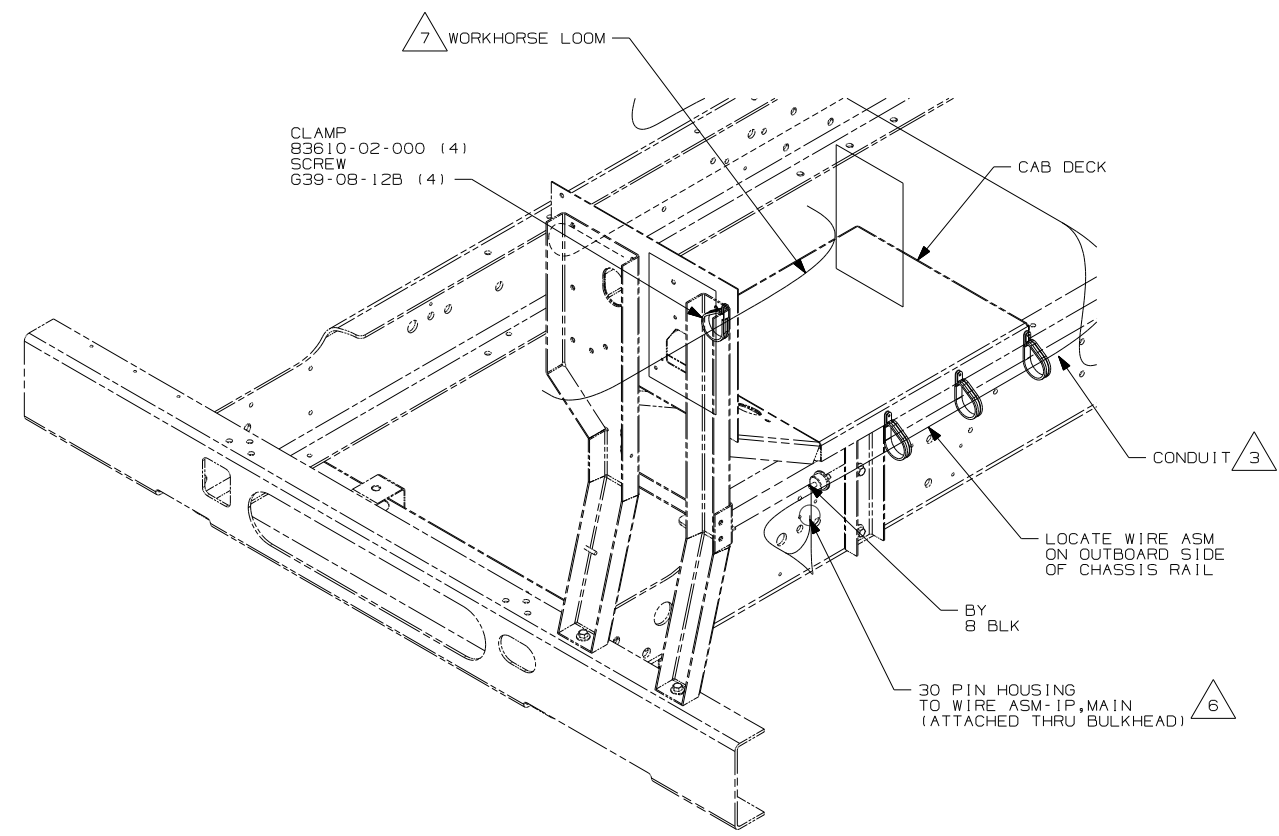


FOR ELECTRICAL TORQUE SPECIFICATIONS SEE DWG NO. 128783-01-000

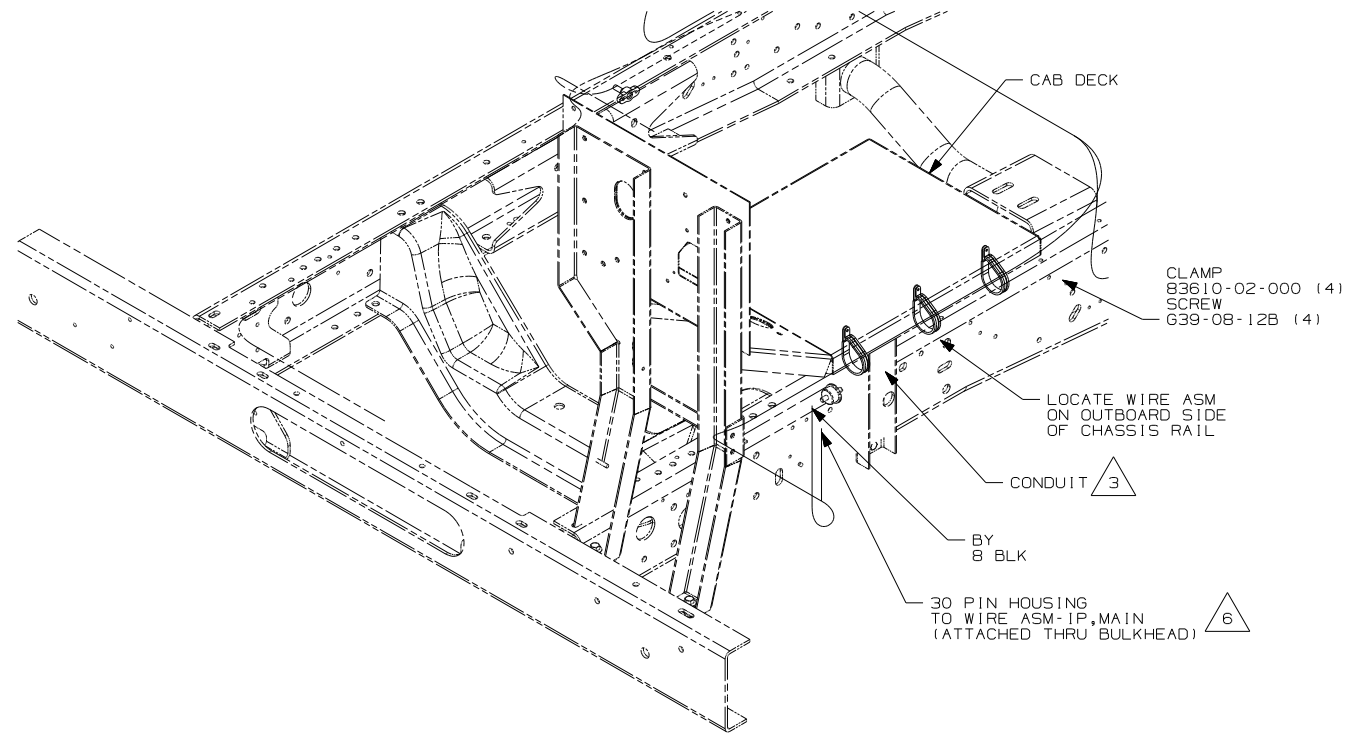
FOR ELECTRICAL CALLOUTS SEE DWG NO. 121339-01-000

- IPV WORKHORSE 24,000#-22.5 TIRE
- 265 CODES/STANDARDS-CSA/CMVSS
- 1B1 CODES/STANDARDS USA

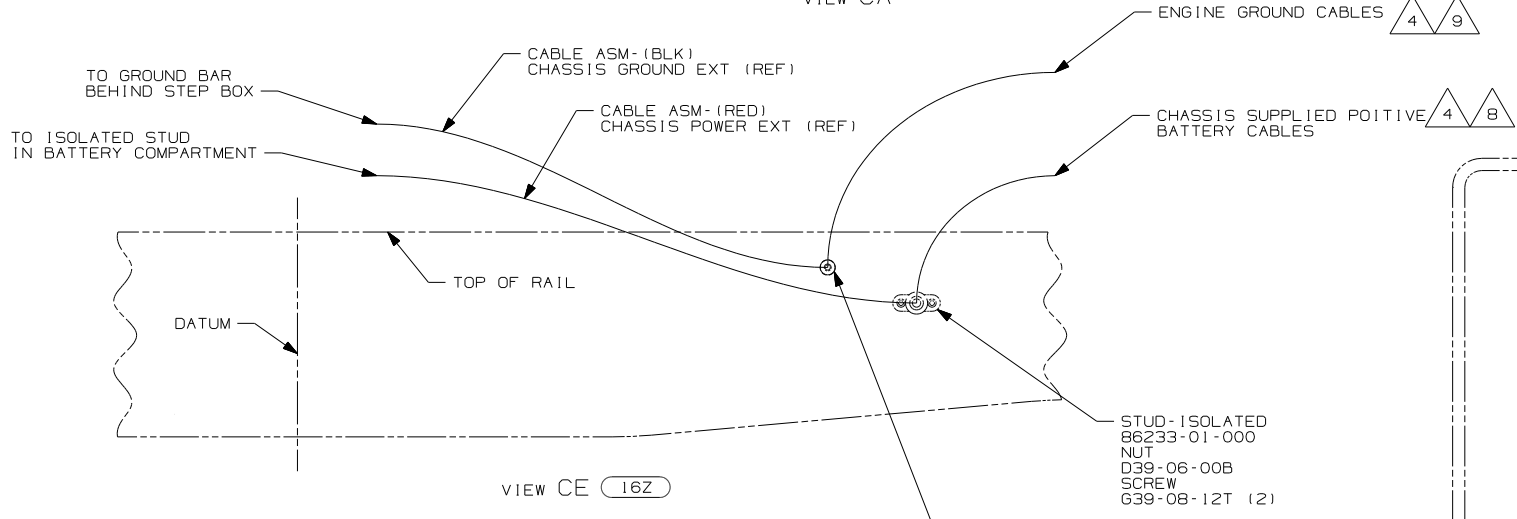
FIRST USED	08 F38J	
TITLE:	DO NOT SCALE DRAWING	
	WIRING INSTL-CHASSIS	
SHEET 2	PART NO	REV
	164580	



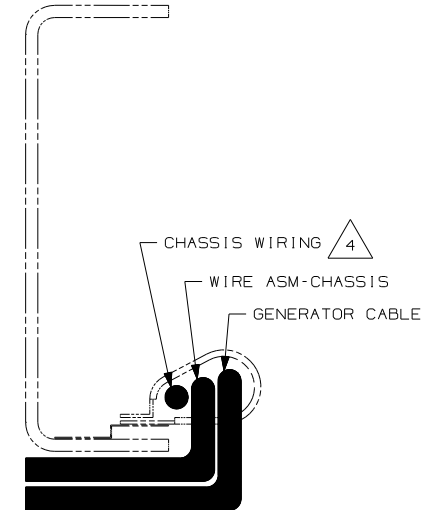
VIEW CA



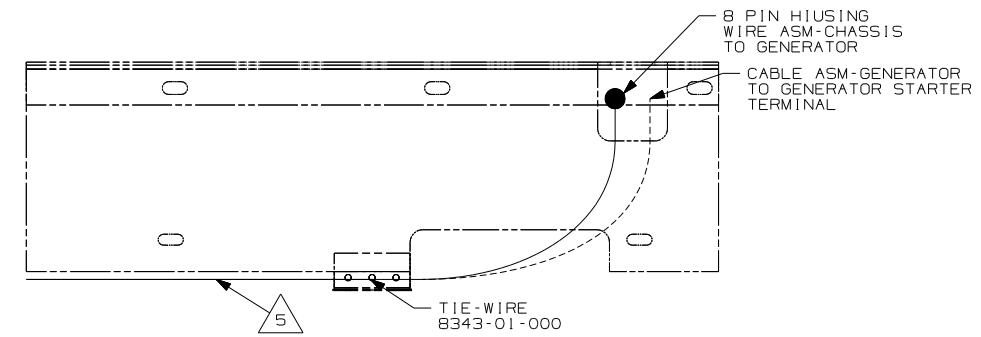
VIEW CD 16Z



VIEW CE 16Z



VIEW CB-CB



VIEW CC-CC

- 7 CLAMP WORKHORSE ENGINE HARNESS TO CAB DECK TO PROTECT HARNESS FROM DAMAGE.
- 6 SEE WIRING INSTL-FRONT END FOR ADDITIONAL INFORMATION.
- 5 SECURE SO WIRES DO NOT CONTACT EXHAUST.
- 4 SUPPLIED WITH CHASSIS.
- 3 COVER WITH CONDUIT 41953-10-000 AND 41953-11-000 AS REQUIRED.

- 9 CUT CHASSIS SUPPLIED BATTERY CABLE 700MM FROM BATTERY AND ADD TERMINAL 8343-01-000 TO CUT END.
- 8 CUT CHASSIS SUPPLIED POSITIVE BATTERY CABLE 150MM FROM BATTERY TERMINALEND, DISCARD TERMINAL END TERMINAL 113738-01-000 TO CUT END, COIL EXCESS CABLE ALONG FRAME RAIL JUST BEHIND THE RADIATOR AND TIE UP WITH WIRE TIE 8343-04-000

2. SECURE CONDUIT 41953, TAB AS REQUIRED, OVER ALL WIRES IN CONTACT WITH SHARP EDGES.

1. LEGEND: — WINNEBAGO: - - - - - CABLE: - - - - - CHASSIS SUPPLIED WIRING.

NOTES:

FOR ELECTRICAL TORQUE SPECIFICATIONS SEE DWG NO. 128783-01-000

FOR ELECTRICAL CALLOUTS SEE DWG NO. 121339-01-000

- 16Z FORD 24,000#-22.5 ALUM WHEEL
- 1PV WORKHORSE 24,000#-22.5 TIRE
- 265 CODES/STANDARDS-CSA/CMVSS
- 1B1 CODES/STANDARDS USA

FIRST USED	08 F38J
TITLE:	DO NOT SCALE DRAWING
WIRING INSTL-CHASSIS	
SHEET 3	PART NO 164580 REV