



DANGER

Danger of electrical shock, burns or death. Always remove all power sources before attempting any repair, service or diagnostic work. Power can be present from shore power, generator, inverter or battery. All power sources must be disabled and secured before performing any service.

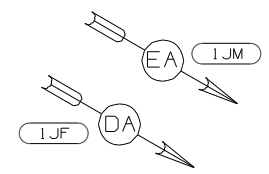


CAUTION

If you lack the skills, tools or equipment to perform diagnostic or repair work leave such work to an authorized Winnebago Industries dealer or other qualified shop.

DRAWING NO.	MODEL	SHT
160323-01	200 SER	1,4,5
160323-02	300 SER	2,7
160323-03	700 SER	3,6,8

RELEASE	REV DATE	DWG NO
	A	160323
REV ZONE	REVISION RECORD	DATE
		DFTR-ORIG



- CONTROLLER 156676-01-000
- BOX 133070-01-000
- 1B1 133070-02-000
- 265 SCREW G13-07-12B(4)
- CONNECTOR 58028-01-000(13)
- DETAIL AA

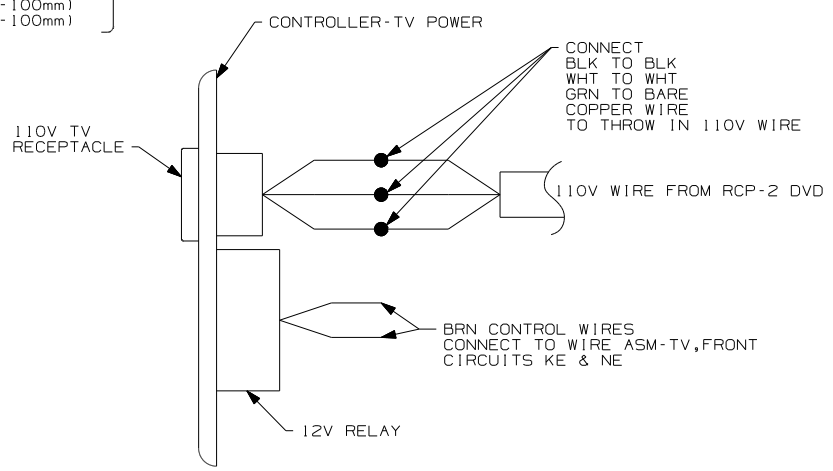
- HOME THEATER 164270-01-000
- WIRE ASM-JUMPER 153349-05-000
- 1JM FASTENER DUAL-LOCK 85774-01-000(2-300mm)
- 85774-02-000(2-300mm)
- DVD 164584-01-000
- 25F FASTENER DUAL-LOCK 85774-01-000(2-100mm)
- 85774-02-000(2-100mm)

- PLATE-SAT PREP 149557-05-CHT
- SCREW 667-10-08U (2)

- RCP-2 (BRN) DVD (DET AB)
- LABEL 158542-02-CHT 265
- 6

- CONTROL CENTER-SWITCHING 142258-01-000
- FASTENER DUAL-LOCK 85774-01-000(2-100mm)
- 85774-02-000(2-100mm)
- 1LI

- WIRE ASM-TV,FRONT 164603-01-000



- 1JF HOME THEATER SYS-WITHOUT
- 1JM HOME THEATER SOUND SYSTEM
- 1LI TV-27" W/VIDEO SELECTION SYS
- 25F DIGITAL VIDEO DISC PLAYER
- 265 CODES/STANDARDS-CSA/CMVSS
- 265 CODES/STANDARDS-CSA/CMVSS
- 1B1 CODES/STANDARDS USA

1B1 265 200 SERIES



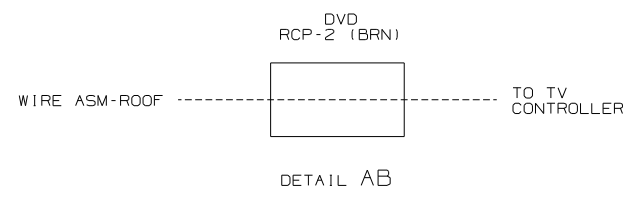
DFTR	ORIG. DATE
CHKR	ALL DIMENSIONS ARE IN MILLIMETERS
P.E.	
M.E.	FIRST USED
DSNR	08 200/300/700 SER

UNSPECIFIED TOLERANCES ARE:	MATERIAL:
WHOLE DIM (X) :	
ONE-PLACE (X.X) :	
TWO-PLACE (X.XX) :	
ANGLE :	
THIRD ANGLE PROJECTION	

DO NOT SCALE DRAWING	
TITLE: WIRING INSTL-TV/DVD,FRONT	
SHEET 1 OF 8	PART NO 160323
REF:	1 10/11/2007

- 7 WIRES PART OF WIRE ASM-ROOF.
- 6 WITH 1JF AND WITHOUT 25F
- 5. ALL WIRES TO BE SECURED WITH CLAMP 10495-01-000 OR CLIP 80734-01-000 EVERY 600MM. USE SCREW G67-10-12B UNLESS OTHERWISE SPECIFIED.
- 4. 110V WIRE TO BE CLAMPED WITH CLAMP 10497-05-000 WITHIN 200mm OF OUTLET BOXES. USE SCREW G67-10-12B.
- 3. SEE SHT 8 FOR COAX DETAILS.
- 2. SEE SHT 8 FOR 110V AND 12V DETAILS.
- 1. SEE WIRING INSTL-BODY, 12V & 110V FOR ADDITIONAL INFORMATION.

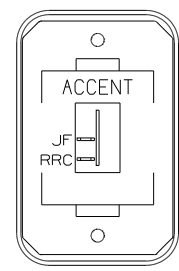
NOTES:



DETAIL AA (SHOWN FROM THE SIDE)

FOR ELECTRICAL TORQUE SPECIFICATIONS SEE DWG NO. 128783-01-000

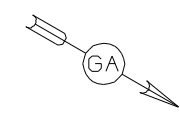
X-X FOR ELECTRICAL CALLOUTS SEE DWG NO. 121339-01-000



SWITCH-ROCKER
135740-01-CHT
SWITCH-BASE
135741-01-CHT
SWITCH-BEZEL
135742-50-CHT
SCREW
G11-08-08U (2)

DETAIL BD

CONTROLLER
156678-01-000
BOX
1B1 → 133070-01-000
265 → 133070-02-000
SCREW
613-07-12B (4)
CONNECTOR
58028-01-000 (3)
DETAIL BC



110V WIRE
FROM ROOF

CONNECTS TO WIRE ASM-ROOF

WIRE ASM-TV, FRONT
CONNECTS TO ROPE LAMP
IN THIS AREA (2 PLACES)

WIRE ASM-JUMPER, SPEAKER
153349-08-000

WIRE ASM-TV, FRONT
158027-01-000

PLATE-SAT PREP
149557-05-CHT
SCREW
G67-10-08U

FASTENER DUAL-LOCK
85774-01-000 (2-200MM)
(FASTEN TO CARPET)

20 (2)

76

76

DVD PLAYER
(REF)

DETAIL BA

LAMP-ROPE
160259-01-066
(CUT LENGTH OF 66 INCHES)



FASTENER DUAL-LOCK
85774-01-000 (2-100MM)
85774-02-000 (2-100MM)

13 (2)

43

43

SWITCH-VIDEO
(REF)

DETAIL BB

SWITCH-VIDEO
142258-01-000
DETAIL BB

RCP-2
DVD
LABEL
158542-02-CHT 265

TV-27"
146298-02-000

HOME THEATER
164270-01-000
DETAIL BA

LAMP-ROPE
160259-01-066
(CUT LENGTH OF 66 INCHES)



110V TV
RECEPTACLE

CONTROLLER-TV POWER

CONNECT
BLK TO BLK
WHT TO WHT
GRN TO BARE
COPPER WIRE
TO THROW IN 110V WIRE

110V WIRE FROM
RCP-2 DVD

BRN CONTROL WIRES
CONNECT TO WIRE ASM-TV, FRONT
CIRCUITS KE & NF

12V RELAY

DETAIL BC
(SHOWN FROM
THE SIDE)

1L9 ENTERTAINMENT CENTER-CABOVER
265 CODES/STANDARDS-CSA/CMVSS
1B1 CODES/STANDARDS USA

1B1 265 1L9

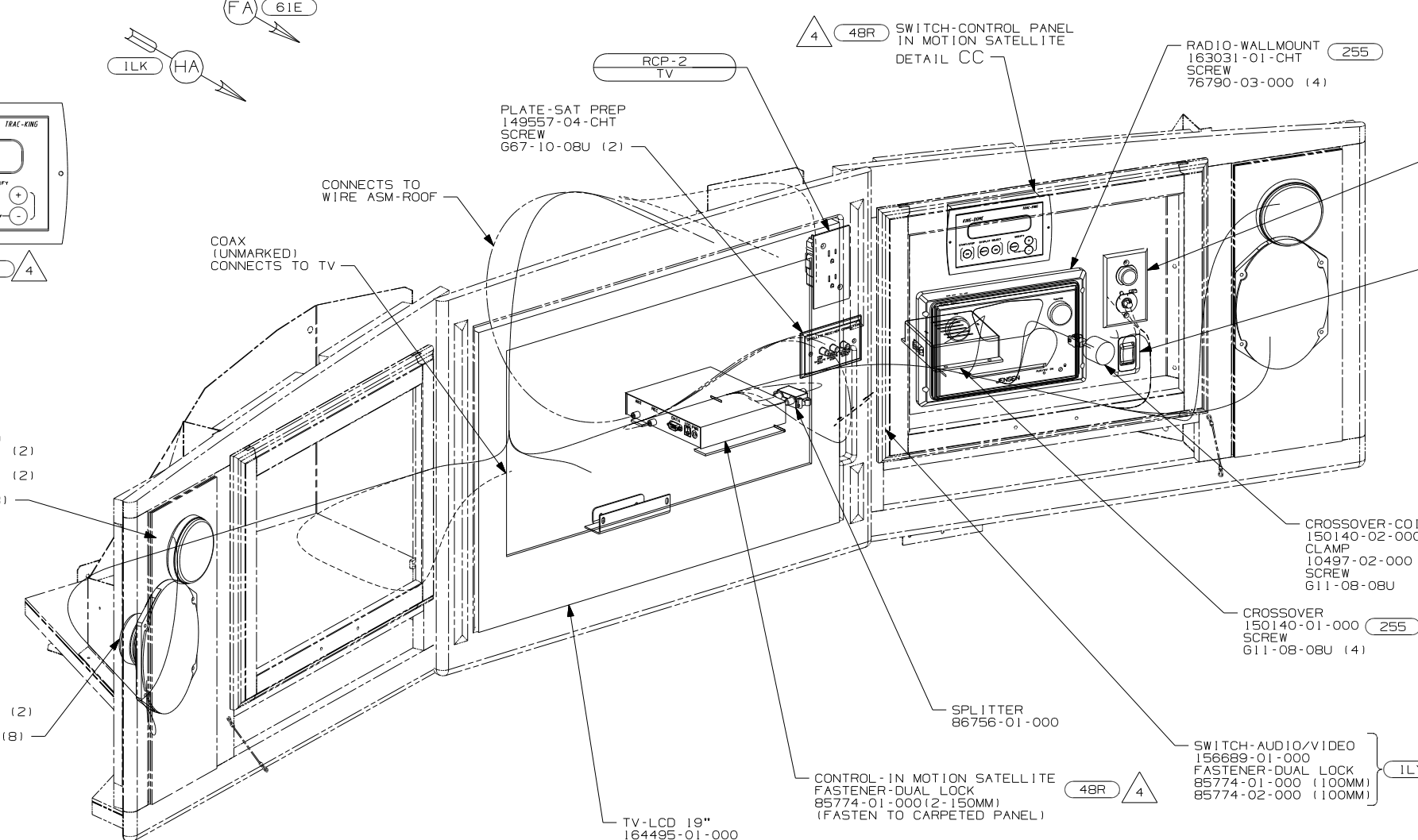
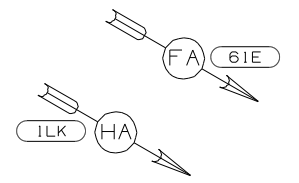
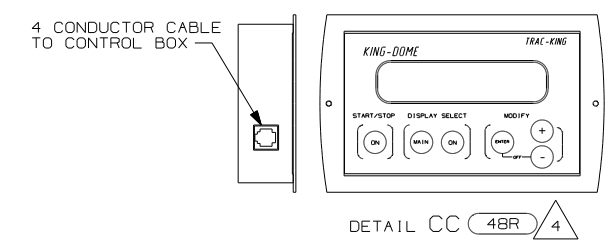
FIRST USED	
08 300-SERIES	
DO NOT SCALE DRAWING	
TITLE: WIRING INSTL-TV/DVD, FRONT	
SHEET 2	PART NO 160323
REV	

FOR ELECTRICAL
TORQUE
SPECIFICATIONS
SEE DWG NO.
128783-01-000



FOR
ELECTRICAL
CALLOUTS
SEE DWG NO.
121339-01-000

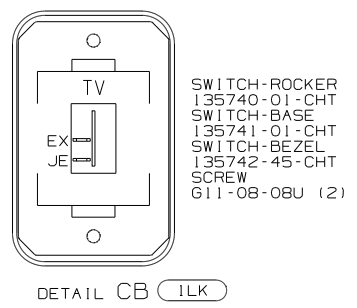
NOTES:
1 STAPLE ROPE LAMP TO CABINET EVERY 150MM SO THAT
THE ROPE LAMP FOLLOWS THE CONTOUR OF THE CABINET.



- 255 SPEAKER-ROUND 160868-01-CHT (2)
- GRILLE 160868-02-CHT (2)
- SCREW 611-08-08B (8)

- 571 SPEAKER 110465-01-000 (2)
- SCREW 49465-03-CHT (8)

- ILK TV-LCD 19" 164495-01-000
- WASHER E11-10-00B (4)
- TV-LCD 26" 166446-01-000
- SCREW OMC04K-05-016 (4) (MAIN TV SUPPORT)
- SCREW OMG02B-01-016 (2) (LOWER TV SUPPORT)
- WASHER E11-10-00B (6)
- 61E



- SWITCH-ROCKER 135740-01-CHT
- SWITCH-BASE 135741-01-CHT
- SWITCH-BEZEL 135742-45-CHT
- SCREW 611-08-08U (2)

- 1LY TV-15" CLR,LCD,REMOTE,REAR
- 48R SAT SYS IN-MOTION W/O RCVR
- 61E TV(FRONT) -26" COLOR STEREO
- 255 RADIO/AM/FM/CD/DVD PLAYER
- 571 RADIO SPEAKERS
- 1LK TV-19"DC,COLOR,LCD W/REMOTE

- 4 PARTS ARE SUPPLIED WITH SATELLITE KIT 154474-02-000.
- 3 USED ON 729H ONLY.

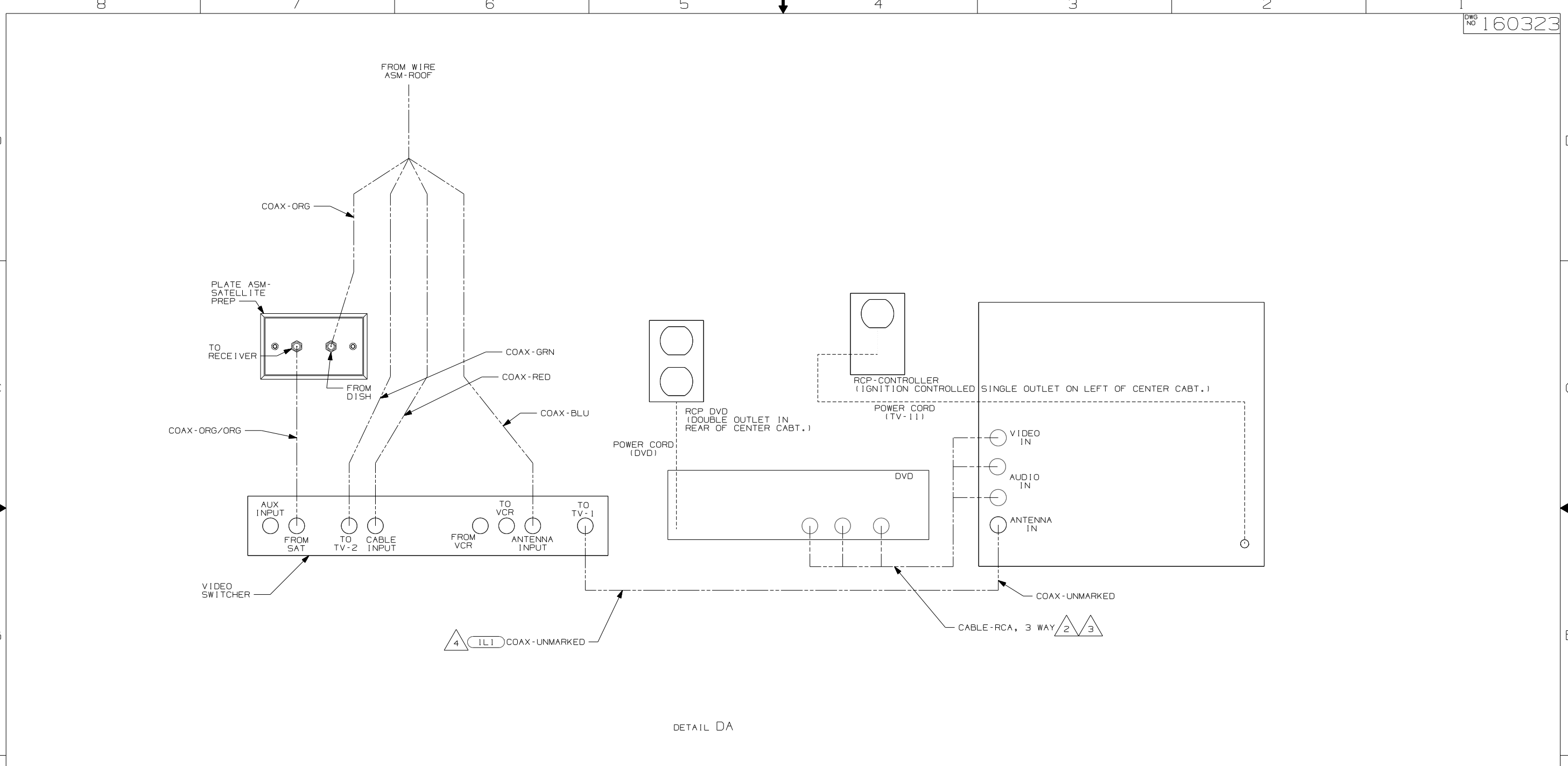
- 2. SEE SHT 6 FOR 110V, 12V AND COAX DETAIL.
- 1. SEE WIRING INSTL-BODY, 12 & 110V FOR ADDITIONAL INFORMATION.

NOTES:

FOR ELECTRICAL TORQUE SPECIFICATIONS SEE DWG NO. 128783-01-000

X-X FOR ELECTRICAL CALLOUTS SEE DWG NO. 121339-01-000

FIRST USED	
08 700-SERIES	
DO NOT SCALE DRAWING	
TITLE: WIRING INSTL-TV/DVD,FRONT	
SHEET 3	PART NO 160323 REV



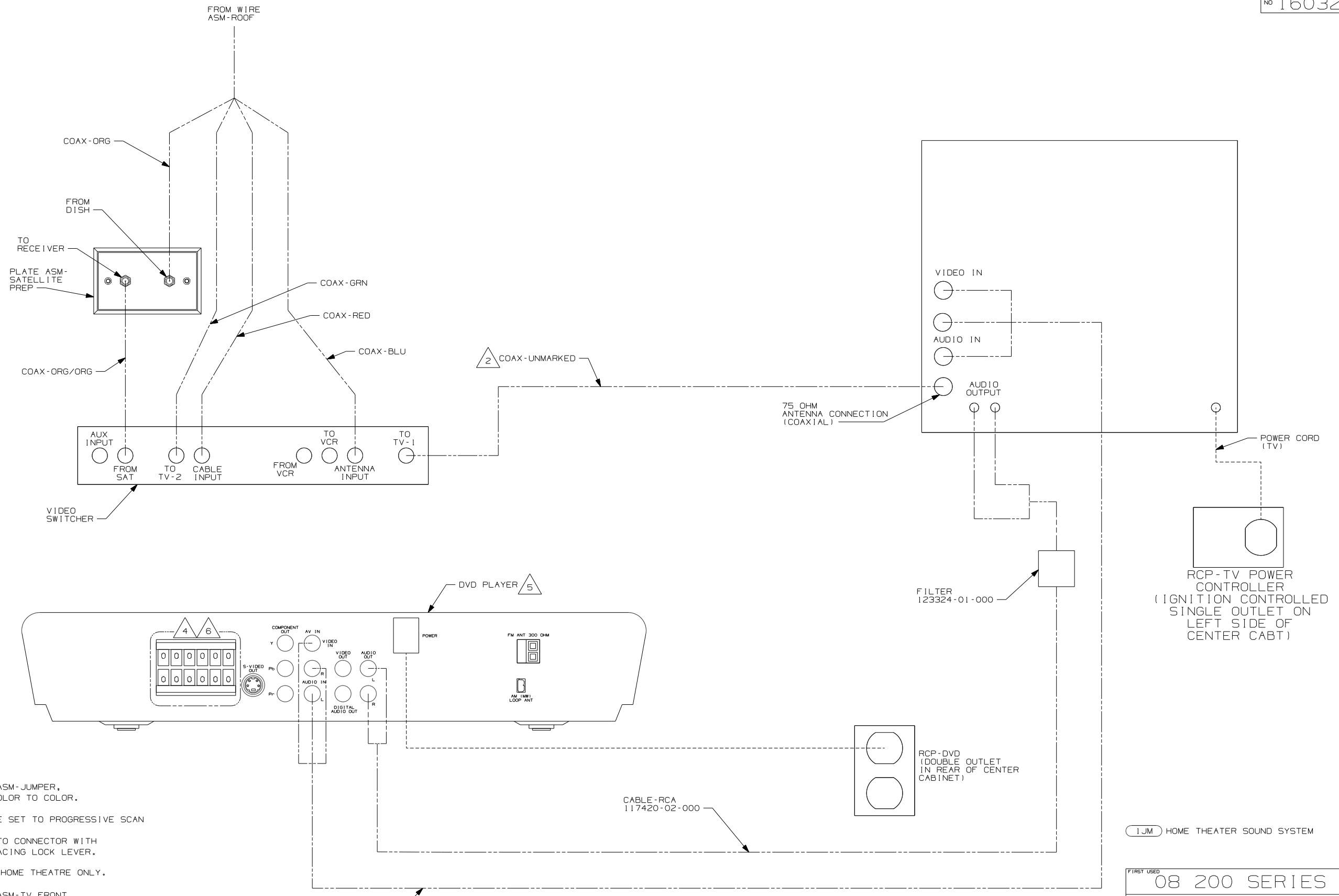
DETAIL DA

5. ALL CONNECTIONS ARE SHOWN FROM BACKSIDE OF COMPONENTS.
- 4 COAX IS FROM WIRE ASM-TV, FRONT.
- 3 CABLE IS ONLY USED WITH (25F). WITHOUT (25F) TAPE BACK TO HARNESS.
- 2 SUPPLIED WITH DVD
1. SEE WIRING INSTL-BODY, 12V FOR ADDITIONAL INFORMATION.

NOTES:

- (25F) DIGITAL VIDEO DISC PLAYER
- (IL1) TV-27" W/VIDEO SELECTION SYS
- (265) CODES/STANDARDS-CSA/CMVSS
- (1B1) CODES/STANDARDS-USA

FIRST USED	
08 200-SERIES	
DO NOT SCALE DRAWING	
TITLE:	
WIRING INSTL-TV/DVD, FRONT	
SHEET 4	PART NO 160323 REV



- △6 AUDIO OUT TO WIRE ASM-JUMPER, SPEAKER, CONNECT COLOR TO COLOR.
- △5 DVD PLAYER IS TO BE SET TO PROGRESSIVE SCAN
- △4 INSERT WIRE PIN INTO CONNECTOR WITH SEAM ON TERMINAL FACING LOCK LEVER.
- △3 CABLE IS USED WITH HOME THEATRE ONLY.
- △2 COAX IS FROM WIRE ASM-TV,FRONT.

1. ALL CONNECTIONS ARE SHOWN FROM BACKSIDE OF COMPONENTS.

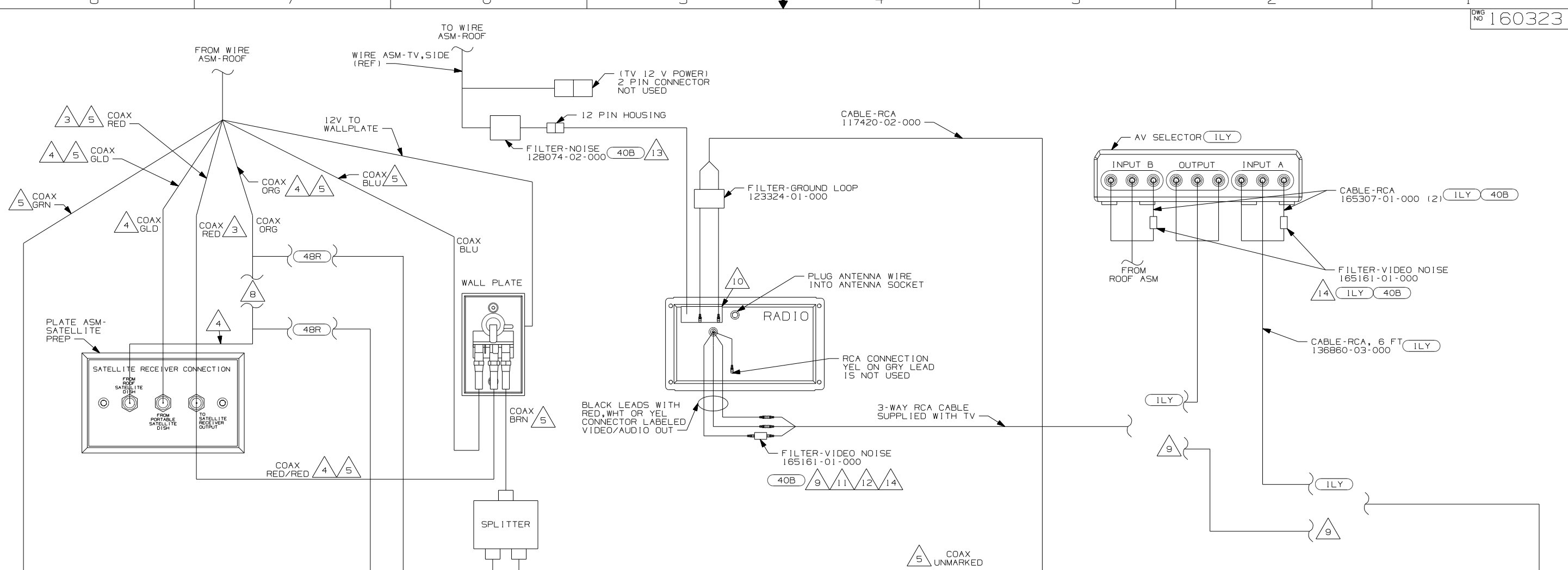
NOTES:

△3 CABLE RCA, 3 WAY 136860-03-000

DETAIL EA IJM

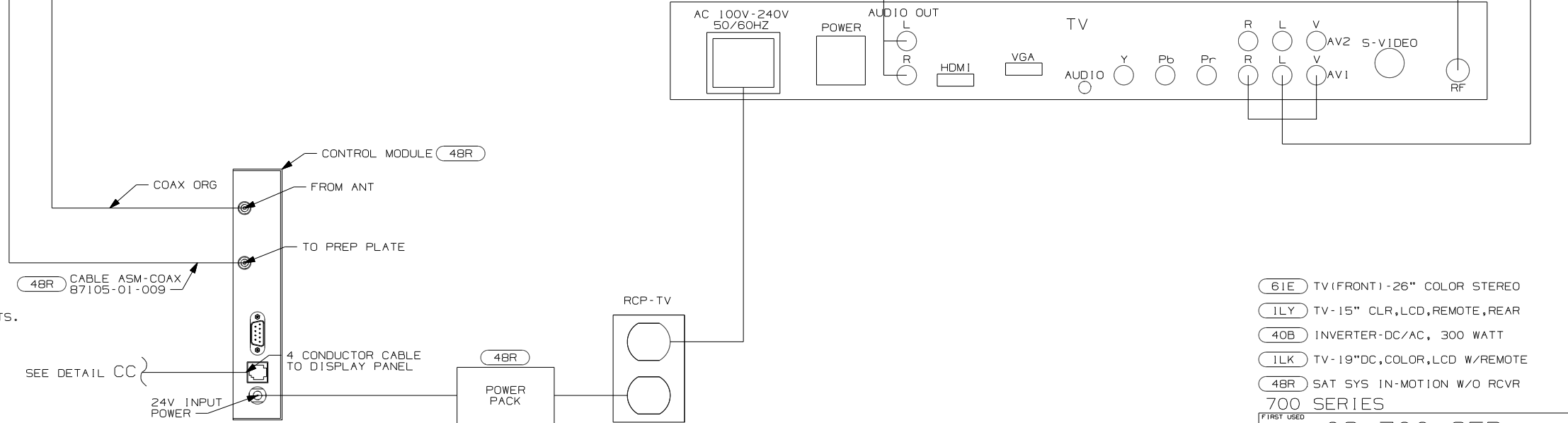
IJM HOME THEATER SOUND SYSTEM

FIRST USED	
08 200 SERIES	
DO NOT SCALE DRAWING	
TITLE:	
WIRING INSTL-TV/DVD,FRONT	
SHEET 5	PART NO 160323 REV



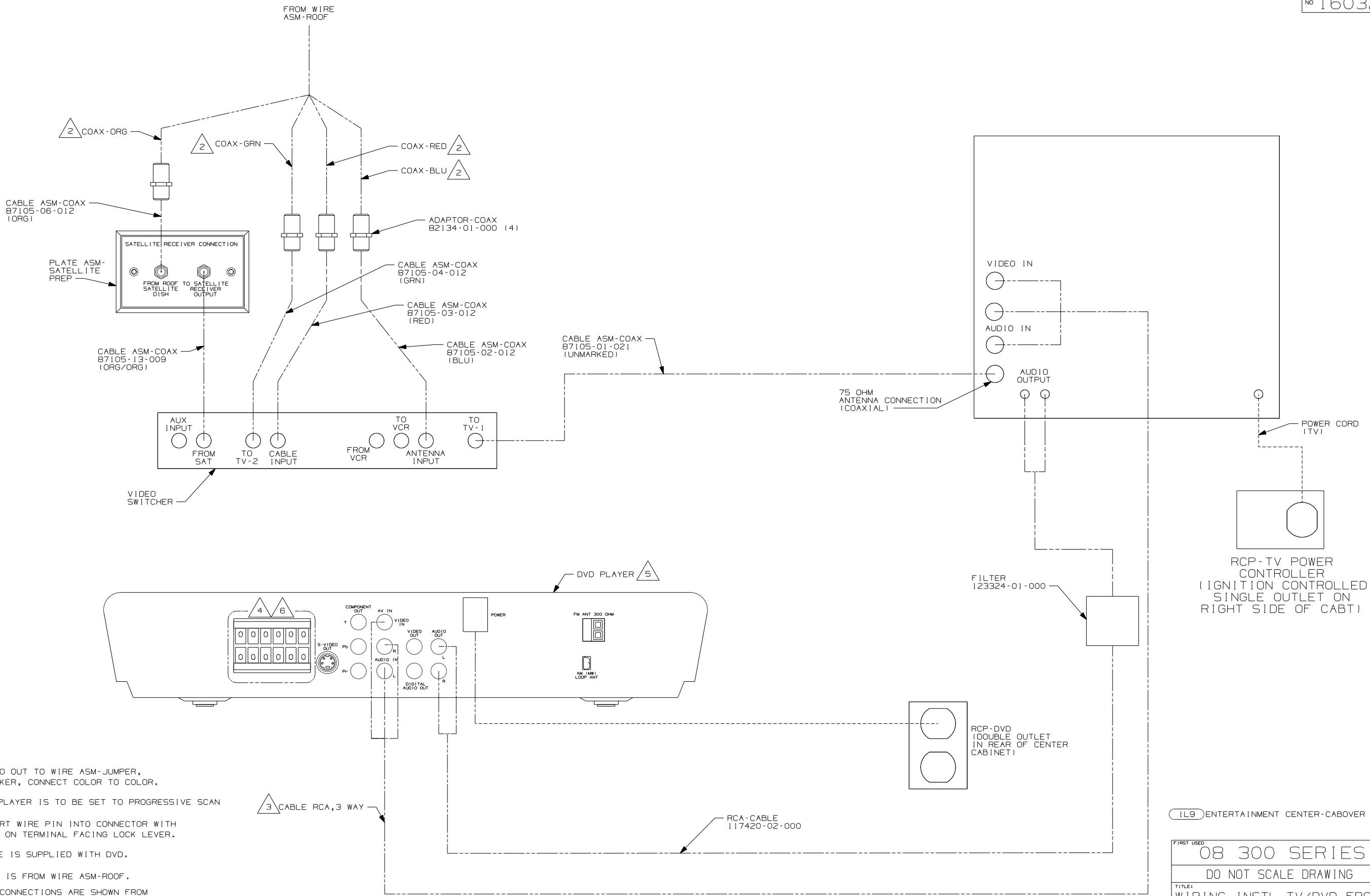
- 14 WITH THE ILY OPTION, CONNECT THE VIDEO NOISE FILTER IN LINE BETWEEN THE RADIO YELLOW RCA CABLE AND THE RCA CABLE EXTENSION 165307-01-000.
 - 13 PLUG THE TWO 2-PIN HOUSINGS TOGETHER WHEN THE FILTER IS NOT USED.
 - 12 WRAP BOTH ENDS OF FILTER CONNECTIONS WITH TAPE 8363-01-000 TO SECURE FILTER TO WIRE ASM.
 - 11 CONNECTS IN-LINE OF YELLOW VIDEO CABLE.
 - 10 CONNECT CABLE-RCA TO RADIO 'AUX INPUT' CONNECTION.
 - 9 WITHOUT ILY
 - 8 WITHOUT 48R CABLE CONNECTS DIRECTLY TO SATELLITE PREP PLATE.
7. ALL CONNECTIONS ARE SHOWN FROM BACKSIDE OF COMPONENTS.
- 6 SUPPLIED WITH TV.
 - 5 COAX IS FROM WIRE ASM-ROOF.
 - 4 CONNECTS TO BACK SIDE OF PLATE.
 - 3 CONNECTS TO FRONT SIDE OF PLATE.
 - 2 RCA AV CABLE VENDOR PN 11234360, SUPPLIED WITH DVD PLAYER

NOTES:
1. SEE WIRING INSTL-BODY, 12V FOR ADDITIONAL INFORMATION.



61E	TV (FRONT) - 26" COLOR STEREO
ILY	TV - 15" CLR, LCD, REMOTE, REAR
40B	INVERTER-DC/AC, 300 WATT
ILK	TV - 19" DC, COLOR, LCD W/REMOTE
48R	SAT SYS IN-MOTION W/O RCVR
700 SERIES	
FIRST USED 08 700 SER	
DO NOT SCALE DRAWING	
TITLE: WIRING INSTL - TV/VCR, FRONT	
SHEET 6	PART NO 160323 REV

VIEW FA 61E

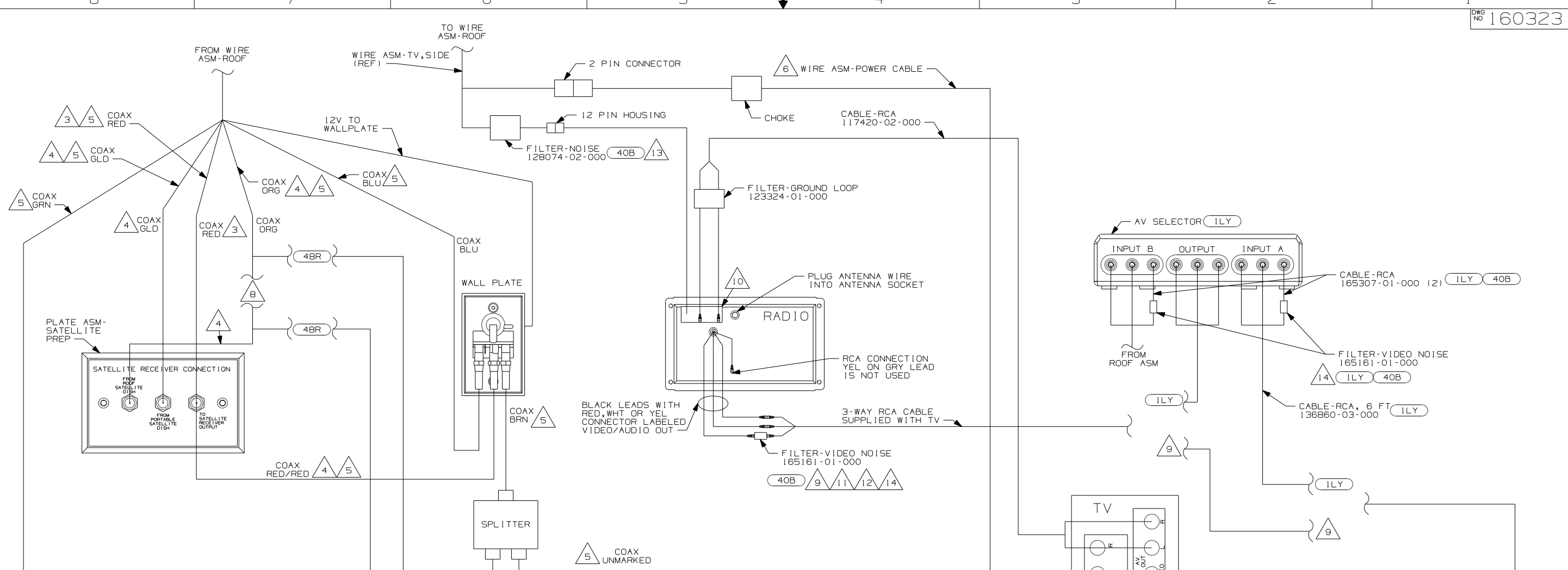


- △6 AUDIO OUT TO WIRE ASM-JUMPER, SPEAKER, CONNECT COLOR TO COLOR.
- △5 DVD PLAYER IS TO BE SET TO PROGRESSIVE SCAN
- △4 INSERT WIRE PIN INTO CONNECTOR WITH SEAM ON TERMINAL FACING LOCK LEVER.
- △3 CABLE IS SUPPLIED WITH DVD.
- △2 COAX IS FROM WIRE ASM-ROOF.

NOTES:
1. ALL CONNECTIONS ARE SHOWN FROM BACKSIDE OF COMPONENTS.

DETAIL GA (IL9)

FIRST USED		08 300 SERIES	
DO NOT SCALE DRAWING			
TITLE: WIRING INSTL - TV/DVD, FRONT			
SHEET 7	PART NO	160323	REV



- 14 WITH THE (ILY) OPTION, CONNECT THE VIDEO NOISE FILTER IN LINE BETWEEN THE RADIO YELLOW RCA CABLE AND THE RCA CABLE EXTENSION 165307-01-000.
- 13 PLUG THE TWO 2-PIN HOUSINGS TOGETHER WHEN THE FILTER IS NOT USED.
- 12 WRAP BOTH ENDS OF FILTER CONNECTIONS WITH TAPE 8363-01-000 TO SECURE FILTER TO WIRE ASM.
- 11 CONNECTS IN-LINE OF YELLOW VIDEO CABLE.
- 10 CONNECT CABLE-RCA TO RADIO 'AUX INPUT' CONNECTION.
- 9 WITHOUT (ILY)
- 8 WITHOUT (48R) CABLE CONNECTS DIRECTLY TO SATELLITE PREP PLATE.
- 7. ALL CONNECTIONS ARE SHOWN FROM BACKSIDE OF COMPONENTS.
- 6 SUPPLIED WITH TV.
- 5 COAX IS FROM WIRE ASM-ROOF.
- 4 CONNECTS TO BACK SIDE OF PLATE.
- 3 CONNECTS TO FRONT SIDE OF PLATE.
- 2 RCA AV CABLE VENDOR PN 11234360, SUPPLIED WITH DVD PLAYER

NOTES:
1. SEE WIRING INSTL-BODY, 12V FOR ADDITIONAL INFORMATION.

(ILY)	TV-15" CLR,LCD,REMOTE,REAR
(40B)	INVERTER-DC/AC, 300 WATT
(ILK)	TV-19"DC,COLOR,LCD W/REMOTE
(48R)	SAT SYS IN-MOTION W/O RCVR
700 SERIES	
FIRST USED	
08 700 SER	
DO NOT SCALE DRAWING	
TITLE:	
WIRING INSTL-TV/VCR,FRONT	
SHEET 8	PART NO 160323 REV

VIEW HA (ILK)