



**DANGER**

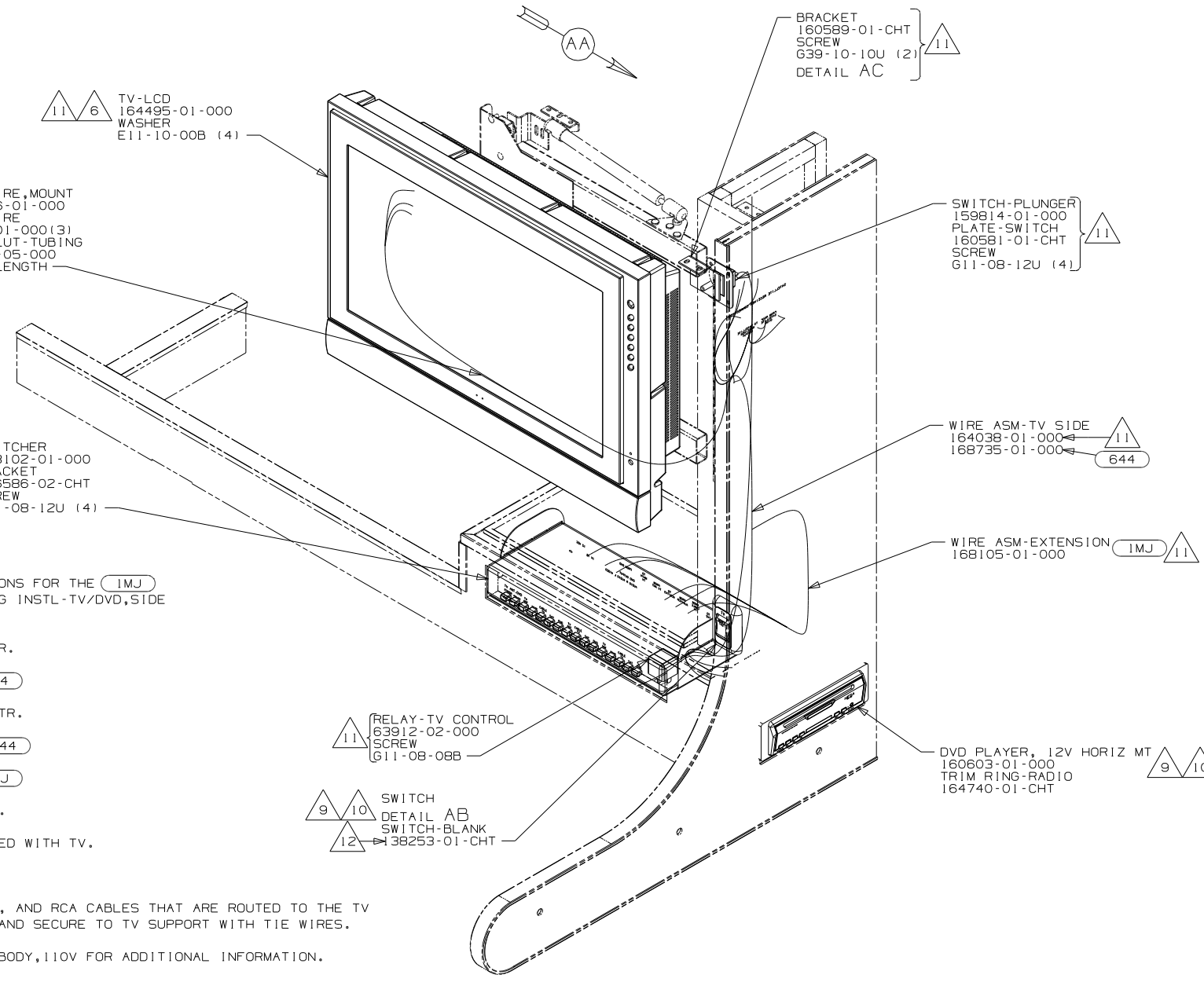
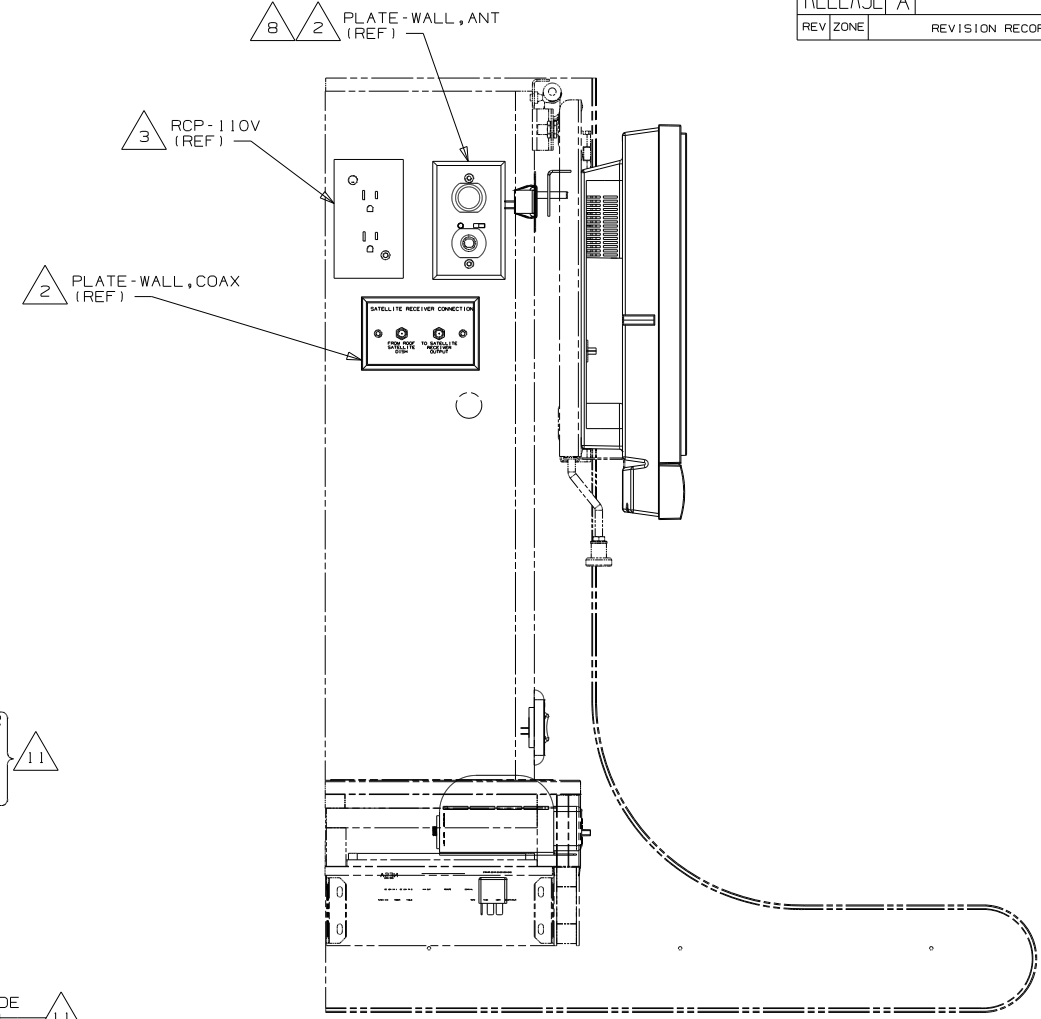
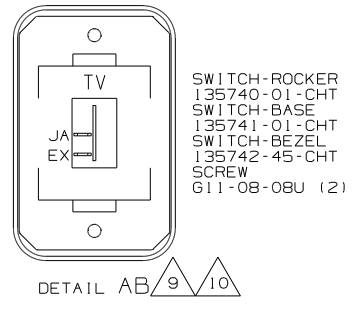
**Danger of electrical shock, burns or death.** Always remove all power sources before attempting any repair, service or diagnostic work. Power can be present from shore power, generator, inverter or battery. All power sources must be disabled and secured before performing any service.



**CAUTION**

If you lack the skills, tools or equipment to perform diagnostic or repair work leave such work to an authorized Winnebago Industries dealer or other qualified shop.

DRAWING NO.	MODELS	SHEETS
160324-01	200-SER	1,2
160324-02	-	3,4
160324-03	300-SER	5,6
160324-04	524H	7,8
160324-05	524J	9,10
160324-06	524B	11,12
160324-07	524CL	13,14
160324-08	524DL	15,16



- 13 FOR COAX CONNECTIONS FOR THE (IMJ) OPTION, SEE WIRING INSTL-TV/DVD,SIDE 166798, SHEET 2.
- 12 ONLY USED ON 229TR.
- 11 NOT USED WITH (644)
- 10 NOT USED WITH 229TR.
- 9 ALSO USED WITH (644)
- 8 NOT USED WITH (IMJ)
- 7 USED ONLY ON 231J.
- 6 USE SCREWS SUPPLIED WITH TV.
- 5 TAB 02 OBSOLETE.
- 4 COVER WIRES, COAX, AND RCA CABLES THAT ARE ROUTED TO THE TV CONVOLUTE TUBING AND SECURE TO TV SUPPORT WITH TIE WIRES.
- 3 SEE WIRING INSTL-BODY,110V FOR ADDITIONAL INFORMATION.
- 2 SEE WIRING INSTL-BODY,12V FOR ADDITIONAL INFORMATION.

NOTES:  
1. FOR CONNECTIONS, SEE SHEET 2.

- (644) GREAT ALASKAN RENTAL PACKAGE
- (IMJ) TV-19"DC,DVD PLYR,VIDEO SEL
- (ILW) TV-19" DC LCD, DC DVD PLAYER
- (265) CODES/STANDARDS-CSA/CMVSS
- (1B1) CODES/STANDARDS USA

1B1 265 ILW

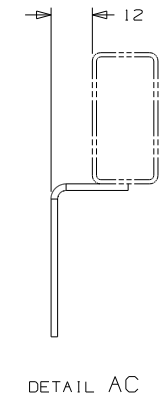
**WINNEBAGO** COPYRIGHT 2006 WINNEBAGO INDUSTRIES, INC.

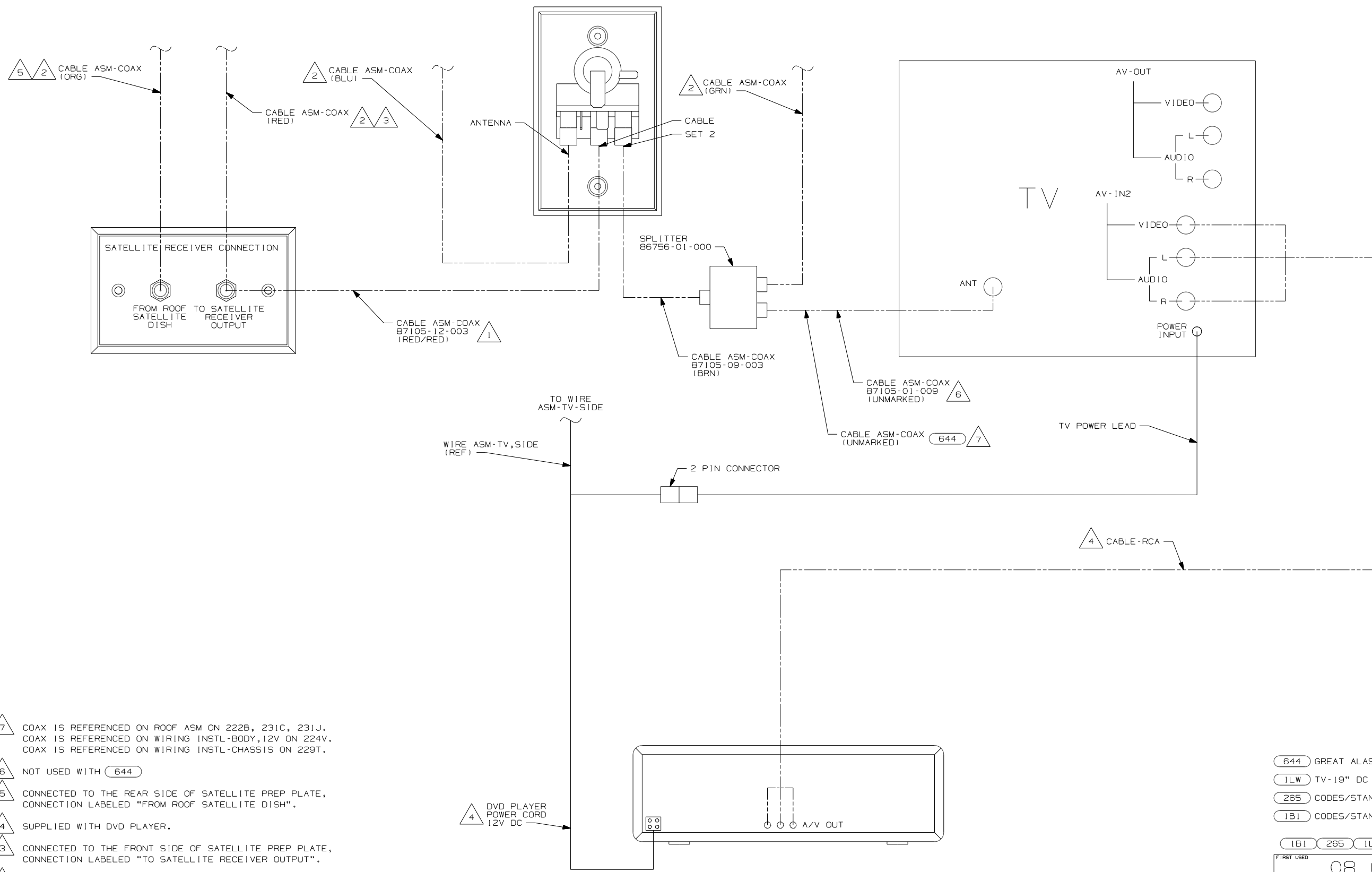
DFTR	ORIG. DATE
CHKR	ALL DIMENSIONS ARE IN MILLIMETERS
P.E.	FIRST USED
M.E.	08 C-BODY
DSNR	
UNSPECIFIED TOLERANCES ARE:	MATERIAL:
WHOLE DIM (X)	: 3
ONE-PLACE (X.X)	: 1.5
TWO-PLACE (X.XX)	: 0.50
ANGLE	: 1°
THIRD ANGLE PROJECTION	

DO NOT SCALE DRAWING

TITLE:	WIRING INSTL-TV/DVD,SIDE
SHEET 1 OF 16	PART NO 160324
REV	

REF: 1 5/9/2008



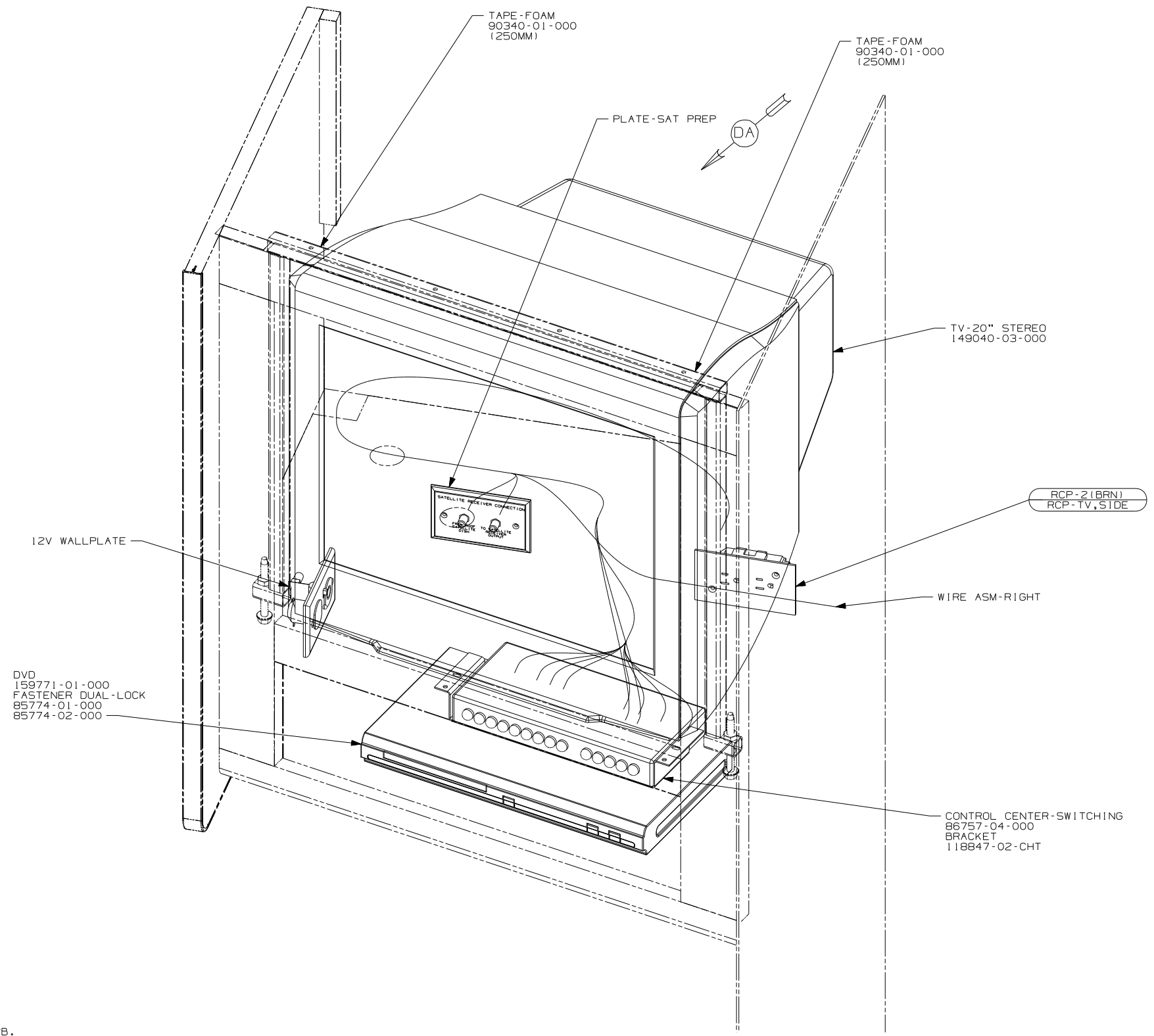


- △ 7 COAX IS REFERENCED ON ROOF ASM ON 222B, 231C, 231J. COAX IS REFERENCED ON WIRING INSTL-BODY, 12V ON 224V. COAX IS REFERENCED ON WIRING INSTL-CHASSIS ON 229T.
- △ 6 NOT USED WITH 644
- △ 5 CONNECTED TO THE REAR SIDE OF SATELLITE PREP PLATE, CONNECTION LABELED "FROM ROOF SATELLITE DISH".
- △ 4 SUPPLIED WITH DVD PLAYER.
- △ 3 CONNECTED TO THE FRONT SIDE OF SATELLITE PREP PLATE, CONNECTION LABELED "TO SATELLITE RECEIVER OUTPUT".
- △ 2 CABLE ROUTED IN ROOF.
- △ 1 CONNECTED TO THE REAR SIDE OF SATELLITE PREP PLATE, CONNECTION LABELED "TO SATELLITE RECEIVER OUTPUT".

NOTES:

- 644 GREAT ALASKAN RENTAL PACKAGE
- 1LW TV-19" DC LCD, DC DVD PLAYER
- 265 CODES/STANDARDS-CSA/CMVSS
- 1B1 CODES/STANDARDS USA

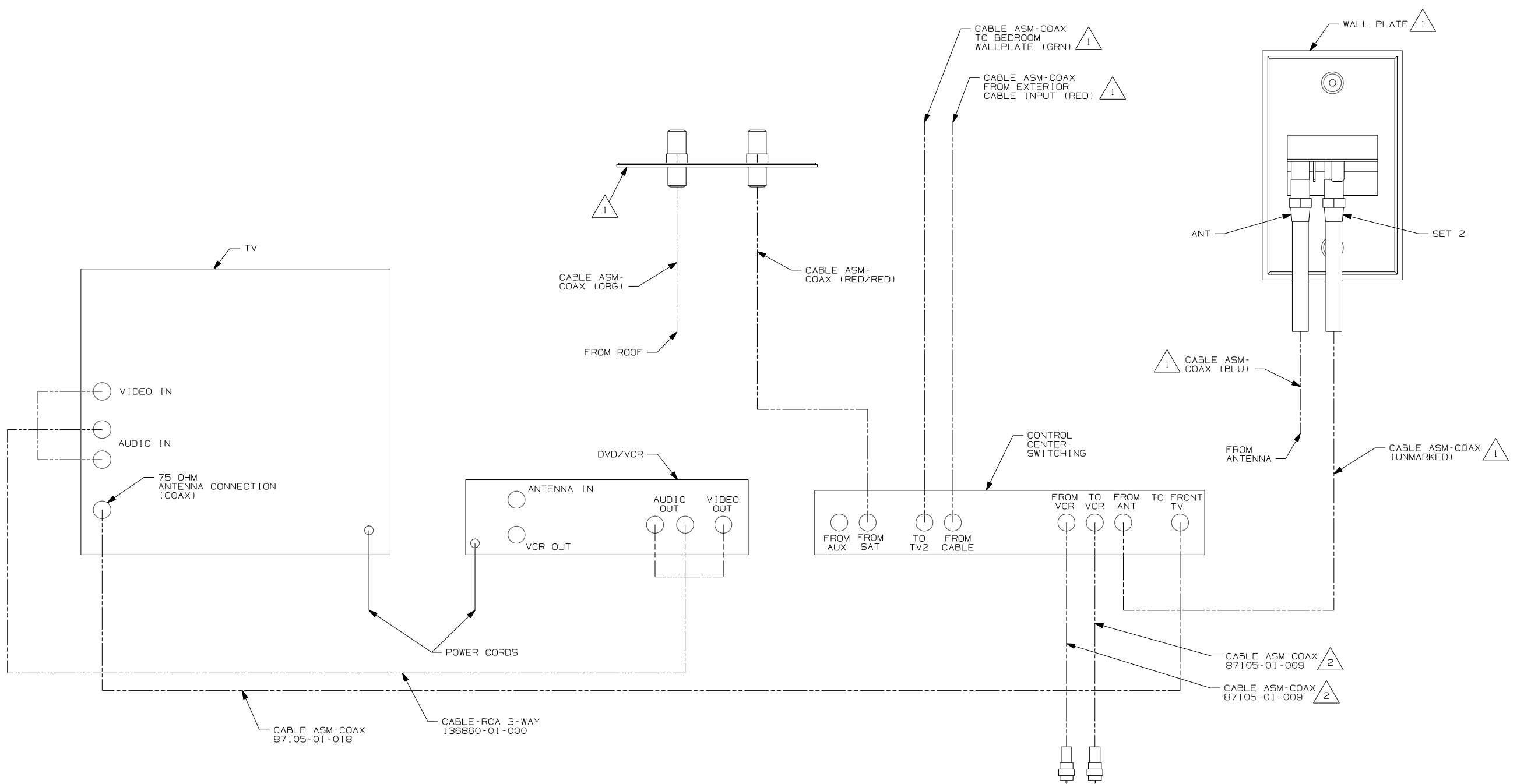
FIRST USED	08 C-BODY	
TITLE	DO NOT SCALE DRAWING	
TITLE	WIRING INSTL-TV/DVD, SIDE	
SHEET 2	PART NO	160324
	REV	



- NOTES:
1. ALL WIRES TO BE SECURED WITH CLAMP 10495 OR 10497 OR WIRE TIE 8343 OR 108046 EVERY 600MM. USE SCREW G67-XX-XXX OR G56-XX-XXX AS APPROPRIATE FOR INSTALLATION.
  2. FOR COAX CONNECTIONS, SEE SHEET 4.
  3. 110V WIRE TO BE CLAMPED WITH CLAMP 10497-05-000 WITHIN 200MM OF OUTLET BOXES, USE SCREW G67-10-12B.

- ILJ TV-20"AC,DVD,VIDEO SEL SYS
- 265 CODES/STANDARDS-CSA/CMVSS
- 1B1 CODES/STANDARDS USA

FIRST USED		08 C-BODY	
DO NOT SCALE DRAWING			
TITLE: WIRING INSTL-TV/DVD, SIDE			
SHEET 3	PART NO	160324	REV



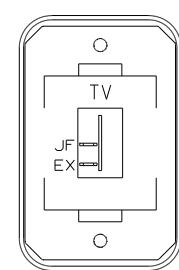
VIEW DA

- (1LJ) TV-20"AC,DVD,VIDEO SEL SYS
- (265) CODES/STANDARDS-CSA/CMVSS
- (1B1) CODES/STANDARDS USA

(1B1) (265) (1LJ)

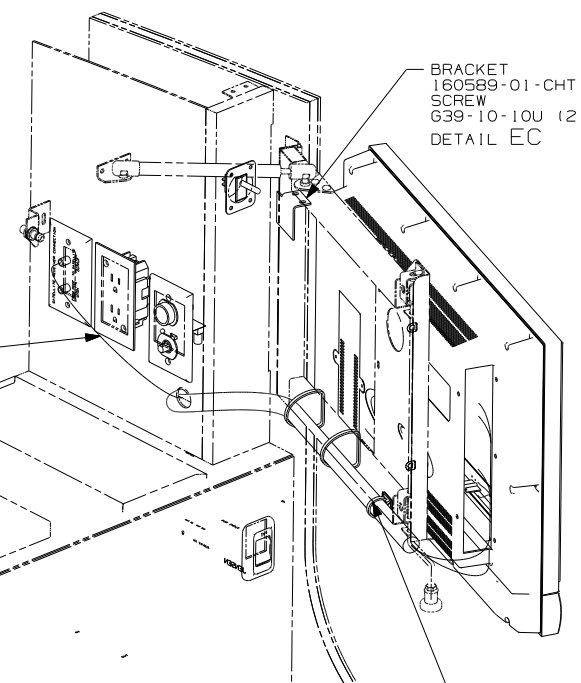
FIRST USED	
08 C-BODY	
DO NOT SCALE DRAWING	
TITLE:	
WIRING INSTL-TV/DVD,SIDE	
SHEET 4	PART NO 160324 REV

- NOTES:
- (2) INSTALL COAX FOR FUTURE CUSTOMER CONNECTION.
  - (1) SEE WIRING INSTL-BODY,12V FOR ADDITIONAL INFORMATION.



SWITCH-ROCKER  
 135740-01-CHT  
 SWITCH-BASE  
 135741-01-CHT  
 SWITCH-BEZEL  
 135742-45-CHT  
 SCREW  
 611-08-08U (2)

DETAIL EA



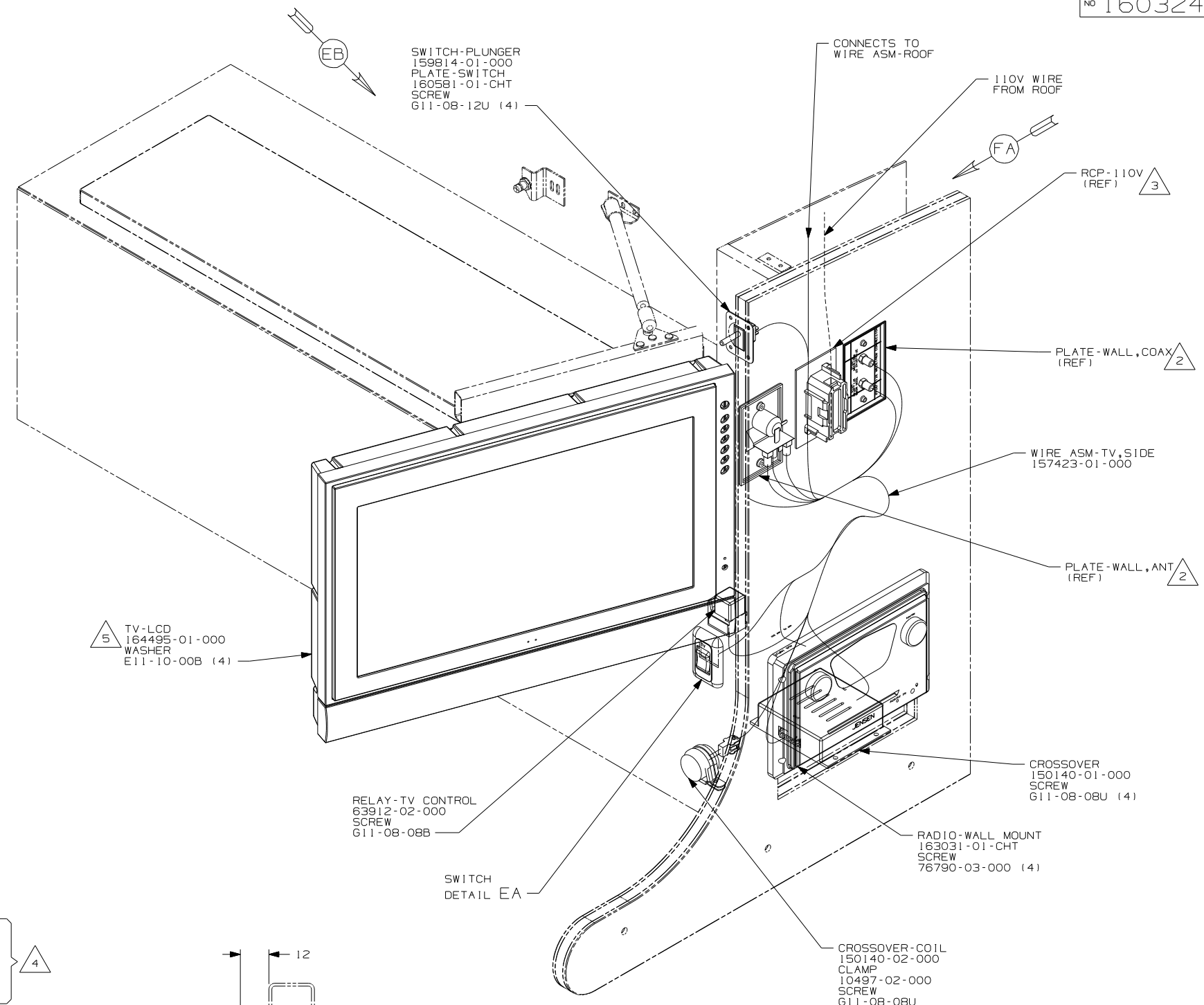
BRACKET  
 160589-01-CHT  
 SCREW  
 G39-10-10U (2)  
 DETAIL EC

VIEW EB

COAX-RED  
 (REF)

TIE-WIRE, MOUNT  
 155366-01-000  
 TIE-WIRE  
 8343-01-000 (3)  
 CONVOLUTE-TUBING  
 41953-05-000  
 (CUT LENGTH 650MM)

4



SWITCH-PLUNGER  
 159814-01-000  
 PLATE-SWITCH  
 160581-01-CHT  
 SCREW  
 611-08-12U (4)

CONNECTS TO  
 WIRE ASM-ROOF

110V WIRE  
 FROM ROOF

RCP-110V  
 (REF)

PLATE-WALL, COAX  
 (REF)

WIRE ASM-TV, SIDE  
 157423-01-000

PLATE-WALL, ANT  
 (REF)

CROSSOVER  
 150140-01-000  
 SCREW  
 611-08-08U (4)

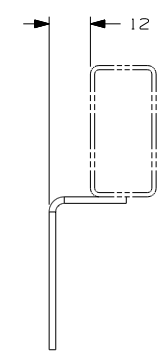
RADIO-WALL MOUNT  
 163031-01-CHT  
 SCREW  
 76790-03-000 (4)

CROSSOVER-COIL  
 150140-02-000  
 CLAMP  
 10497-02-000  
 SCREW  
 611-08-08U

RELAY-TV CONTROL  
 63912-02-000  
 SCREW  
 611-08-08B

SWITCH  
 DETAIL EA

5 TV-LCD  
 164495-01-000  
 WASHER  
 E11-10-00B (4)



DETAIL EC

- 5 USE SCREW SUPPLIED WITH TV.
- 4 COVER WIRES, COAX, AND RCA-CABLES THAT ARE ROUTED TO THE TV WITH CONVOLUTE-TUBING AND SECURE TO TV-SUPPORT WITH TIE-WIRE.
- 3 SEE WIRING INSTL-BODY, 110V FOR ADDITIONAL INFORMATION.
- 2 SEE WIRING INSTL-BODY, 12V FOR ADDITIONAL INFORMATION.

1. FOR CONNECTIONS SEE SHT 6.

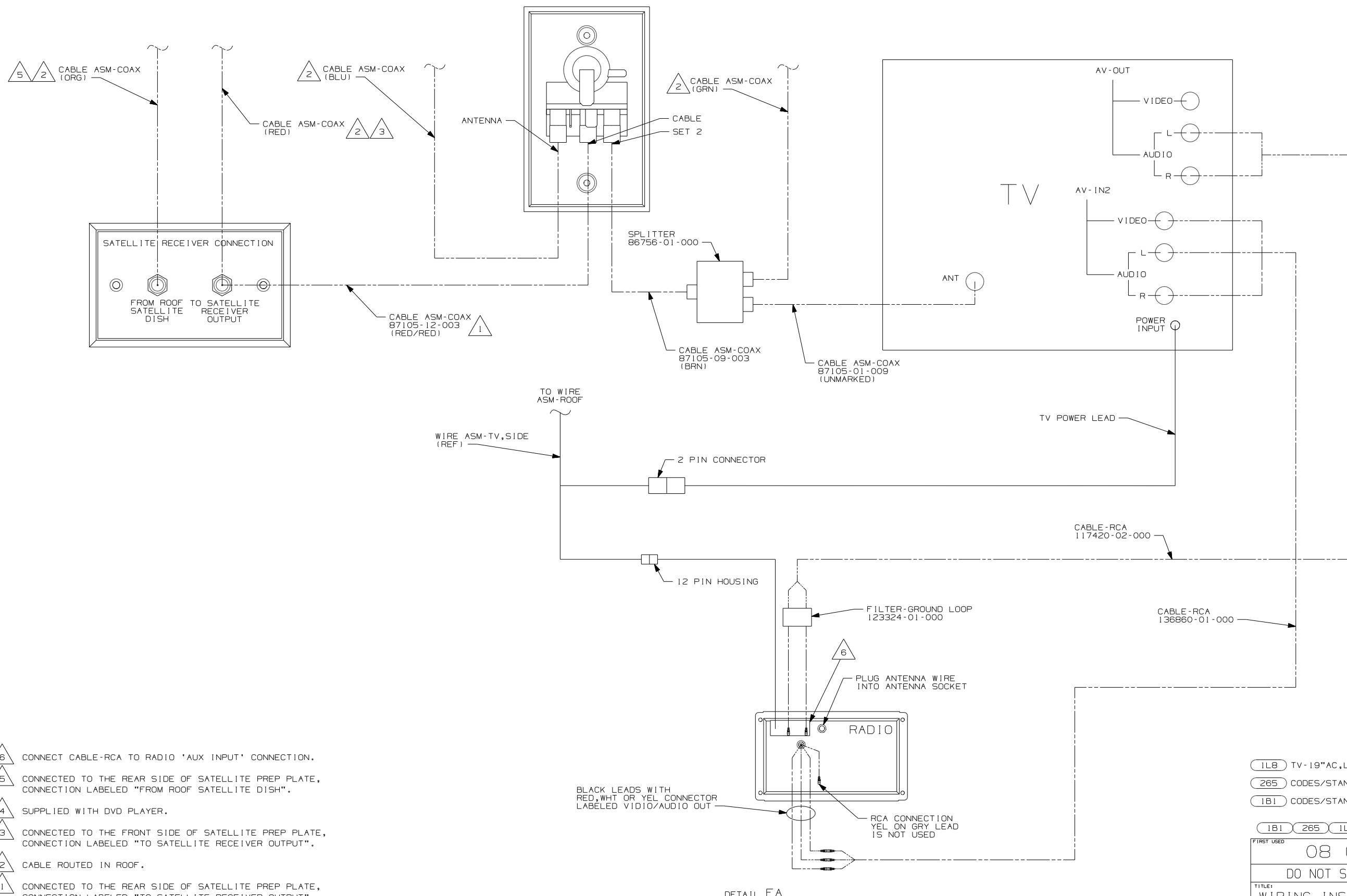
NOTES:

FOR ELECTRICAL  
 TORQUE  
 SPECIFICATIONS  
 SEE DWG NO.  
 128783-01-000

X-X  
 FOR ELECTRICAL  
 CALLOUTS  
 SEE DWG NO.  
 121339-01-000

- 1L8 TV-19" LCD, DVD PLAYER
- 265 CODES/STANDARDS-CSA/CMVSS
- 1B1 CODES/STANDARDS USA

FIRST USED	1B1 265 1L8
08 C-BODY	
DO NOT SCALE DRAWING	
TITLE: WIRING INSTL-TV/DVD, SIDE	
SHEET 5	PART NO 160324 REV



- △6 CONNECT CABLE-RCA TO RADIO 'AUX INPUT' CONNECTION.
- △5 CONNECTED TO THE REAR SIDE OF SATELLITE PREP PLATE, CONNECTION LABELED "FROM ROOF SATELLITE DISH".
- △4 SUPPLIED WITH DVD PLAYER.
- △3 CONNECTED TO THE FRONT SIDE OF SATELLITE PREP PLATE, CONNECTION LABELED "TO SATELLITE RECEIVER OUTPUT".
- △2 CABLE ROUTED IN ROOF.
- △1 CONNECTED TO THE REAR SIDE OF SATELLITE PREP PLATE, CONNECTION LABELED "TO SATELLITE RECEIVER OUTPUT".

NOTES:

BLACK LEADS WITH RED, WHT OR YEL CONNECTOR LABELED VIDEO/AUDIO OUT

RCA CONNECTION YEL ON GRY LEAD IS NOT USED

PLUG ANTENNA WIRE INTO ANTENNA SOCKET

FILTER-GROUND LOOP 123324-01-000

TV POWER LEAD

CABLE-RCA 117420-02-000

CABLE-RCA 136860-01-000

CABLE ASM-COAX 87105-09-003 (BRN)

CABLE ASM-COAX 87105-01-009 (UNMARKED)

SPLITTER 86756-01-000

CABLE ASM-COAX (GRN)

CABLE SET 2

ANTENNA

CABLE ASM-COAX (BLU)

CABLE ASM-COAX (RED)

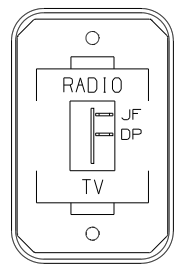
SATELLITE RECEIVER CONNECTION

FROM ROOF TO SATELLITE DISH

TO SATELLITE RECEIVER OUTPUT

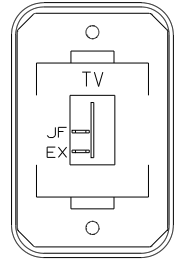
- 1L8 TV-19"AC,LCD, AC DVD PLAYER
- 265 CODES/STANDARDS-CSA/CMVSS
- 1B1 CODES/STANDARDS USA

FIRST USED	08 C-BODY	
TITLE:	DO NOT SCALE DRAWING	
TITLE:	WIRING INSTL-TV/DVD,SIDE	
SHEET 6	PART NO	160324
	REV	



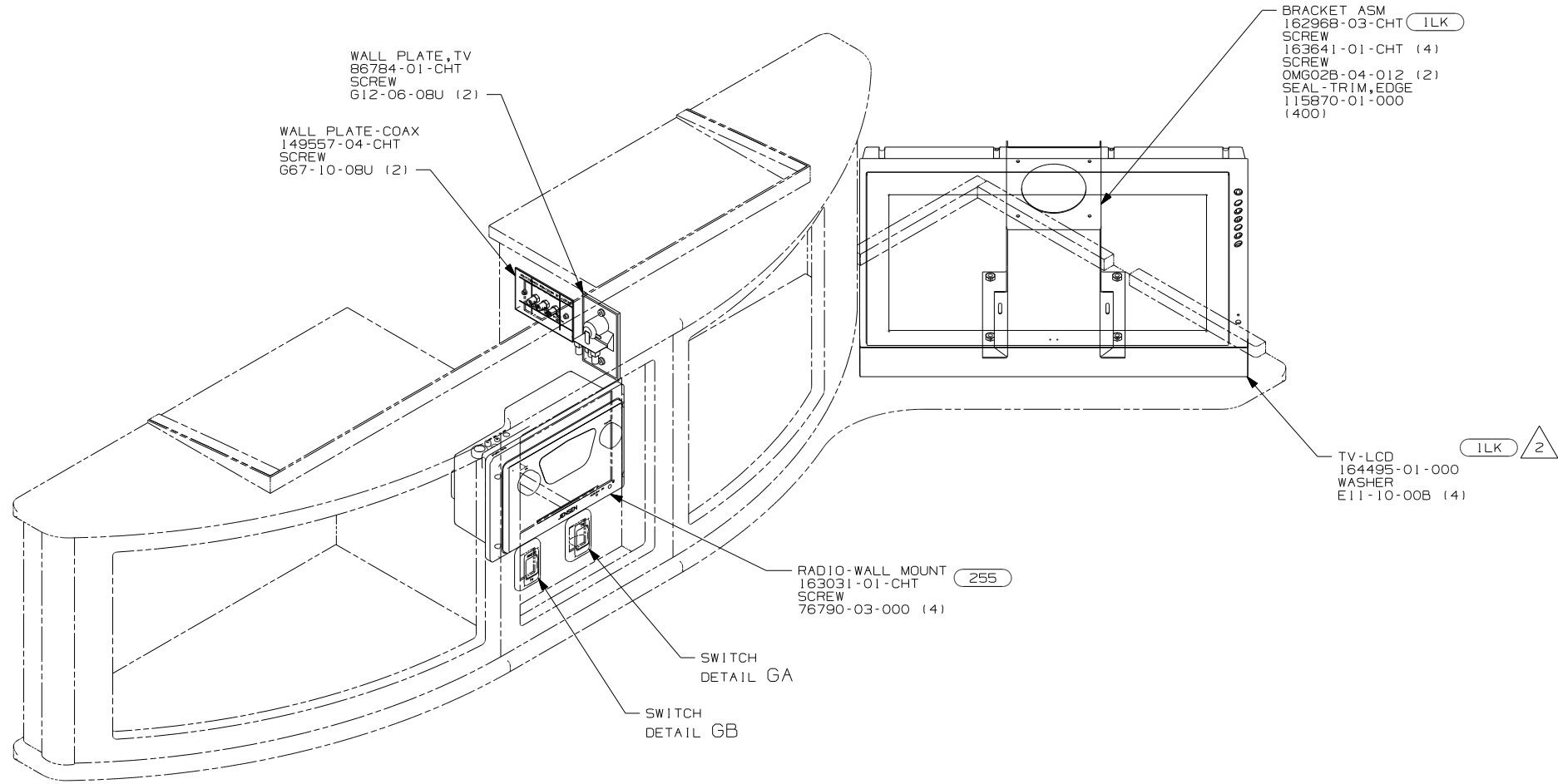
SWITCH-ROCKER  
135740-01-CHT  
SWITCH-BASE  
135741-01-CHT  
SWITCH-BEZEL  
135742-40-CHT  
SCREW  
611-08-08U (2)

DETAIL GB



SWITCH-ROCKER  
135740-01-CHT  
SWITCH-BASE  
135741-01-CHT  
SWITCH-BEZEL  
135742-45-CHT  
SCREW  
611-08-08U (2)

DETAIL GA



WALL PLATE-TV  
86784-01-CHT  
SCREW  
612-06-08U (2)

WALL PLATE-COAX  
149557-04-CHT  
SCREW  
667-10-08U (2)

RADIO-WALL MOUNT  
163031-01-CHT  
SCREW  
76790-03-000 (4)

SWITCH  
DETAIL GA

SWITCH  
DETAIL GB

BRACKET ASM  
162968-03-CHT (1LK)  
SCREW  
163641-01-CHT (4)  
SCREW  
OMG02B-04-012 (2)  
SEAL-TRIM,EDGE  
115870-01-000  
(400)

TV-LCD  
164495-01-000  
WASHER  
E11-10-00B (4)

- (1LK) TV-19"DC,COLOR,LCD W/REMOTE
- (255) RADIO/AM/FM/CD/DVD, COACH
- (265) CODES/STANDARDS-CSA/CMVSS
- (1B1) CODES/STANDARDS USA

(1B1) (265)

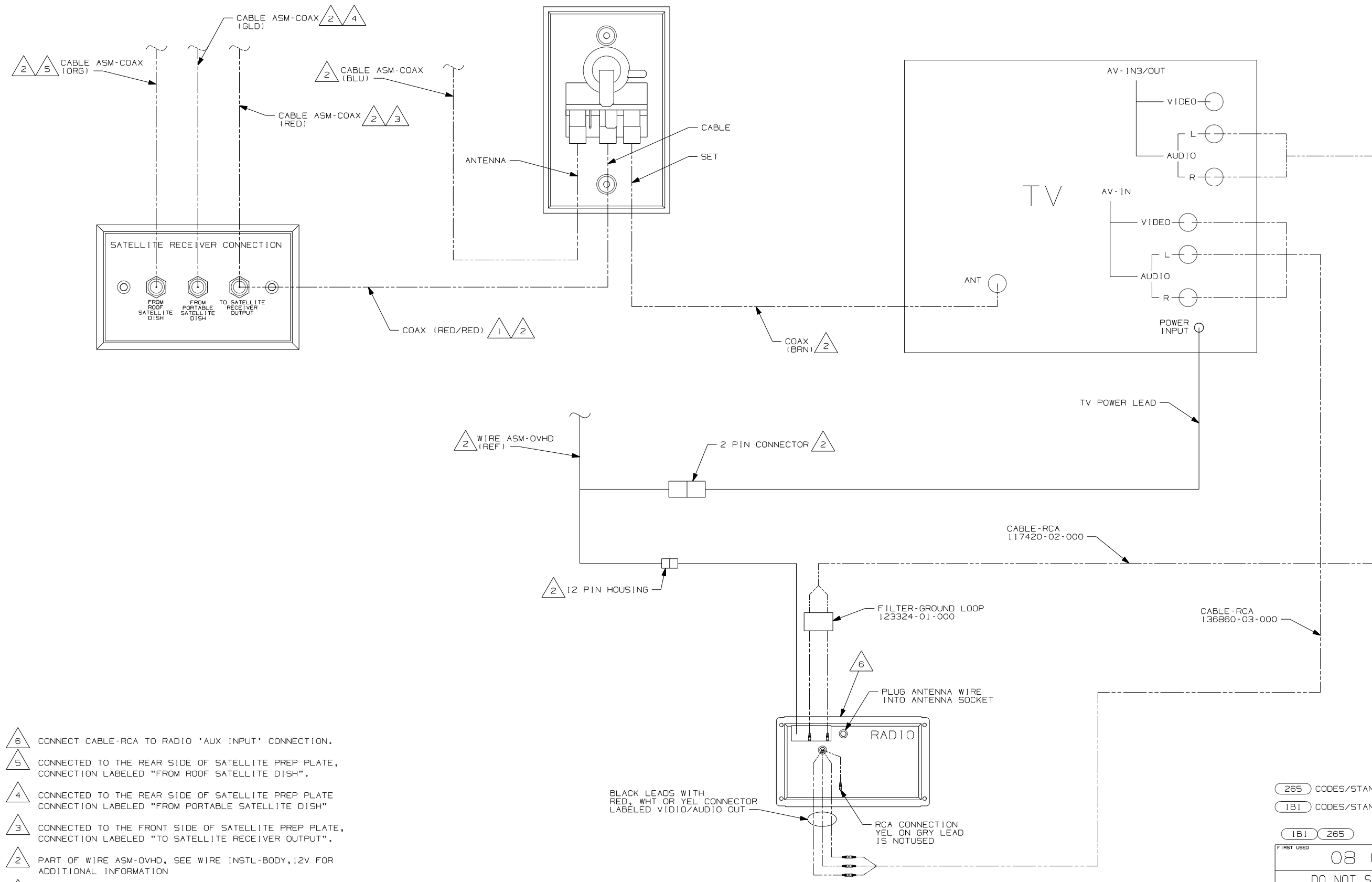
NOTES:  
 USE SCREWS SUPPLIED WITH TV.  
 FOR CONNECTIONS SEE SHEET 8.

FOR ELECTRICAL  
TORQUE  
SPECIFICATIONS  
SEE DWG NO.  
128783-01-000

(X-X)  
FOR  
ELECTRICAL  
CALLOUTS  
SEE DWG NO.  
121339-01-000

FIRST USED	
08 C-BODY	
DO NOT SCALE DRAWING	
TITLE: WIRING INSTL-TV/DVD,SIDE	
SHEET 7	PART NO 160324 REV

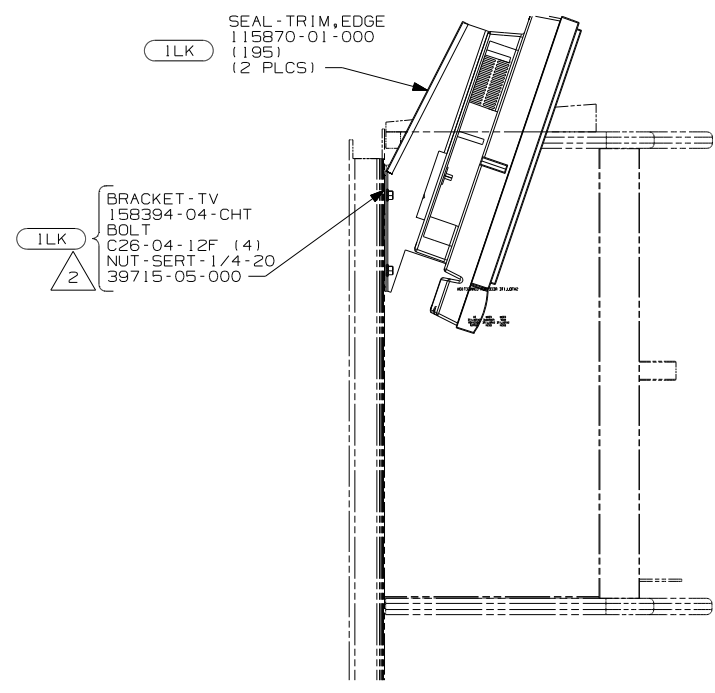




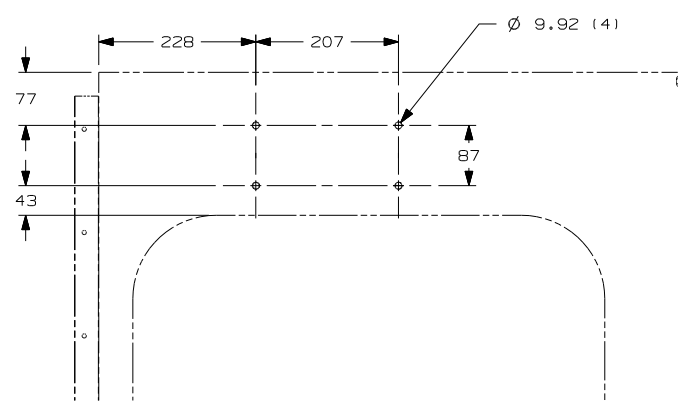
- △6 CONNECT CABLE-RCA TO RADIO 'AUX INPUT' CONNECTION.
- △5 CONNECTED TO THE REAR SIDE OF SATELLITE PREP PLATE, CONNECTION LABELED "FROM ROOF SATELLITE DISH".
- △4 CONNECTED TO THE REAR SIDE OF SATELLITE PREP PLATE CONNECTION LABELED "FROM PORTABLE SATELLITE DISH"
- △3 CONNECTED TO THE FRONT SIDE OF SATELLITE PREP PLATE, CONNECTION LABELED "TO SATELLITE RECEIVER OUTPUT".
- △2 PART OF WIRE ASM-OVHD, SEE WIRE INSTL-BODY, 12V FOR ADDITIONAL INFORMATION
- △1 CONNECTED TO THE REAR SIDE OF SATELLITE PREP PLATE, CONNECTION LABELED "TO SATELLITE RECEIVER OUTPUT".

265	CODES/STANDARDS - CSA/CMVSS
1B1	CODES/STANDARDS USA
1B1	265
FIRST USED 08 C-BODY	
DO NOT SCALE DRAWING	
TITLE: WIRING INSTL-TV/DVD, SIDE	
SHEET 8	PART NO 160324 REV
1 5/9/2008	

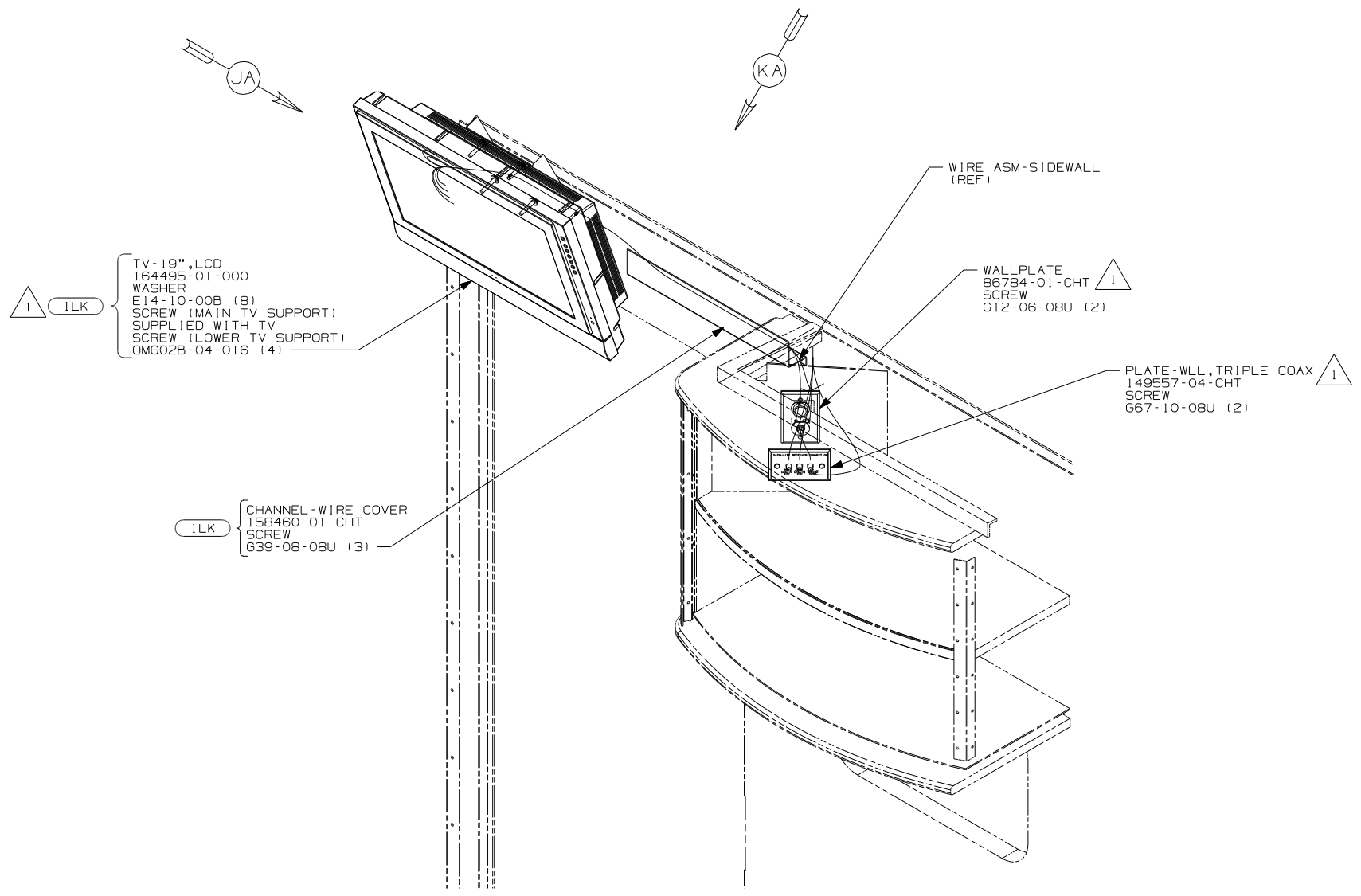
DETAIL HA



VIEW JA



DETAIL JB ILK

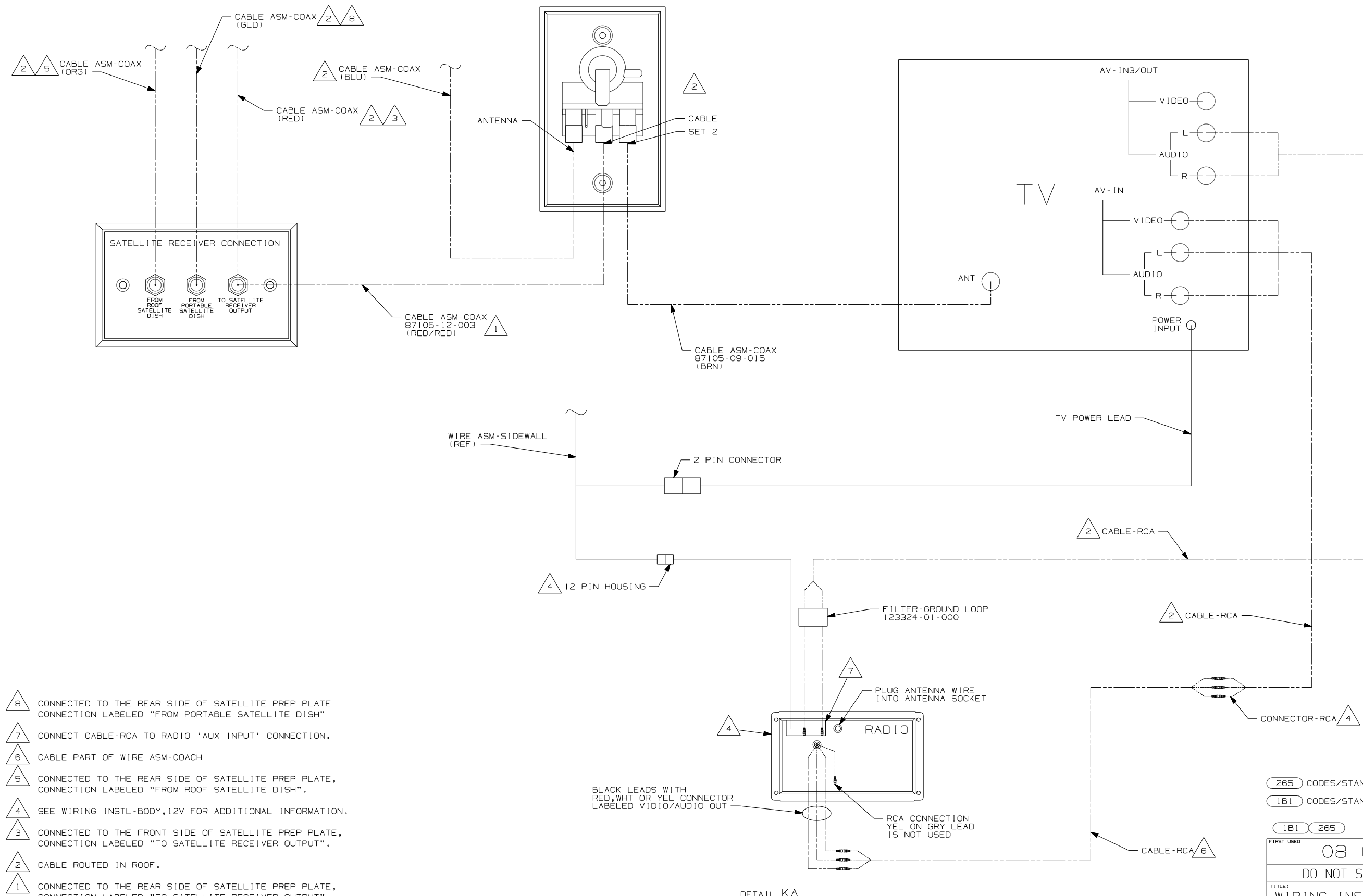


REMOVE PANELING SO NUT-SERT CLAMPS JUST THE INNER WALL OF THE SIDEWALL TUBE.  
 FOR CONNECTIONS SEE SHEET 10.

NOTES:

- TV-19"DC,COLOR,LCD W/REMOTE
- CODES/STANDARDS-CSA/CMVSS
- CODES/STANDARDS USA

FIRST USED	
08 C-BODY	
DO NOT SCALE DRAWING	
TITLE:	
WIRING INSTL-TV/DVD, SIDE	
SHEET 9	PART NO 160324 REV



- 8 CONNECTED TO THE REAR SIDE OF SATELLITE PREP PLATE CONNECTION LABELED "FROM PORTABLE SATELLITE DISH"
- 7 CONNECT CABLE-RCA TO RADIO 'AUX INPUT' CONNECTION.
- 6 CABLE PART OF WIRE ASM-COACH
- 5 CONNECTED TO THE REAR SIDE OF SATELLITE PREP PLATE, CONNECTION LABELED "FROM ROOF SATELLITE DISH".
- 4 SEE WIRING INSTL-BODY, 12V FOR ADDITIONAL INFORMATION.
- 3 CONNECTED TO THE FRONT SIDE OF SATELLITE PREP PLATE, CONNECTION LABELED "TO SATELLITE RECEIVER OUTPUT".
- 2 CABLE ROUTED IN ROOF.
- 1 CONNECTED TO THE REAR SIDE OF SATELLITE PREP PLATE, CONNECTION LABELED "TO SATELLITE RECEIVER OUTPUT".

NOTES:

265 CODES/STANDARDS-CSA/CMVSS  
 1B1 CODES/STANDARDS USA  
 1B1 265  
 FIRST USED  
**08 C-BODY**  
 DO NOT SCALE DRAWING  
 TITLE:  
**WIRING INSTL-TV/DVD, SIDE**  
 SHEET 10 PART NO 160324 REV  
 1 5/9/2008

DETAIL KA

2 SPEAKER-CUBE  
160868-01-000 (2)  
SPEAKER-GRILLE,CUBE  
160868-02-CHT (2)  
SCREW  
G11-08-08U (8)

PLATE-WALL,TRIPLE COAX  
149557-04-CHT  
SCREW  
G67-10-08U (2)

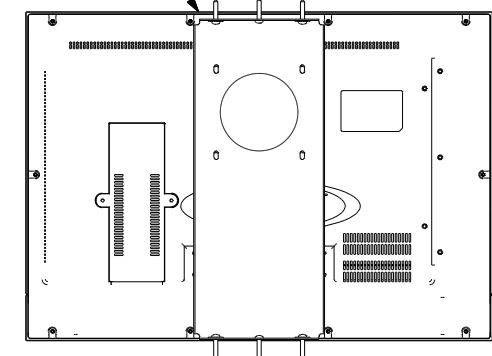
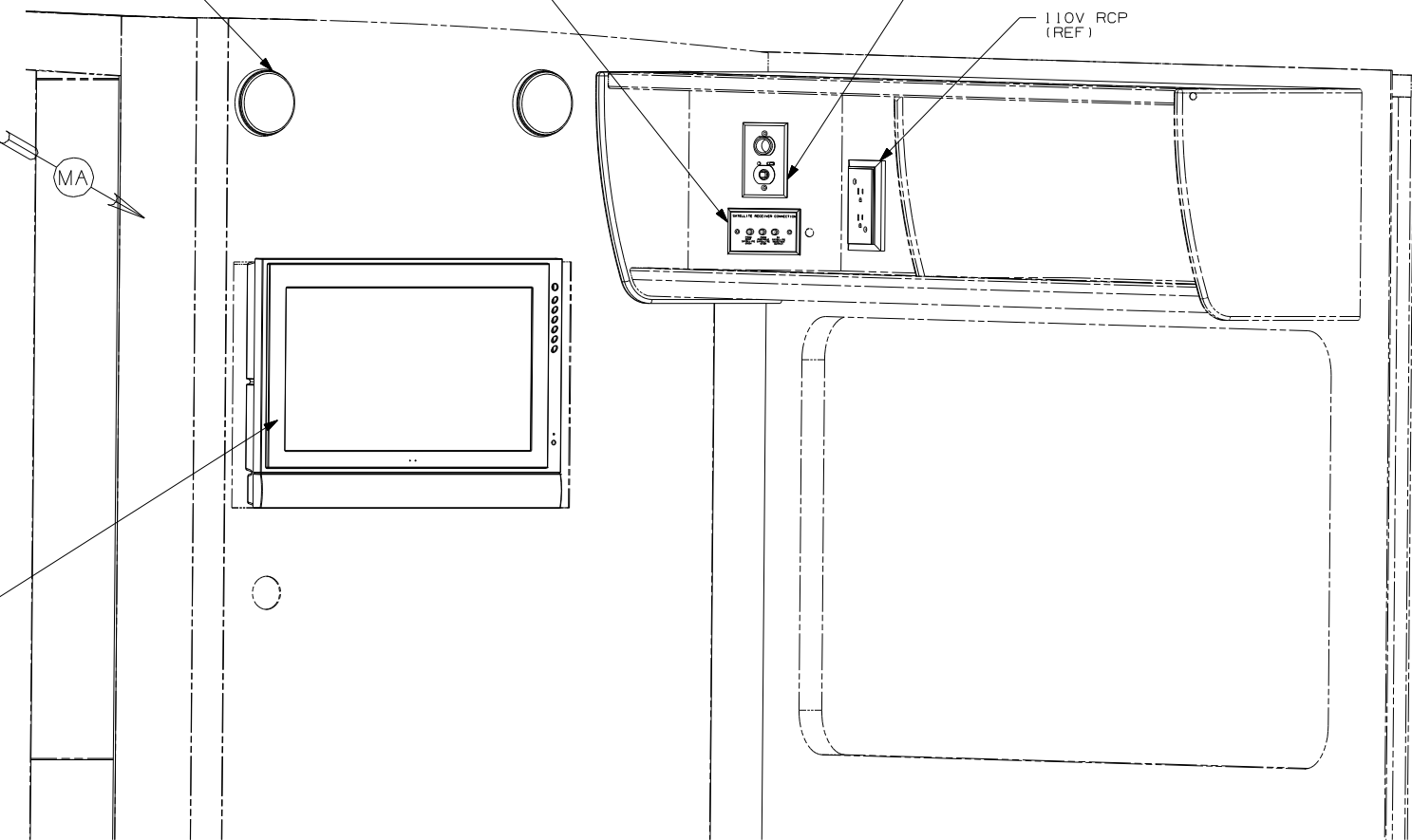
WALLPLATE  
86784-01-CHT  
SCREW  
G12-06-08U (2)

110V RCP  
(REF)

1LK

BRACKET-TV  
164708-01-CHT  
SCREW  
G11-10-16B (6)  
WASHER  
E13-14-00B (4)

3 2 1LK TV-LCD  
164495-01-000  
WASHER  
E11-10-00B (4)



VIEW LA

- 3 USE SCREWS SUPPLIED WITH TV.
- 2 SEE WIRING INSTL-BODY,12V AND WIRE ASM-COACH FOR ADDITIONAL INFORMATION.

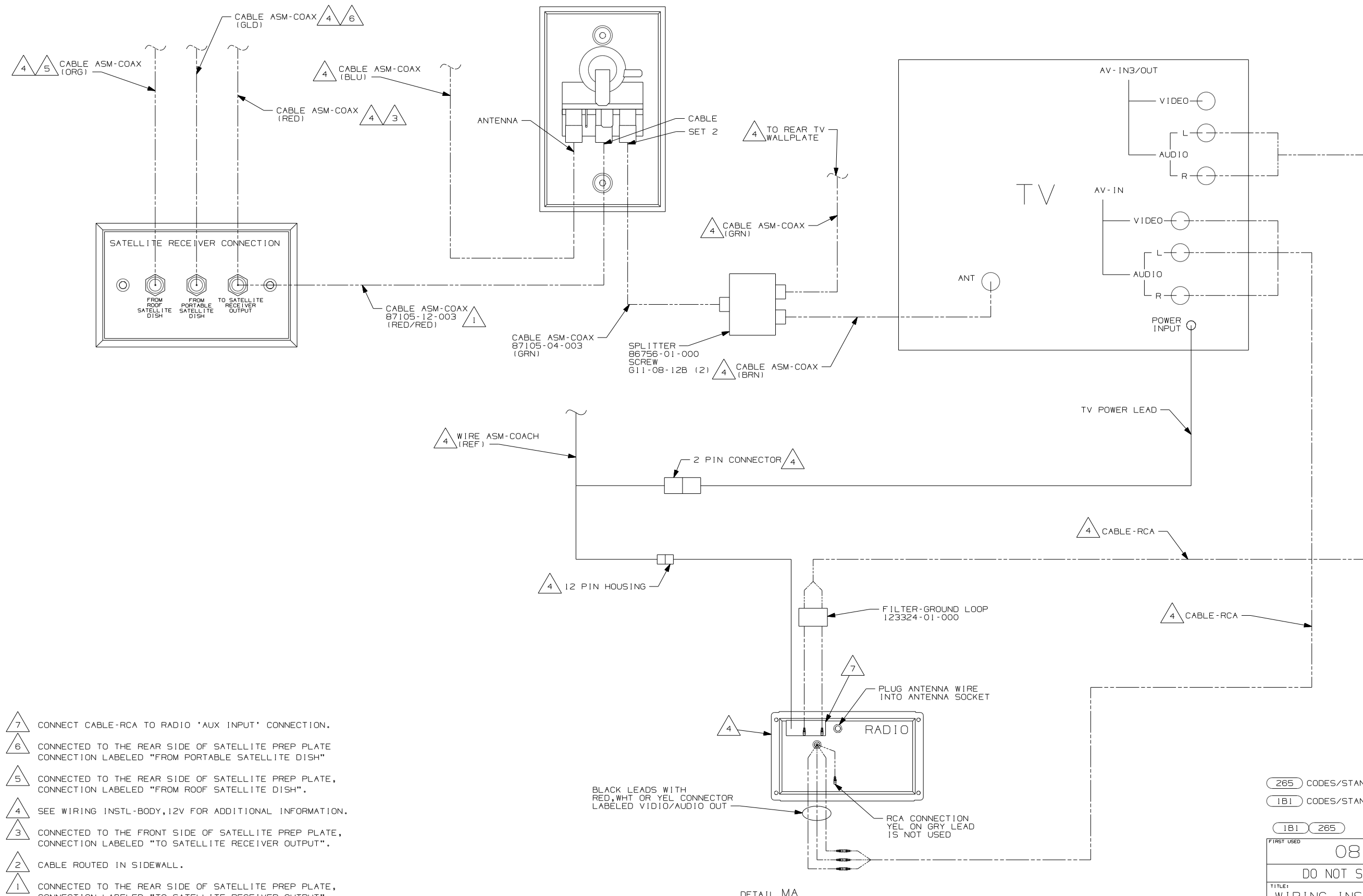
1. FOR CONNECTIONS SEE SHEET 12.

NOTES:

- 1LK TV-19"DC,COLOR,LCD W/REMOTE
- 265 CODES/STANDARDS-CSA/CMVSS
- 1B1 CODES/STANDARDS USA

1B1 265

FIRST USED	08 523B	
DO NOT SCALE DRAWING		
TITLE:	WIRING INSTL-TV/DVD,SIDE	
SHEET 11	PART NO	160324
REV		



- 7 CONNECT CABLE-RCA TO RADIO 'AUX INPUT' CONNECTION.
- 6 CONNECTED TO THE REAR SIDE OF SATELLITE PREP PLATE CONNECTION LABELED "FROM PORTABLE SATELLITE DISH"
- 5 CONNECTED TO THE REAR SIDE OF SATELLITE PREP PLATE, CONNECTION LABELED "FROM ROOF SATELLITE DISH".
- 4 SEE WIRING INSTL-BODY, 12V FOR ADDITIONAL INFORMATION.
- 3 CONNECTED TO THE FRONT SIDE OF SATELLITE PREP PLATE, CONNECTION LABELED "TO SATELLITE RECEIVER OUTPUT".
- 2 CABLE ROUTED IN SIDEWALL.
- 1 CONNECTED TO THE REAR SIDE OF SATELLITE PREP PLATE, CONNECTION LABELED "TO SATELLITE RECEIVER OUTPUT".

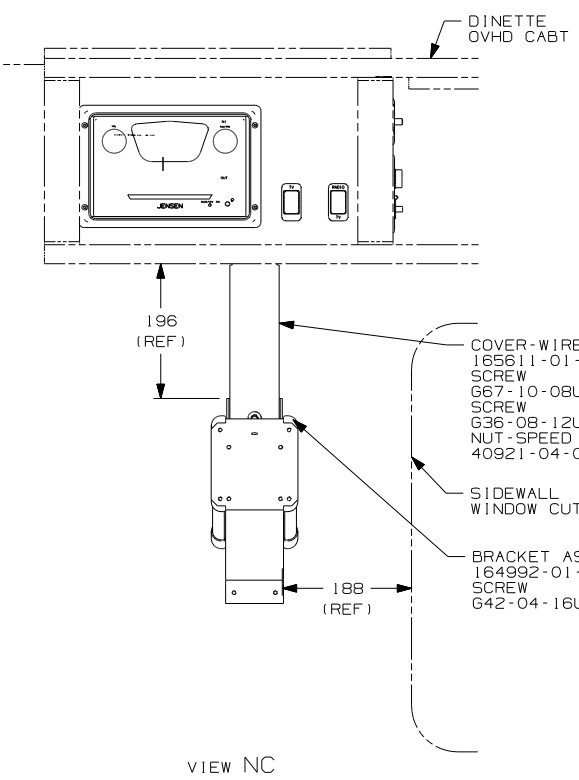
NOTES:

BLACK LEADS WITH RED, WHT OR YEL CONNECTOR LABELED VIDEO/AUDIO OUT

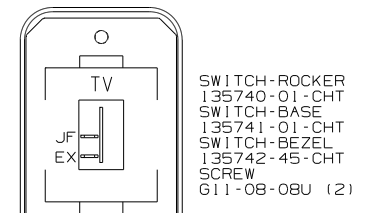
RCA CONNECTION YEL ON GRN LEAD IS NOT USED

265	CODES/STANDARDS-CSA/CMVSS
1B1	CODES/STANDARDS USA
1B1	265
FIRST USED	08 523B
DO NOT SCALE DRAWING	
TITLE: WIRING INSTL-TV/DVD, SIDE	
SHEET 12	PART NO 160324 REV
1 5/9/2008	

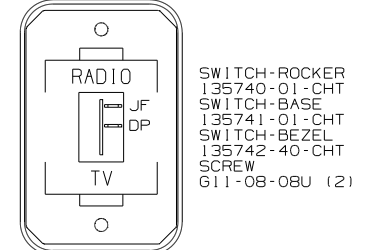
DETAIL MA



- COVER-WIRE 165611-01-CHT SCREW 667-10-08U (2) SCREW 636-08-12U (2) NUT-SPEED 40921-04-000 (2)
- SIDEWALL WINDOW CUTOUT
- BRACKET ASM-TV 164992-01-XXX SCREW 642-04-16U (6)



- SWITCH-ROCKER 135740-01-CHT SWITCH-BASE 135741-01-CHT SWITCH-BEZEL 135742-45-CHT SCREW 611-08-08U (2)

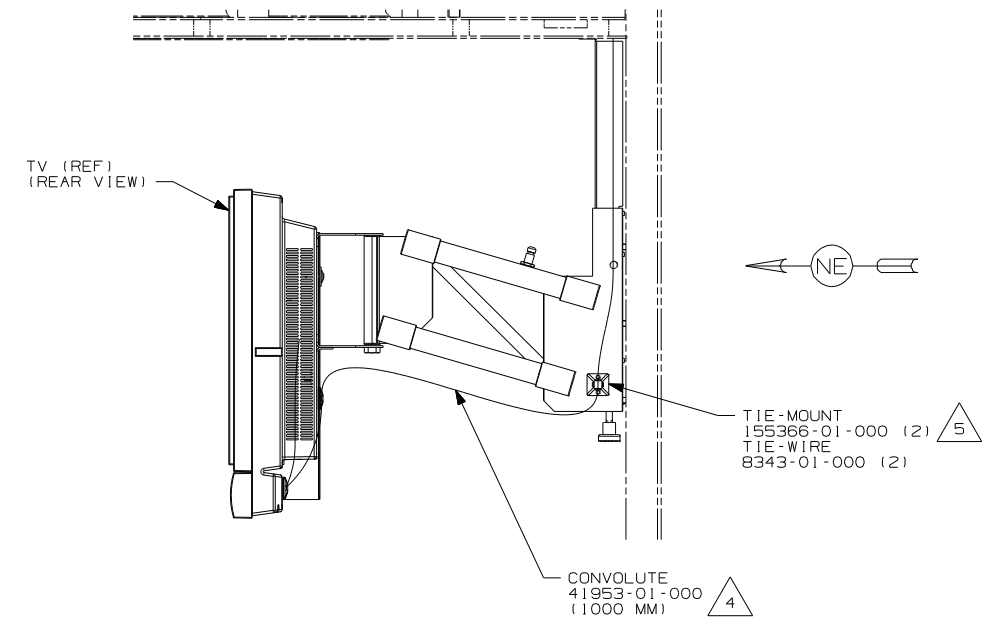
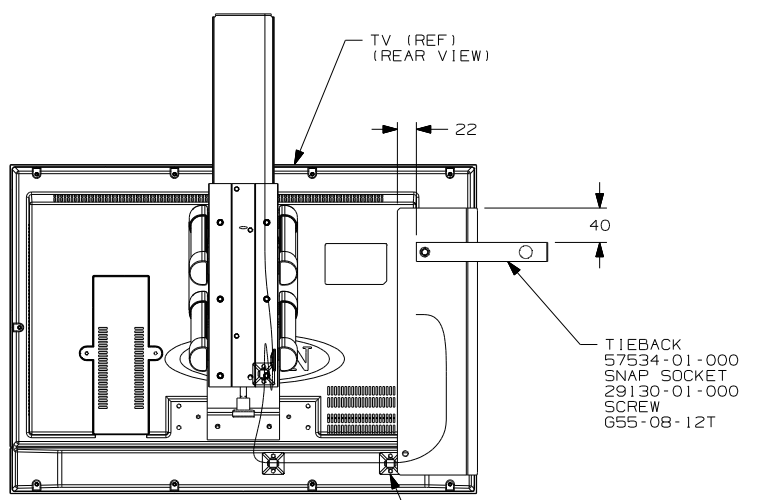
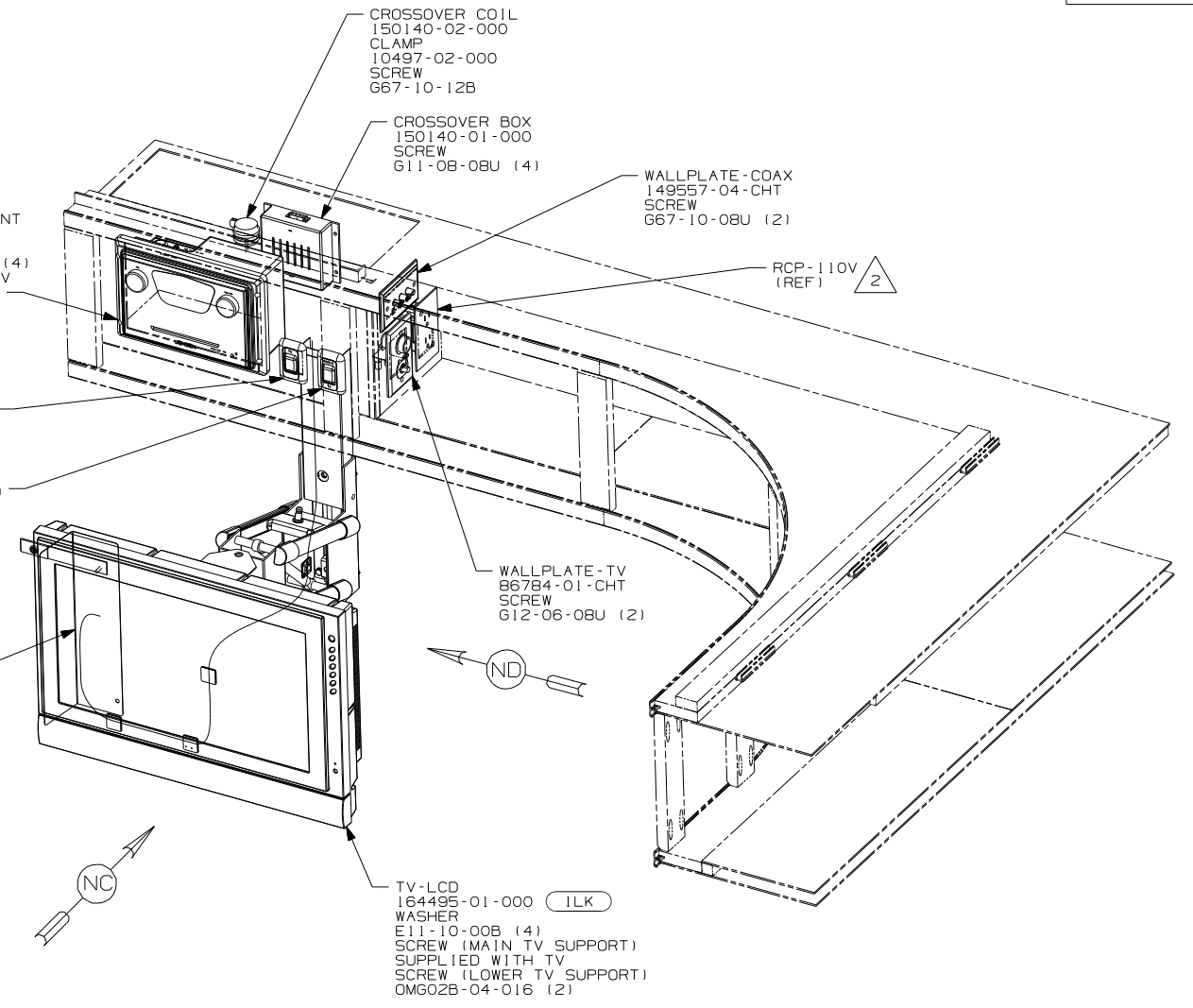


- SWITCH-ROCKER 135740-01-CHT SWITCH-BASE 135741-01-CHT SWITCH-BEZEL 135742-40-CHT SCREW 611-08-08U (2)

- COVER-WIRE 165612-01-CHT FASTENER-DUAL LOCK 85774-01-000 (2-200MM) 85774-02-000 (2-200MM)

- RADIO-WALLMOUNT 163031-01-CHT SCREW 76790-03-000 (4) RELAY-RADIO/TV 115539-01-000

- SWITCH DETAIL NA
- SWITCH DETAIL NB



- 5 MOUNTED TO INSIDE SURFACE OF TV BRACKET.
  - 4 COVER ALL WIRES AND CABLES WITH CONVOLUTE TUBING, SECURE TO TV BRACKET SO THAT WIRES AND CABLES DO NOT BECOME PINCHED.
  - 3 USE SCREWS SUPPLIED WITH TV.
  - 2 SEE WIRING INSTL-BODY,110V FOR ADDITIONAL INFORMATION.
1. FOR CONNECTIONS, SEE SHEET 14.

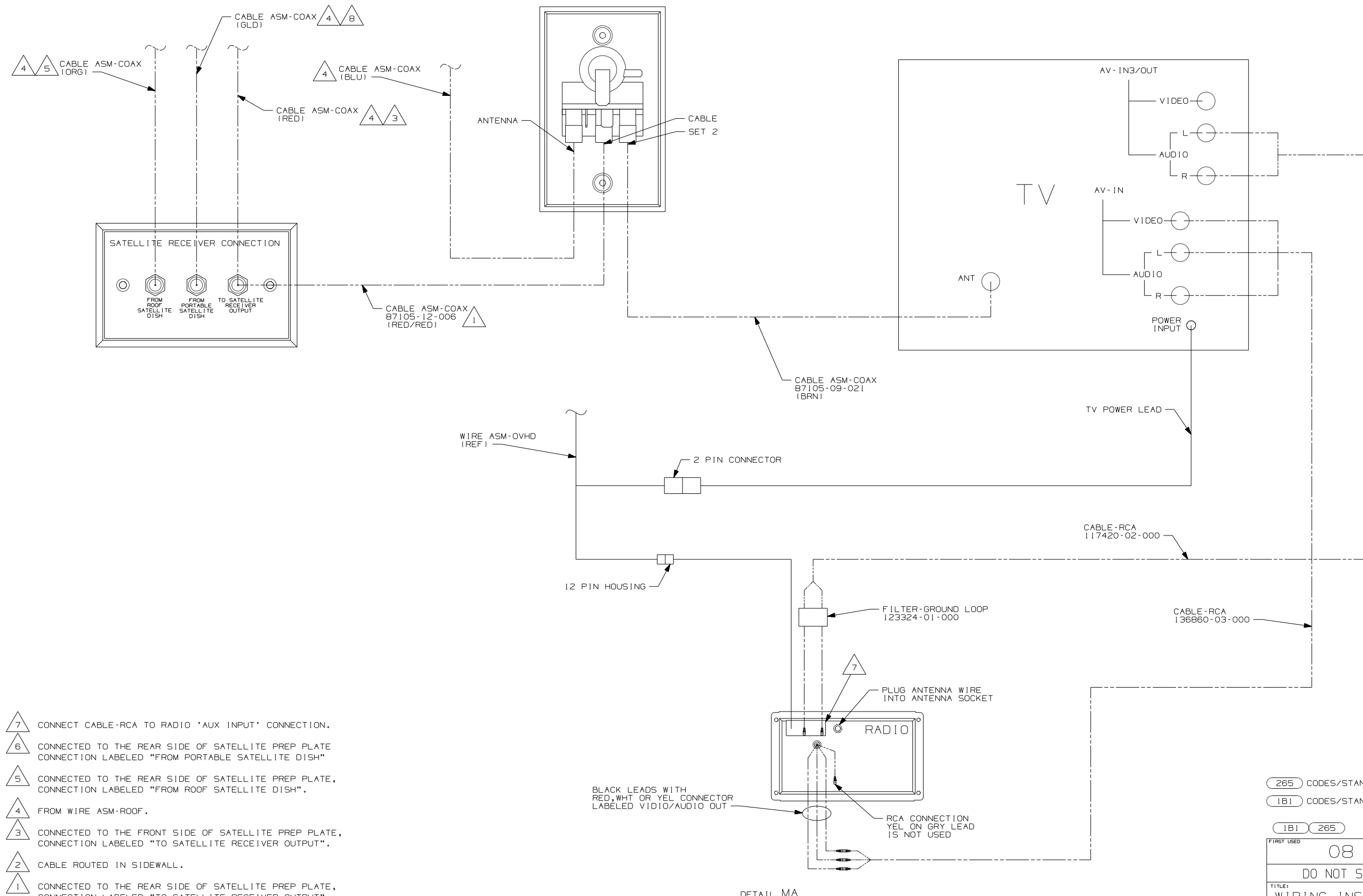
NOTES:

- 255 RADIO/AM/FM/CD/DVD PLAYER
- ILK TV-19"DC,COLOR,LCD W/REMOTE
- 265 CODES/STANDARDS-CSA/CMVSS
- 1B1 CODES/STANDARDS USA

FIRST USED	08 524CL
TITLE	DO NOT SCALE DRAWING
TITLE	WIRING INSTL-TV/DVD,SIDE
SHEET 13	PART NO 160324 REV

FOR ELECTRICAL TORQUE SPECIFICATIONS SEE DWG NO. 128783-01-000

FOR ELECTRICAL CALLOUTS SEE DWG NO. 121339-01-000



- 7 CONNECT CABLE-RCA TO RADIO 'AUX INPUT' CONNECTION.
- 6 CONNECTED TO THE REAR SIDE OF SATELLITE PREP PLATE CONNECTION LABELED "FROM PORTABLE SATELLITE DISH"
- 5 CONNECTED TO THE REAR SIDE OF SATELLITE PREP PLATE, CONNECTION LABELED "FROM ROOF SATELLITE DISH".
- 4 FROM WIRE ASM-ROOF.
- 3 CONNECTED TO THE FRONT SIDE OF SATELLITE PREP PLATE, CONNECTION LABELED "TO SATELLITE RECEIVER OUTPUT".
- 2 CABLE ROUTED IN SIDEWALL.
- 1 CONNECTED TO THE REAR SIDE OF SATELLITE PREP PLATE, CONNECTION LABELED "TO SATELLITE RECEIVER OUTPUT".

NOTES:

BLACK LEADS WITH RED, WHT OR YEL CONNECTOR LABELED VIDEO/AUDIO OUT

PLUG ANTENNA WIRE INTO ANTENNA SOCKET

RCA CONNECTION YEL ON GRY LEAD IS NOT USED

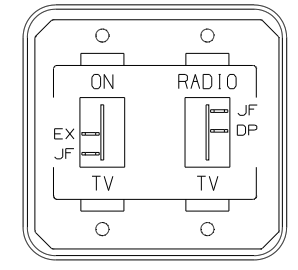
DETAIL MA

265 CODES/STANDARDS-CSA/CMVSS

1B1 CODES/STANDARDS USA

1B1 265

FIRST USED	08 524CL	
TITLE	DO NOT SCALE DRAWING	
TITLE	WIRING INSTL-TV/DVD, SIDE	
SHEET 14	PART NO 160324	REV



SWITCH-ROCKER  
135740-01-CHT (2)  
SWITCH-BASE  
135741-02-CHT  
SWITCH-BEZEL  
135742-55-CHT  
SCREW  
G11-08-08U (4)

DETAIL RA

CROSSOVER BOX  
150140-01-000  
SCREW  
G11-08-08U (4)

RELAY-RADIO TV  
115539-01-000  
CROSSOVER COIL  
150140-02-000  
CLAMP  
10497-02-000  
SCREW  
G67-10-12B

WALLPLATE-COAX  
149557-04-CHT  
SCREW  
G67-10-08U (2)

WALLPLATE-TV  
86784-01-CHT  
SCREW  
G12-06-08U (2)

255 RADIO-WALLMOUNT  
163031-01-CHT  
SCREW  
76790-03-000

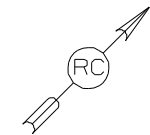
ILY SWITCH-AUDIO/VIDEO  
156689-01-000  
TAPE-FOAM DBL COATED  
76322-21-000  
(2-100MM)

SWITCH  
DETAIL RA

TV-LCD  
165808-01-000  
WIRE ASM-TV  
165808-02-000  
SUPPORT ASM-TV  
167555-01-CHT  
SCREW  
G39-10-12U(6)  
G11-10-12U(3)  
PLATE-MOUNTING  
163321-01-CHT  
SCREW  
OMG02B-04-012 (4)  
WASHER  
E14-10-00B (4)  
TAPE-FOAM  
76322-21-000  
(160 LONG)

IL6

GROMMET  
114208-07-000 2



- ILY TV-15" CLR,LCD,REMOTE,REAR
- IL6 TV-15"DC,COLOR,LCD W/REMOTE
- 255 RADIO/AM/FM/CD/DVD PLAYER
- 265 CODES/STANDARDS-CSA/CMVSS
- 1B1 CODES/STANDARDS USA

1B1 265

2 INSERT GROMMET INTO HOLE ON SUPPORT ASM-TV.  
RUN RCA CABLES, COAX, AND POWERCORD THROUGH GROMMET.

1 FOR CONNECTIONS SEE SHEET 16.

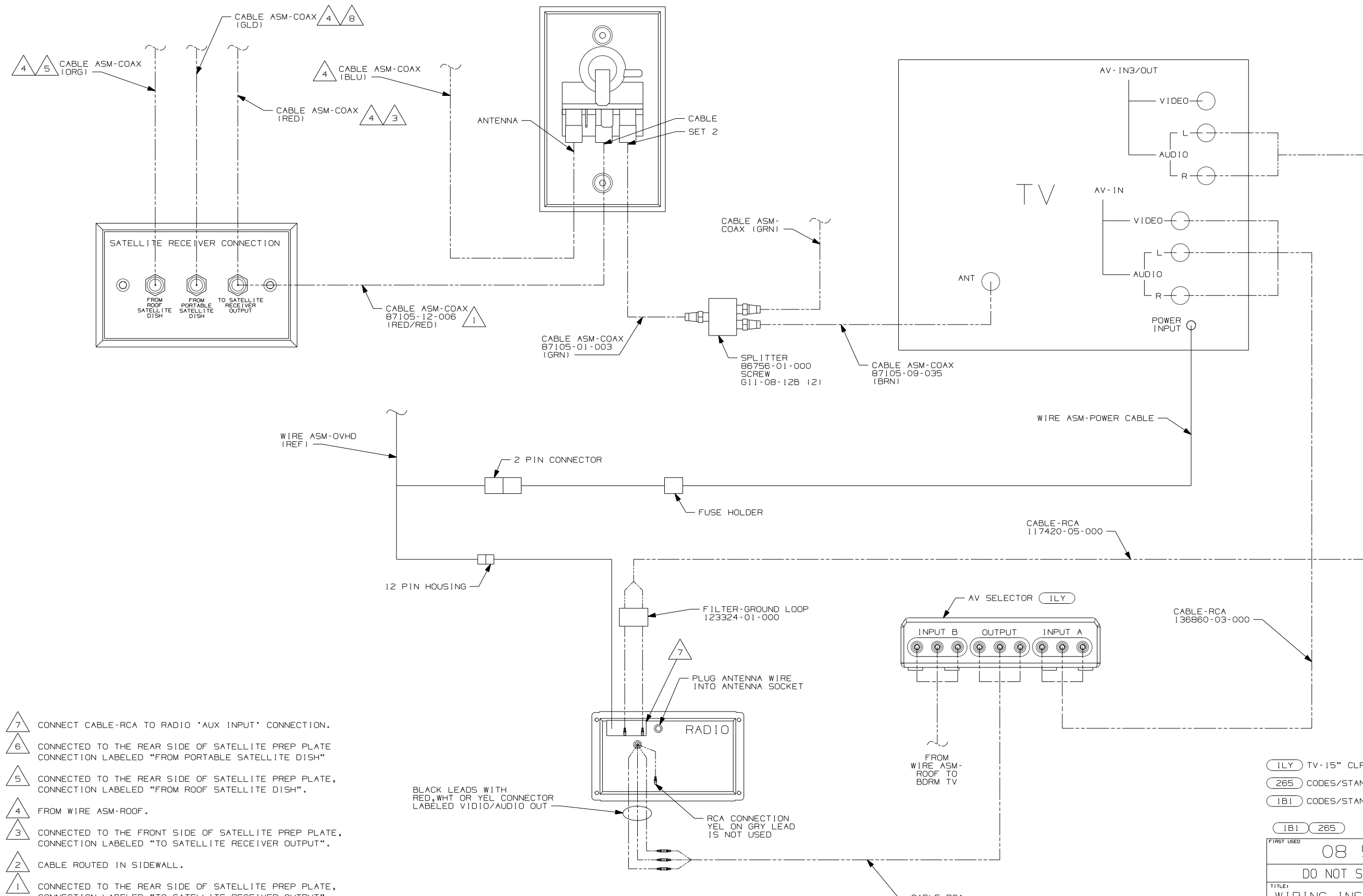
NOTES:

FOR ELECTRICAL  
TORQUE  
SPECIFICATIONS  
SEE DWG NO.  
128783-01-000

FOR ELECTRICAL  
CALLOUTS  
SEE DWG NO.  
121339-01-000

FIRST USED	
08 524DL	
DO NOT SCALE DRAWING	
TITLE: WIRING INSTL-TV/DVD,SIDE	
SHEET 15	PART NO 160324 REV





- 7 CONNECT CABLE-RCA TO RADIO 'AUX INPUT' CONNECTION.
- 6 CONNECTED TO THE REAR SIDE OF SATELLITE PREP PLATE CONNECTION LABELED "FROM PORTABLE SATELLITE DISH"
- 5 CONNECTED TO THE REAR SIDE OF SATELLITE PREP PLATE, CONNECTION LABELED "FROM ROOF SATELLITE DISH".
- 4 FROM WIRE ASM-ROOF.
- 3 CONNECTED TO THE FRONT SIDE OF SATELLITE PREP PLATE, CONNECTION LABELED "TO SATELLITE RECEIVER OUTPUT".
- 2 CABLE ROUTED IN SIDEWALL.
- 1 CONNECTED TO THE REAR SIDE OF SATELLITE PREP PLATE, CONNECTION LABELED "TO SATELLITE RECEIVER OUTPUT".

NOTES:

- (ILY) TV-15" CLR,LCD,REMOTE,REAR
- (265) CODES/STANDARDS-CSA/CMVSS
- (1B1) CODES/STANDARDS USA

FIRST USED	08 524 DL	
TITLE:	DO NOT SCALE DRAWING	
	WIRING INSTL-TV/DVD,SIDE	
SHEET 16	PART NO	160324
	REV	