



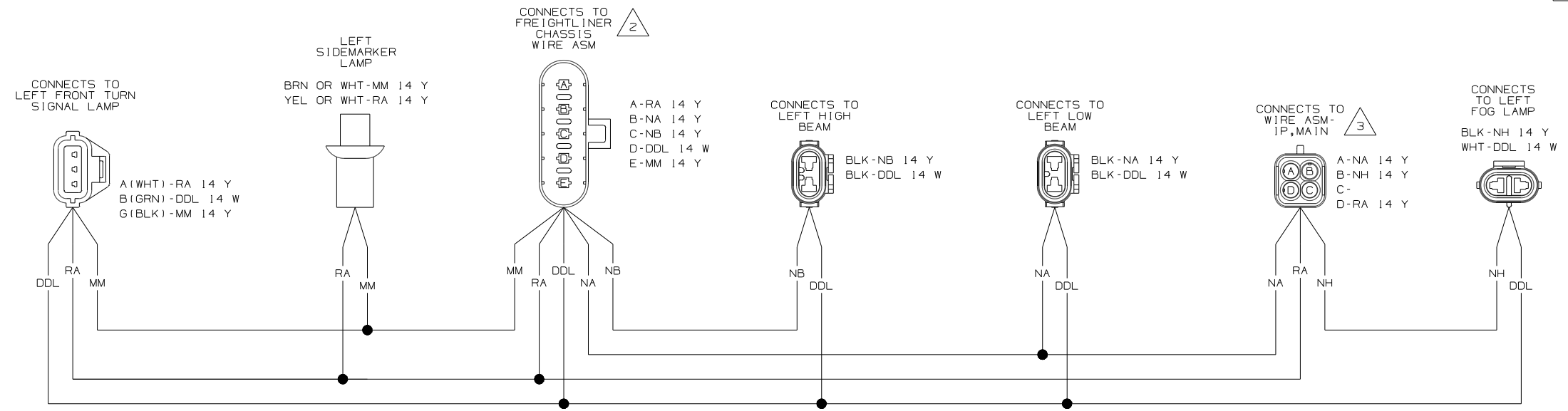
DANGER

Danger of electrical shock, burns or death. Always remove all power sources before attempting any repair, service or diagnostic work. Power can be present from shore power, generator, inverter or battery. All power sources must be disabled and secured before performing any service.

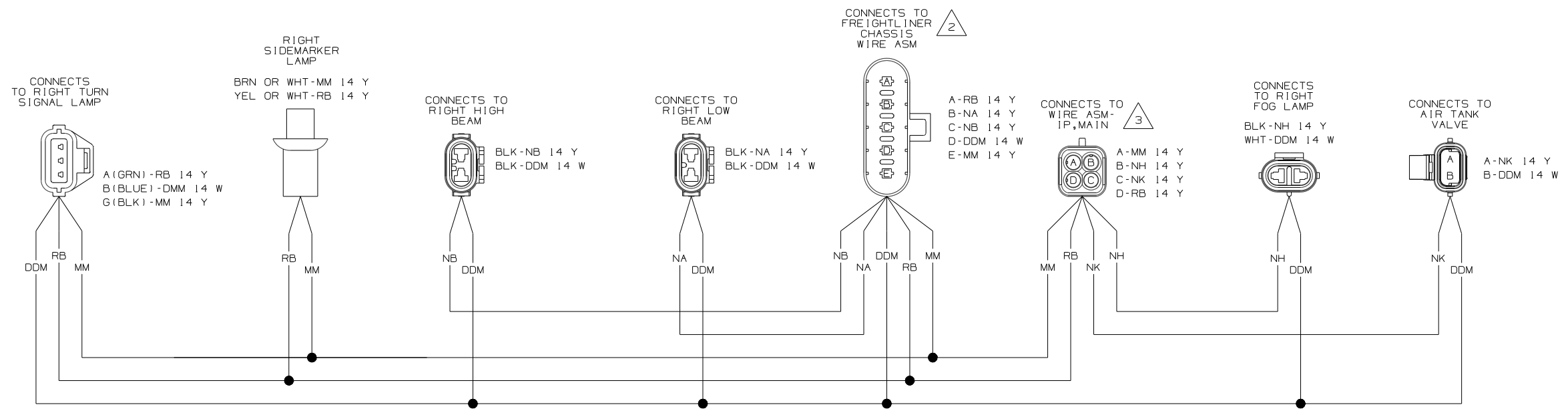


CAUTION

If you lack the skills, tools or equipment to perform diagnostic or repair work leave such work to an authorized Winnebago Industries dealer or other qualified shop.



WIRING DIAGRAM-HEADLAMP
(WIRE ASM 146086-15 REV-U)
(FREIGHTLINER)

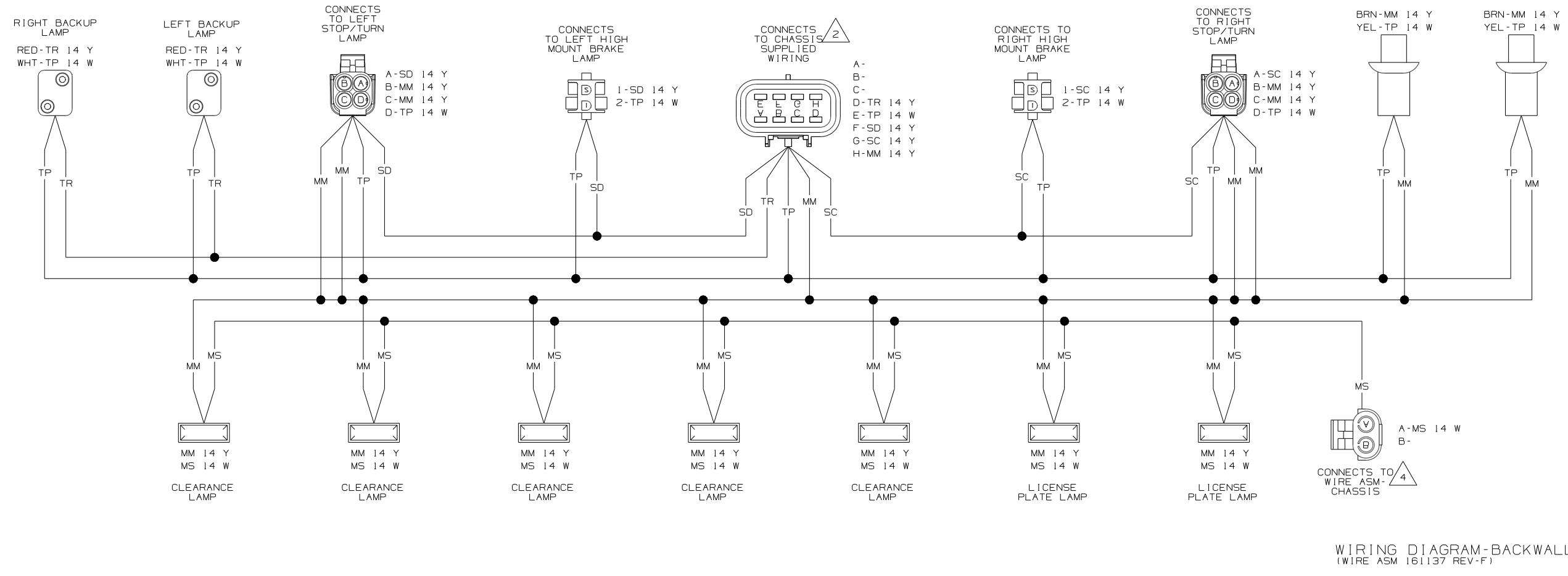


WIRING DIAGRAM-HEADLAMP
(WIRE ASM 146086-16 REV-U)
(FREIGHTLINER)

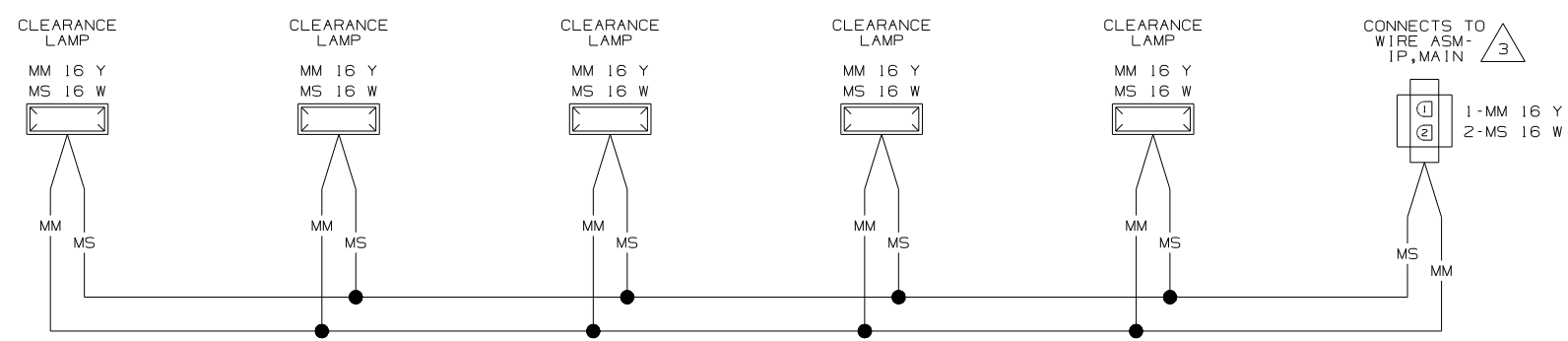
- 3 SEE WIRING DIAGRAM-AUTO FOR ADDITIONAL INFORMATION.
- 2 SEE MANUFACTURERS DIAGRAM FOR ADDITIONAL INFORMATION.
1. SPLICES ARE THEORETICAL AND MAY DIFFER IN THE HARNESS.

NOTES:

WINNEBAGO		COPYRIGHT 2006 WINNEBAGO INDUSTRIES, INC.	
DFTR	ORIG. DATE	ALL DIMENSIONS ARE IN MILLIMETERS	
CHKR		MATERIAL:	
P.E.		WHOLE DIM (X)	:
M.E.	FIRST USED	ONE-PLACE (X.X)	:
DSNR	09 M-SERIES	TWO-PLACE (X.XX)	:
UNSPECIFIED TOLERANCES ARE:		ANGLE	:
		THIRD ANGLE PROJECTION	
DO NOT SCALE DRAWING			
TITLE: WIRING DIAGRAM-AUTO LAMPS			
SHEET 1 of 4	PART NO	165911	REV
REF:		1 3/19/2008	



WIRING DIAGRAM-BACKWALL,FL
(WIRE ASM 161137 REV-F)

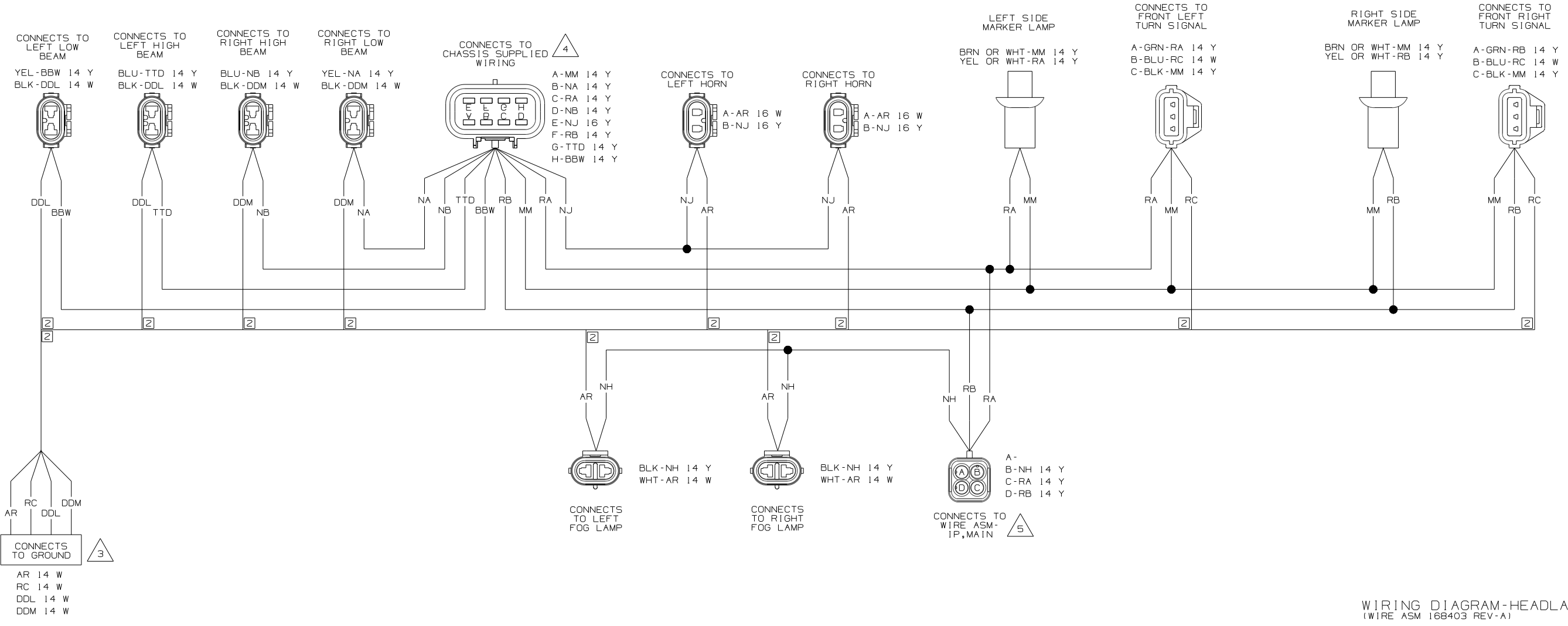


WIRING DIAGRAM-CLEARANCE LAMPS
(WIRE ASM 129943 REV-D)

- △ 4 SEE WIRING DIAGRAM-BODY,12V FOR ADDITIONAL INFORMATION.
- △ 3 SEE WIRING DIAGRAM-AUTO FOR ADDITIONAL INFORMATION.
- △ 2 SEE MANUFACTURERS DIAGRAM FOR ADDITIONAL INFORMATION.

NOTES:
1. SPLICES ARE THEORETICAL AND MAY DIFFER IN THE HARNESS.

FIRST USED	09 M-SERIES		
TITLE:	DO NOT SCALE DRAWING		
	WIRING DIAGRAM-AUTO LAMPS		
SHEET 2	PART NO	165911	REV

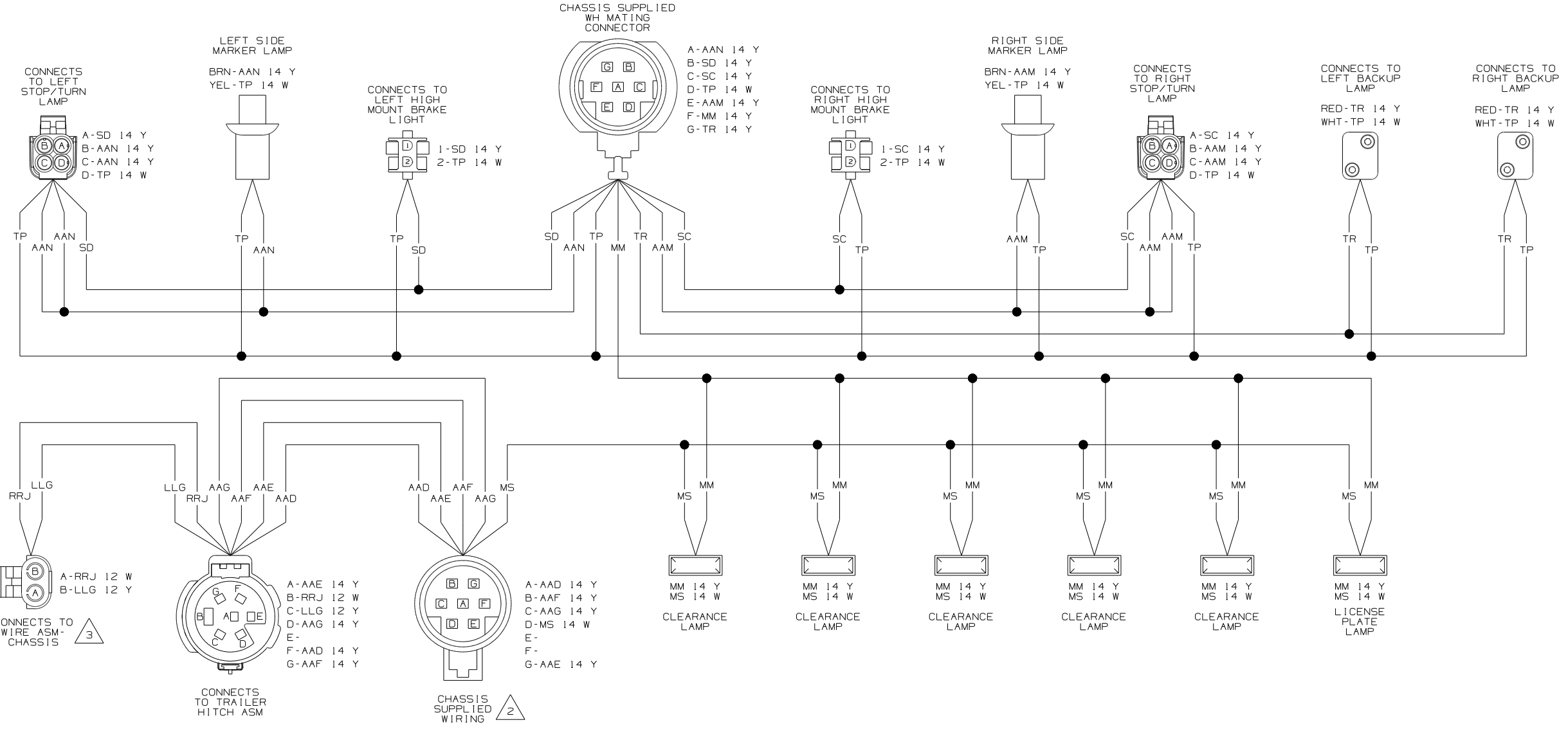


WIRING DIAGRAM-HEADLAMPS
(WIRE ASM 168403 REV-A)

- 5 SEE WIRING DIAGRAM-AUTO FOR ADDITIONAL INFORMATION.
 - 4 SEE MANUFACTURERS DIAGRAM FOR ADDITIONAL INFORMATION.
 - 3 GROUNDS ARE SHOWN AS A SINGLE LINE FOR EASE IN TRACING. EACH GROUND CIRCUIT IS SEPERATE IN THE HARNESS.
 - 2 NOT A SPLICE POINT. INDICATES ENTRY INTO WIRING HARNESS.
1. SPLICES ARE THEORETICAL AND MAY DIFFER IN THE HARNESS.

NOTES:

FIRST USED	09 M-SERIES		
TITLE:	DO NOT SCALE DRAWING		
	WIRING DIAGRAM-AUTO LAMPS		
SHEET 3	PART NO	165911	REV



WIRING DIAGRAM-BACKWALL (WIRE ASM 161137-02 REV-F)

3 SEE WIRING DIAGRAM-BODY, 12V FOR ADDITIONAL INFORMATION.

2 SEE MANUFACTURERS DIAGRAM FOR ADDITIONAL INFORMATION.

1. SPLICES ARE THEORETICAL AND MAY DIFFER IN THE HARNESS.

NOTES:

FIRST USED	09 M-SERIES	
TITLE:	DO NOT SCALE DRAWING	
	WIRING DIAGRAM-AUTO LAMPS	
SHEET 4	PART NO 165911	REV