



DANGER

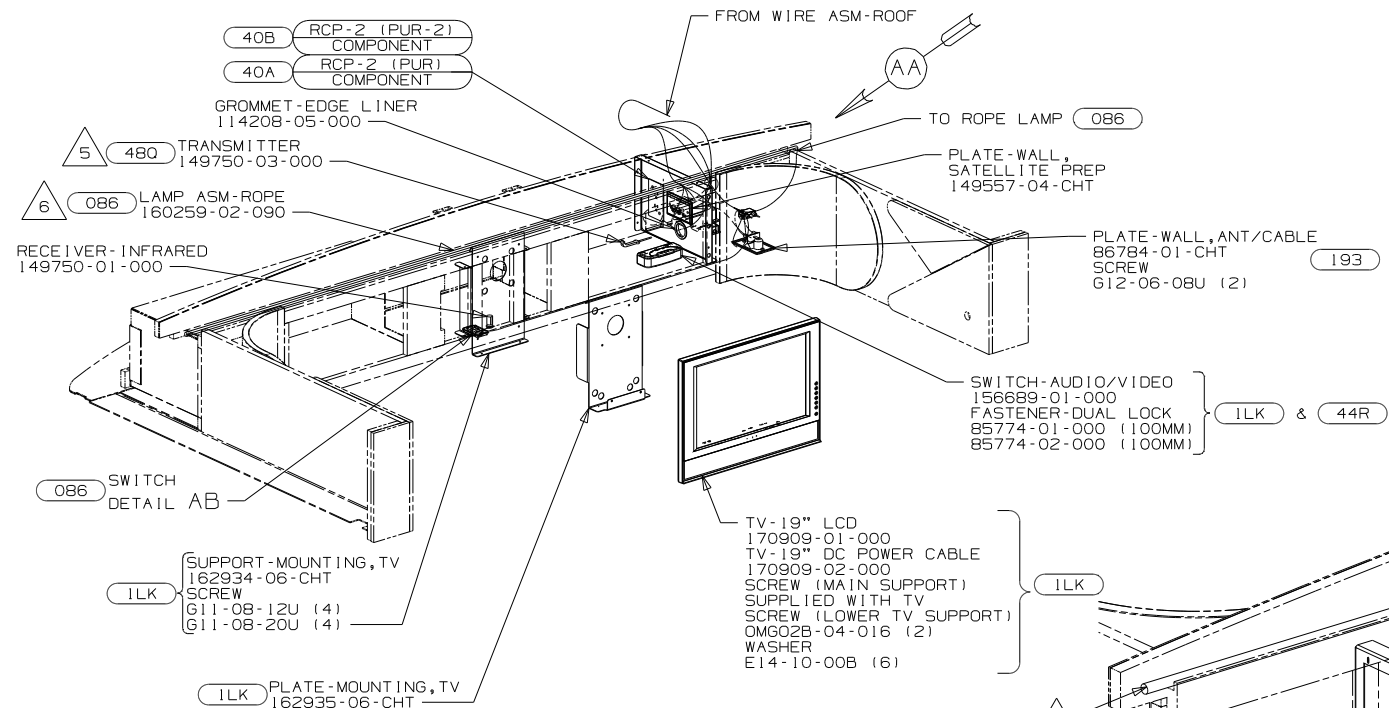
Danger of electrical shock, burns or death. Always remove all power sources before attempting any repair, service or diagnostic work. Power can be present from shore power, generator, inverter or battery. All power sources must be disabled and secured before performing any service.



CAUTION

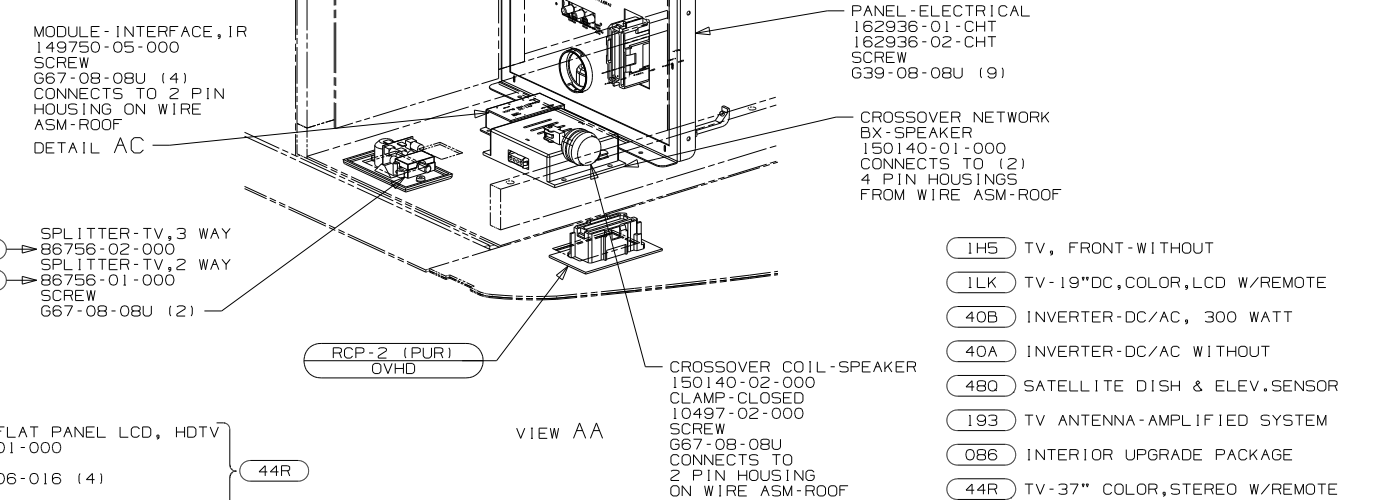
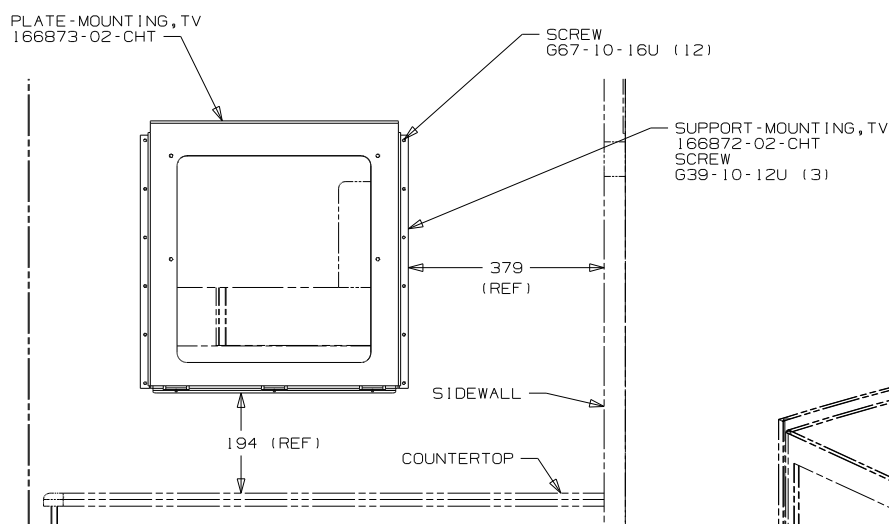
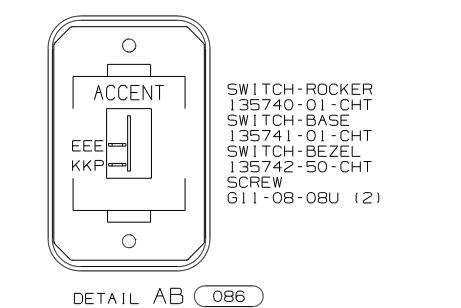
If you lack the skills, tools or equipment to perform diagnostic or repair work leave such work to an authorized Winnebago Industries dealer or other qualified shop.

DRAWING NO.	MODEL	SHEET
166268-01	D31E	1, 17
166268-02	D37L	2, 27
166268-03	J32H	3, 15, 23
166268-04	J38N	4, 15, 23
166268-05	K32H	5, 15
166268-06	K35P	6, 15
166268-07	K38T	7, 15
166268-08	M37G, M39W	8, 15, 21
166268-09	P37H, P39W	9, 15, 25, 26
166268-10	R40FD	10, 18
166268-11	R40TD	11, 18
166268-12	R40WD	12, 18, 19
166268-13	S40TD	13, 16
166268-14	S40WD	14, 20, 24
166268-15	P34Y	15, 22, 25
166268-16	M39N	26, 28, 29

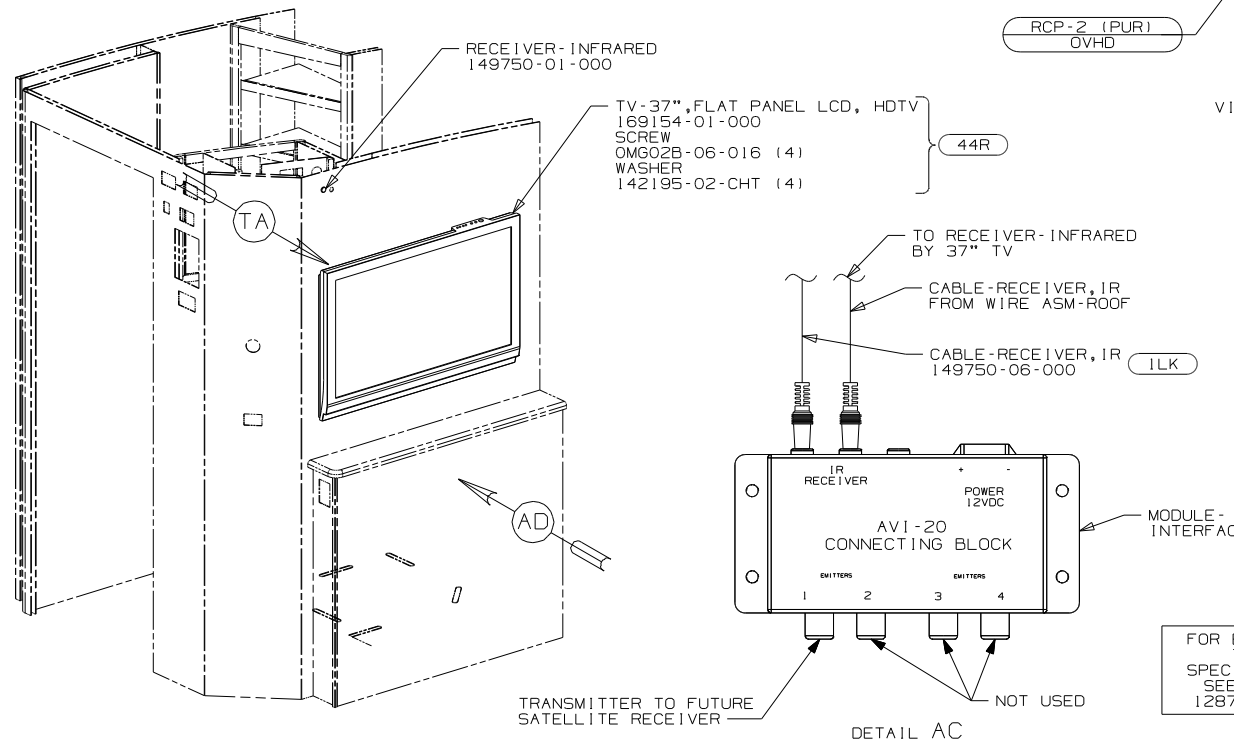


RELEASE REV/DATE A 166268

REV ZONE REVISION RECORD DATE DFR-016



- NOTES:
- 110V WIRE TO BE CLAMPED WITH CLAMP 10497-05-000 WITHIN 200MM OF OUTLET BOXES, USE SCREW 667-10-12B.
 - ALL WIRES TO BE SECURED WITH CLAMP 10495-01-000 OR CLIP 80734-01-000 EVERY 600MM. USE SCREW 667-10-12B UNLESS OTHERWISE SPECIFIED.
 - WHERE WIRES PASS THROUGH HOLES IN STEEL AND NOT OTHERWISE PROTECTED, USE GROMMET 92908-02-000.
 - PLACE CONNECTOR HERE TO MAKE CONNECTION TO WIRE ASM. USE CONNECTOR 58028-01-000 (2).
 - ROUTE TRANSMITTER THROUGH GROMMET AND COIL FOR FUTURE USE.
 - SNAP ROPE LAMP IN CHANNELS ON OVERHEAD CABINETS.
 - MOUNT BRACKET TO TV BEFORE ATTACHING TO WALLMOUNT.



FOR ELECTRICAL TORQUE SPECIFICATIONS SEE DWG NO. 128783-01-000

FOR ELECTRICAL CALLOUTS SEE DWG NO. 121339-01-000

1B1 265 D31E

WINNEBAGO COPYRIGHT 2009 WINNEBAGO INDUSTRIES, INC.

DFTR	ORIG. DATE
CHKR	ALL DIMENSIONS ARE IN MILLIMETERS
P.E.	FIRST USED
M.E.	09 A-BODIES
DSNR	

UNSPECIFIED TOLERANCES ARE: MATERIAL:

WHOLE DIM (X)	: 3
ONE-PLACE (X.X)	: 1.5
TWO-PLACE (X.XX)	: 0.50
ANGLE	: 1°

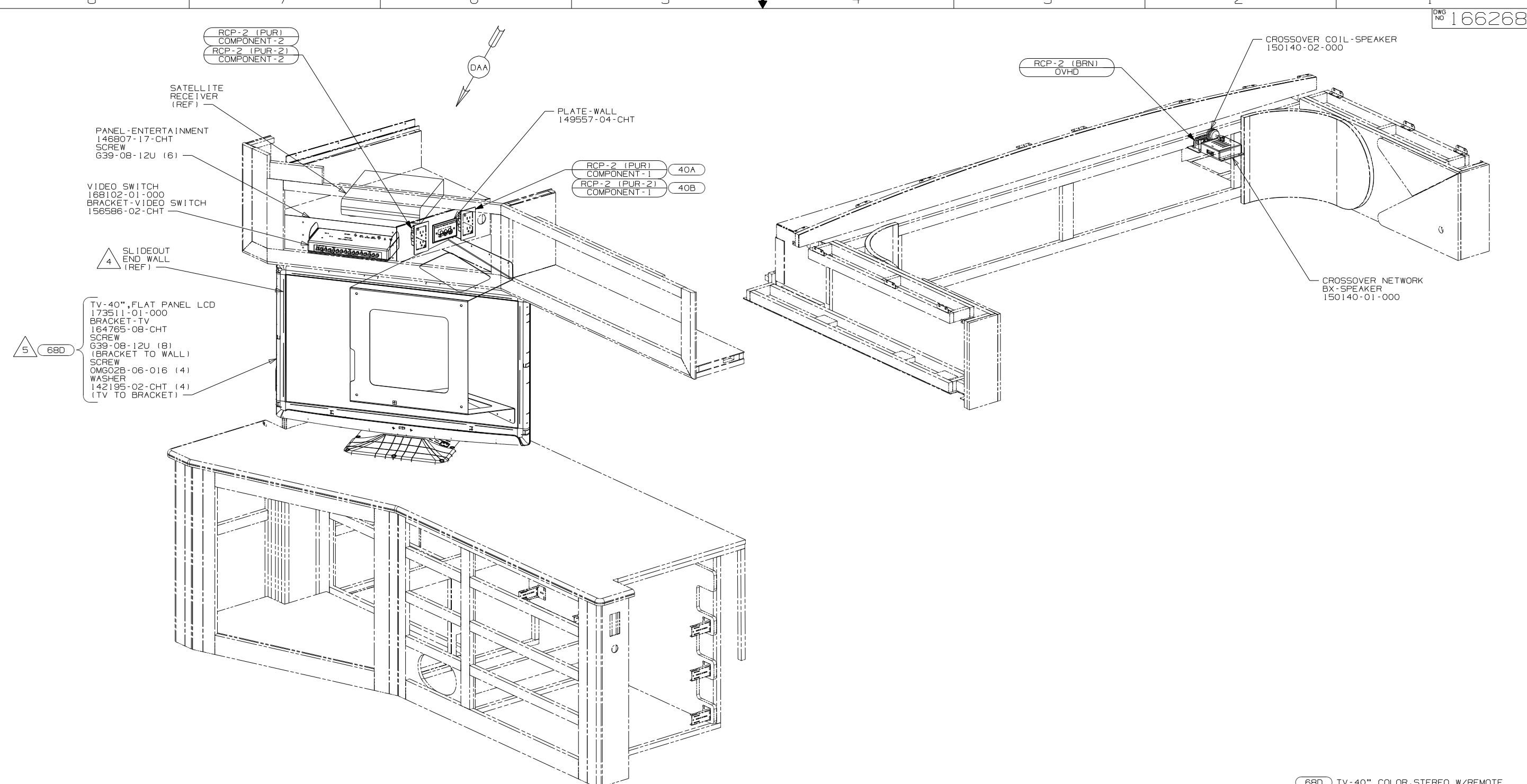
THIRD ANGLE PROJECTION

DO NOT SCALE DRAWING

TITLE: WIRING INSTL-TV/DVD,SIDE

SHEET 1 OF 29 PART NO. 166268 REV

REF: 1 5/1/2009



- 5 MOUNT BRACKET TO TV BEFORE ATTACHING TO WALLMOUNT.
- 4 PLACE TV NEXT TO SLIDEOUT END WALL.

3. WHERE WIRES PASS THROUGH HOLES IN STEEL AND NOT OTHERWISE PROTECTED, USE GROMMET 92908-02-000.
2. ALL WIRES TO BE SECURED WITH CLAMP 10495-01-000 OR CLIP 80734-01-000 EVERY 600MM. USE SCREW 667-10-12B UNLESS OTHERWISE SPECIFIED.
1. 110V WIRE TO BE CLAMPED WITH CLAMP 10497-05-000 WITHIN 200MM OF OUTLET BOXES, USE SCREW 667-10-12B.

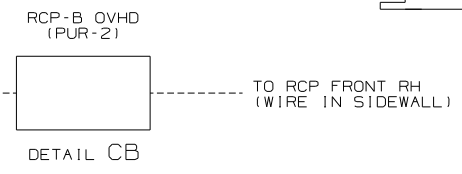
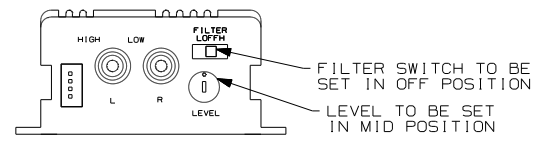
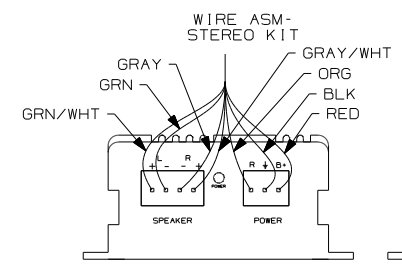
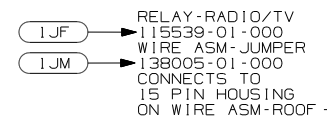
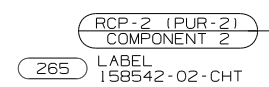
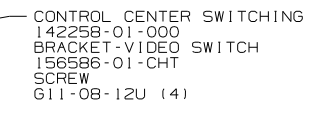
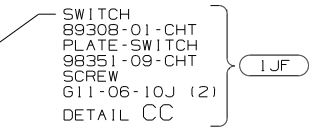
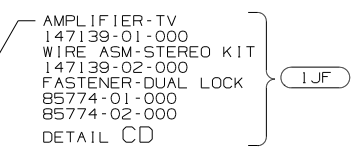
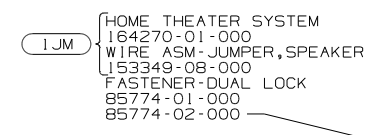
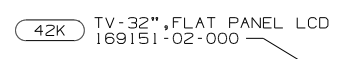
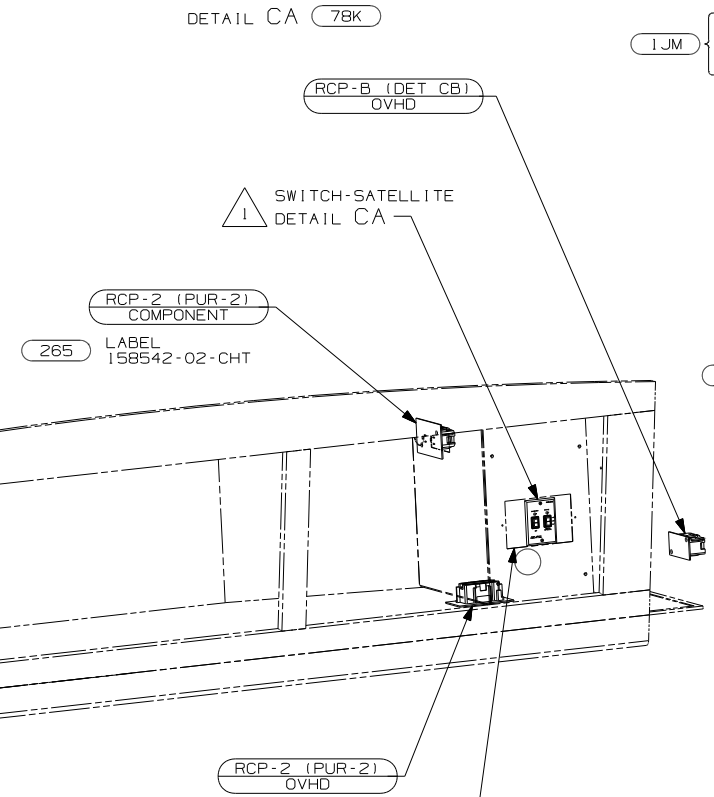
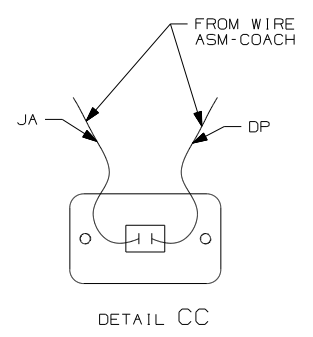
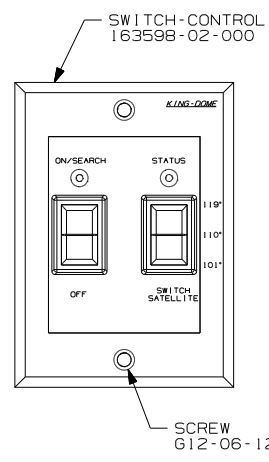
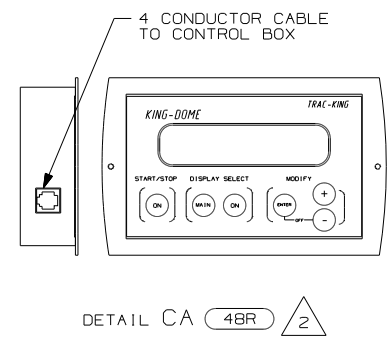
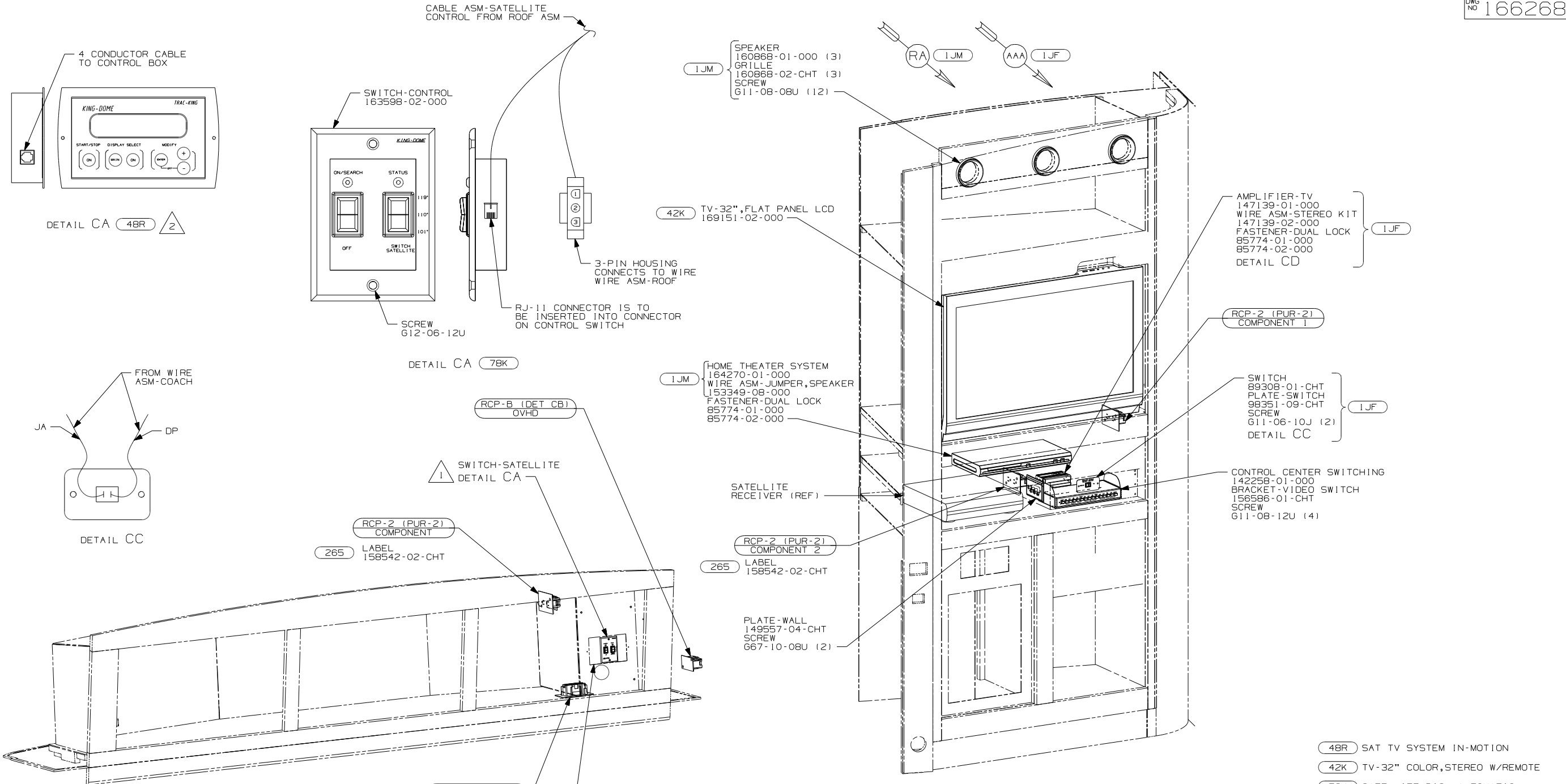
NOTES:

- 68D TV-40" COLOR, STEREO W/REMOTE
- 40D INVERTER-DC/AC, 600 WATT
- 40A INVERTER-DC/AC WITHOUT
- 265 CODES/STANDARDS-CSA/CMVSS
- 1B1 CODES/STANDARDS USA

1B1	265	D37L
FIRST USED		
09 A-BODIES		
DO NOT SCALE DRAWING		
TITLE:		
WIRING INSTL-TV/DVD, SIDE		
SHEET 2	PART NO	166268
		REV

FOR ELECTRICAL TORQUE SPECIFICATIONS SEE DWG NO. 128783-01-000

FOR ELECTRICAL CALLOUTS SEE DWG NO. 121339-01-000



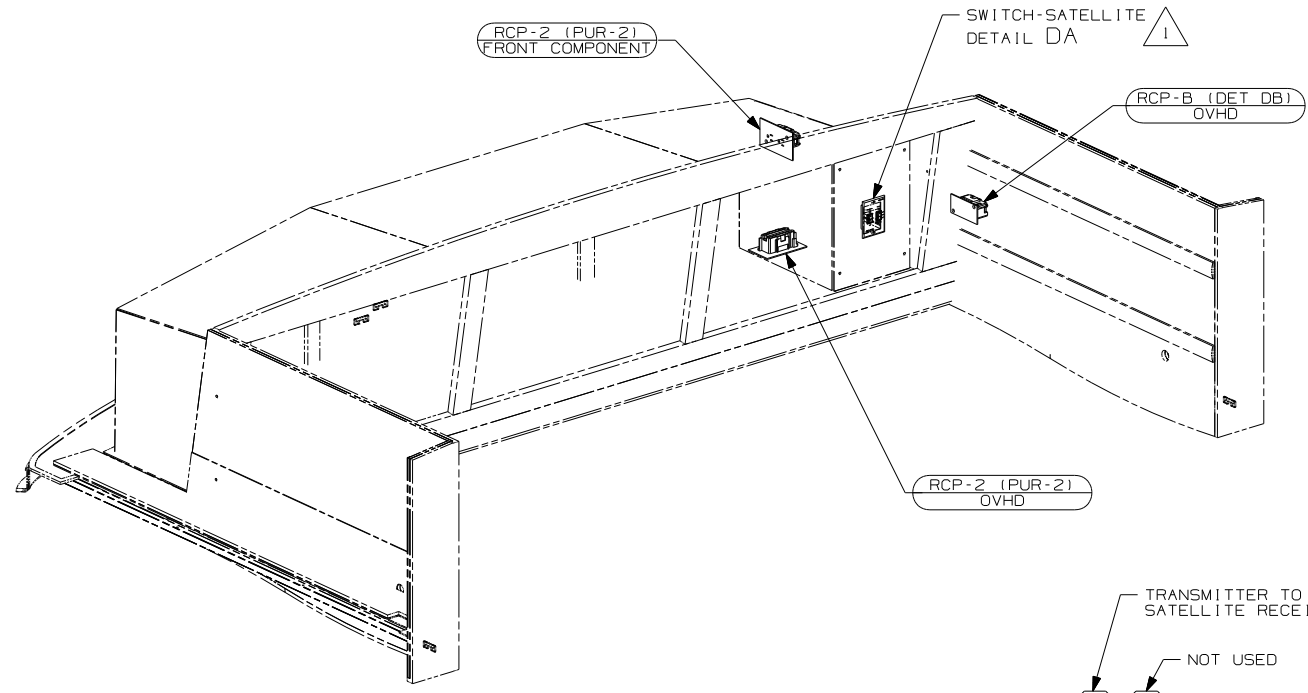
NOTES:
 2 PARTS ARE SUPPLIED WITH SATELLITE KIT 154474-02-000.
 1 SEE ROOF ASM FOR ADDITIONAL INFORMATION.

FOR ELECTRICAL TORQUE SPECIFICATIONS SEE DWG NO. 128783-01-000

FOR ELECTRICAL CALLOUTS SEE DWG NO. 121339-01-000

- 48R SAT TV SYSTEM IN-MOTION
- 42K TV-32" COLOR, STEREO W/REMOTE
- 78K SATELLITE DISH-AUTOMATIC
- 25F DIGITAL VIDEO DISC PLAYER
- 1JM HOME THEATER SOUND SYSTEM
- 1JF HOME THEATER SYS-WITHOUT
- 79H ENTERTAINMENT CTR-INTERIOR
- 265 CODES/STANDARDS-CSA/CMVSS
- 1B1 CODES/STANDARDS USA

FIRST USED		J32H	
09 A-BODIES			
DO NOT SCALE DRAWING			
TITLE: WIRING INSTL-TV/DVD, SIDE			
SHEET 3	PART NO	166268	REV



- HOME THEATER SYSTEM
164270-01-000
WIRE ASM-JUMPER, SPEAKER
153349-08-000
FASTENER-DUAL LOCK
85774-01-000
85774-02-000

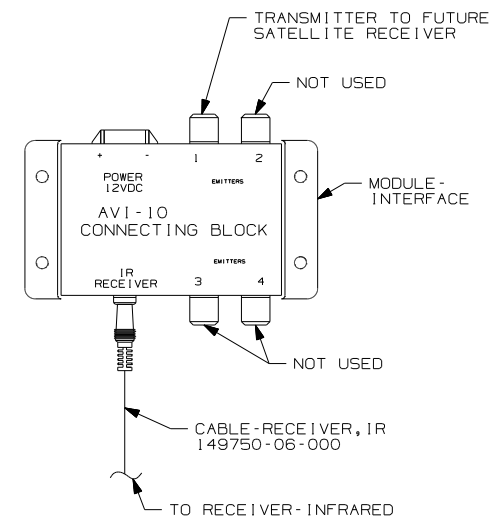
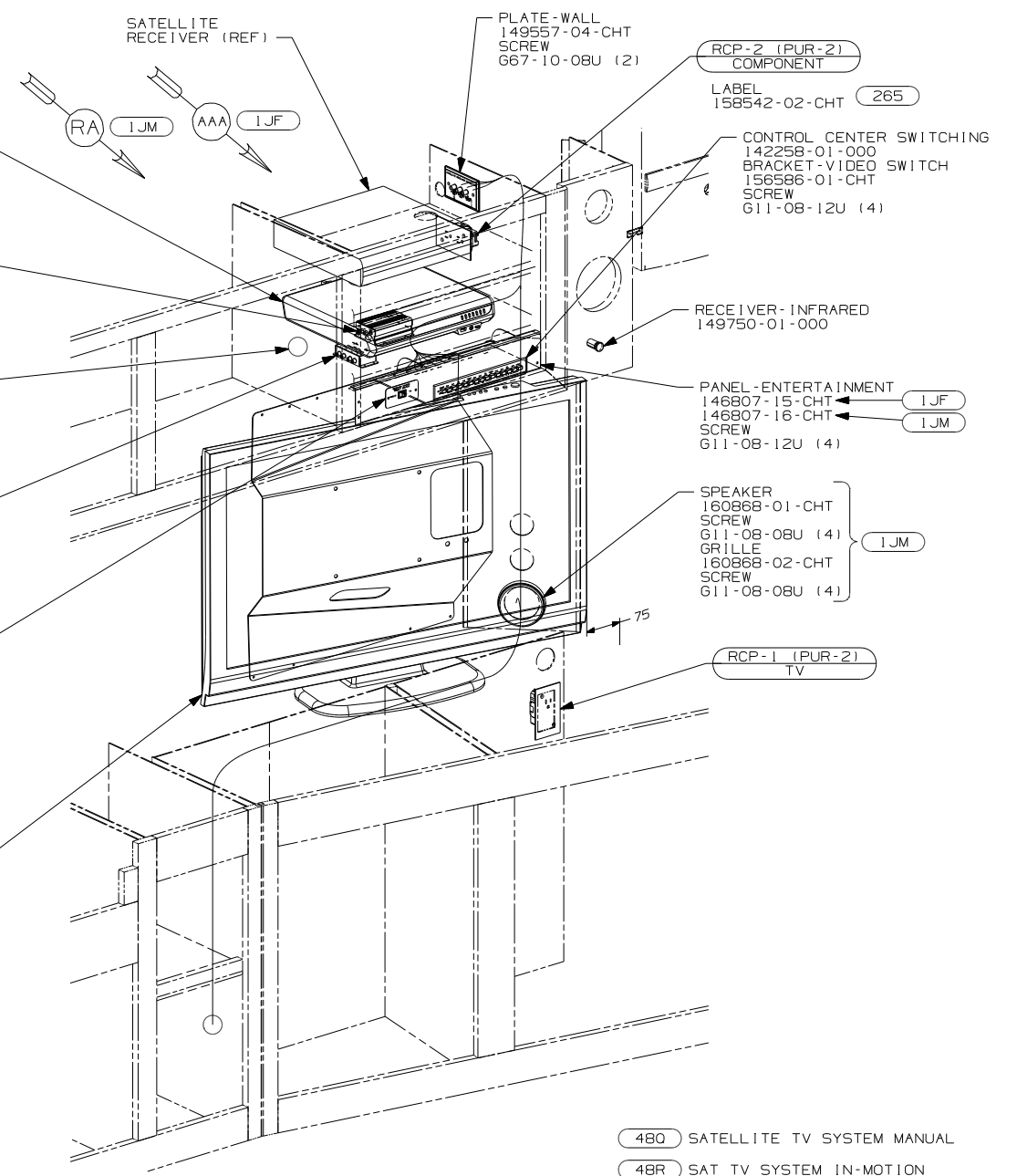
- AMPLIFIER-TV
147139-01-000
WIRE ASM-STEREO KIT
147139-02-000
FASTENER-DUAL LOCK
85774-01-000
85774-02-000
DETAIL DD

- RELAY-RADIO/TV
115539-01-000
WIRE ASM-JUMPER
138005-01-000
CONNECTS TO
15 PIN HOUSING
ON WIRE ASM-
SIDE TV

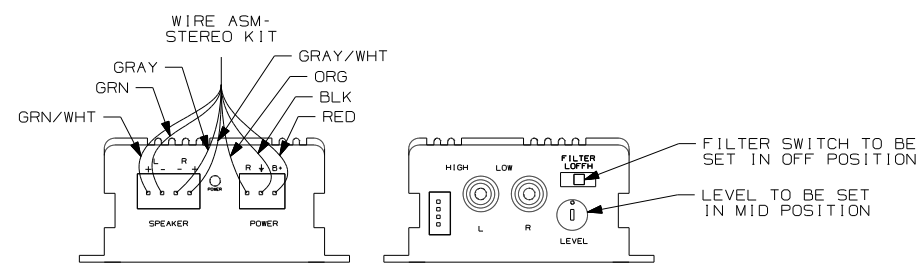
- MODULE-INTERFACE, IR
149750-04-000
SCREW
G67-08-08U (4)
CONNECTS TO 2 PIN
HOUSING ON WIRE
ASM-SIDE TV
DETAIL DE

- SWITCH
89308-01-CHT
PLATE-SWITCH
98351-09-CHT
SCREW
G11-06-10J (2)
DETAIL DC

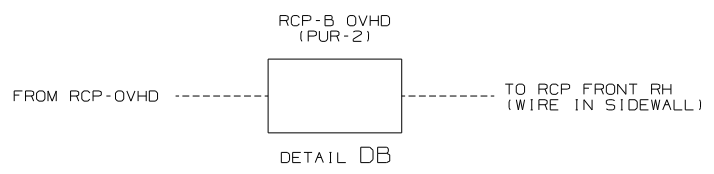
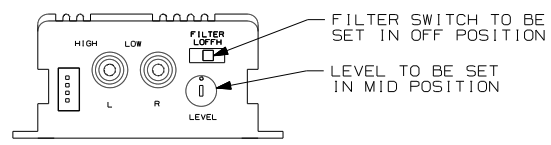
- TV-37", FLAT PANEL LCD
169154-01-000
BRACKET-TV, 37"
164765-03-CHT
SCREW
G39-08-12U (10)
(BRACKET TO WALL)
SCREW
OMG02B-06-016 (4)
WASHER
142195-02-CHT (4)
(TV TO BRACKET)



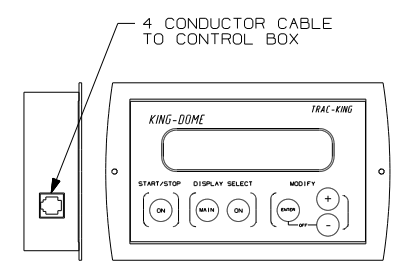
DETAIL DE



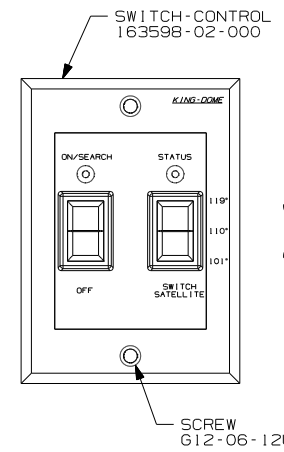
DETAIL DD



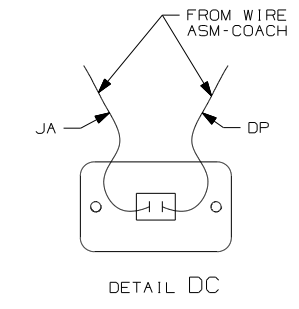
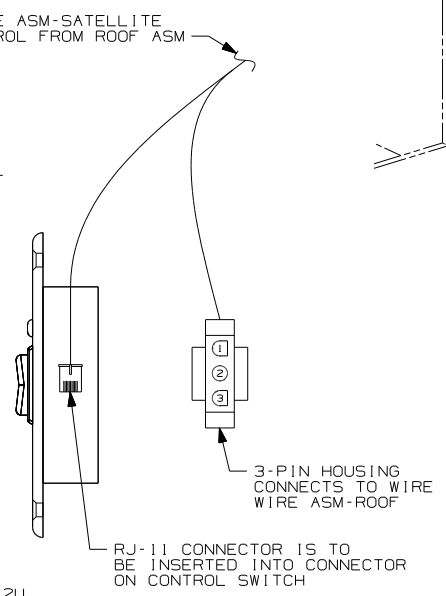
DETAIL DB



DETAIL DA 48R 2



DETAIL DA 78K



DETAIL DC

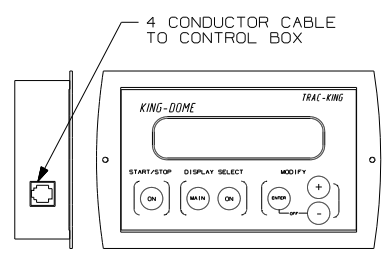
- 480 SATELLITE TV SYSTEM MANUAL
- 48R SAT TV SYSTEM IN-MOTION
- 44R TV-37" COLOR, STEREO W/REMOTE
- 78K SATELLITE DISH-AUTOMATIC
- 25F DIGITAL VIDEO DISC PLAYER
- 1JM HOME THEATER SOUND SYSTEM
- 1JF HOME THEATER SYS-WITHOUT
- 79H ENTERTAINMENT CTR-INTERIOR
- 265 CODES/STANDARDS-CSA/CMVSS
- 1B1 CODES/STANDARDS USA

1B1	265	79H	J38N
FIRST USED			
09 A-BODIES			
DO NOT SCALE DRAWING			
TITLE:			
WIRING INSTL-TV/DVD, SIDE			
SHEET 4	PART NO	166268	REV

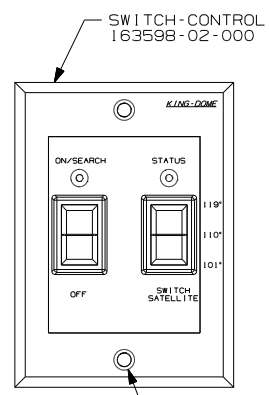
FOR ELECTRICAL TORQUE SPECIFICATIONS SEE DWG NO. 128783-01-000

FOR ELECTRICAL CALLOUTS SEE DWG NO. 121339-01-000

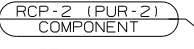
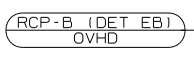
NOTES:
 2 PARTS ARE SUPPLIED WITH SATELLITE KIT 154474-02-000.
 1 SEE ROOF ASM FOR ADDITIONAL INFORMATION.



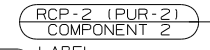
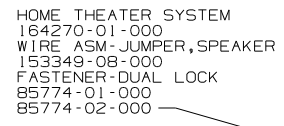
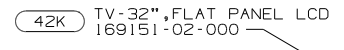
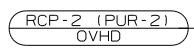
DETAIL EA 48R 2



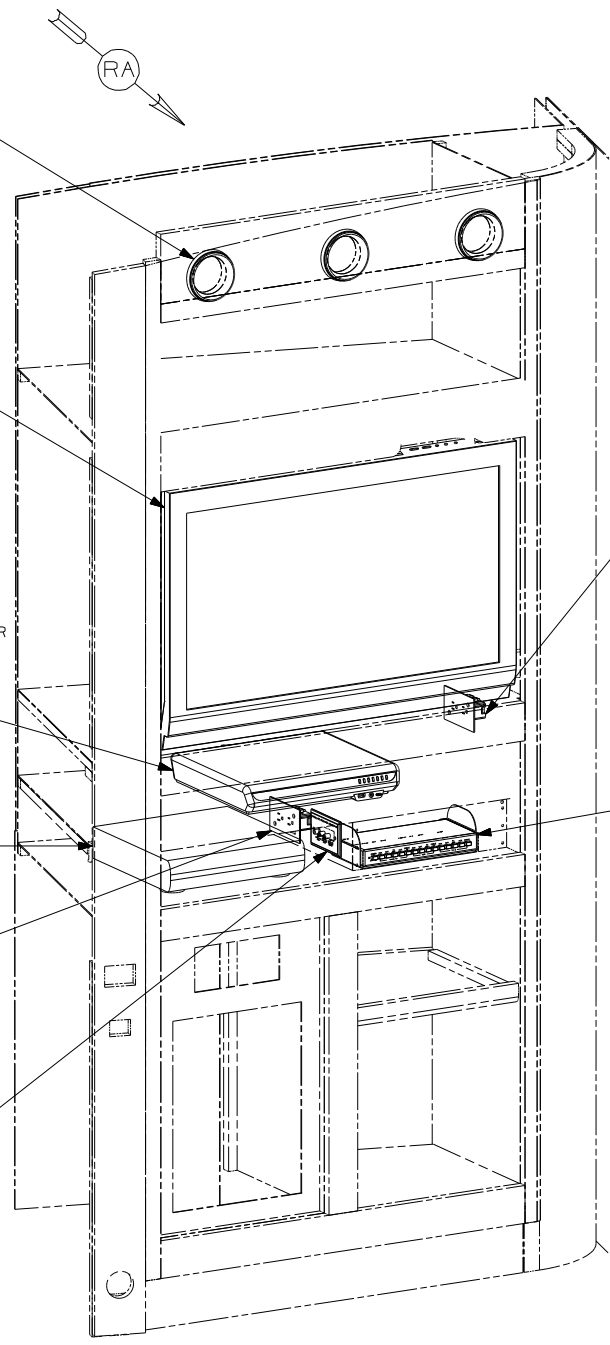
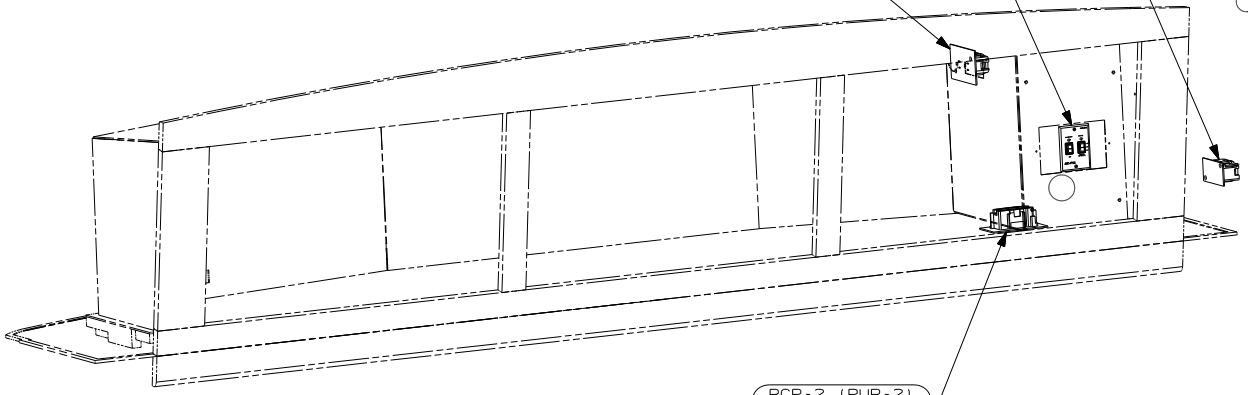
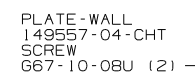
DETAIL EA 78K



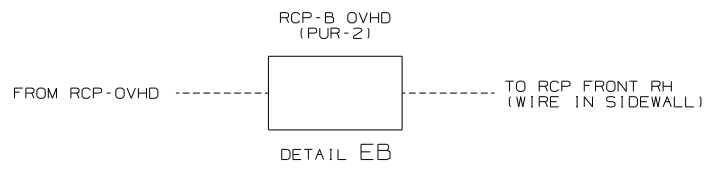
265 LABEL 158542-02-CHT



265 LABEL 158542-02-CHT



NOTES:
 2 PARTS SUPPLIED WITH SATELLITE KIT 154474-02-000.
 1 SEE ROOF ASM FOR ADDITIONAL INFORMATION.



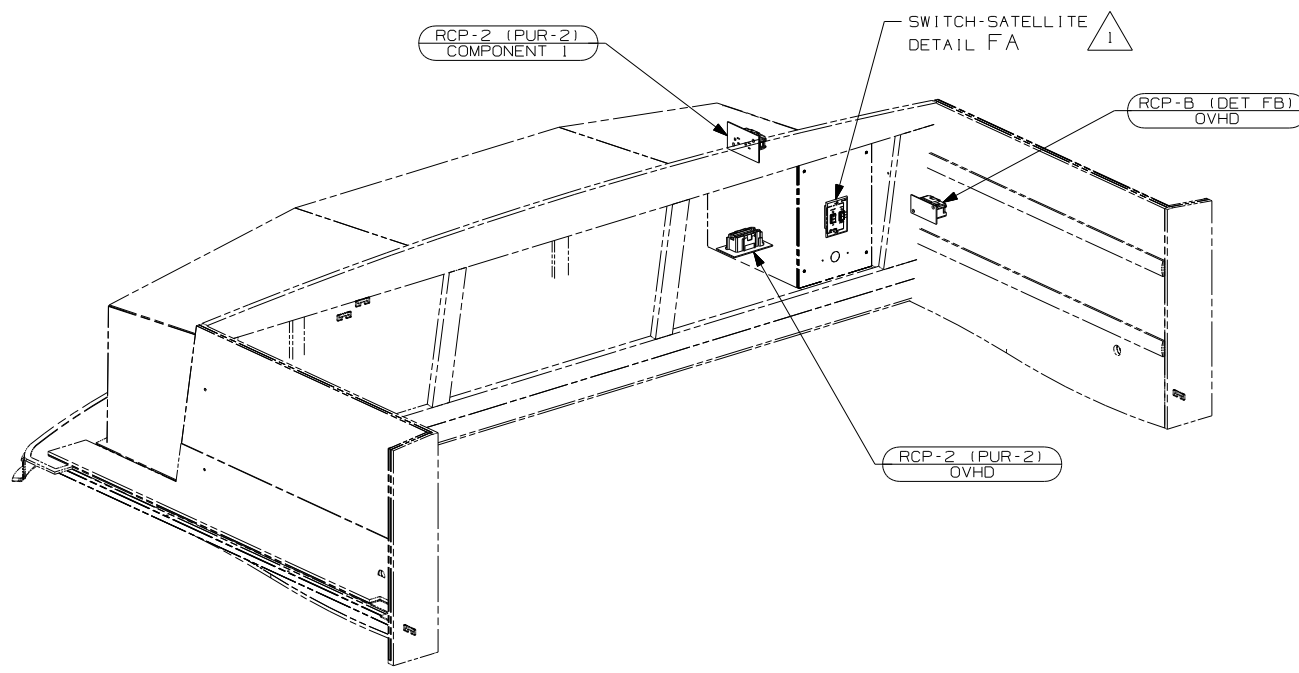
DETAIL EB

FOR ELECTRICAL TORQUE SPECIFICATIONS SEE DWG NO. 128783-01-000

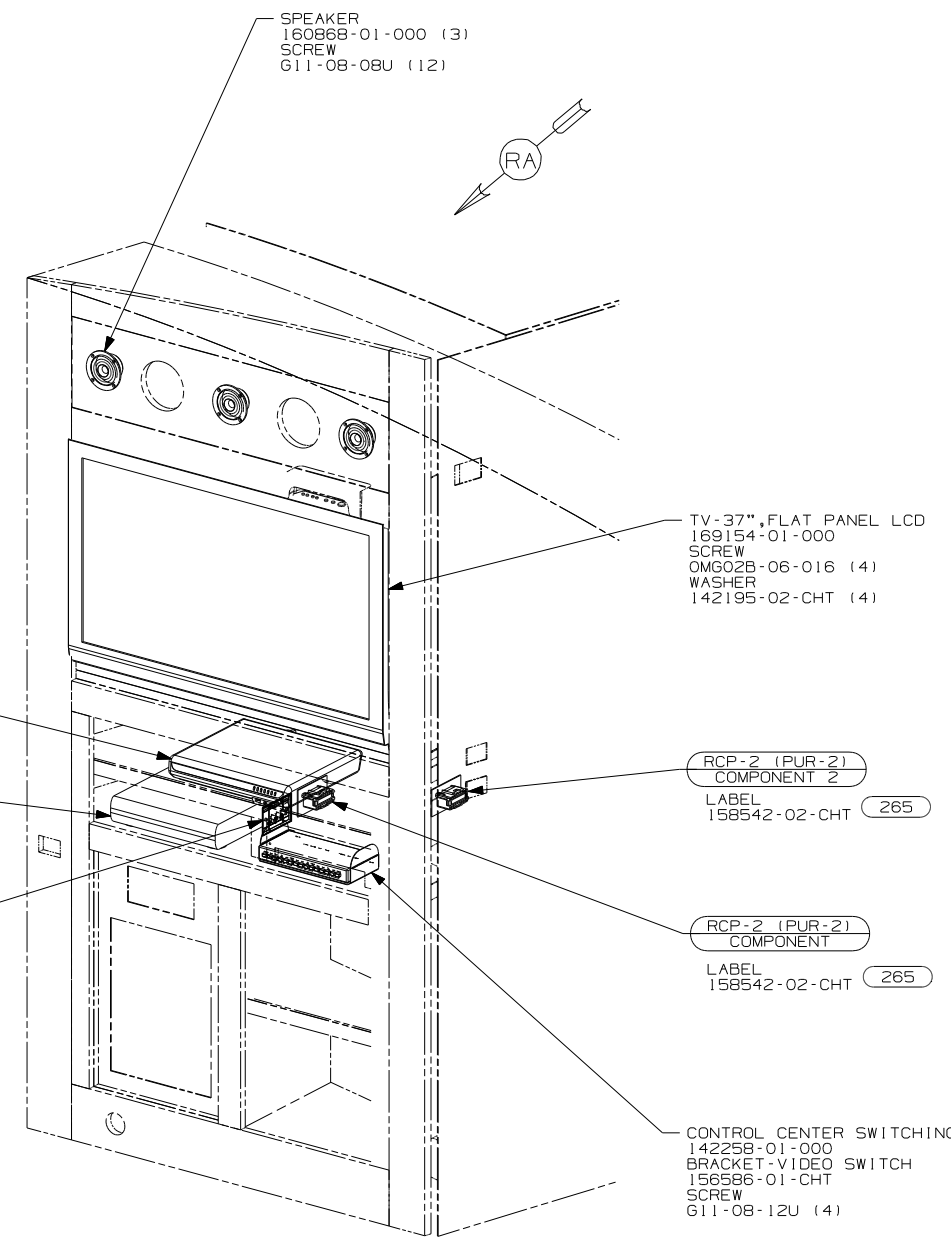
FOR ELECTRICAL CALLOUTS SEE DWG NO. 121339-01-000

- 48R SAT TV SYSTEM IN-MOTION
- 42K TV-32" COLOR, STEREO W/REMOTE
- 78K SATELLITE DISH-AUTOMATIC
- 79H ENTERTAINMENT CTR-INTERIOR
- 265 CODES/STANDARDS-CSA/CMVSS
- 1B1 CODES/STANDARDS USA

1B1	265	79H	K32H
FIRST USED			
09 A-BODIES			
DO NOT SCALE DRAWING			
TITLE:			
WIRING INSTL-TV/DVD, SIDE			
SHEET 5	PART NO	166268	REV

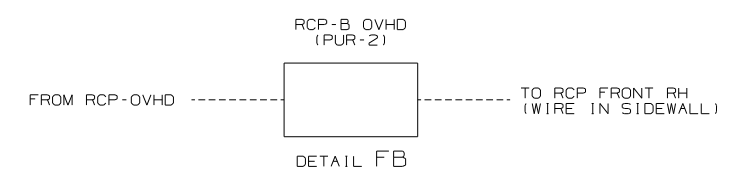
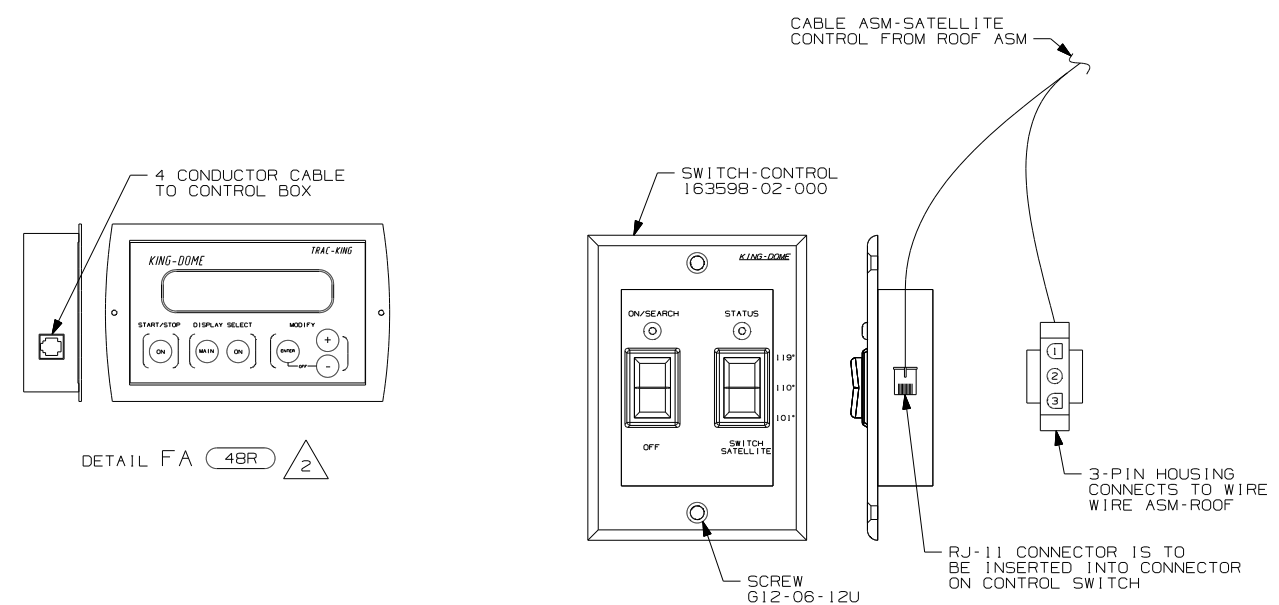


HOME THEATER SYSTEM
 164270-01-000
 WIRE ASM-JUMPER,SPEAKER
 153349-08-000
 FASTENER-DUAL LOCK
 85774-01-000
 85774-02-000



SATELLITE RECEIVER (REF)

PLATE-WALL
 149557-04-CHT
 SCREW
 G67-10-08U (2)



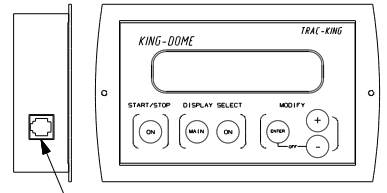
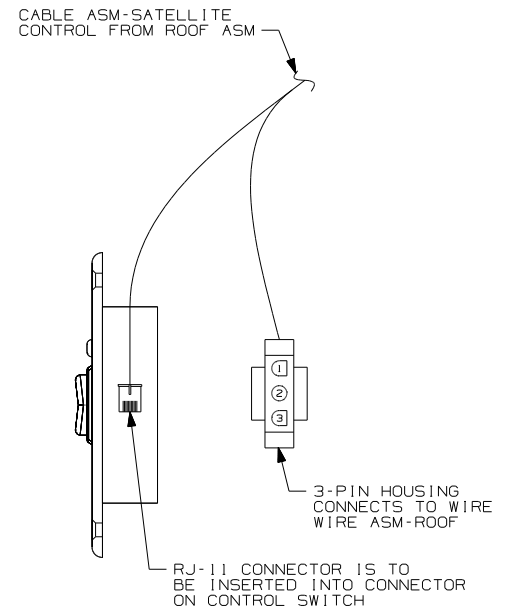
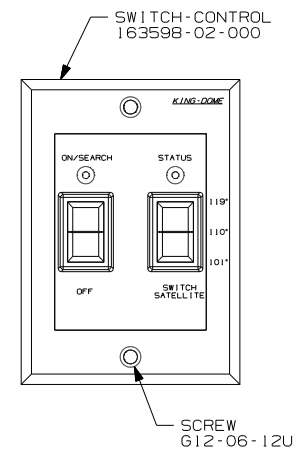
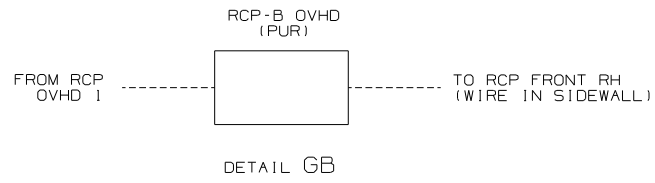
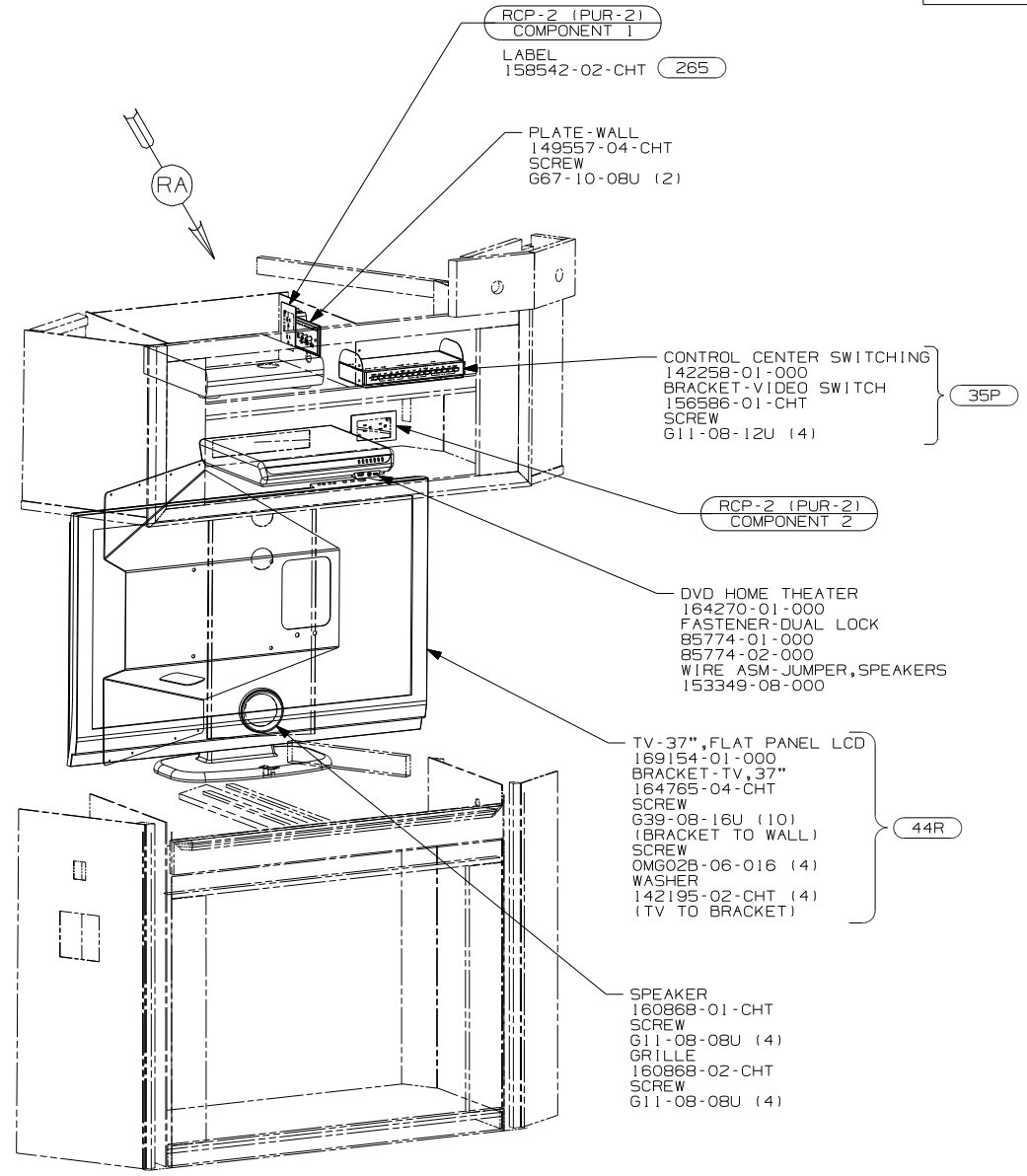
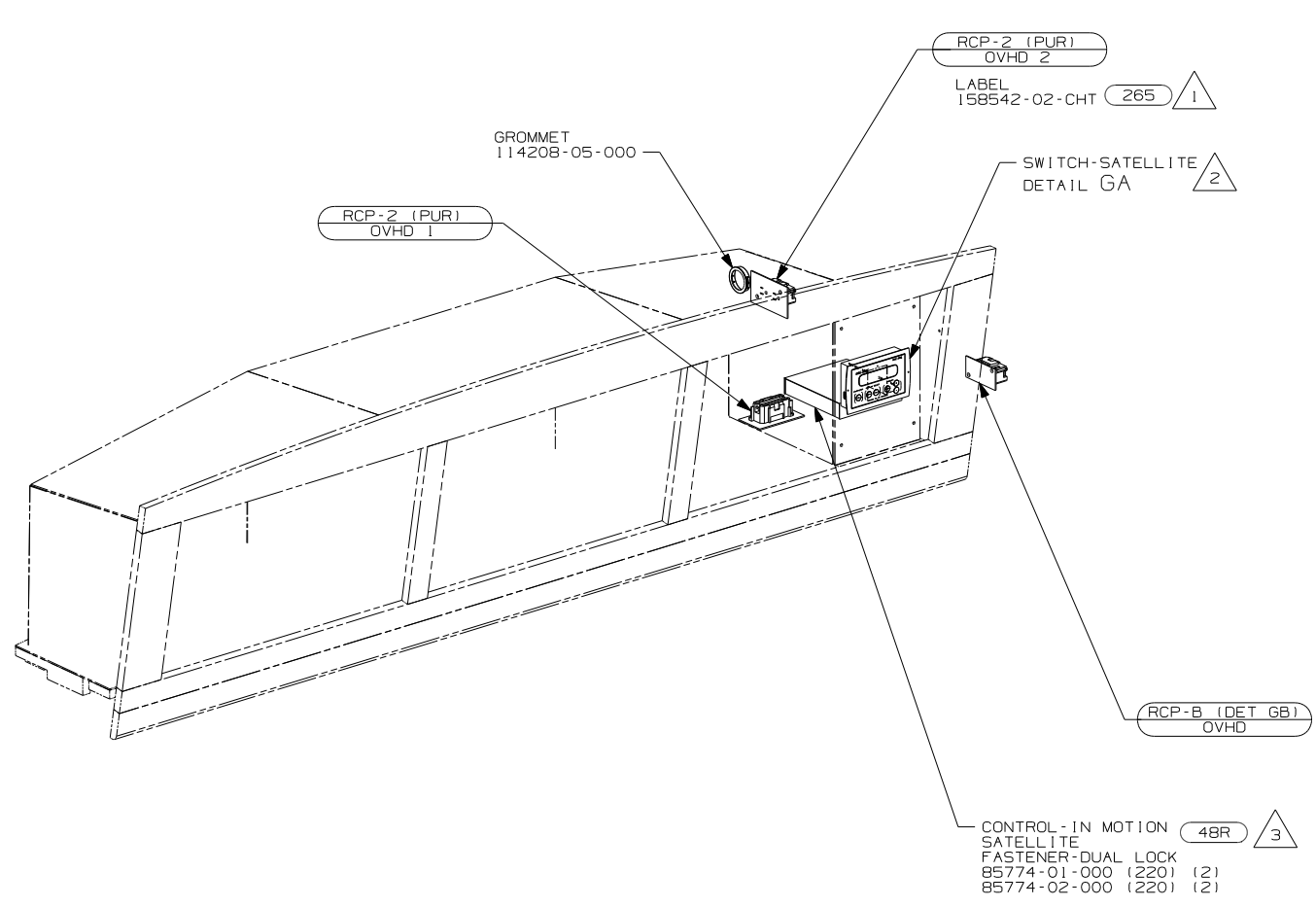
- (48R) SAT TV SYSTEM IN-MOTION
- (44R) TV-37" COLOR, STEREO W/REMOTE
- (78K) SATELLITE DISH-AUTOMATIC
- (79H) ENTERTAINMENT CTR-INTERIOR
- (265) CODES/STANDARDS-CSA/CMVSS
- (1B1) CODES/STANDARDS USA

FIRST USED		K35P	
09 A-BODIES			
DO NOT SCALE DRAWING			
TITLE: WIRING INSTL-TV/DVD, SIDE			
SHEET 6	PART NO	166268	REV

FOR ELECTRICAL TORQUE SPECIFICATIONS SEE DWG NO. 128783-01-000

FOR ELECTRICAL CALLOUTS SEE DWG NO. 121339-01-000

NOTES:
 (2) PARTS SUPPLIED WITH SATELLITE KIT 154474-02-000.
 (1) SEE ROOF ASM FOR ADDITIONAL INFORMATION.



- (480) SATELLITE DISH & ELEV.SENSOR
- (78C) SATELLITE SYSTEM READY
- (78K) SATELLITE DISH-AUTOMATIC
- (48R) SAT SYS IN-MOTION W/O RCVR
- (44R) TV-37" COLOR,STEREO W/REMOTE
- (35P) VIDEO SELECTION SYSTEM
- (79H) ENTERTAINMENT CTR-INTERIOR
- (265) CODES/STANDARDS-CSA/CMVSS
- (1B1) CODES/STANDARDS USA

NOTES:

3 PARTS ARE SUPPLIED WITH SATELLITE KIT 154474-02-000.

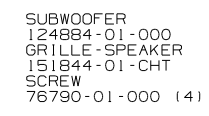
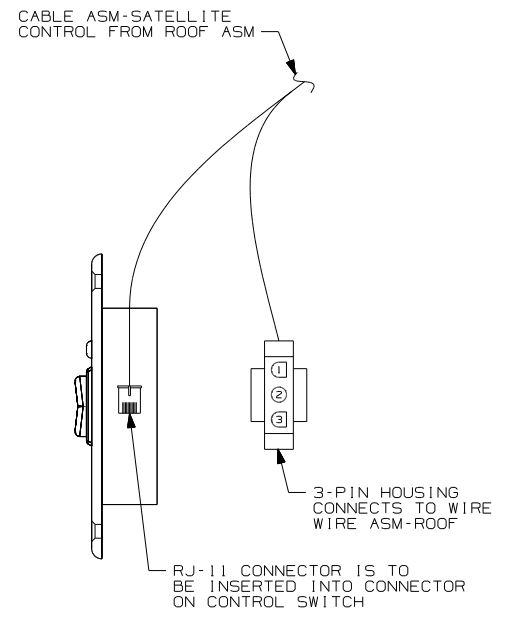
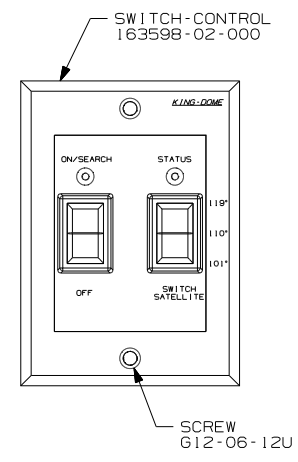
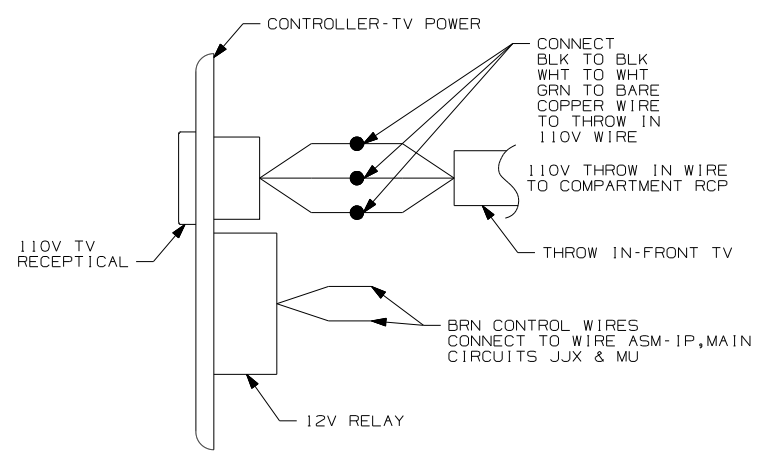
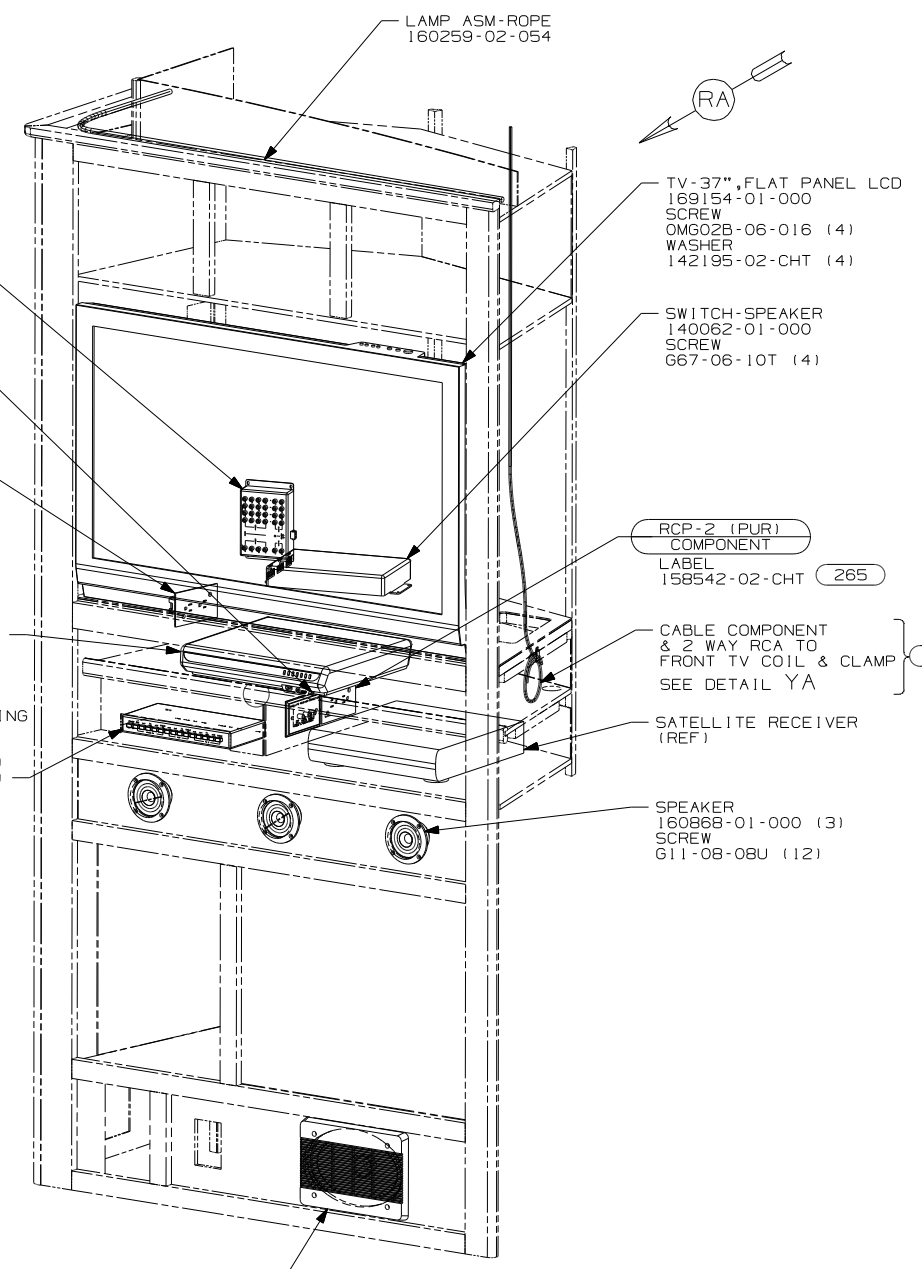
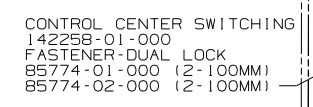
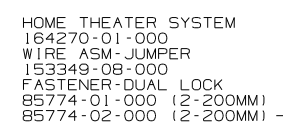
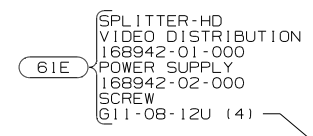
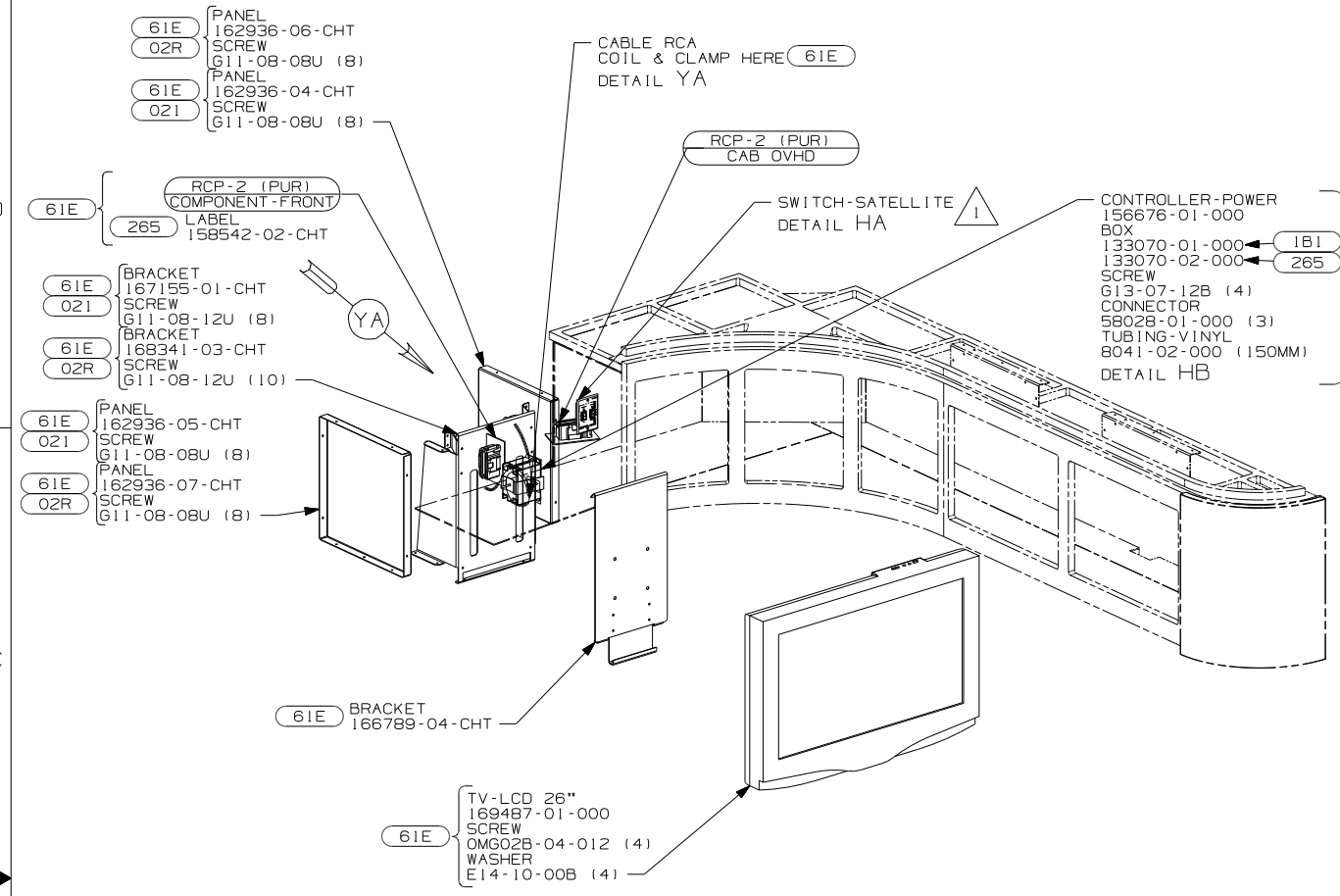
2 SEE ROOF ASM FOR ADDITIONAL INFORMATION.

1 ONLY WITH (78C) OR (480) OR (78K)
NOT USED WITH (48R)

FOR ELECTRICAL TORQUE SPECIFICATIONS SEE DWG NO. 128783-01-000

FOR ELECTRICAL CALLOUTS SEE DWG NO. 121339-01-000

(1B1)	(265)	(79H)	K38T
FIRST USED			
09 A-BODIES			
DO NOT SCALE DRAWING			
TITLE:			
WIRING INSTL-TV/DVD,SIDE			
SHEET 7	PART NO	166268	
REV			



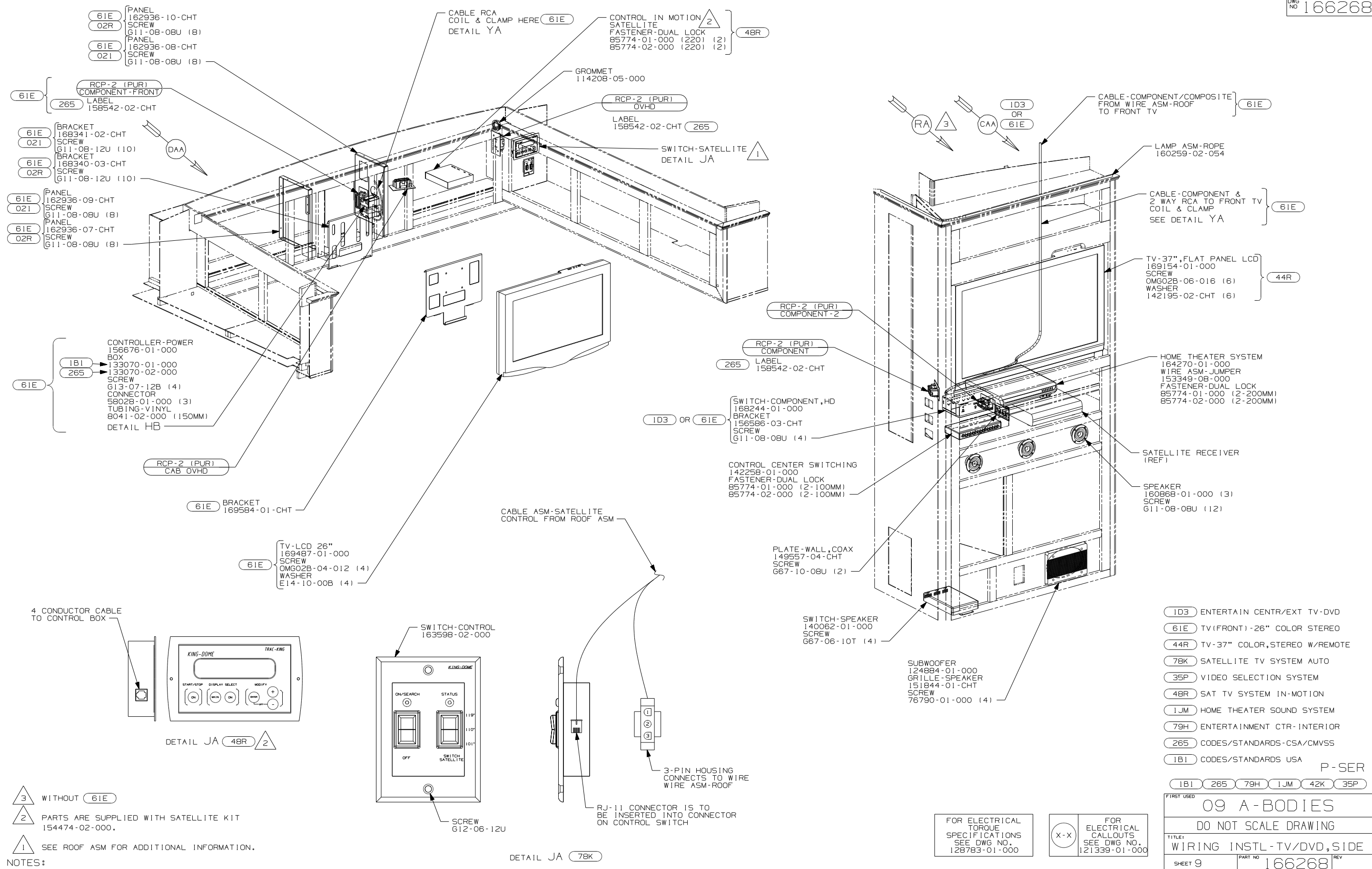
- 02R CABINET DOORS - TRADITIONAL
- 021 CABINET DOORS - FRAMELESS
- 61E TV(FRONT)-26" COLOR STEREO
- 35P VIDEO SELECTION SYSTEM
- 43G TV-30" COLOR, STEREO W/REMOTE
- 1JM HOME THEATER SOUND SYSTEM
- 79H ENTERTAINMENT CTR-INTERIOR
- 265 CODES/STANDARDS-CSA/CMVSS
- 1B1 CODES/STANDARDS USA

- NOTES:
- 3 POSITION TRANSMITTER ON TOP OF HOME THEATER SO THAT TRANSMITTER IS ABOVE THE HOME THEATER "1R" EYE.
 - 2 POSITION TRANSMITTER IN THE MIDDLE OF THE SHELF TOWARD OUTER EDGE.
 - 1 SEE ROOF ASM FOR ADDITIONAL INFORMATION.

FOR ELECTRICAL TORQUE SPECIFICATIONS SEE DWG NO. 128783-01-000

M37G, M39W
X-X FOR ELECTRICAL CALLOUTS SEE DWG NO. 121339-01-000

FIRST USED	09 A-BODIES
DO NOT SCALE DRAWING	
TITLE: WIRING INSTL-TV/DVD, SIDE	
SHEET 8	PART NO 166268 REV



NOTES:

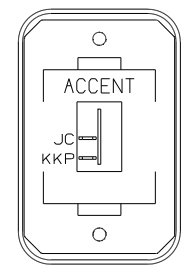
- 3 WITHOUT 61E
- 2 PARTS ARE SUPPLIED WITH SATELLITE KIT 154474-02-000.
- 1 SEE ROOF ASM FOR ADDITIONAL INFORMATION.

- ID3 ENTERTAIN CENTR/EXT TV-DVD
- 61E TV(FRONT) -26" COLOR STEREO
- 44R TV-37" COLOR, STEREO W/REMOTE
- 78K SATELLITE TV SYSTEM AUTO
- 35P VIDEO SELECTION SYSTEM
- 48R SAT TV SYSTEM IN-MOTION
- 1JM HOME THEATER SOUND SYSTEM
- 79H ENTERTAINMENT CTR- INTERIOR
- 265 CODES/STANDARDS-CSA/CMVSS
- 1B1 CODES/STANDARDS USA

FOR ELECTRICAL TORQUE SPECIFICATIONS SEE DWG NO. 128783-01-000

FOR ELECTRICAL CALLOUTS SEE DWG NO. 121339-01-000

FIRST USED		
09 A-BODIES		
DO NOT SCALE DRAWING		
TITLE: WIRING INSTL-TV/DVD, SIDE		
SHEET 9	PART NO 166268	REV



SWITCH-ROCKER
135740-01-CHT
SWITCH-BASE
135741-01-CHT
SWITCH-BEZEL
135742-50-CHT
SCREW
611-08-08U (2)

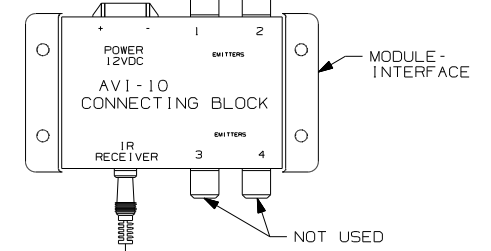
48R 5 CONTROL-IN MOTION
SATELLITE
FASTENER-DUAL LOCK
85774-01-000 (220) (2)
85774-02-000 (220) (2)

RCP-2 (PUR)
OVHD 2
LABEL
158542-02-CHT 265 4

2 SWITCH-SATELLITE
DETAIL KA

SWITCH-SPEAKER
140062-01-000
FASTENER-DUAL LOCK
85774-01-000 (220) (2)
85774-02-000 (220) (2)

TRANSMITTER TO FUTURE
SATELLITE RECEIVER TO DVD PLAYER



AVI-10
CONNECTING BLOCK
IR RECEIVER
CABLE-RECEIVER, IR
149750-06-000
TO RECEIVER-INFRARED
DETAIL KD

BRACKET-TV, 37"
168319-01-CHT
SCREW
G39-08-12U (12)
SCREW
OMC04K-06-016 (14)

1 LAMP ASM-ROPE
160259-02-174

44R TV-37" SAMSUNG
164605-01-000

SPEAKER-ROUND
160868-01-CHT
GRILLE
160868-02-CHT
SCREW
611-08-08U (4)

RECEIVER-INFRARED
149750-01-000

8 TRANSMITTER
149750-03-000

PLATE-WALL, ANT/CABLE
86784-01-CHT

DVD HOME THEATER
165199-01-000
FASTENER-DUAL LOCK
85774-01-000
85774-02-000
WIRE ASM-JUMPER, SPEAKERS
153349-06-000

RCP-2 (BLU)
COMPONENT 1
LABEL
158542-02-CHT 265

MODULE-INTERFACE, IR
149750-04-000
FASTENER-DUAL LOCK
85774-01-000 (100)
85774-02-000 (100)
SEE DETAIL HC

SWITCH-COMPONENT HD
168244-01-000
BRACKET-VIDEO SWITCH
156586-03-CHT
SCREW
611-08-12U (4) 35P

RCP-2 (BLU)
COMPONENT 2

RCP-FIREPLACE
(REF)
OR
RCP-COMPONENT 3
(REF) 7

PLATE-WALL
149557-09-CHT
SCREW
667-10-08U (2)

TRANSMITTER
149750-03-000

- 192 TV ANTENNA-AMPLIFIED SYS PWR
- 78C SATELLITE SYSTEM READY
- 78K SATELLITE DISH-AUTOMATIC
- 48R SAT SYS IN-MOTION W/O RCVR
- 44R TV-37" COLOR, STEREO W/REMOTE
- 35P VIDEO SELECTION SYSTEM
- 79H ENTERTAINMENT CTR-INTERIOR
- 265 CODES/STANDARDS-CSA/CMVSS
- 1B1 CODES/STANDARDS USA

1B1 265 79H R40FD

09 A-BODIES

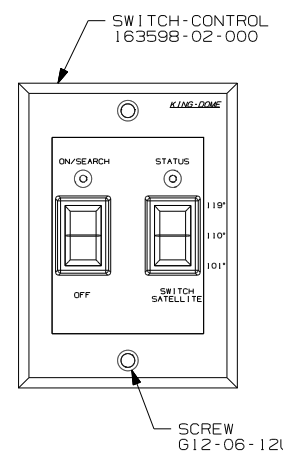
DO NOT SCALE DRAWING

TITLE: WIRING INSTL-TV/DVD, SIDE

SHEET 10 PART NO 166268 REV

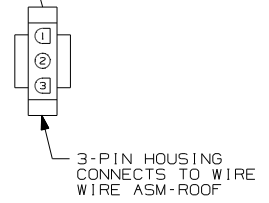
1 5/1/2009

- NOTES:
- 8 ROUTE TRANSMITTER THROUGH HOLES & COIL FOR FUTURE USE.
 - 7 SEE WIRING INSTL-BODY, 110V FOR ADDITIONAL INFORMATION.
 - 6 SPEAKER WIRING FROM WIRE ASM-ROOF.
 - 5 PARTS ARE SUPPLIED WITH SATELLITE KIT 154474-02-000.
 - 4 ONLY WITH 78C OR 78K
NOT USED WITH 48R
 - 3 PLACE CONNECTOR HERE TO MAKE CONNECTION TO MATING WIRE ASM
CIRCUITS KKP & NC.
 - 2 SEE ROOF ASM FOR ADDITIONAL INFORMATION.
 - 1 SNAP ROPE LIGHT IN CHANNELS ON OVHD CABINETS.

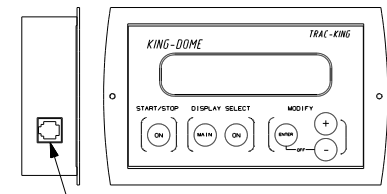


DETAIL KA 78K

CABLE ASM-SATELLITE
CONTROL FROM ROOF ASM



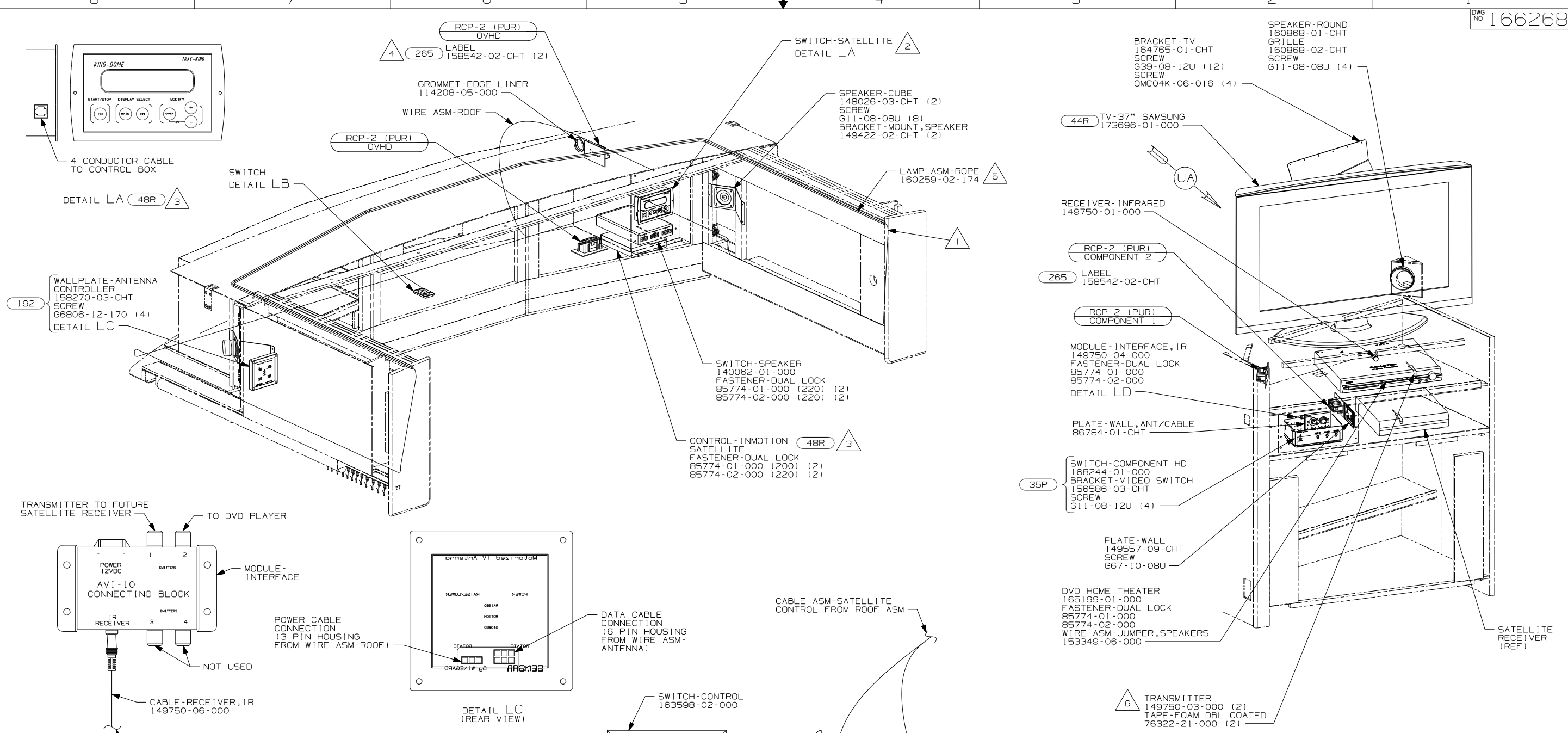
RJ-11 CONNECTOR IS TO
BE INSERTED INTO CONNECTOR
ON CONTROL SWITCH



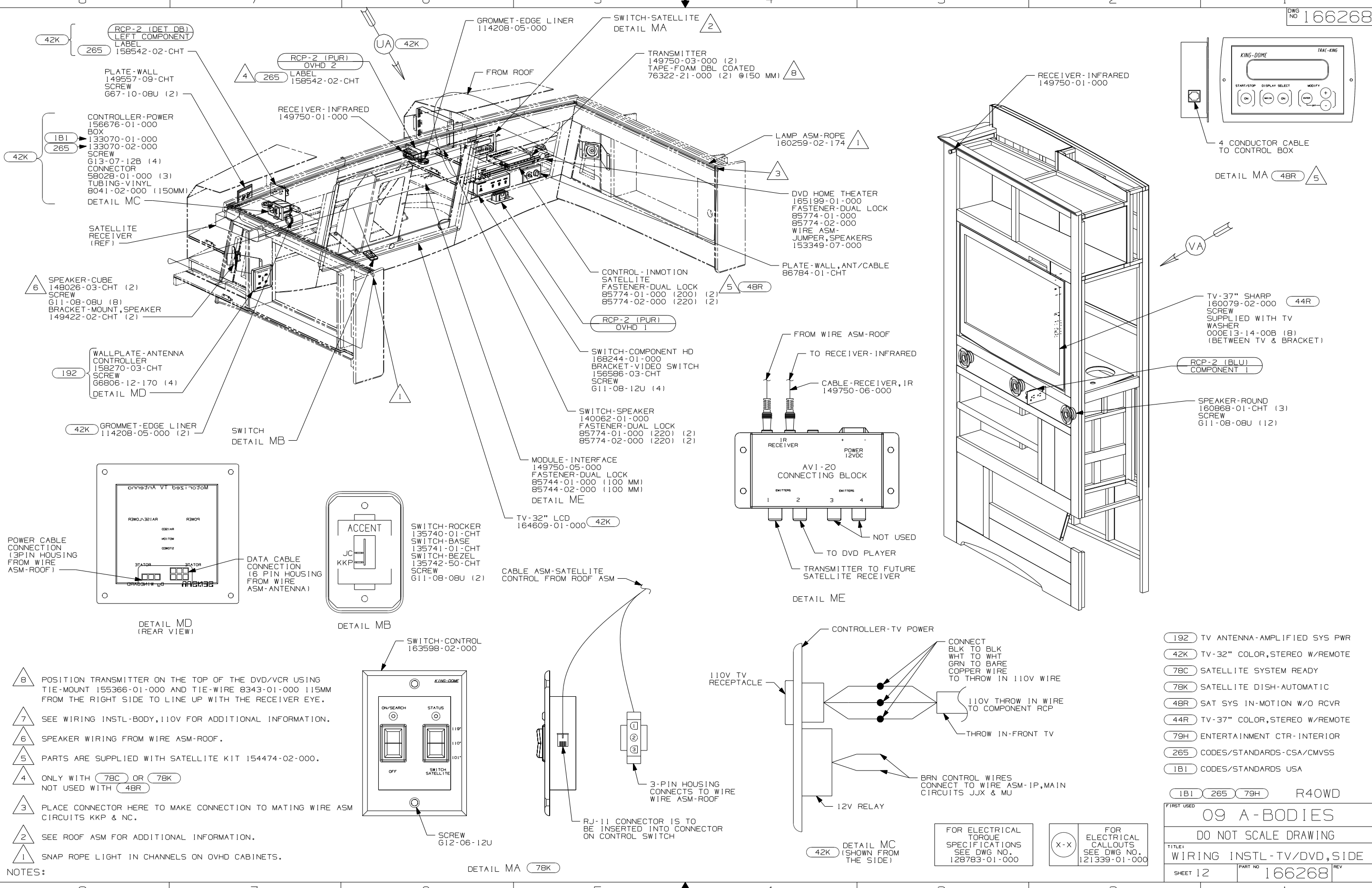
DETAIL KA 48R 5

FOR ELECTRICAL
TORQUE
SPECIFICATIONS
SEE DWG NO.
128783-01-000

X-X FOR
ELECTRICAL
CALLOUTS
SEE DWG NO.
121339-01-000



- BRACKET-TV
164765-01-CHT
SCREW
G39-08-12U (12)
SCREW
OMC04K-06-016 (4)
- 44R TV-37" SAMSUNG
173696-01-000
- RECEIVER-INFRARED
149750-01-000
- RCP-2 (PUR)
COMPONENT 2
- 265 LABEL
158542-02-CHT
- RCP-2 (PUR)
COMPONENT 1
- MODULE-INTERFACE, IR
149750-04-000
FASTENER-DUAL LOCK
85774-01-000
85774-02-000
- DETAIL LD
- PLATE-WALL, ANT/CABLE
86784-01-CHT
- 35P SWITCH-COMPONENT HD
168244-01-000
BRACKET-VIDEO SWITCH
156586-03-CHT
SCREW
G11-08-12U (4)
- PLATE-WALL
149557-09-CHT
SCREW
G67-10-08U
- DVD HOME THEATER
165199-01-000
FASTENER-DUAL LOCK
85774-01-000
85774-02-000
WIRE ASM-JUMPER, SPEAKERS
153349-06-000
- SATELLITE RECEIVER (REF)
- 6 TRANSMITTER
149750-03-000 (2)
TAPE-FOAM DBL COATED
76322-21-000 (2)
- 192 TV ANTENNA-AMPLIFIED SYS PWR
- 78K SATELLITE DISH-AUTOMATIC
- 78C SATELLITE SYSTEM READY
- 48R SAT SYS IN-MOTION W/O RCVR
- 44R TV-37" COLOR, STEREO W/REMOTE
- 35P VIDEO SELECTION SYSTEM
- 265 CODES/STANDARDS-CSA/CMVSS
- 1B1 CODES/STANDARDS USA
- 1B1 265 R40TD
- 09 A-BODIES
- DO NOT SCALE DRAWING
- TITLE: WIRING INSTL-TV/DVD, SIDE
- SHEET 11 PART NO 166268 REV



- NOTES:**
- 8 POSITION TRANSMITTER ON THE TOP OF THE DVD/VCR USING TIE-MOUNT 155366-01-000 AND TIE-WIRE 8343-01-000 115MM FROM THE RIGHT SIDE TO LINE UP WITH THE RECEIVER EYE.
 - 7 SEE WIRING INSTL-BODY, 110V FOR ADDITIONAL INFORMATION.
 - 6 SPEAKER WIRING FROM WIRE ASM-ROOF.
 - 5 PARTS ARE SUPPLIED WITH SATELLITE KIT 154474-02-000.
 - 4 ONLY WITH (78C) OR (78K) NOT USED WITH (48R)
 - 3 PLACE CONNECTOR HERE TO MAKE CONNECTION TO MATING WIRE ASM CIRCUITS KKP & NC.
 - 2 SEE ROOF ASM FOR ADDITIONAL INFORMATION.
 - 1 SNAP ROPE LIGHT IN CHANNELS ON OVHD CABINETS.

- (192) TV ANTENNA-AMPLIFIED SYS PWR
- (42K) TV-32" COLOR, STEREO W/REMOTE
- (78C) SATELLITE SYSTEM READY
- (78K) SATELLITE DISH-AUTOMATIC
- (48R) SAT SYS IN-MOTION W/O RCVR
- (44R) TV-37" COLOR, STEREO W/REMOTE
- (79H) ENTERTAINMENT CTR-INTERIOR
- (265) CODES/STANDARDS-CSA/CMVSS
- (1B1) CODES/STANDARDS USA

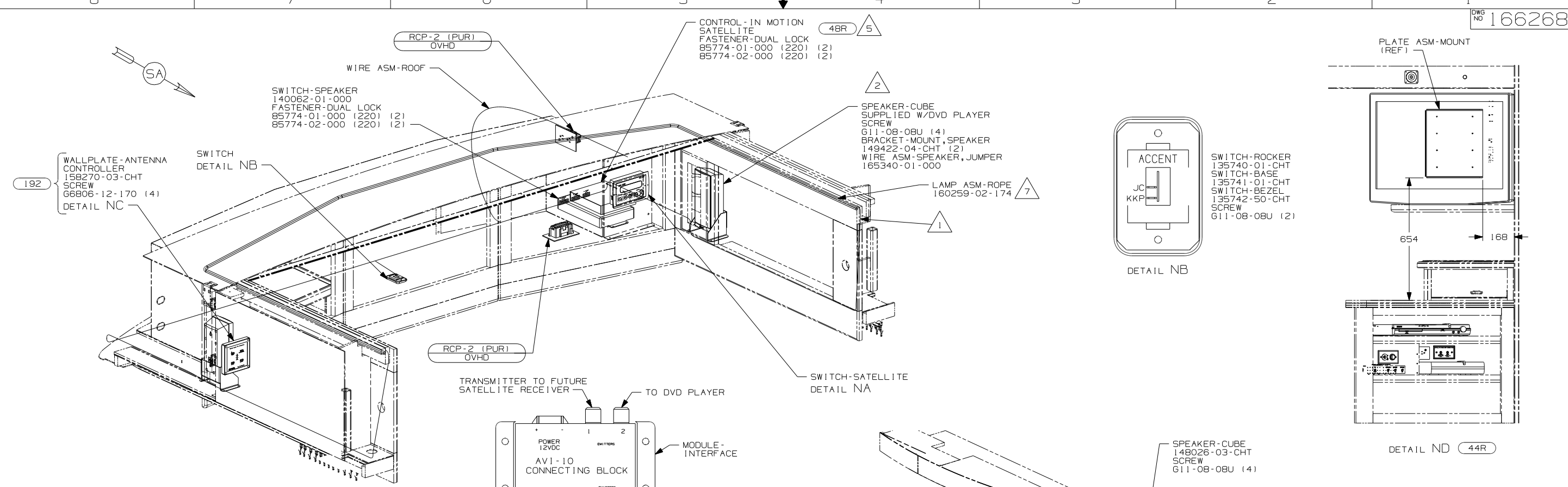
FIRST USED	
09 A-BODIES	
DO NOT SCALE DRAWING	
TITLE:	
WIRING INSTL-TV/DVD, SIDE	
SHEET 12	PART NO 166268
REV	

FOR ELECTRICAL TORQUE SPECIFICATIONS SEE DWG NO. 128783-01-000

FOR ELECTRICAL CALLOUTS SEE DWG NO. 121339-01-000

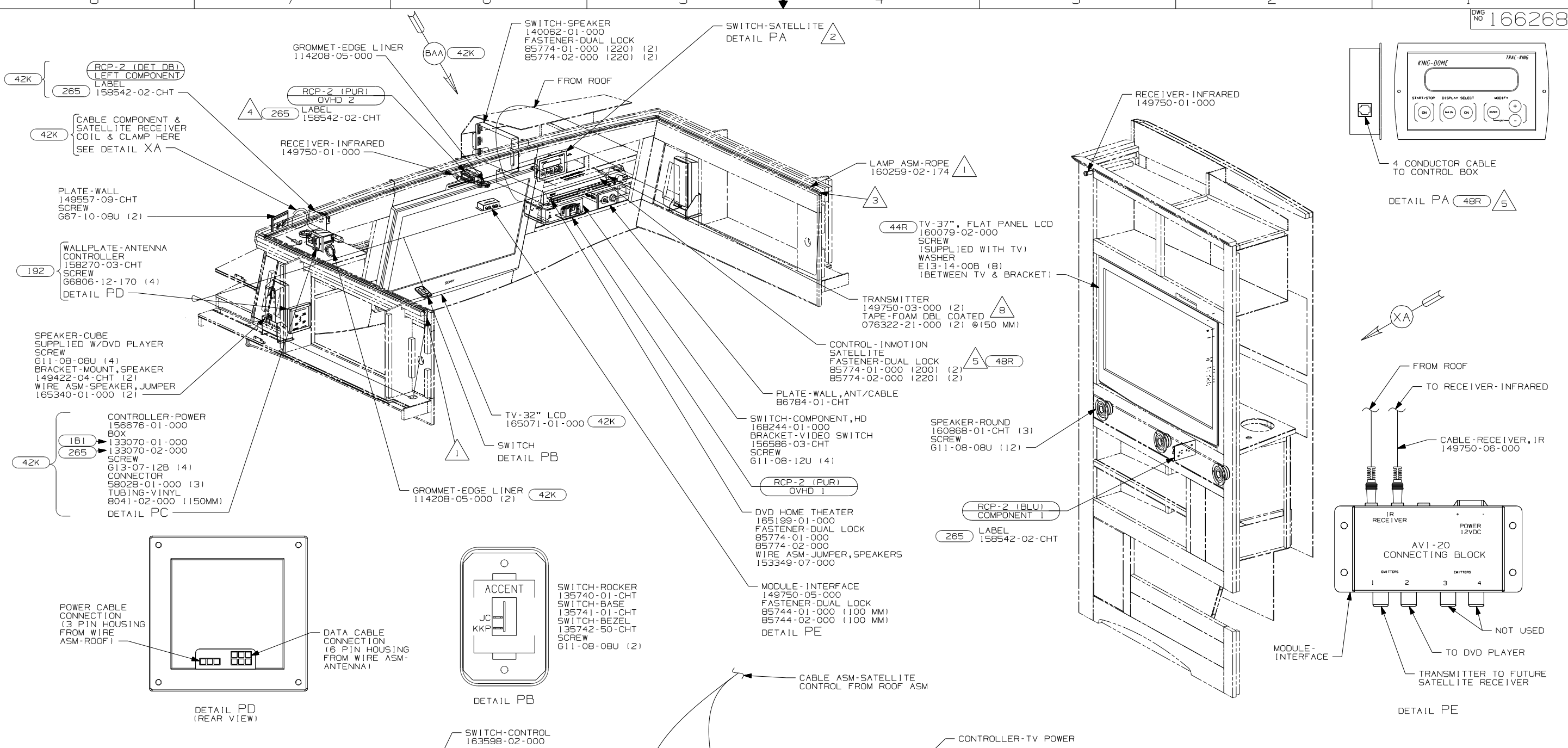
(42K) DETAIL MC (SHOWN FROM THE SIDE)

DETAIL MA (78K)

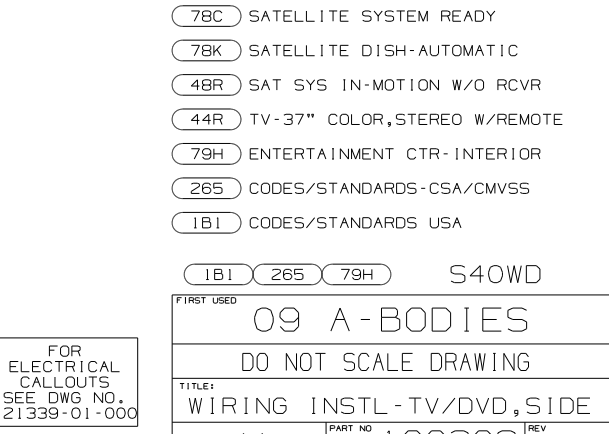
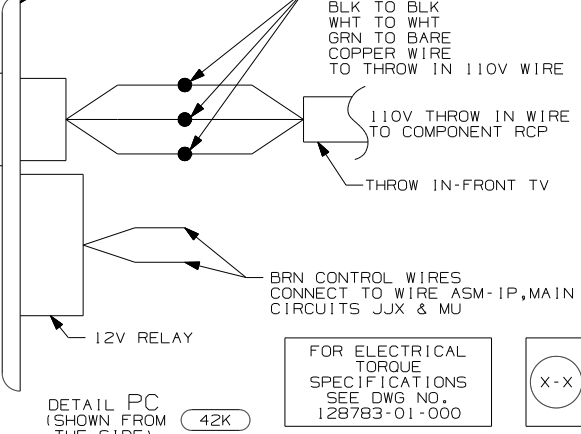
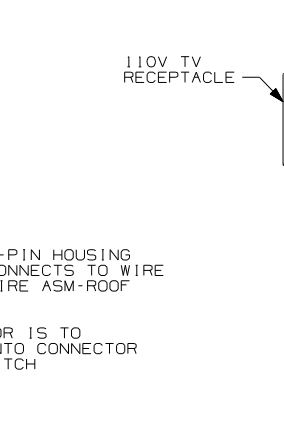
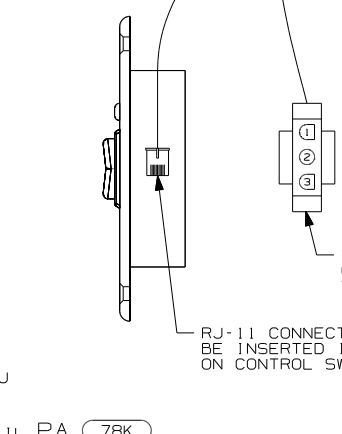
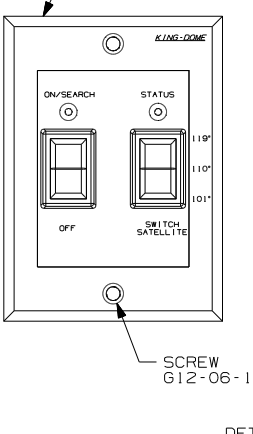


- NOTES:
- 7 SNAP ROPE LAMP IN CHANNELS ON OVER HEAD CABINES.
 - 6 ONLY WITH 78C OR 78K NOT USED WITH 48R
 - 5 PARTS ARE SUPPLIED WITH SATELLITE KIT 154474-02-000.
 - 4 POSITION TRANSMITTER ON THE TOP OF THE DVD/VCR USING TIE-MOUNT 155366-01-000 AND TIE-WIRE 8343-01-000 115MM FROM THE RIGHT SIDE TO LINE UP WITH THE RECEIVER EYE.
 - 3 POSITION TRANSMITTER IN THE CORNER OF THE OPENING.
 - 2 SEE WIRING INSTL-BODY, 12V FOR ADDITIONAL INFORMATION.
 - 1 PLACE CONNECTOR HERE TO MAKE CONNECTION TO MATING WIRE ASM CIRCUITS KKP & NC.

FIRST USED	09 A-BODIES	
DO NOT SCALE DRAWING		
TITLE:	WIRING INSTL-TV/DVD, SIDE	
SHEET 13	PART NO	166268
REV		



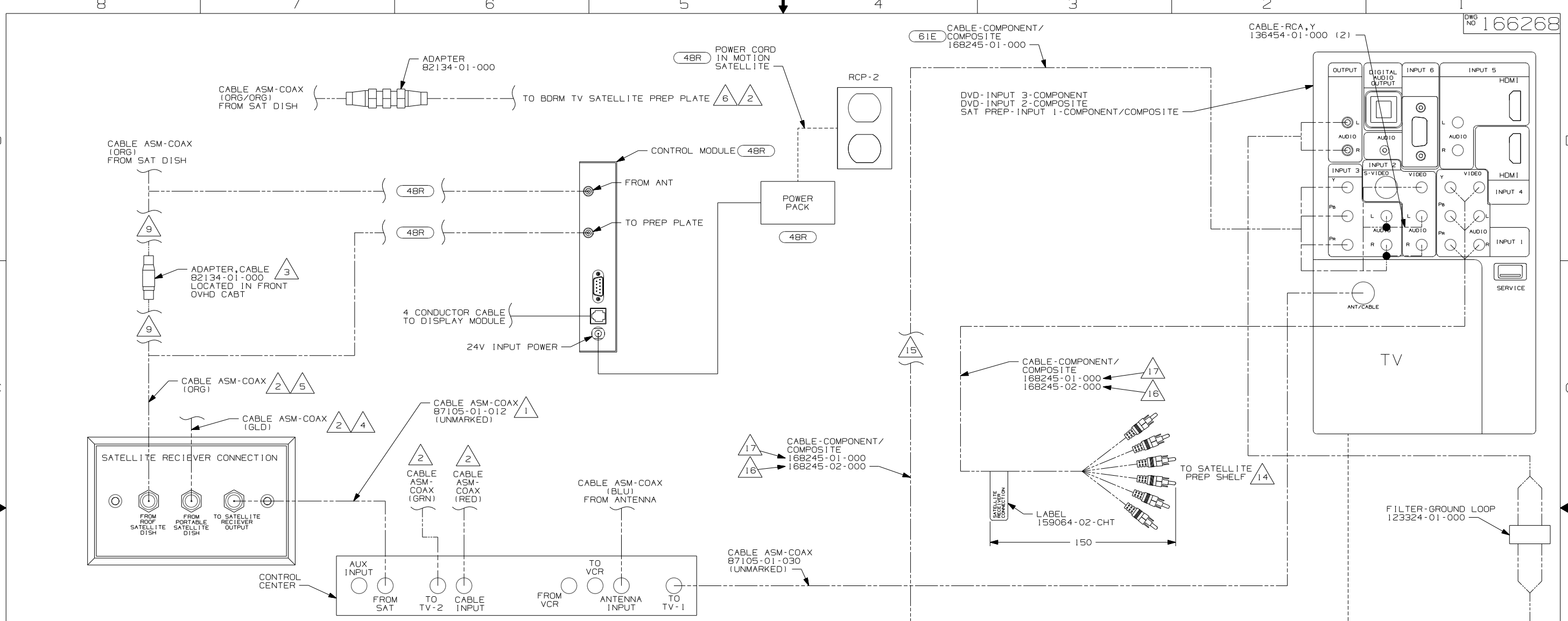
- NOTES:**
- 8 POSITION TRANSMITTER ON THE TOP OF THE DVD/VCR USING TIE-MOUNT 155366-01-000 AND TIE-WIRE 8343-01-000 115MM FROM THE RIGHT SIDE TO LINE UP WITH THE RECEIVER EYE.
 - 7 SEE WIRING INSTL-BODY, 110V FOR ADDITIONAL INFORMATION.
 - 6 SPEAKER WIRING FROM WIRE ASM-ROOF.
 - 5 PARTS ARE SUPPLIED WITH SATELLITE KIT 154474-02-000.
 - 4 ONLY WITH 78C OR 78K NOT USED WITH 48R
 - 3 PLACE CONNECTOR HERE TO MAKE CONNECTION TO MATING WIRE ASM CIRCUITS KKP & NC.
 - 2 SEE ROOF ASM FOR ADDITIONAL INFORMATION.
 - 1 SNAP ROPE LIGHT IN CHANNELS ON OVHD CABINETS.



78C	SATELLITE SYSTEM READY		
78K	SATELLITE DISH-AUTOMATIC		
48R	SAT SYS IN-MOTION W/O RCVR		
44R	TV-37" COLOR, STEREO W/REMOTE		
79H	ENTERTAINMENT CTR-INTERIOR		
265	CODES/STANDARDS-CSA/CMVSS		
1B1	CODES/STANDARDS USA		
1B1	265	79H	S40WD
FIRST USED			
09 A-BODIES			
DO NOT SCALE DRAWING			
TITLE: WIRING INSTL-TV/DVD, SIDE			
SHEET 14	PART NO	166268	REV

FOR ELECTRICAL TORQUE SPECIFICATIONS SEE DWG NO. 128783-01-000

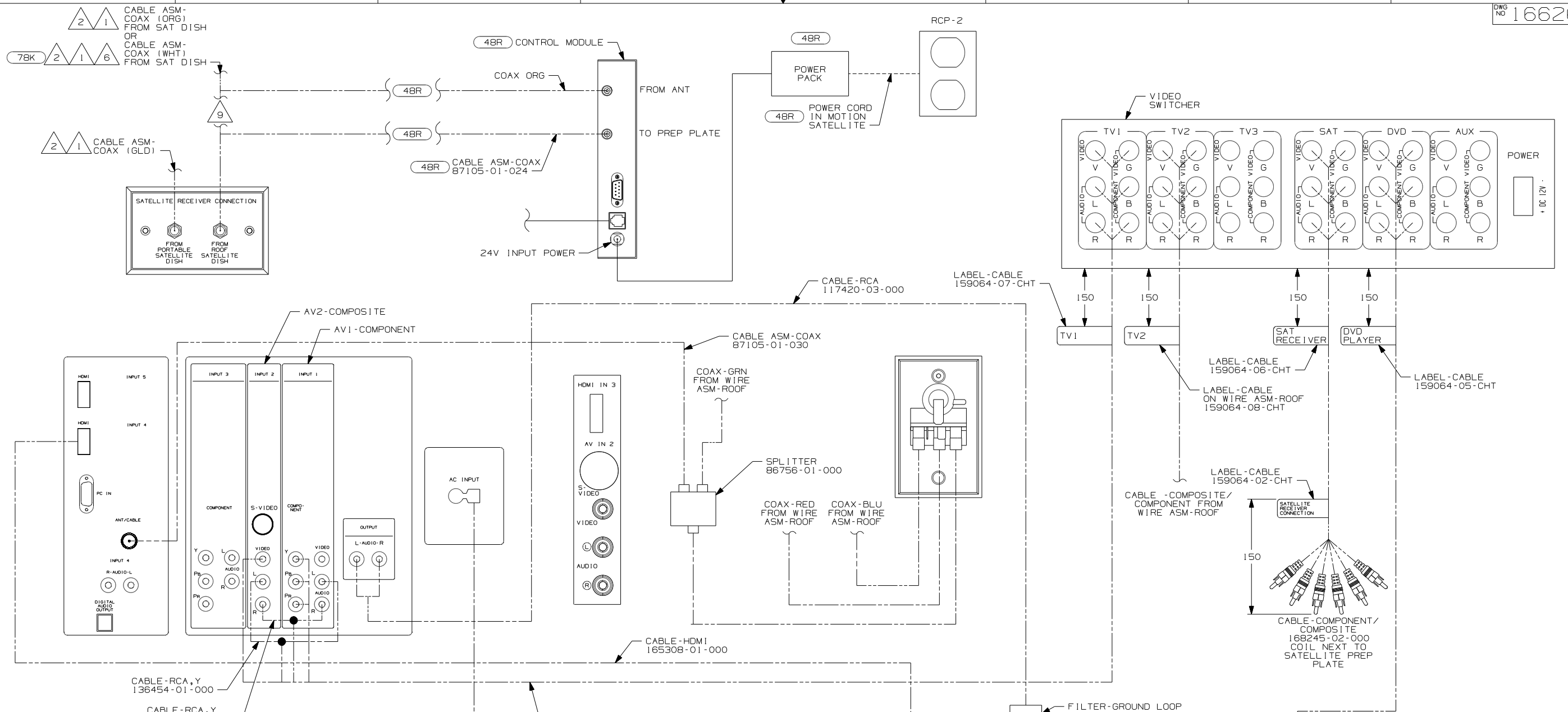
FOR ELECTRICAL CALLOUTS SEE DWG NO. 121339-01-000



- 12 CONNECT ANTENNA CABLES TO DVD PLAYER AND MOUNT ANTENNAS AS HIGH AS POSSIBLE.
- 11 SET DVD PLAYER TO PROGRESSIVE SCAN OUT.
- 10 SET SWITCH TO ON POSITION BEFORE TV IS INSTALLED.
- 9 WITH (48R) COAX CABLES ARE CONNECTED TO THE SATELLITE CONTROL MODULE AS SHOWN BYPASSING THE ADAPTER, CABLE.
- 8 CABLE IS SUPPLIED WITH HOME THEATER RECEIVER.
- 7 INSERT WIRE PIN INTO CONNECTOR WITH SEAM ON TERMINAL FACING TERMINAL LOCK LEVER.
- 6 SEE WIRING INSTL-BODY, 12V FOR ADDITIONAL INFORMATION
- 5 CONNECTED TO THE REAR SIDE OF SATELLITE PREP PLATE, CONNECTION LABELED 'FROM ROOF SATELLITE DISH.'
- 4 CONNECTED TO THE REAR SIDE OF SATELLITE PREP PLATE, CONNECTION LABELED 'FROM PORTABLE SATELLITE DISH.'
- 3 NOT USED WITH (48R)
- 2 CABLE ROUTED IN ROOF OR THROUGH WIRE ASM-COACH.
- 1 CONNECTED TO THE REAR SIDE OF SATELLITE PREP PLATE, CONNECTION LABELED 'TO SATELLITE RECEIVER OUTPUT.'

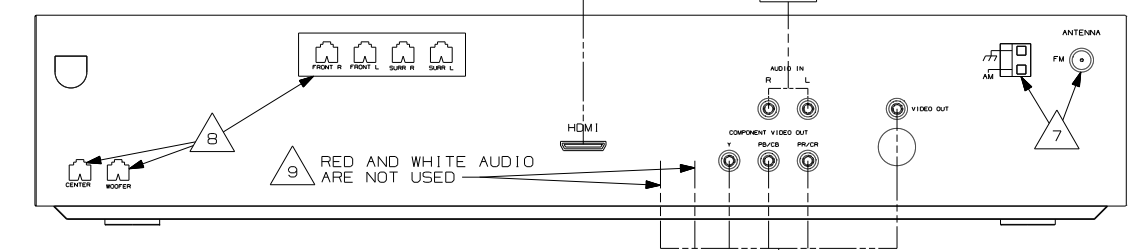
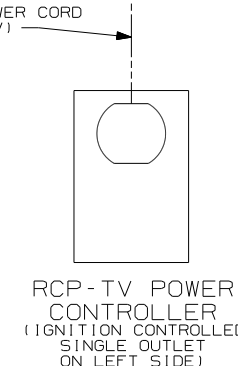
- 17 NOT USED ON J38N & K38T.
- 16 USED ON J38N & K38T.
- 15 WITH OPTION (61E) CABLES CONNECT TO VIDEO DISTRIBUTION SYSTEM. SEE SHT 21 FOR ADDITIONAL INFORMATION.
- 14 ROUTE CABLE TO LEFT OVHD CABINET AND COIL EXCESS NEXT TO SATELLITE PREP PLATE.
- 13 TAPE UNUSED YELLOW CIRCUIT BACK TO MAIN CABLE.

- (61E) TV(FRONT)-26" COLOR STEREO
- (78K) SATELLITE DISH-AUTOMATIC
- (48R) SAT SYS IN-MOTION W/O RCVR
- (44R) TV-37" COLOR, STEREO W/REMOTE
- (42K) TV-32" COLOR, STEREO W/REMOTE
- (1JM) HOME THEATER SOUND SYSTEM
- (265) CODES/STANDARDS-CSA/CMVSS
- (1B1) CODES/STANDARDS USA



- 9 TAPE UNUSED WIRES BACK TO CABLE ASM.
- 8 ANTENNA CABLES ARE TO BE ROUTED INTO FRONT CAP AREA AND ATTACHED TO FRONT EDGE OF ROOF.
- 7 SPEAKER OUT TO WIRE ASM-JUMPER, SPEAKER, CONNECT COLOR TO COLOR.
- 6 WHT COAX IS PART OF WIRE ASM-SATELLITE AUTO GRAY COAX IS NOT USED, TAPE BACK TO HARNESS.
- 5 CONNECTED TO THE REAR SIDE OF SATELLITE PREP PLATE, CONNECTION LABELED 'FROM ROOF SATELLITE DISH.'
- 4 WITHOUT 48R CABLE CONNECTS DIRECTLY TO PREP PLATE. SEE ALTERNAE ROUTING WITH 48R
- 3 CABLE IS SUPPLIED WITH DVD/VCR.
- 2 CABLE ROUTED IN ROOF.
- 1 CONNECTED TO THE REAR SIDE OF SATELLITE PREP PLATE, CONNECTION LABELED 'TO SATELLITE RECEIVER OUTPUT.'

NOTES:



VIEW SA

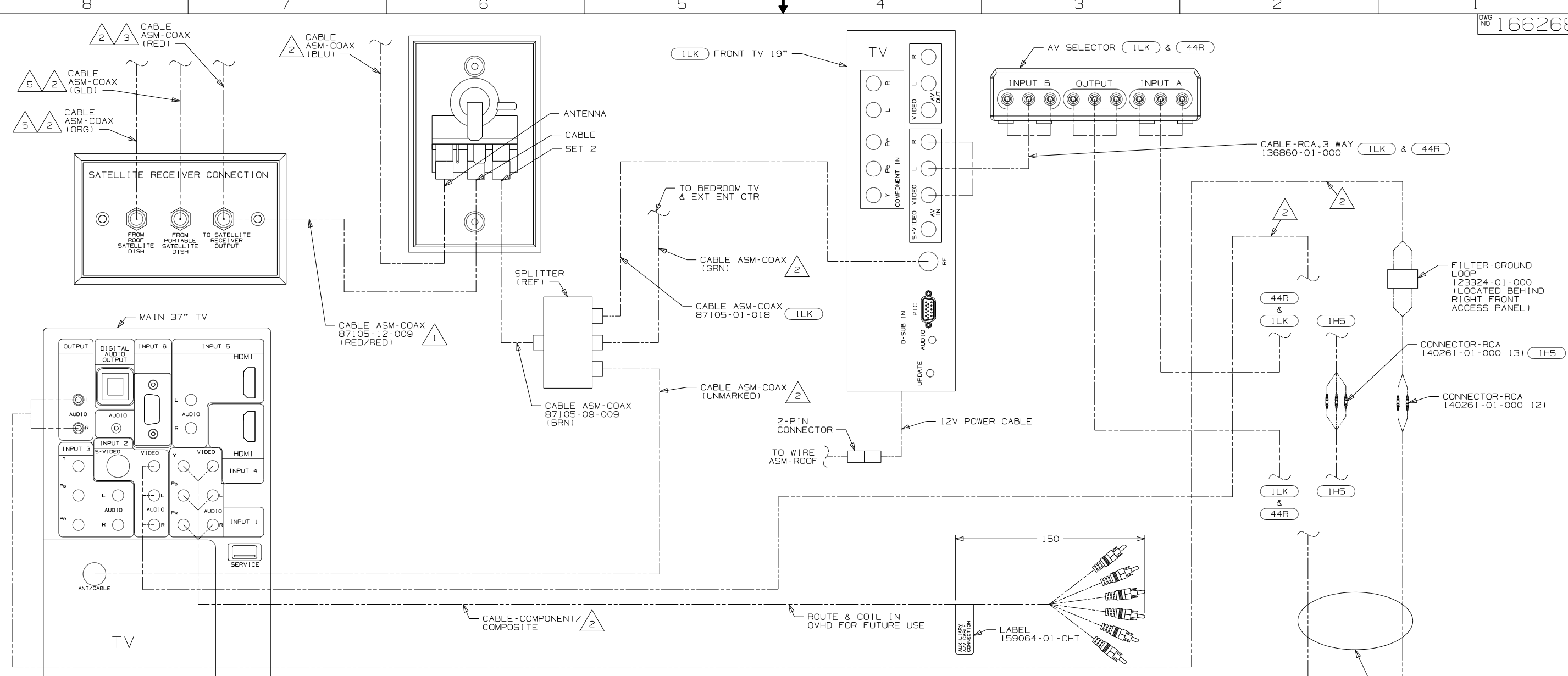
S40TD W/37\"/>

FOR ELECTRICAL TORQUE SPECIFICATIONS SEE DWG NO. 128783-01-000

FOR ELECTRICAL CALLOUTS SEE DWG NO. 121339-01-000

- 78K SATELLITE DISH-AUTOMATIC
- 48R SAT SYS IN-MOTION W/O RCVR
- 44R TV-37\"/>

1B1	265	44R
FIRST USED		
09 A-BODIES		
DO NOT SCALE DRAWING		
TITLE:		
WIRING INSTL-TV/DVD, SIDE		
SHEET 16	PART NO	166268
REV		



- 9 CABLE IS PART OF WIRE ASM-IP,MAIN.
- 8 SEE RADIO INSTL FOR ADDITIONAL INFORMATION.
- 7 CONNECT CABLE-RCA TO RADIO 'AUX INPUT' CONNECTION.
- 6 SUPPLIED WITH TV
- 5 CONNECTED TO THE REAR SIDE OF SATELLITE PREP PLATE, CONNECTION LABELED "FROM ROOF SATELLITE DISH".
- 4 SUPPLIED WITH DVD PLAYER.
- 3 CONNECTED TO THE FRONT SIDE OF SATELLITE PREP PLATE, CONNECTION LABELED "TO SATELLITE RECEIVER OUTPUT".
- 2 CABLE ROUTED IN ROOF.
- 1 CONNECTED TO THE REAR SIDE OF SATELLITE PREP PLATE, CONNECTION LABELED "TO SATELLITE RECEIVER OUTPUT".

- 11 SEE WIRING INSTL-TV/DVD,FRONT FOR ADDITIONAL INFORMATION.
- 10 TAPE UNUSED YELLOW CIRCUIT BACK TO CABLE ASM.

- 1LK TV-19"DC,COLOR,LCD W/REMOTE
- 1H5 TV, FRONT-WITHOUT
- 44R TV-37" COLOR,STEREO W/REMOTE
- 265 CODES/STANDARDS-CSA/CMVSS
- 1B1 CODES/STANDARDS USA

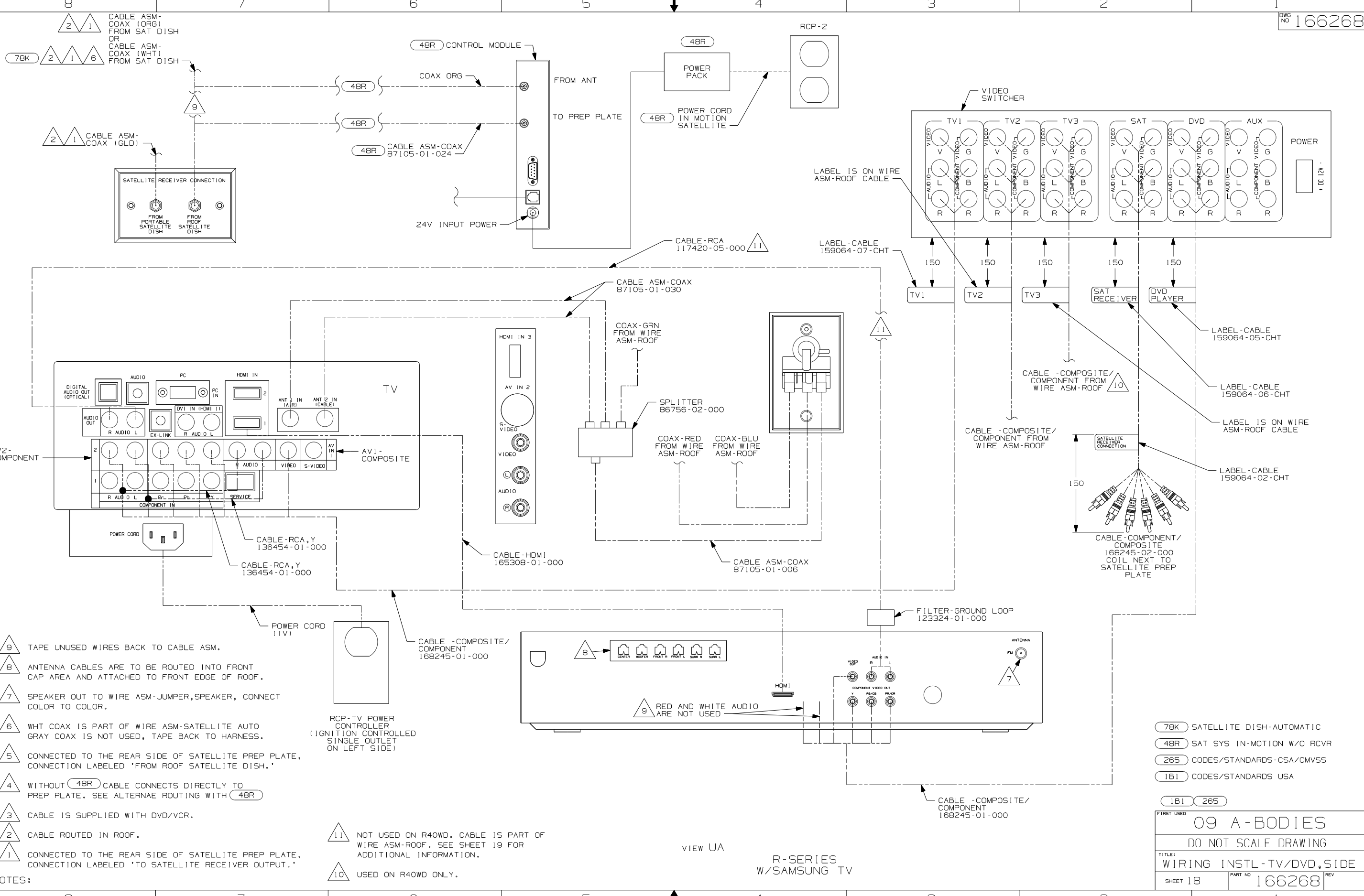
FIRST USED	
09 A-BODIES	
DO NOT SCALE DRAWING	
TITLE:	
WIRING INSTL-TV/DVD,SIDE	
SHEET 17	PART NO 166268 REV

FOR ELECTRICAL TORQUE SPECIFICATIONS SEE DWG NO. 128783-01-000

FOR ELECTRICAL CALLOUTS SEE DWG NO. 121339-01-000

DETAIL TA

D31E

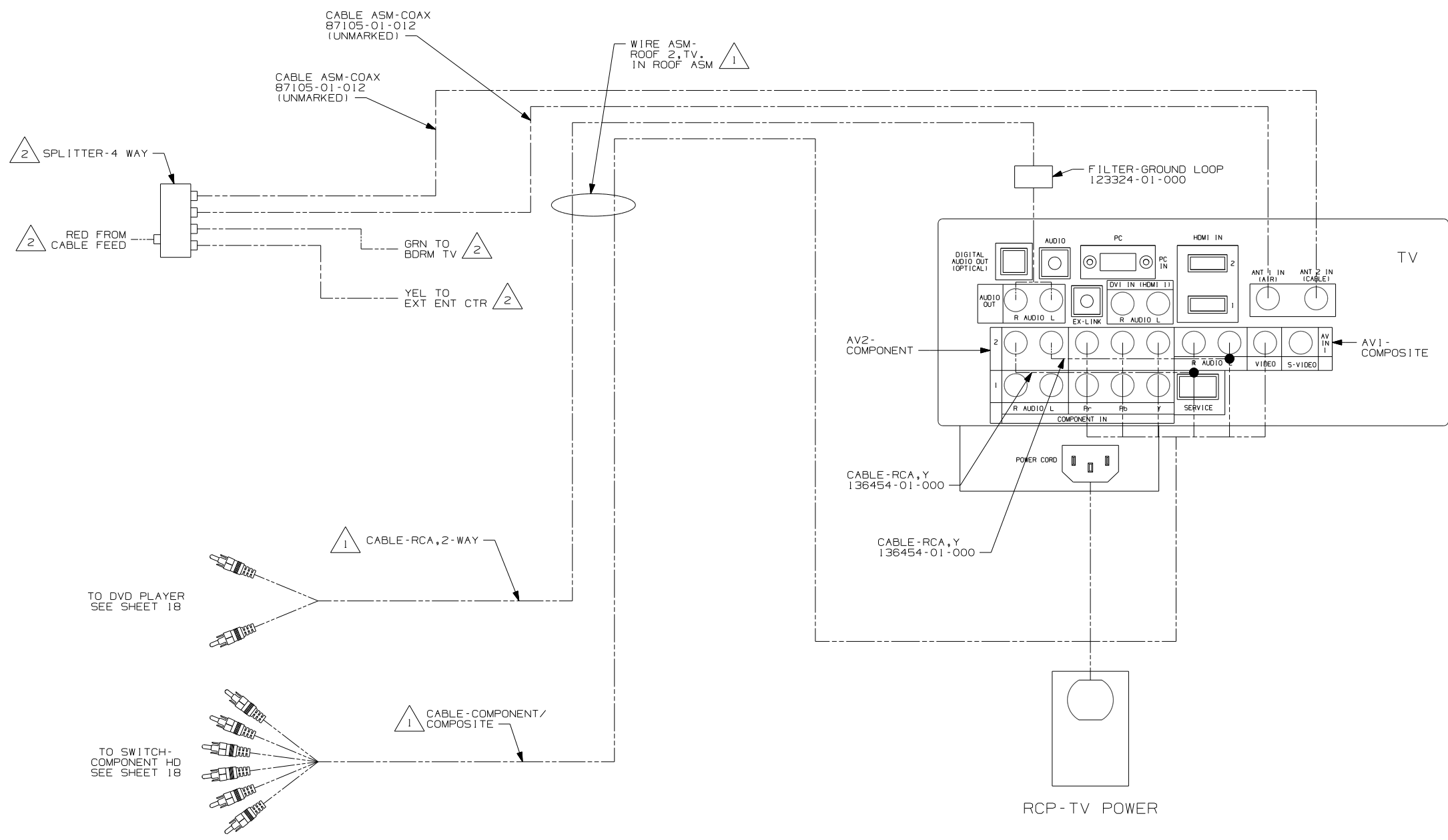


- 9 TAPE UNUSED WIRES BACK TO CABLE ASM.
- 8 ANTENNA CABLES ARE TO BE ROUTED INTO FRONT CAP AREA AND ATTACHED TO FRONT EDGE OF ROOF.
- 7 SPEAKER OUT TO WIRE ASM-JUMPER, SPEAKER, CONNECT COLOR TO COLOR.
- 6 WHT COAX IS PART OF WIRE ASM-SATELLITE AUTO GRAY COAX IS NOT USED, TAPE BACK TO HARNESS.
- 5 CONNECTED TO THE REAR SIDE OF SATELLITE PREP PLATE, CONNECTION LABELED 'FROM ROOF SATELLITE DISH.'
- 4 WITHOUT (48R) CABLE CONNECTS DIRECTLY TO PREP PLATE. SEE ALTERNAE ROUTING WITH (48R)
- 3 CABLE IS SUPPLIED WITH DVD/VCR.
- 2 CABLE ROUTED IN ROOF.
- 1 CONNECTED TO THE REAR SIDE OF SATELLITE PREP PLATE, CONNECTION LABELED 'TO SATELLITE RECEIVER OUTPUT.'

- 11 NOT USED ON R40WD. CABLE IS PART OF WIRE ASM-ROOF. SEE SHEET 19 FOR ADDITIONAL INFORMATION.
- 10 USED ON R40WD ONLY.

- (78K) SATELLITE DISH-AUTOMATIC
- (48R) SAT SYS IN-MOTION W/O RCVR
- (265) CODES/STANDARDS-CSA/CMVSS
- (1B1) CODES/STANDARDS USA

FIRST USED		09 A-BODIES	
DO NOT SCALE DRAWING			
TITLE: WIRING INSTL-TV/DVD, SIDE			
SHEET 18	PART NO	166268	REV



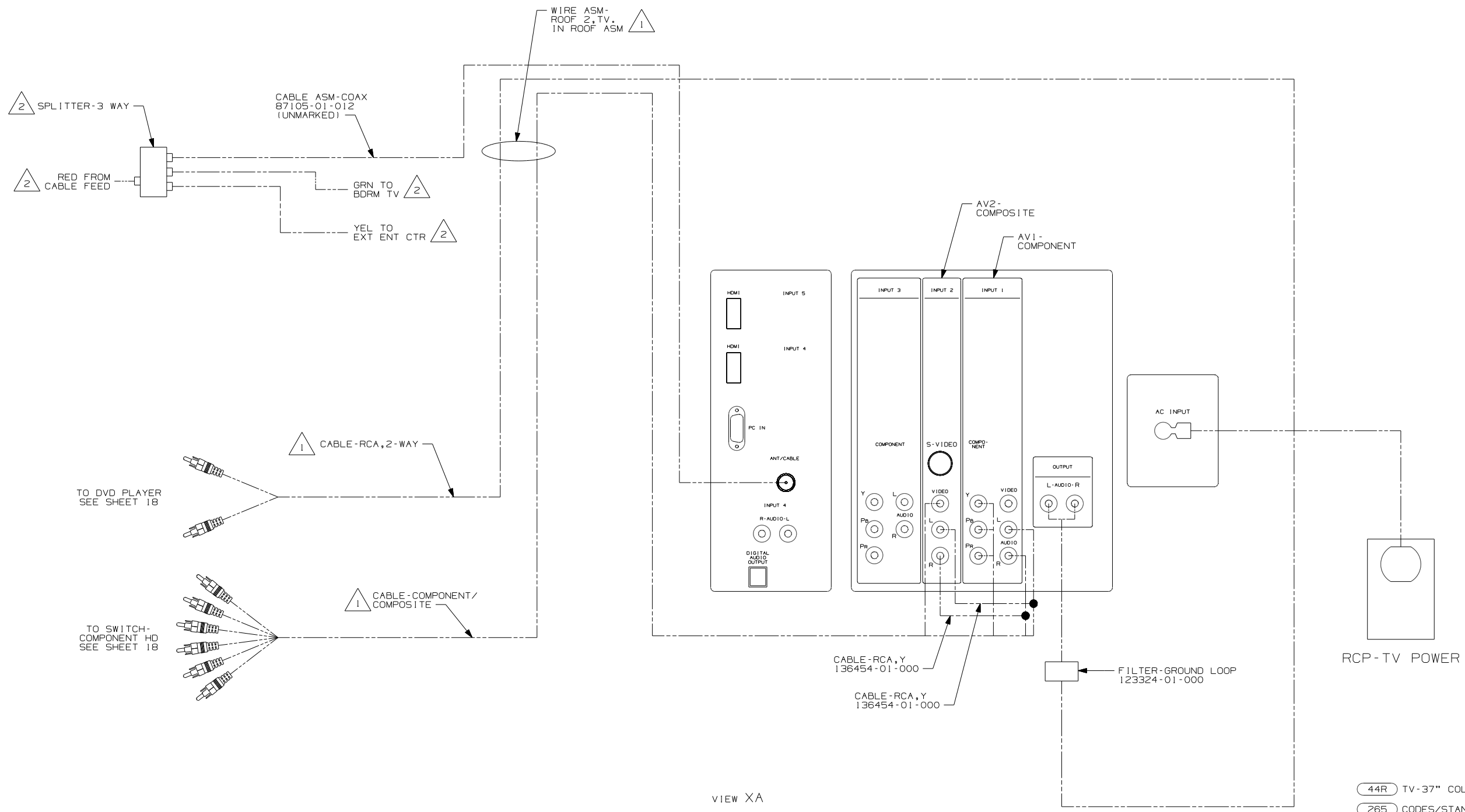
VIEW VA

R40WD WITH 37" SAMSUNG OR SHARP TV

- 2 SEE WIRING INSTL-BODY, 12V FOR ADDITIONAL INFORMATION.
- 1 CABLE ROUTED IN ROOF

- 44R TV-37" COLOR, STEREO W/REMOTE
- 265 CODES/STANDARDS-CSA/CMVSS
- 1B1 CODES/STANDARDS USA

1B1 265 44R	
FIRST USED	
09 A-BODIES	
DO NOT SCALE DRAWING	
TITLE:	
WIRING INSTL-TV/DVD, SIDE	
SHEET 19	PART NO 166268 REV



VIEW XA

S40WD WITH 37" SHARP

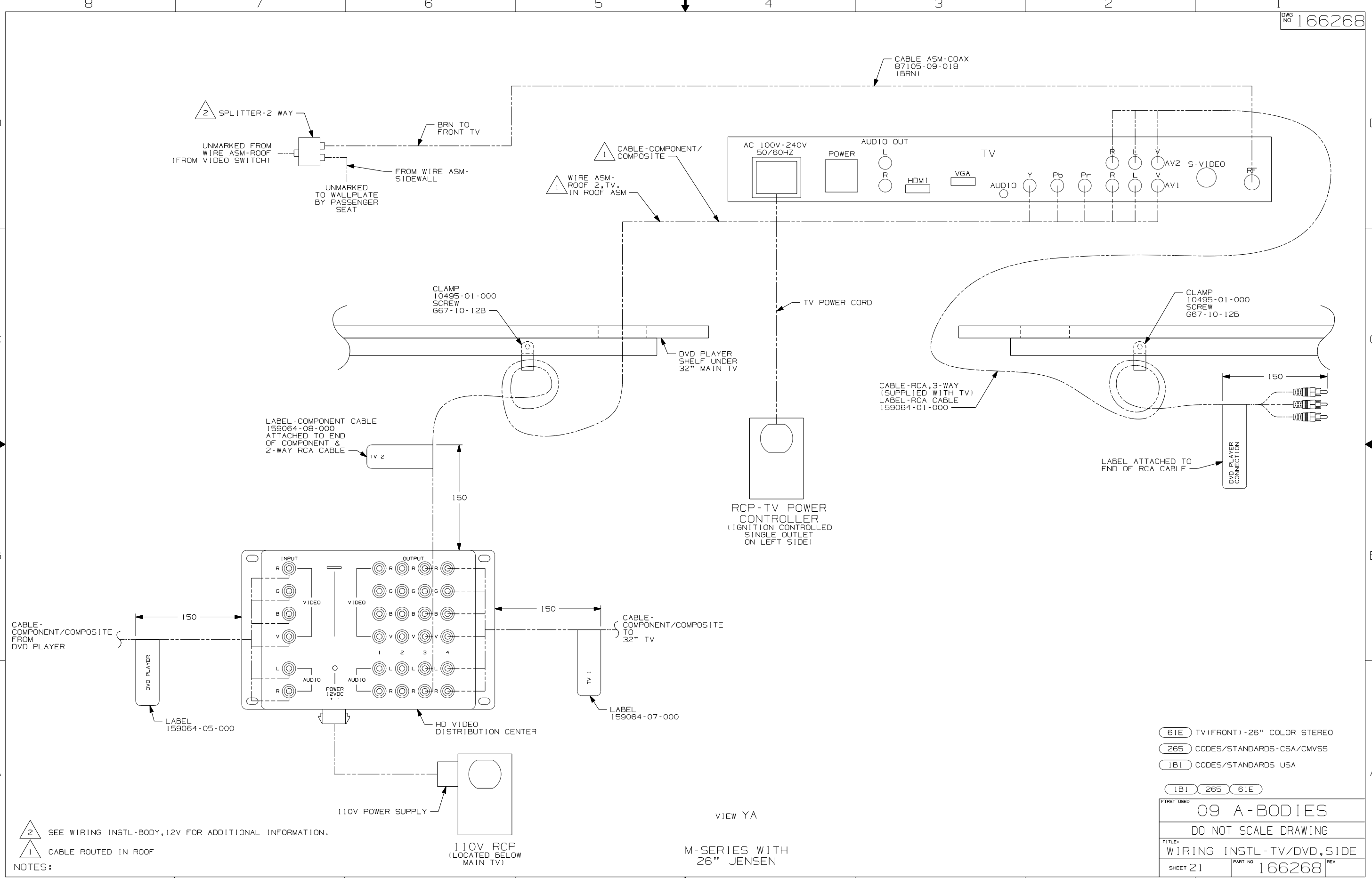
- NOTES:
- 2 SEE WIRING INSTL-BODY, 12V FOR ADDITIONAL INFORMATION.
 - 1 CABLE ROUTED IN ROOF

FOR ELECTRICAL TORQUE SPECIFICATIONS SEE DWG NO. 128783-01-000

FOR ELECTRICAL CALLOUTS SEE DWG NO. 121339-01-000

- 44R TV-37" COLOR, STEREO W/REMOTE
- 265 CODES/STANDARDS-CSA/CMVSS
- 1B1 CODES/STANDARDS USA

FIRST USED	
09 A-BODIES	
DO NOT SCALE DRAWING	
TITLE: WIRING INSTL-TV/DVD, SIDE	
SHEET 20	PART NO 166268 REV



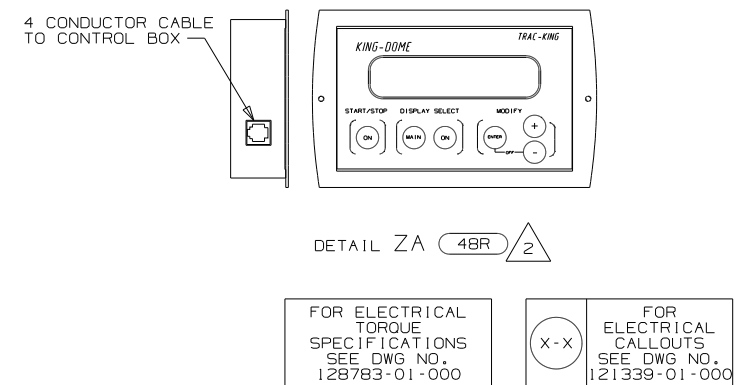
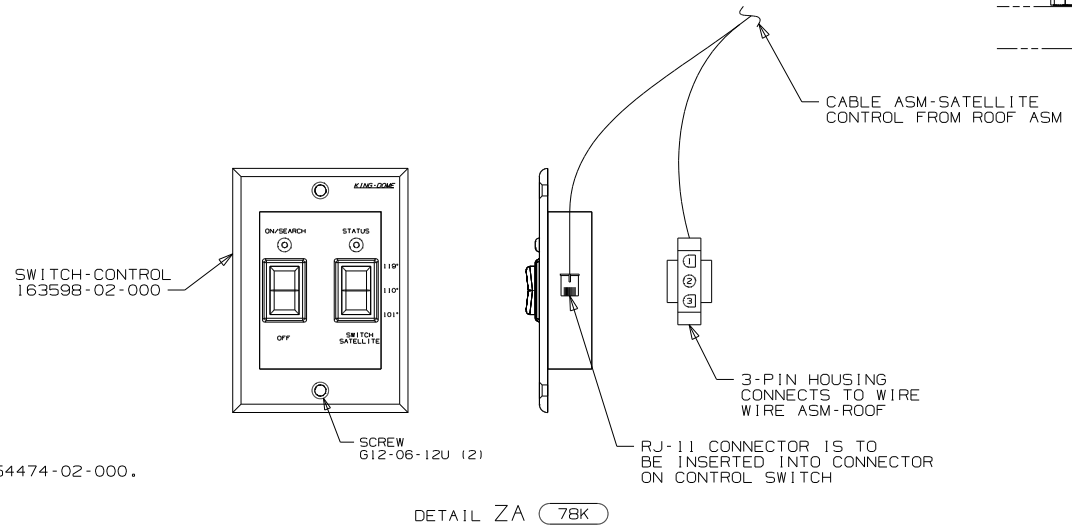
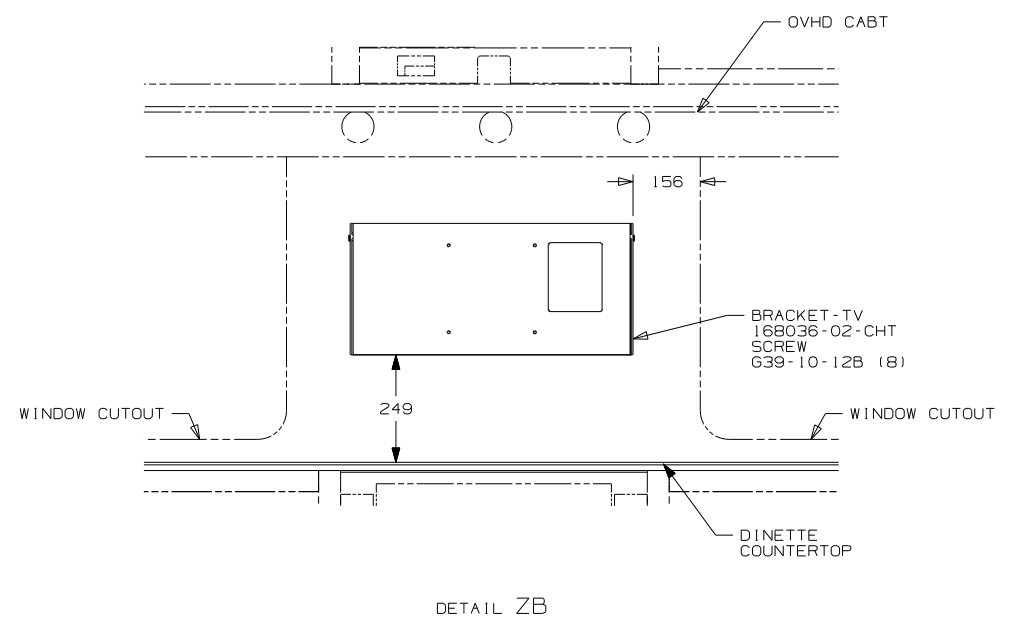
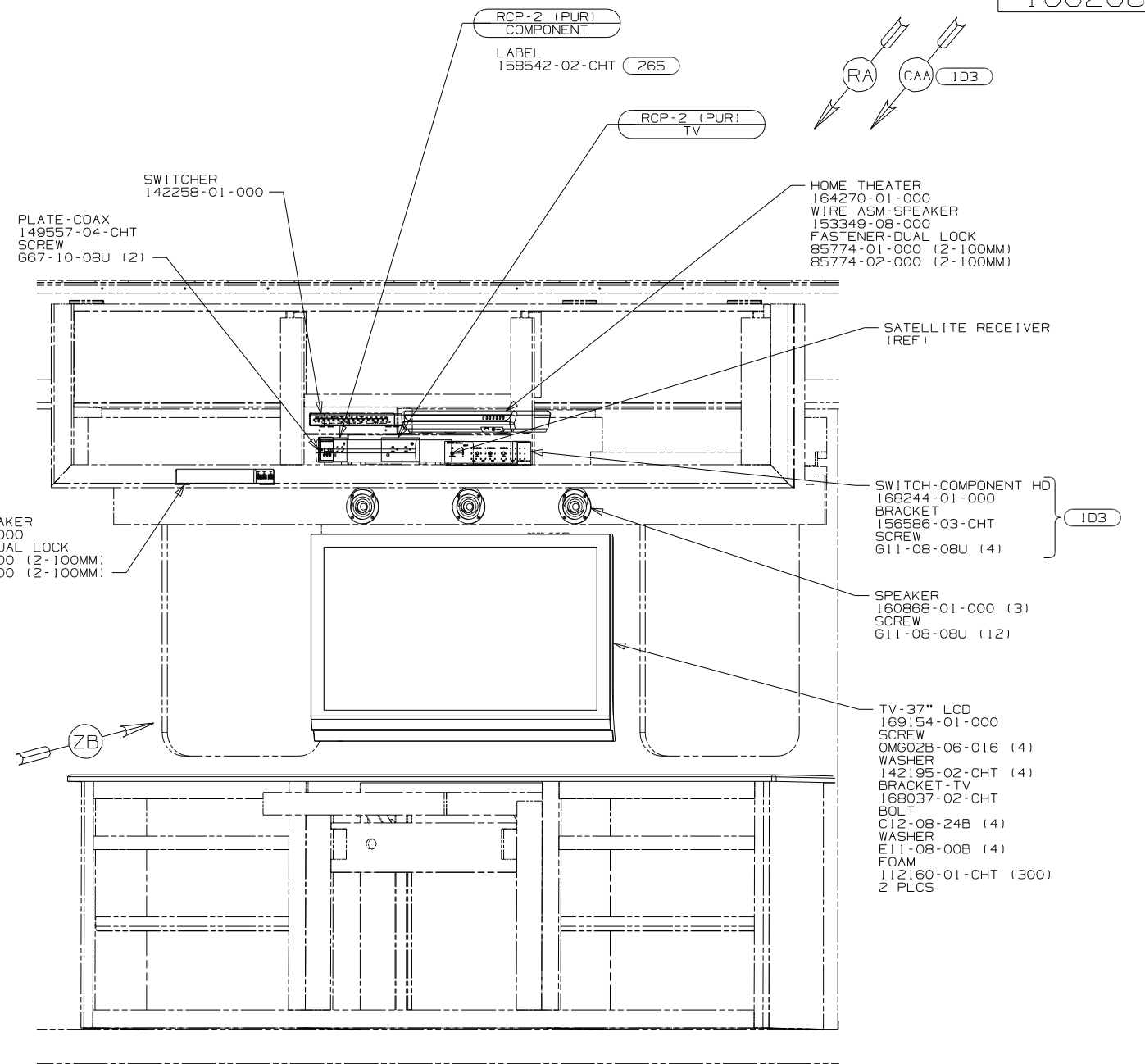
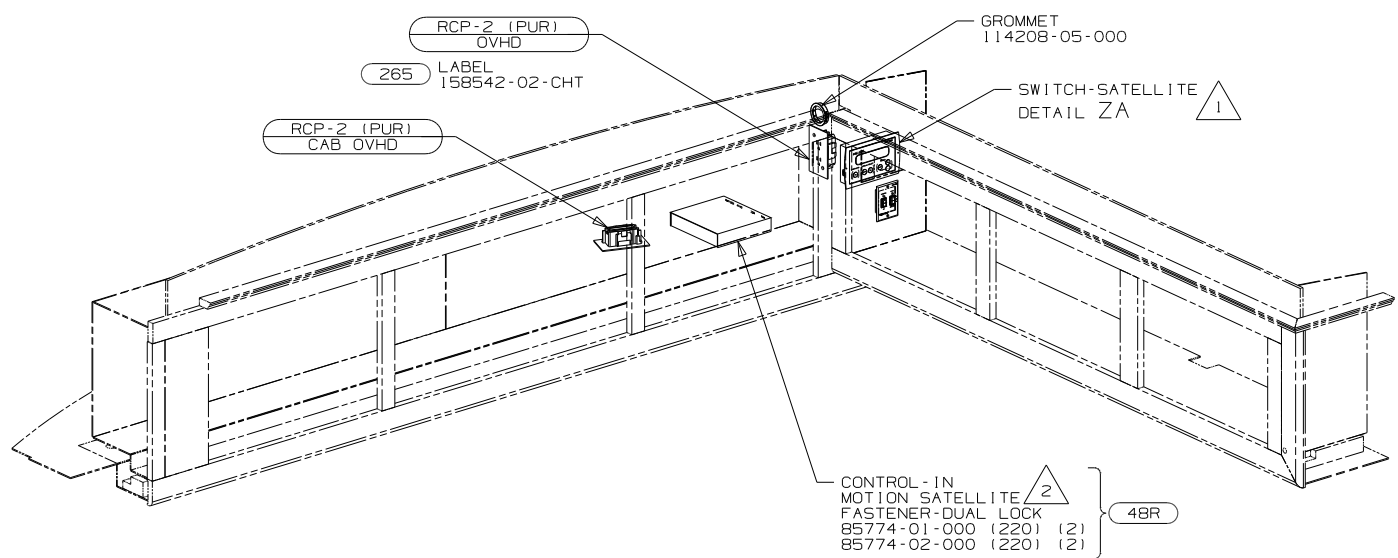
NOTES:

- 2 SEE WIRING INSTL-BODY, 12V FOR ADDITIONAL INFORMATION.
- 1 CABLE ROUTED IN ROOF

- 61E TV (FRONT) - 26" COLOR STEREO
- 265 CODES/STANDARDS - CSA/CMVSS
- 1B1 CODES/STANDARDS USA

FIRST USED		
09 A-BODIES		
DO NOT SCALE DRAWING		
TITLE:		
WIRING INSTL-TV/DVD, SIDE		
SHEET 21	PART NO	REV
	166268	

VIEW YA
M-SERIES WITH 26" JENSEN

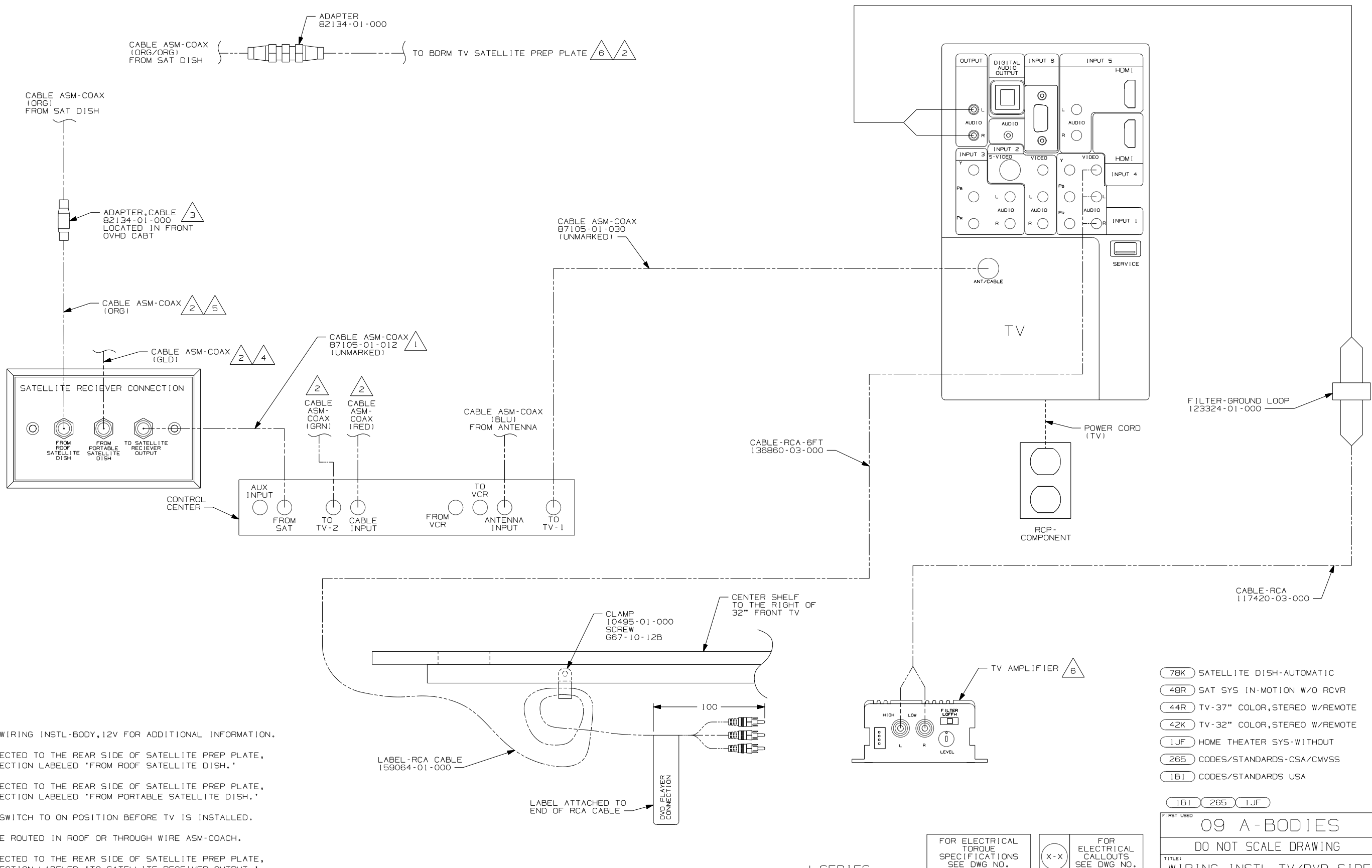


- ID3 ENTERTAIN CENTR/EXT TV-DVD
- 78K SATELLITE TV SYSTEM AUTO
- 48R SAT TV SYSTEM IN-MOTION
- 265 CODES/STANDARDS-CSA/CMVSS
- 1B1 CODES/STANDARDS USA

P34Y	
09 A-BODIES	
DO NOT SCALE DRAWING	
TITLE: WIRING INSTL-TV/DVD, SIDE	
SHEET 22	PART NO 166268

NOTES:
 2 PARTS ARE SUPPLIED WITH SATELLITE KIT 154474-02-000.
 1 SEE ROOF ASM FOR ADDITIONAL INFORMATION.

FOR ELECTRICAL TORQUE SPECIFICATIONS SEE DWG NO. 128783-01-000
 X-X FOR ELECTRICAL CALLOUTS SEE DWG NO. 121339-01-000



- △6 SEE WIRING INSTL-BODY, 12V FOR ADDITIONAL INFORMATION.
- △5 CONNECTED TO THE REAR SIDE OF SATELLITE PREP PLATE, CONNECTION LABELED 'FROM ROOF SATELLITE DISH.'
- △4 CONNECTED TO THE REAR SIDE OF SATELLITE PREP PLATE, CONNECTION LABELED 'FROM PORTABLE SATELLITE DISH.'
- △3 SET SWITCH TO ON POSITION BEFORE TV IS INSTALLED.
- △2 CABLE ROUTED IN ROOF OR THROUGH WIRE ASM-COACH.
- △1 CONNECTED TO THE REAR SIDE OF SATELLITE PREP PLATE, CONNECTION LABELED 'TO SATELLITE RECEIVER OUTPUT.'

NOTES:

FOR ELECTRICAL TORQUE SPECIFICATIONS SEE DWG NO. 128783-01-000

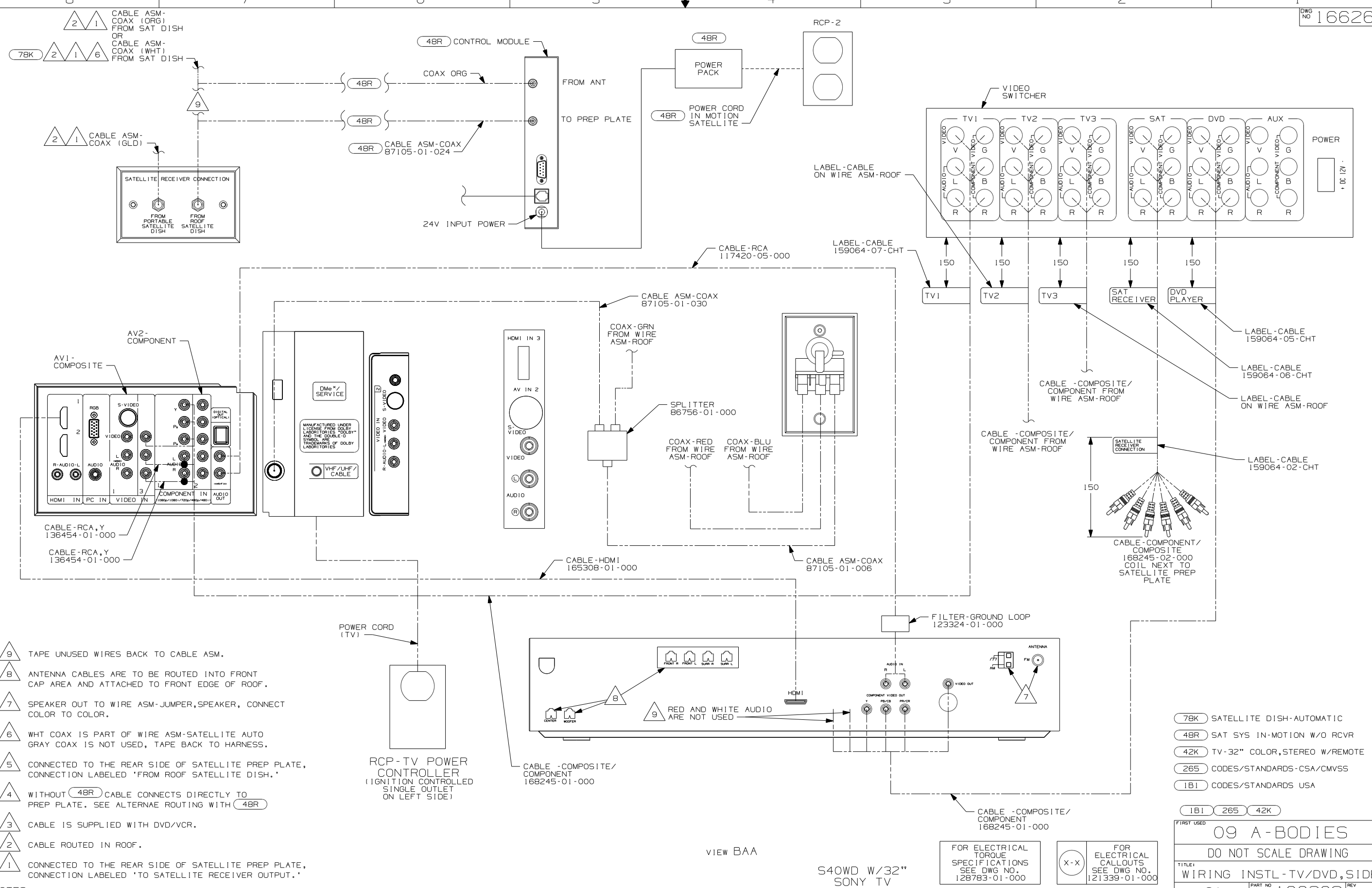
FOR ELECTRICAL CALLOUTS SEE DWG NO. 121339-01-000

- 78K SATELLITE DISH-AUTOMATIC
- 48R SAT SYS IN-MOTION W/O RCVR
- 44R TV-37" COLOR, STEREO W/REMOTE
- 42K TV-32" COLOR, STEREO W/REMOTE
- 1JF HOME THEATER SYS-WITHOUT
- 265 CODES/STANDARDS-CSA/CMVSS
- 1B1 CODES/STANDARDS USA

FIRST USED		
09 A-BODIES		
DO NOT SCALE DRAWING		
TITLE:		
WIRING INSTL-TV/DVD, SIDE		
SHEET 23	PART NO	REV
	166268	

VIEW AAA

J-SERIES W/O DVD PLAYER



- NOTES:
- 9 TAPE UNUSED WIRES BACK TO CABLE ASM.
 - 8 ANTENNA CABLES ARE TO BE ROUTED INTO FRONT CAP AREA AND ATTACHED TO FRONT EDGE OF ROOF.
 - 7 SPEAKER OUT TO WIRE ASM-JUMPER, SPEAKER, CONNECT COLOR TO COLOR.
 - 6 WHT COAX IS PART OF WIRE ASM-SATELLITE AUTO GRAY COAX IS NOT USED, TAPE BACK TO HARNESS.
 - 5 CONNECTED TO THE REAR SIDE OF SATELLITE PREP PLATE, CONNECTION LABELED 'FROM ROOF SATELLITE DISH.'
 - 4 WITHOUT (48R) CABLE CONNECTS DIRECTLY TO PREP PLATE. SEE ALTERNAE ROUTING WITH (48R)
 - 3 CABLE IS SUPPLIED WITH DVD/VCR.
 - 2 CABLE ROUTED IN ROOF.
 - 1 CONNECTED TO THE REAR SIDE OF SATELLITE PREP PLATE, CONNECTION LABELED 'TO SATELLITE RECEIVER OUTPUT.'

- (78K) SATELLITE DISH-AUTOMATIC
- (48R) SAT SYS IN-MOTION W/O RCVR
- (42K) TV-32" COLOR, STEREO W/REMOTE
- (265) CODES/STANDARDS-CSA/CMVSS
- (1B1) CODES/STANDARDS USA

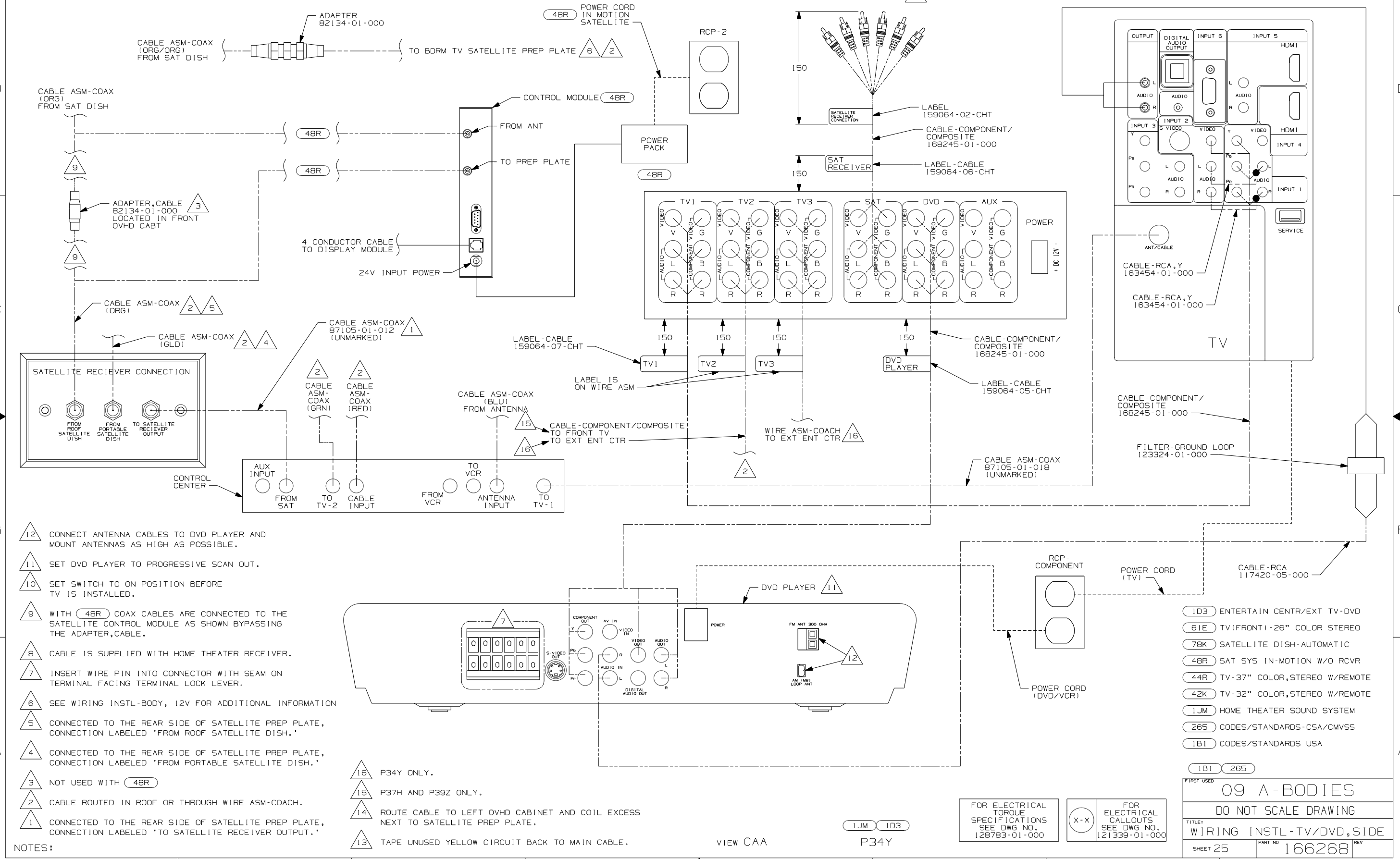
FIRST USED	09 A-BODIES
TITLE:	DO NOT SCALE DRAWING
	WIRING INSTL-TV/DVD, SIDE
SHEET 24	PART NO 166268 REV

FOR ELECTRICAL TORQUE SPECIFICATIONS SEE DWG NO. 128783-01-000

(X-X) FOR ELECTRICAL CALLOUTS SEE DWG NO. 121339-01-000

VIEW BAA

S40WD W/32" SONY TV



- NOTES:
- △12 CONNECT ANTENNA CABLES TO DVD PLAYER AND MOUNT ANTENNAS AS HIGH AS POSSIBLE.
 - △11 SET DVD PLAYER TO PROGRESSIVE SCAN OUT.
 - △10 SET SWITCH TO ON POSITION BEFORE TV IS INSTALLED.
 - △9 WITH (48R) COAX CABLES ARE CONNECTED TO THE SATELLITE CONTROL MODULE AS SHOWN BYPASSING THE ADAPTER, CABLE.
 - △8 CABLE IS SUPPLIED WITH HOME THEATER RECEIVER.
 - △7 INSERT WIRE PIN INTO CONNECTOR WITH SEAM ON TERMINAL FACING TERMINAL LOCK LEVER.
 - △6 SEE WIRING INSTL-BODY, 12V FOR ADDITIONAL INFORMATION
 - △5 CONNECTED TO THE REAR SIDE OF SATELLITE PREP PLATE, CONNECTION LABELED 'FROM ROOF SATELLITE DISH.'
 - △4 CONNECTED TO THE REAR SIDE OF SATELLITE PREP PLATE, CONNECTION LABELED 'FROM PORTABLE SATELLITE DISH.'
 - △3 NOT USED WITH (48R)
 - △2 CABLE ROUTED IN ROOF OR THROUGH WIRE ASM-COACH.
 - △1 CONNECTED TO THE REAR SIDE OF SATELLITE PREP PLATE, CONNECTION LABELED 'TO SATELLITE RECEIVER OUTPUT.'

- △16 P34Y ONLY.
- △15 P37H AND P39Z ONLY.
- △14 ROUTE CABLE TO LEFT OVHD CABINET AND COIL EXCESS NEXT TO SATELLITE PREP PLATE.
- △13 TAPE UNUSED YELLOW CIRCUIT BACK TO MAIN CABLE.

- (1D3) ENTERTAIN CENTR/EXT TV-DVD
- (61E) TV(FRONT)-26" COLOR STEREO
- (78K) SATELLITE DISH-AUTOMATIC
- (48R) SAT SYS IN-MOTION W/O RCVR
- (44R) TV-37" COLOR, STEREO W/REMOTE
- (42K) TV-32" COLOR, STEREO W/REMOTE
- (1JM) HOME THEATER SOUND SYSTEM
- (265) CODES/STANDARDS-CSA/CMVSS
- (1B1) CODES/STANDARDS USA

FOR ELECTRICAL TORQUE SPECIFICATIONS SEE DWG NO. 128783-01-000

(X-X) FOR ELECTRICAL CALLOUTS SEE DWG NO. 121339-01-000

FIRST USED

09 A-BODIES

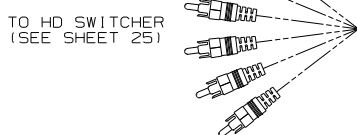
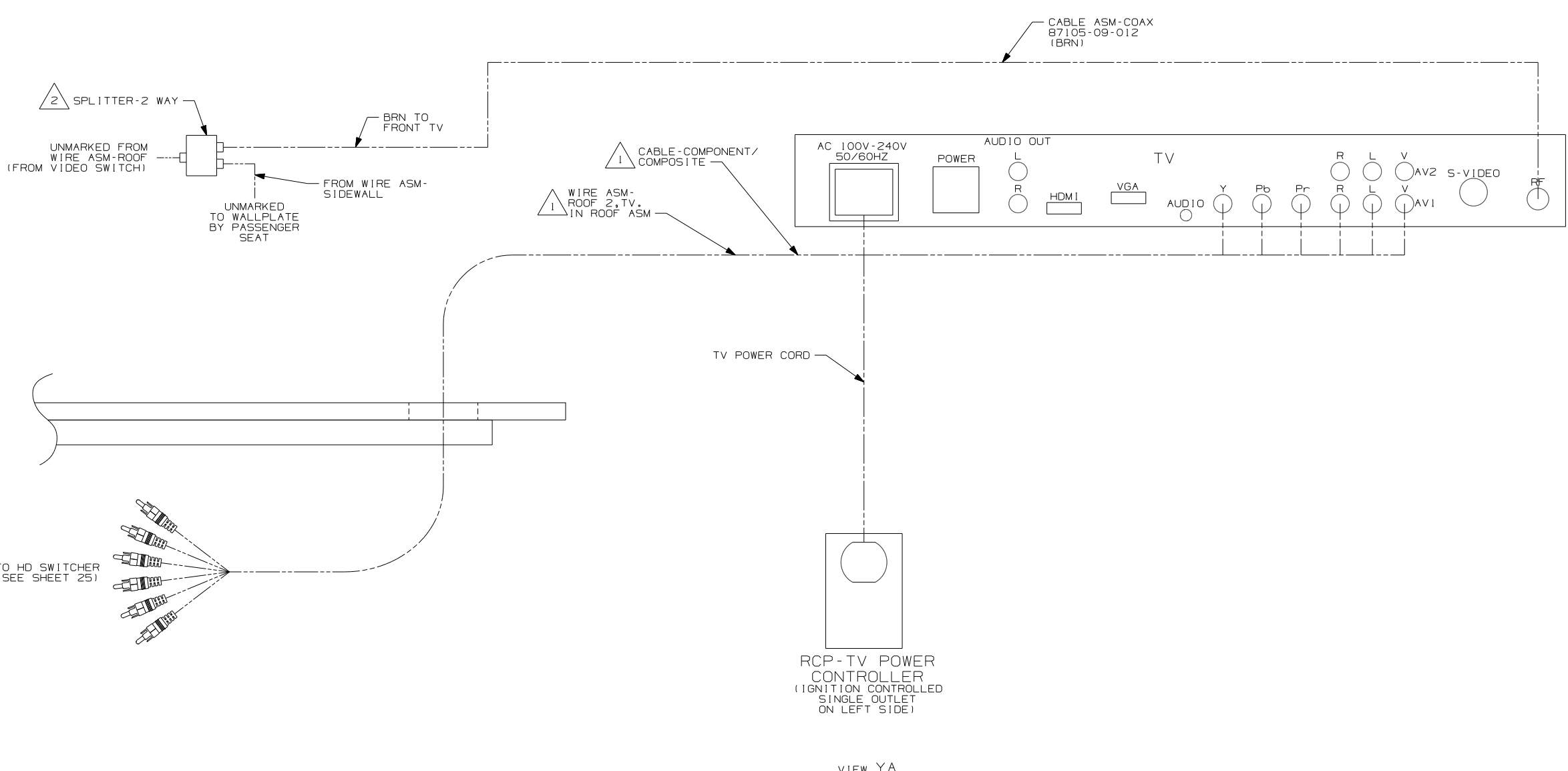
DO NOT SCALE DRAWING

TITLE: **WIRING INSTL-TV/DVD, SIDE**

SHEET 25 PART NO 166268 REV

1 5/1/2009

VIEW CAA P34Y



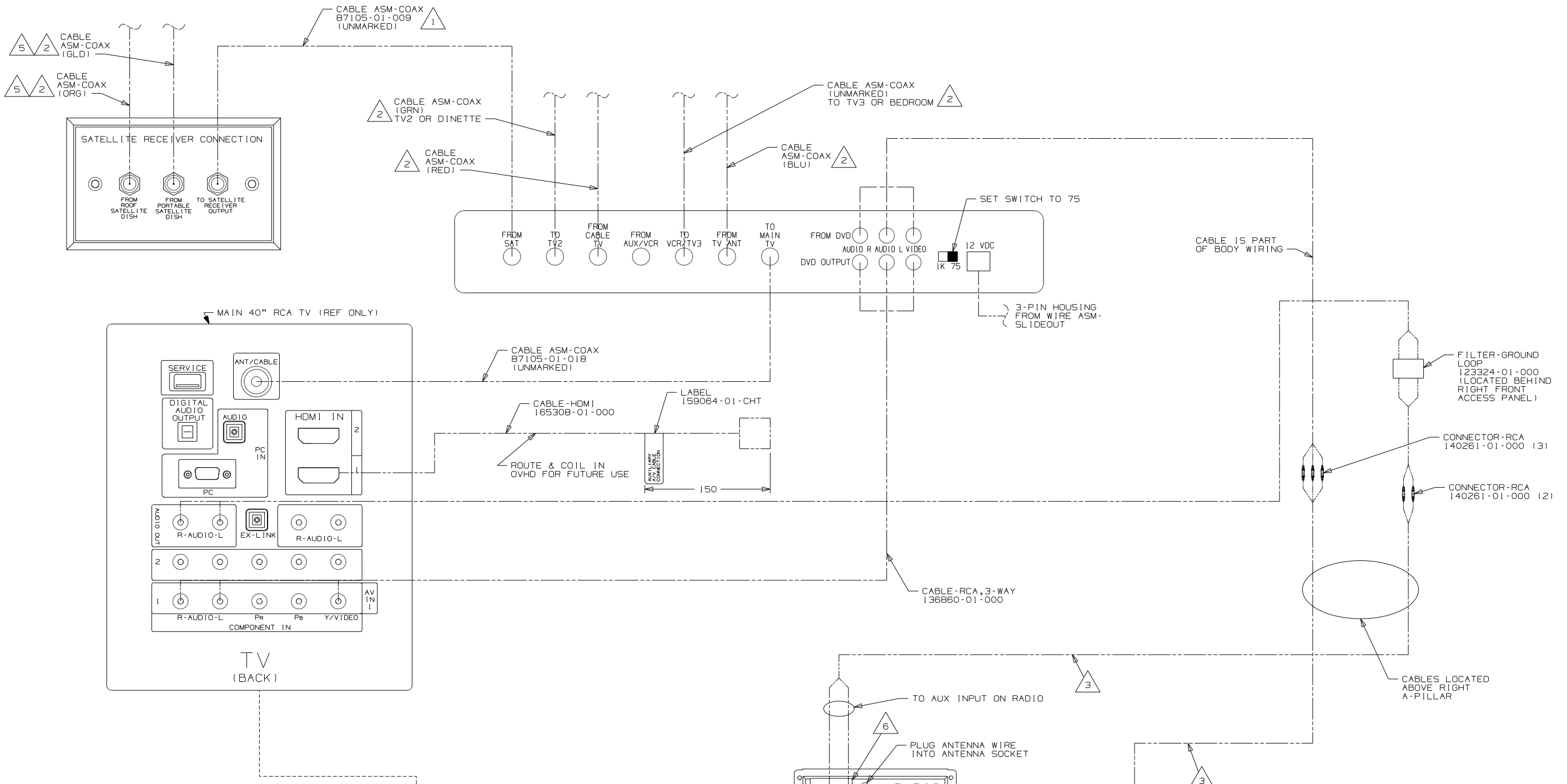
NOTES:

- 2 SEE WIRING INSTL-BODY, 12V FOR ADDITIONAL INFORMATION.
- 1 CABLE ROUTED IN ROOF

61E TV (FRONT) - 26" COLOR STEREO
 265 CODES/STANDARDS - CSA/CMVSS
 1B1 CODES/STANDARDS USA

1B1	265	61E
FIRST USED		
09 A-BODIES		
DO NOT SCALE DRAWING		
TITLE:		
WIRING INSTL-TV/DVD, SIDE		
SHEET 26	PART NO 166268	REV

P-SERIES WITH 26" JENSEN



- NOTES:
- 6 CONNECT CABLE-RCA TO RADIO 'AUX INPUT' CONNECTION.
 - 5 CONNECTED TO THE REAR SIDE OF SATELLITE PREP PLATE, CONNECTION LABELED "FROM ROOF SATELLITE DISH".
 - 4 SEE RADIO INSTL FOR ADDITIONAL INFORMATION.
 - 3 CABLE IS PART OF WIRE ASM-IP,MAIN.
 - 2 CABLE IS PART OF WIRE ASM-SLIDEOUT.
 - 1 CONNECTED TO THE REAR SIDE OF SATELLITE PREP PLATE, CONNECTION LABELED "TO SATELLITE RECEIVER OUTPUT".

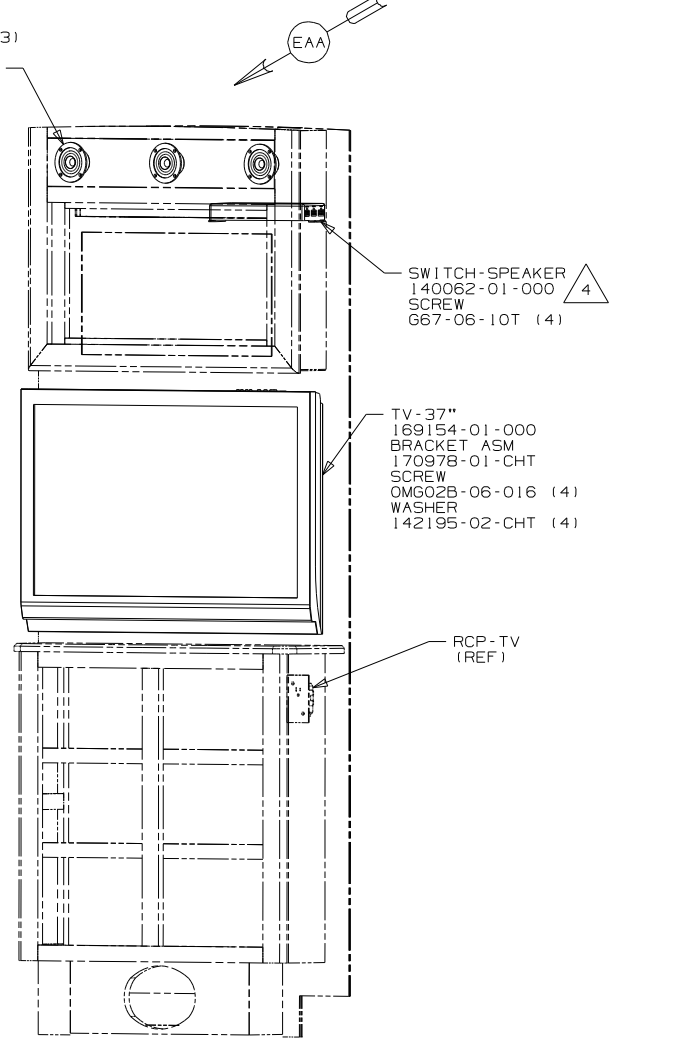
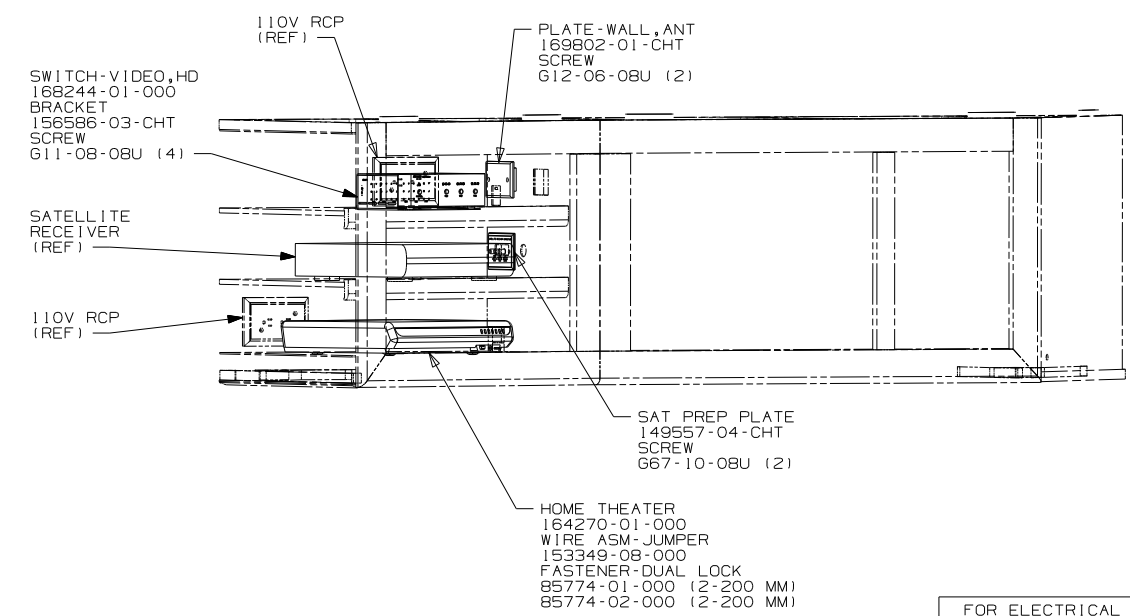
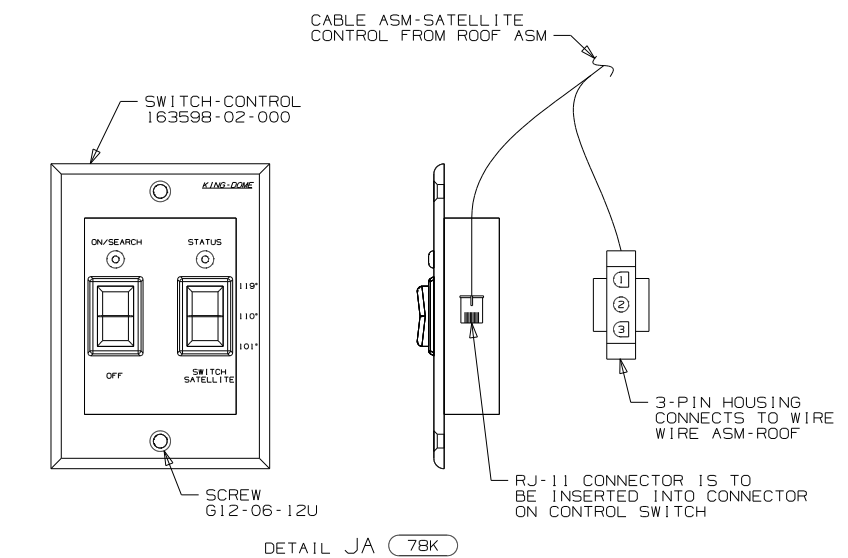
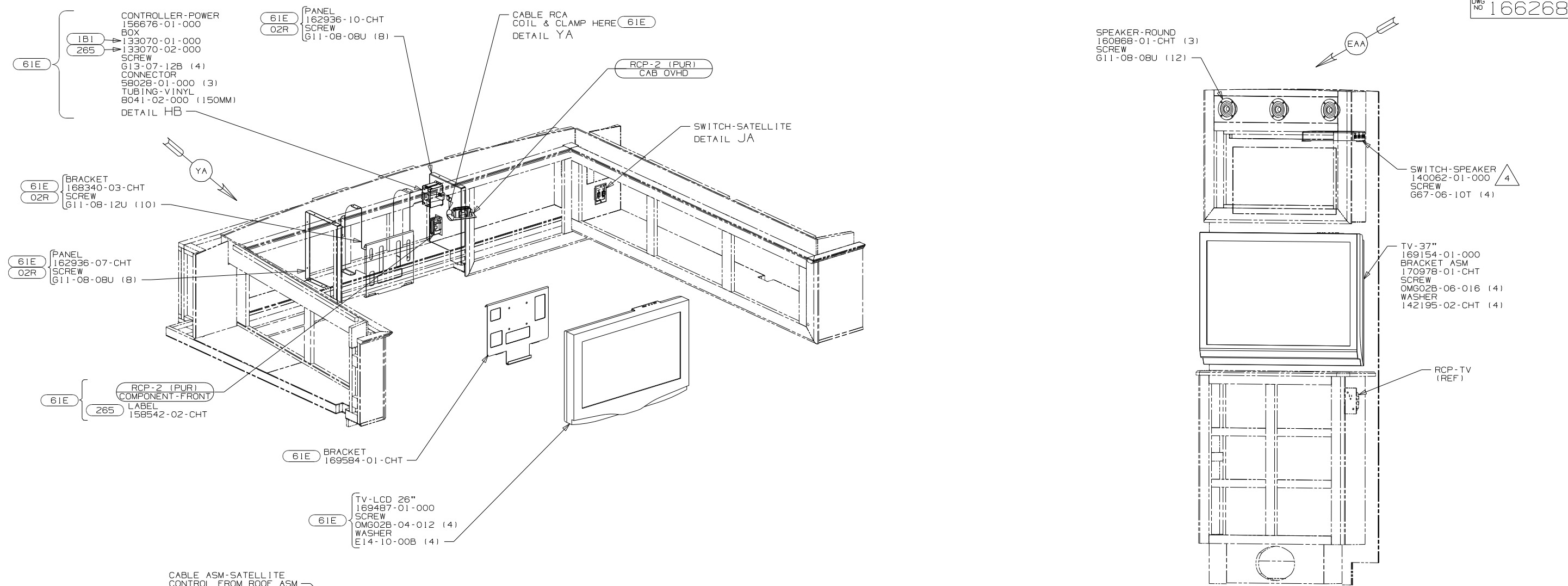
- 1LK TV-19"DC,COLOR,LCD W/REMOTE
- 44R TV-37" COLOR,STEREO W/REMOTE
- 265 CODES/STANDARDS-CSA/CMVSS
- 1B1 CODES/STANDARDS USA

FIRST USED	
09 A-BODIES	
DO NOT SCALE DRAWING	
TITLE:	
WIRING INSTL-TV/DVD,SIDE	
SHEET 27	PART NO 166268

FOR ELECTRICAL TORQUE SPECIFICATIONS SEE DWG NO. 128783-01-000

FOR ELECTRICAL CALLOUTS SEE DWG NO. 121339-01-000

DETAIL DAA D37L



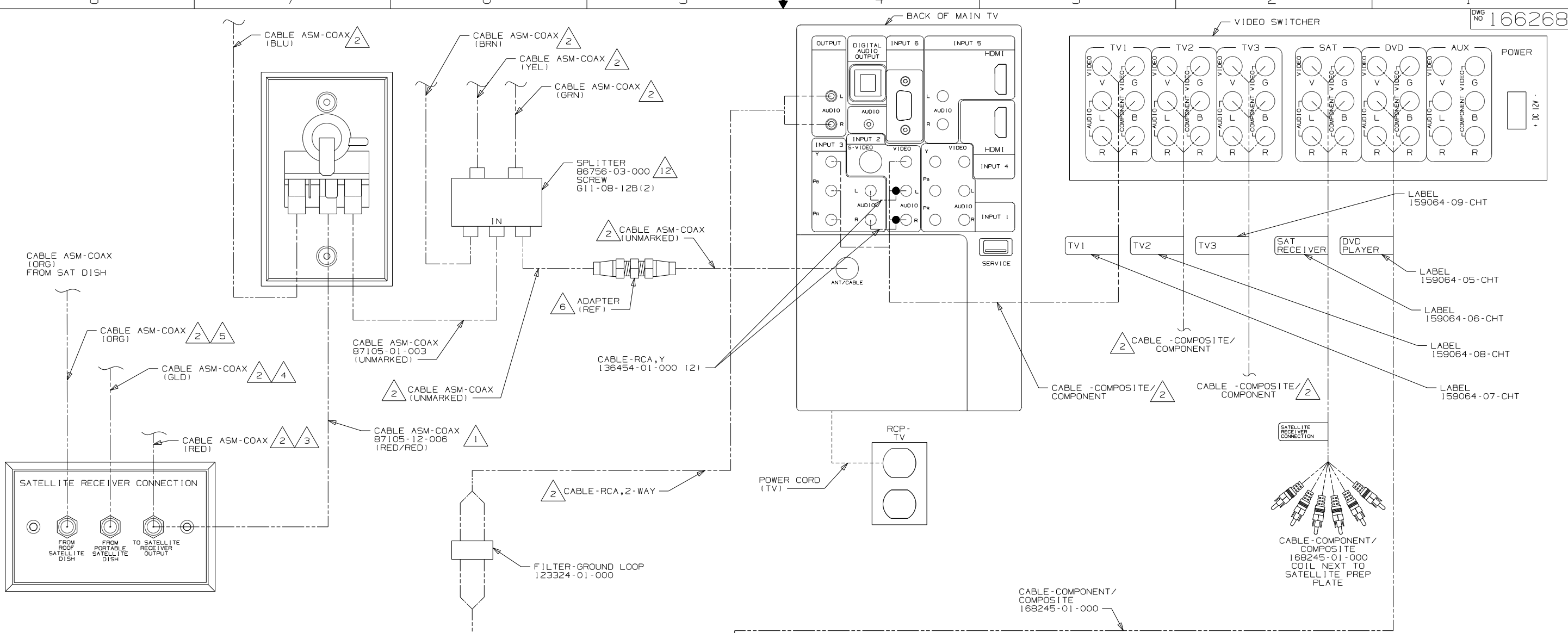
- NOTES:
- 4 MOUNT TO TOP OF MEDICINE CABINET BEHIND MAKEUP LIGHT
 - 3 WITHOUT 61E
 - 2 PARTS ARE SUPPLIED WITH SATELLITE KIT 154474-02-000.
 - 1 SEE ROOF ASM FOR ADDITIONAL INFORMATION.

FOR ELECTRICAL TORQUE SPECIFICATIONS SEE DWG NO. 128783-01-000

X-X FOR ELECTRICAL CALLOUTS SEE DWG NO. 121339-01-000

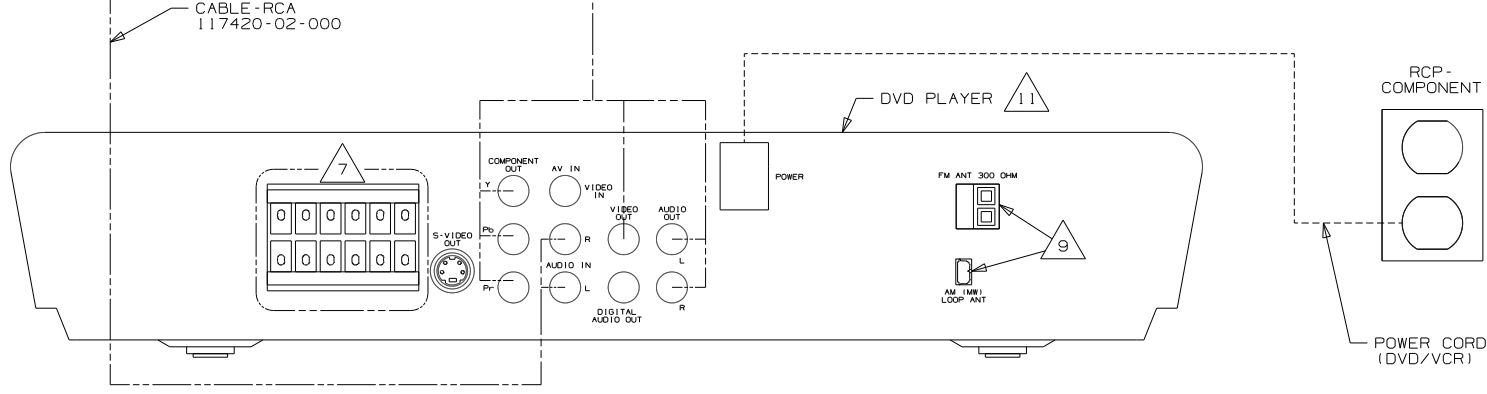
- 61E TV(FRONT)-26" COLOR STEREO
- 78K SATELLITE TV SYSTEM AUTO
- 44R TV-37" COLOR, STEREO W/REMOTE
- 1JM HOME THEATER SOUND SYSTEM
- 79H ENTERTAINMENT CTR-INTERIOR
- 265 CODES/STANDARDS-CSA/CMVSS
- 1B1 CODES/STANDARDS USA

FIRST USED		M39N	
09 A-BODIES			
DO NOT SCALE DRAWING			
TITLE: WIRING INSTL-TV/DVD, SIDE			
SHEET 28	PART NO	166268	REV



- 12 LOCATED IN LOUNGE OVHD BEHIND DVD PLAYER.
- 11 SET DVD PLAYER TO PROGRESSIVE SCAN OUT.
- 10 SET SWITCH TO ON POSITION BEFORE TV IS INSTALLED.
- 9 CONNECT ANTENNA CABLES TO DVD PLAYER AND MOUNT ANTENNAS AS HIGH AS POSSIBLE.
- 8 CABLE IS SUPPLIED WITH HOME THEATER RECEIVER.
- 7 INSERT WIRE PIN INTO CONNECTOR WITH SEAM ON TERMINAL FACING TERMINAL LOCK LEVER.
- 6 SEE WIRING INSTL-BODY, 12V FOR ADDITIONAL INFORMATION
- 5 CONNECTED TO THE REAR SIDE OF SATELLITE PREP PLATE, CONNECTION LABELED 'FROM ROOF SATELLITE DISH.'
- 4 CONNECTED TO THE REAR SIDE OF SATELLITE PREP PLATE, CONNECTION LABELED 'FROM PORTABLE SATELLITE DISH.'
- 3 CONNECTED TO FRONT SIDE OF SATELLITE PREP PLATE, CONNECTION LABELED "TO SATELLITE RECEIVER OUTPUT".
- 2 CABLE ROUTED IN ROOF, SIDEWALL, OR WIRE ASM-COACH.
- 1 CONNECTED TO THE REAR SIDE OF SATELLITE PREP PLATE, CONNECTION LABELED 'TO SATELLITE RECEIVER OUTPUT.'

NOTES:



VIEW EEA (1JM)
M39N

FOR ELECTRICAL TORQUE SPECIFICATIONS SEE DWG NO. 128783-01-000

FOR ELECTRICAL CALLOUTS SEE DWG NO. 121339-01-000

- 61E TV (FRONT) - 26" COLOR STEREO
- 78K SATELLITE DISH - AUTOMATIC
- 1JM HOME THEATER SOUND SYSTEM
- 265 CODES/STANDARDS - CSA/CMVSS
- 1B1 CODES/STANDARDS USA

FIRST USED	
09 A-BODIES	
DO NOT SCALE DRAWING	
TITLE:	
WIRING INSTL-TV/DVD, SIDE	
SHEET 29	PART NO 166268 REV