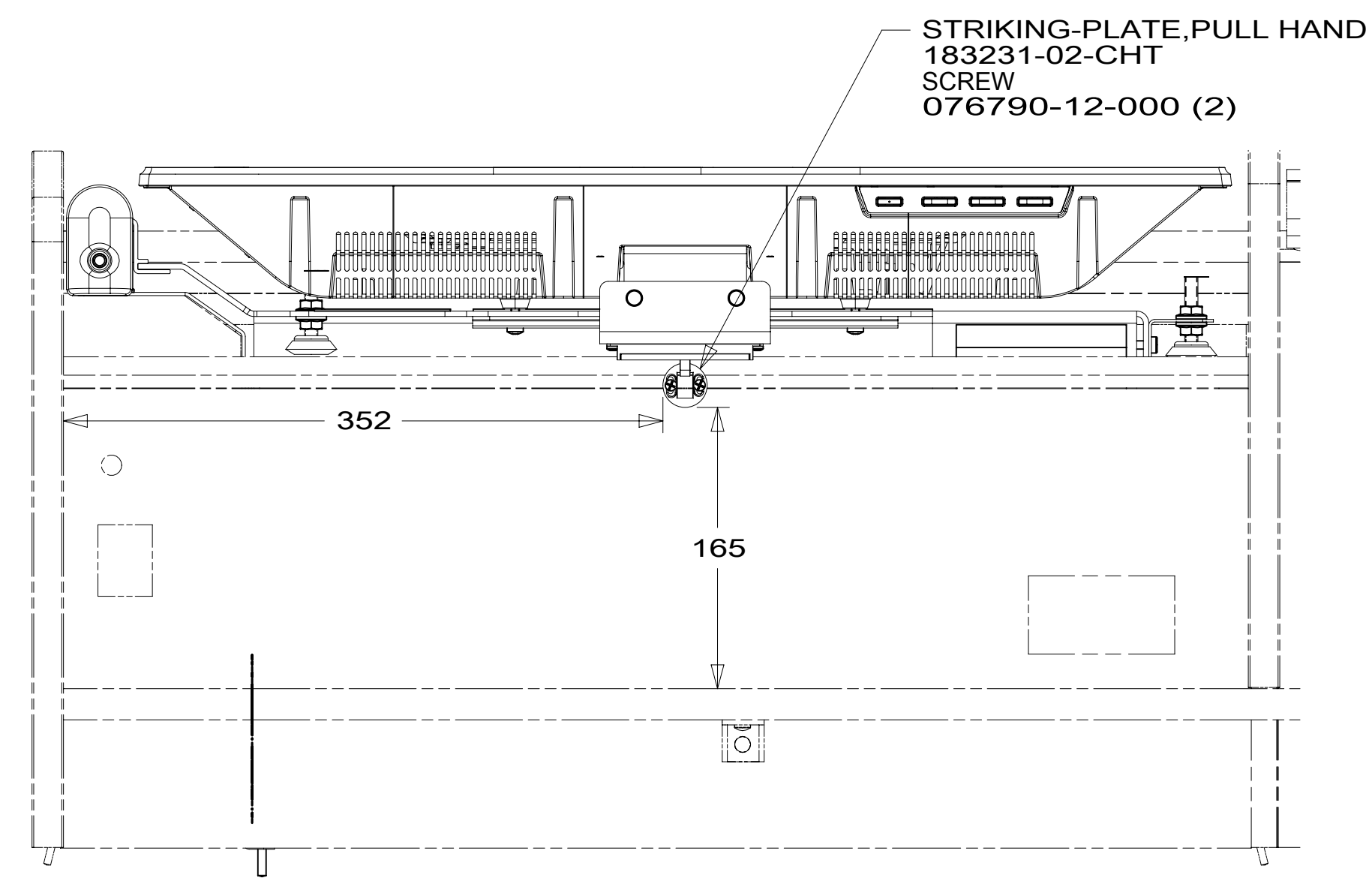
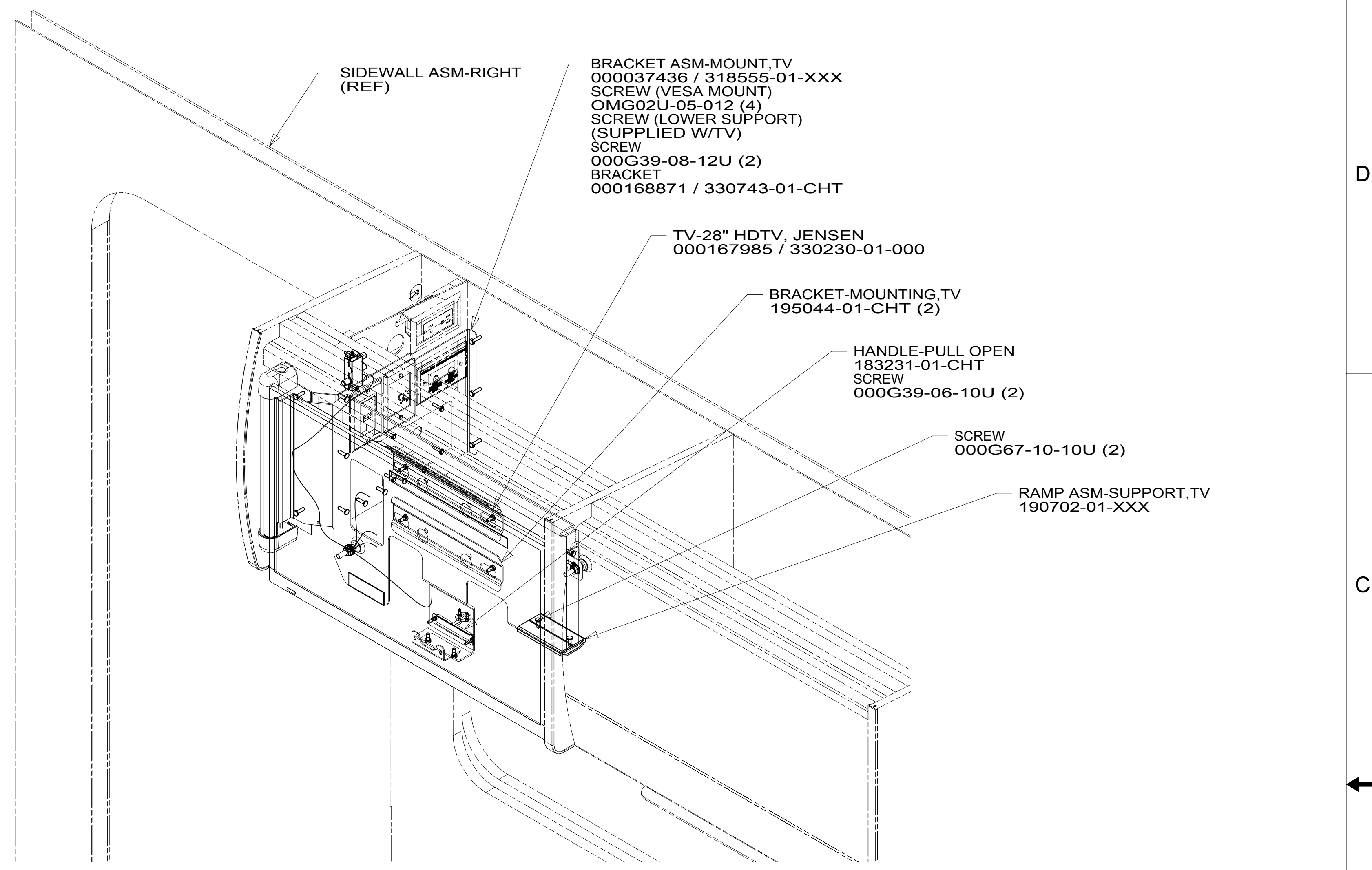
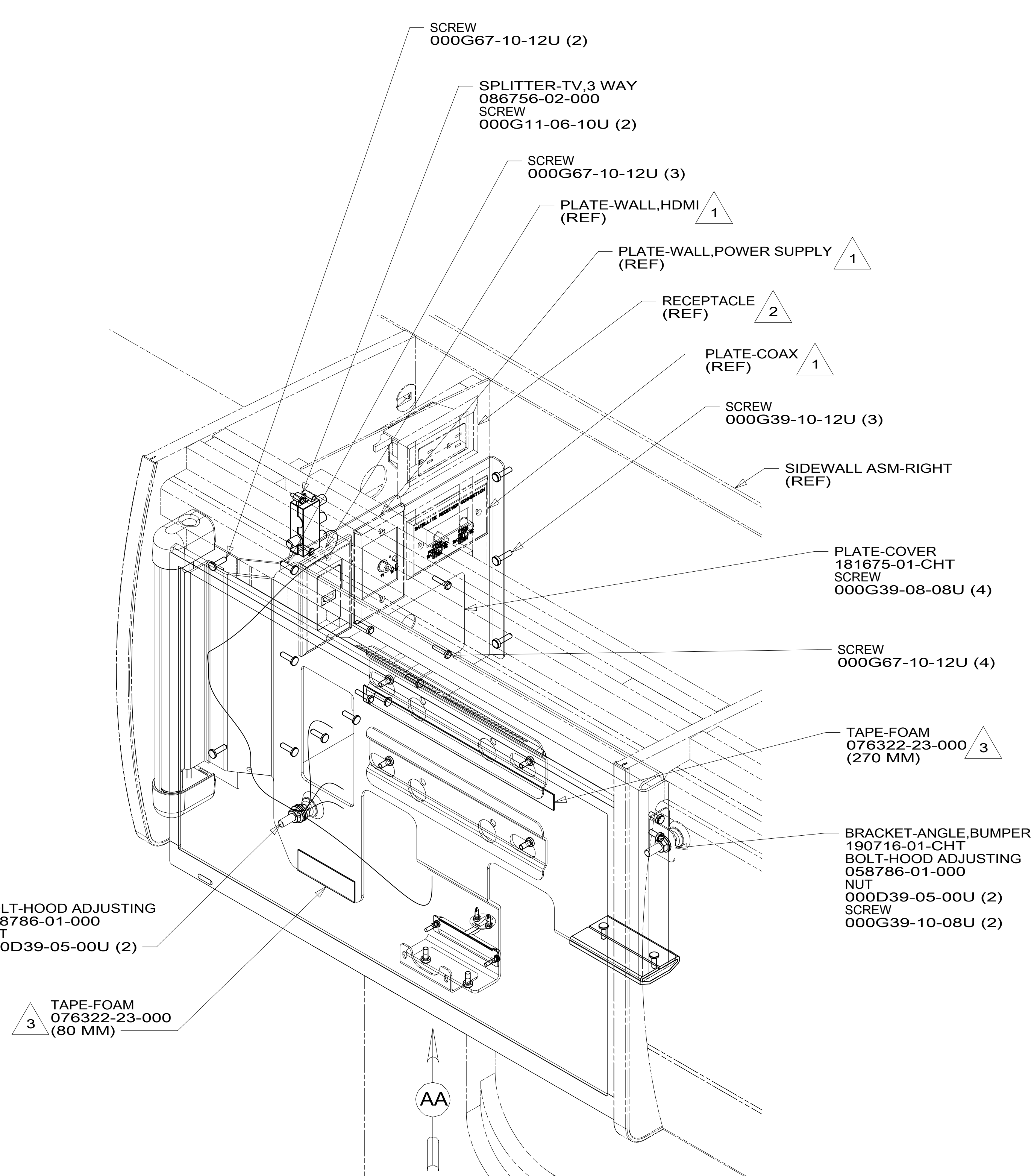


8 7 6 5 4 3 2 1

D
C
B
A



VIEW AA

FOR ELECTRICAL TORQUE SPECIFICATIONS SEE DWG NO. 128783-01-000

FOR ELECTRICAL CALLOUTS SEE DWG NO. 121339-01-000

- 265 CODES/STANDARDS-CSA/CMVSS
- 1B1 CODES/STANDARDS USA
- 1B1 265



DSNR:	ALL DIMENSIONS ARE IN MILLIMETERS	
DFFR:		
UNSPECIFIED TOLERANCES:	MATERIAL:	
WHOLE DIM (X) : 3		
ONE-PLACE (X.X) : 1.5		
TWO-PLACE (X.XX) : 0.50		
ANGLE : 1°		
REFER TO ES0018 FOR FASTENER TIGHTENING GUIDELINES	WEIGHT: (LBS)	FIRST USED: 18 524J

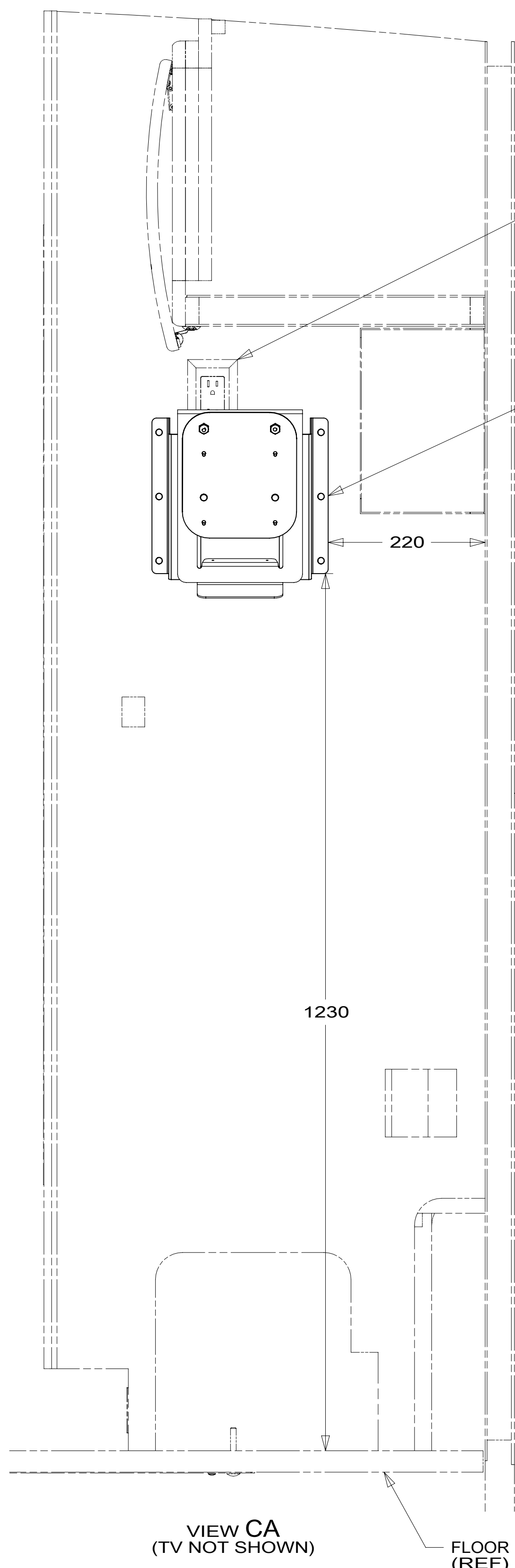
DESCRIPTION: WIRING INSTL-TV/DVD		
SHEET: 1 OF 3	ITEM/PART NO: 000120858 / 32285701000	REV:

- NOTES:
- 3 PREP BOTH SURFACES WITH ADHESIVE-PROMOTER, 087211-01-000.
 - 2 SEE WIRING INSTL-BODY,110V FOR ADDITIONAL INFORMATION.
 - 1 SEE WIRING INSTL-BODY,12V FOR ADDITIONAL INFORMATION.

8 7 6 5 4 3 2 1 15-Aug-2018

8 7 6 5 4 3 2 1

D
C
B
A



RECEPTACLE
(REFERENCE) 1

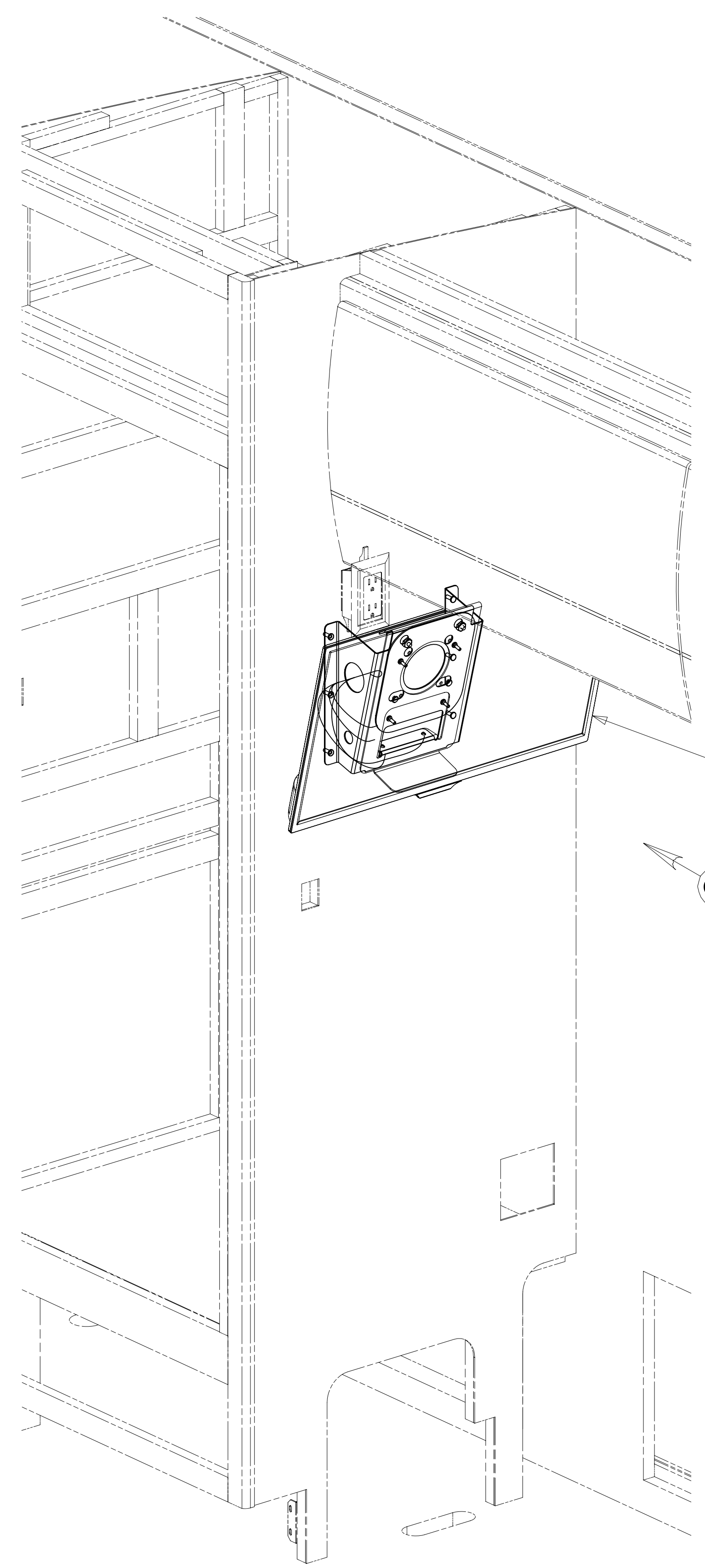
BRACKET-TV
000033447 / 317570-01-CHT
SCREW
000G11-10-10U (6)

SIDEWALL
(REF)

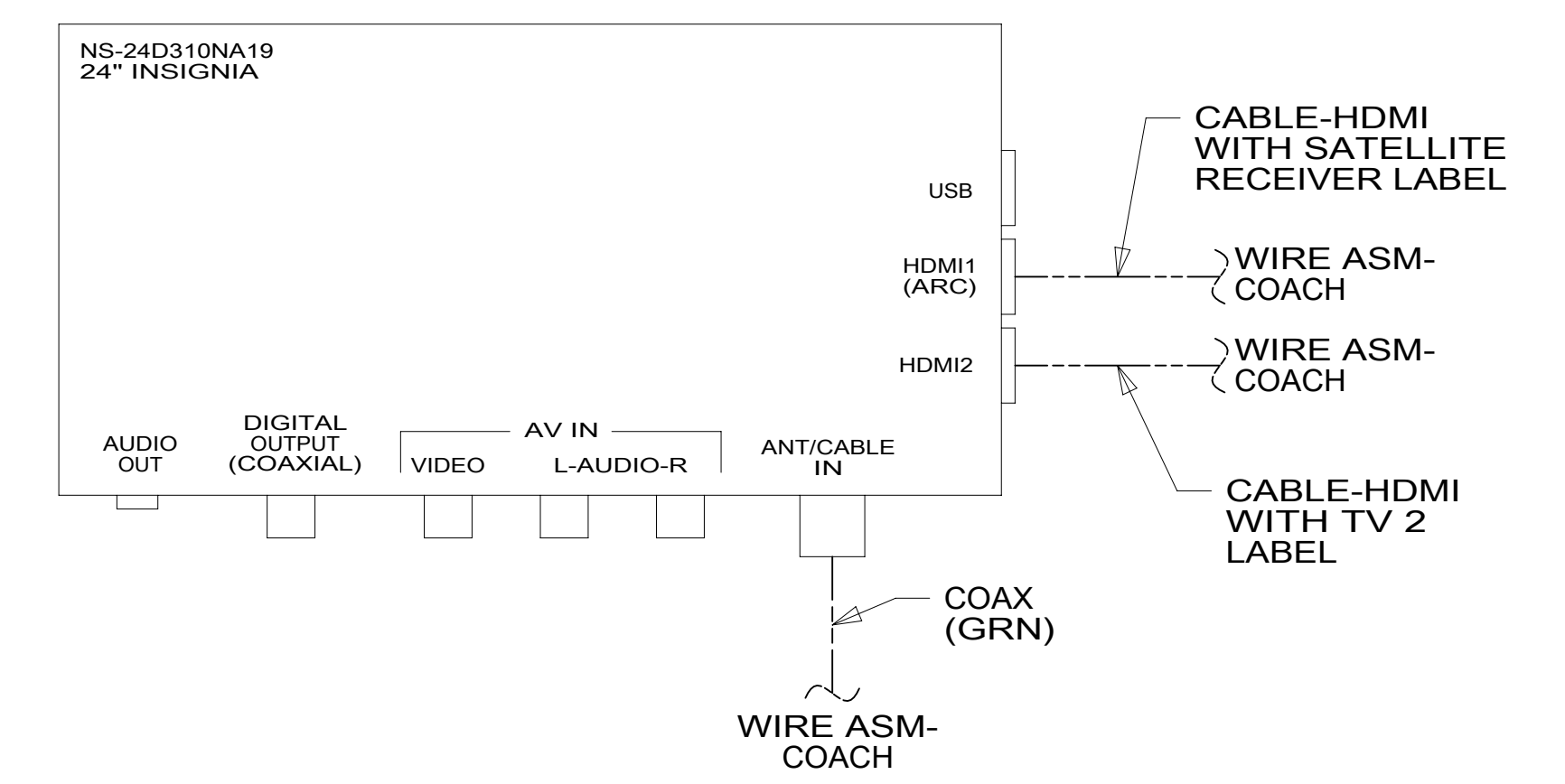
1230

VIEW CA
(TV NOT SHOWN)

FLOOR
(REF)



TV-24" HDTV, INSIGNIA
000167921 / 330227-01-000
PLATE ASM
000168018 / 330250-01-CHT
NUT
000D65-08-00U (2)
SCREW
000G19-10-10U (2)
PLATE-MOUNTING
000032972 / 317364-01-CHT
SCREW
0MG02U-04-12U (4)
WASHER
0ME02U-04-071 (4)
DETAIL CB



VIEW CB

- 68X TV - BEDROOM
- 265 CODES/STANDARDS-CSA/CMVSS
- 1B1 CODES/STANDARDS USA

FOR ELECTRICAL
TORQUE
SPECIFICATIONS
SEE DWG NO.
128783-01-000

FOR
ELECTRICAL
CALLOUTS
SEE DWG NO.
121339-01-000

DESCRIPTION:	1B1 265 68X	
WIRING INSTL-TV/DVD		
SHEET:	ITEM/PART NO:	REV
3 OF 3	000120858 / 32285701000	

1 SEE WIRING INSTL-BODY, 110V FOR ADDITIONAL INFORMATION.

8 7 6 5 4 3 2 1 15-Aug-2018