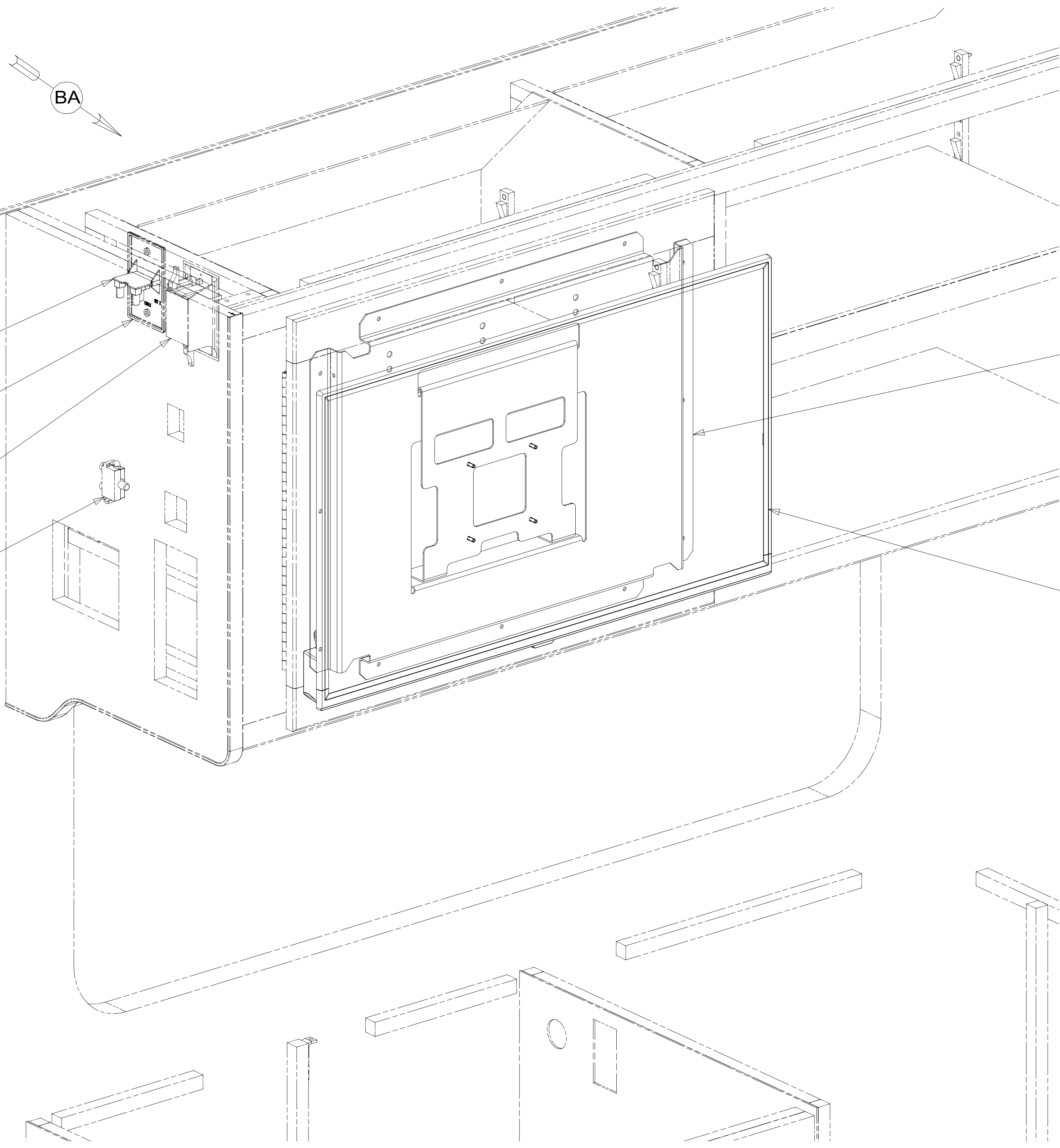


8 7 6 5 4 3 2 1

D
C
B
A



- 1 ANTENNA POWER BOOST (REF)
- 1 PLATE-WALL, POWER SUPPLY (REF)
- 2 110V RCP (REF)
- 1 SPLITTER-TV, 2 WAY (REF)

- BRACKET-TV, DOOR MOUNT
000157924 / 327286-01-CHT
SCREW
G67-10-12U (12)
PLATE-MNTNG, TV, 32" ATYME
000173701 / 332090-01-CHT
SCREW
G39-10-12U (2)

- TV-32" HDTV, ATYME
000167368 / 330096-01-000
SCREW
0MG02U-04-012 (4)
WASHER-LOCK
0ME02U-04-071 (4)
TAPE-FOAM
076322-22-000 (80 MM)(2)
TAPE-FOAM
076322-23-000 (150 MM) 3

- 3 PREP BOTH SURFACES WITH ADHESIVE-PROMOTER 087211-01-000.
- 2 SEE WIRING INSTL-BODY, 110V FOR ADDITIONAL INFORMATION.
- 1 SEE WIRING INSTL-BODY, 12V FOR ADDITIONAL INFORMATION.

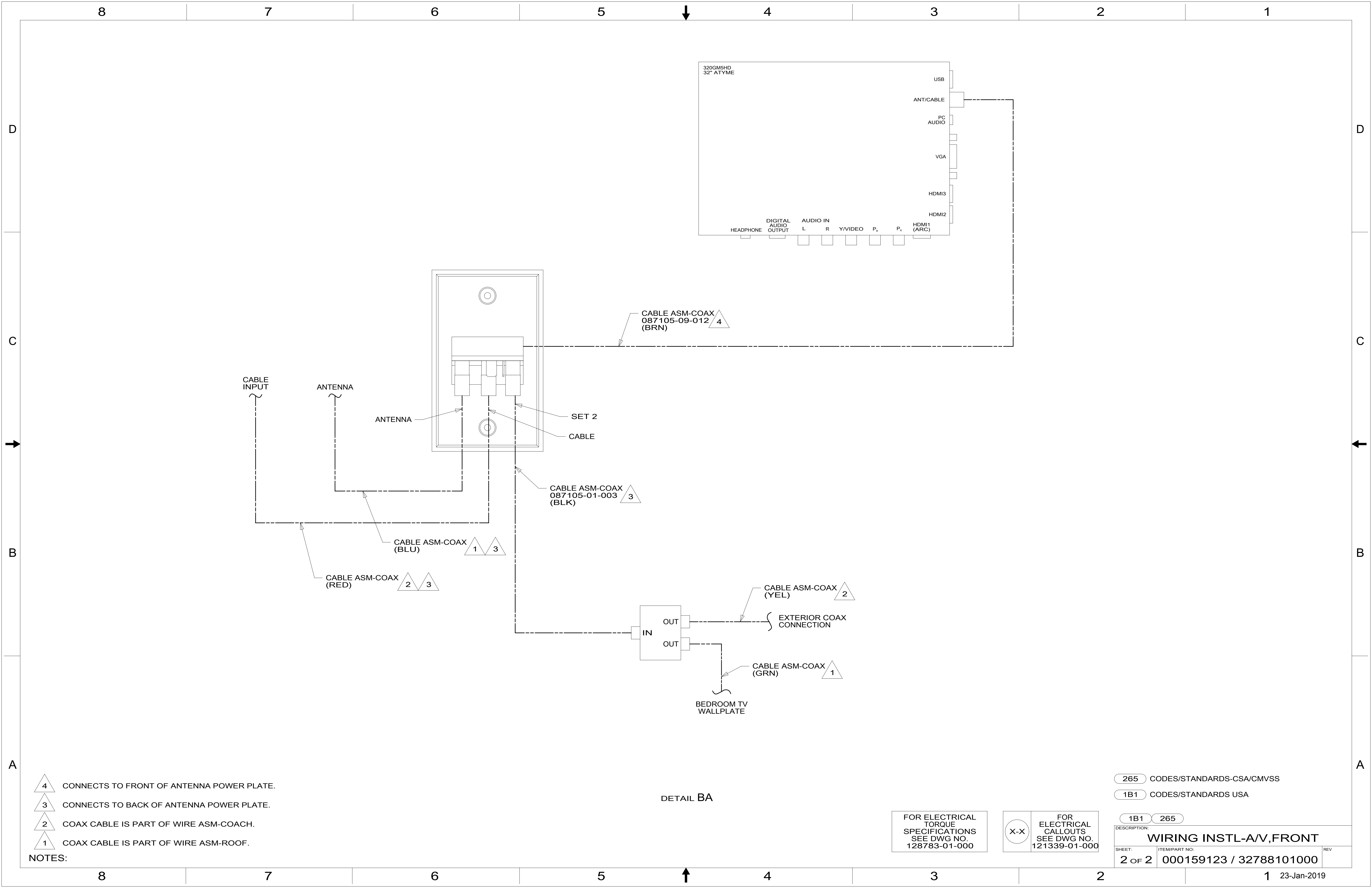
FOR ELECTRICAL TORQUE SPECIFICATIONS SEE DWG NO. 128783-01-000

FOR ELECTRICAL CALLOUTS SEE DWG NO. 121339-01-000

- 265 CODES/STANDARDS-CSA/CMVSS
- 1B1 CODES/STANDARDS USA
- 1B1 265



DSNR:		ALL DIMENSIONS ARE IN MILLIMETERS	
DFFR:		MATERIAL:	
UNSPECIFIED TOLERANCES:			
WHOLE DIM (X)	: 3		
ONE-PLACE (X.X)	: 1.5		
TWO-PLACE (X.XX)	: 0.50		
ANGLE	: 1°		
REFER TO ES0018 FOR FASTENER TIGHTENING GUIDELINES		WEIGHT: (LBS)	FIRST USED:
DESCRIPTION:		19 C-SER	
WIRING INSTL-AV, FRONT			
SHEET:	ITEM/PART NO.:	REV:	
1 OF 2	000159123 / 32788101000		



- NOTES:
- 4 CONNECTS TO FRONT OF ANTENNA POWER PLATE.
 - 3 CONNECTS TO BACK OF ANTENNA POWER PLATE.
 - 2 COAX CABLE IS PART OF WIRE ASM-COACH.
 - 1 COAX CABLE IS PART OF WIRE ASM-ROOF.

DETAIL BA

FOR ELECTRICAL TORQUE SPECIFICATIONS SEE DWG NO. 128783-01-000

FOR ELECTRICAL CALLOUTS SEE DWG NO. 121339-01-000

265 CODES/STANDARDS-CSA/CMVSS
 1B1 CODES/STANDARDS USA

DESCRIPTION:	
WIRING INSTL-A/V,FRONT	
SHEET:	ITEM/PART NO. REV
2 OF 2	000159123 / 32788101000